



Spare parts for:

Bar equipment



Suitable for:

HAMILTON BEACH



This catalogue is automatically generated.
Therefore, the sequence of the items might
not be always shown at best.
Updates will be issued in case of additions
and/or amendments.

*Suitable **universal spare parts** may not be included*

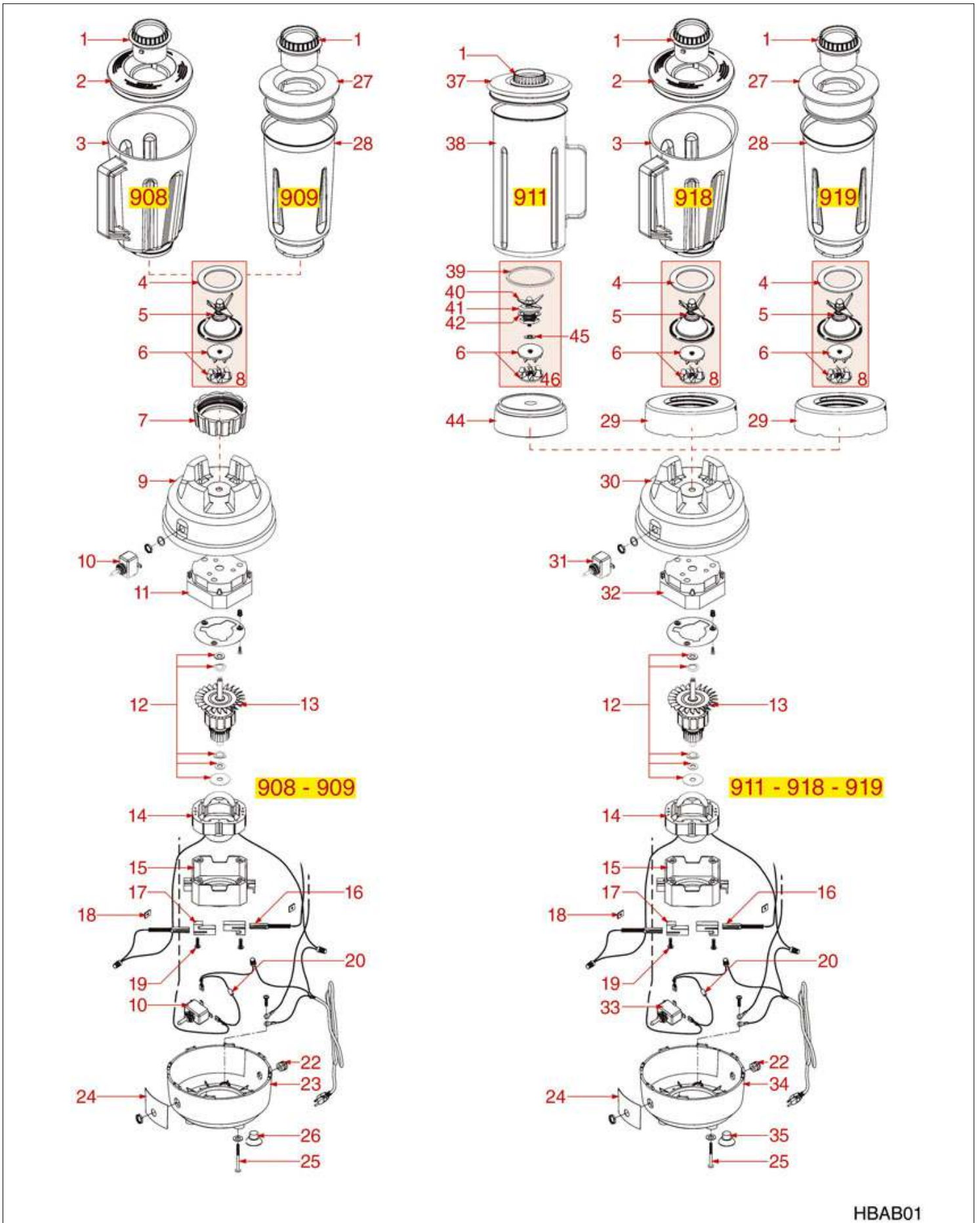




HAMILTON BEACH



BLENDER 908-909-911-918-919



HBAB01

Positions without LF code no.: upon request



HAMILTON BEACH



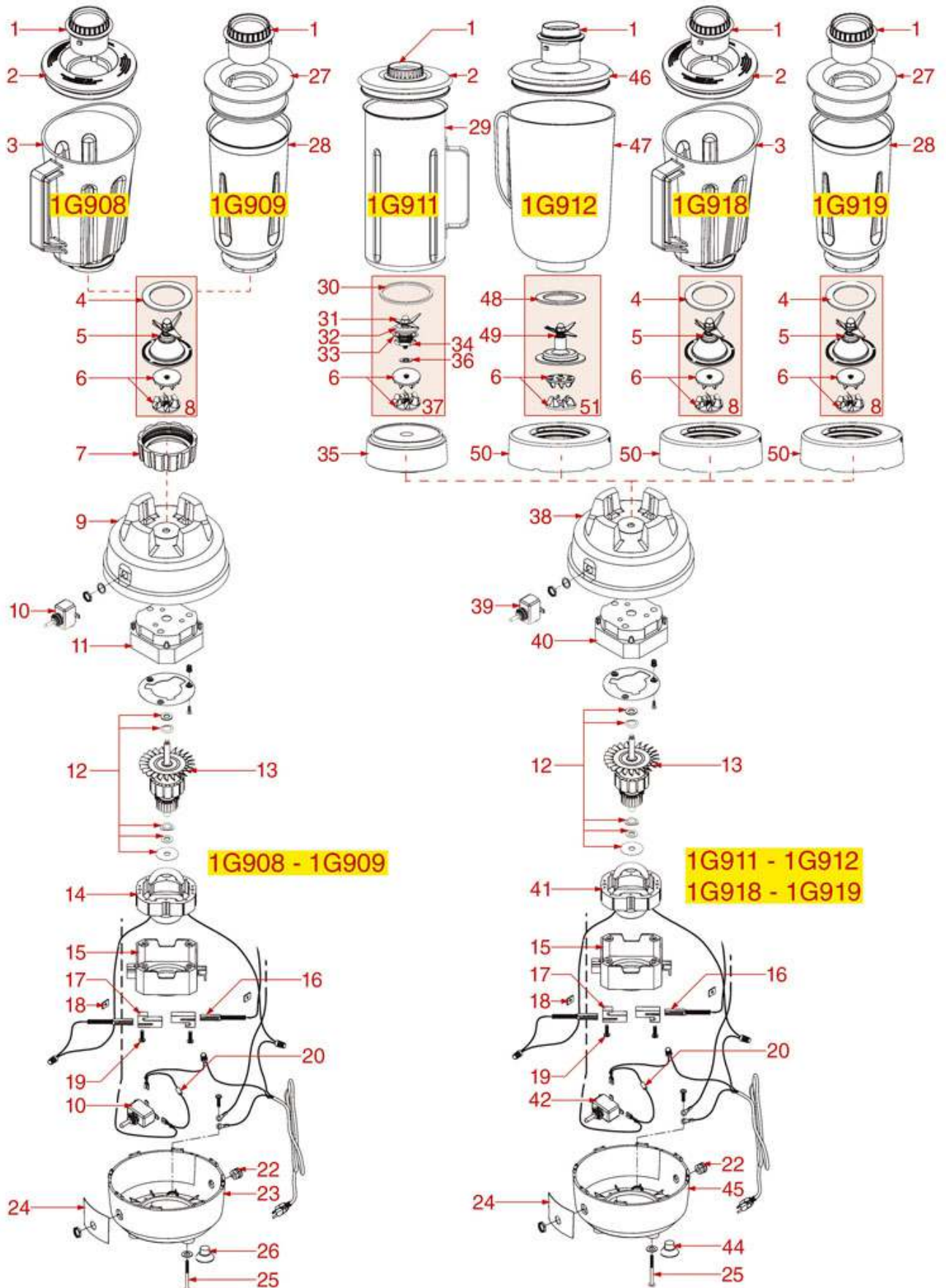
Position	LF code no.	Description
1	1080137	PLUG FOR JUG CAP
2	1080138	JUG LID
3	1080139	PLASTIC JUG 1.2 L
4	1186889	GLASS GASKET \varnothing 67x47x2,5 mm
5	1718011	BLADE SET
6	1212020	6-TEETH MALE GEAR \varnothing 38 mm
7	1080140	JUG HOLDER FOR BLENDER
10	1319351	BLACK LEVER BIPOLAR SWITCH
16	1240143	CHARCOALS WITH SPRING FOR MOTOR
33	1319352	LEVER BIPOLAR SWITCH
40	1718024	BLADE SET



HAMILTON BEACH



BLENDER 1G908/909/911/912/918/919



HBAB02

Positions without LF code no.: upon request



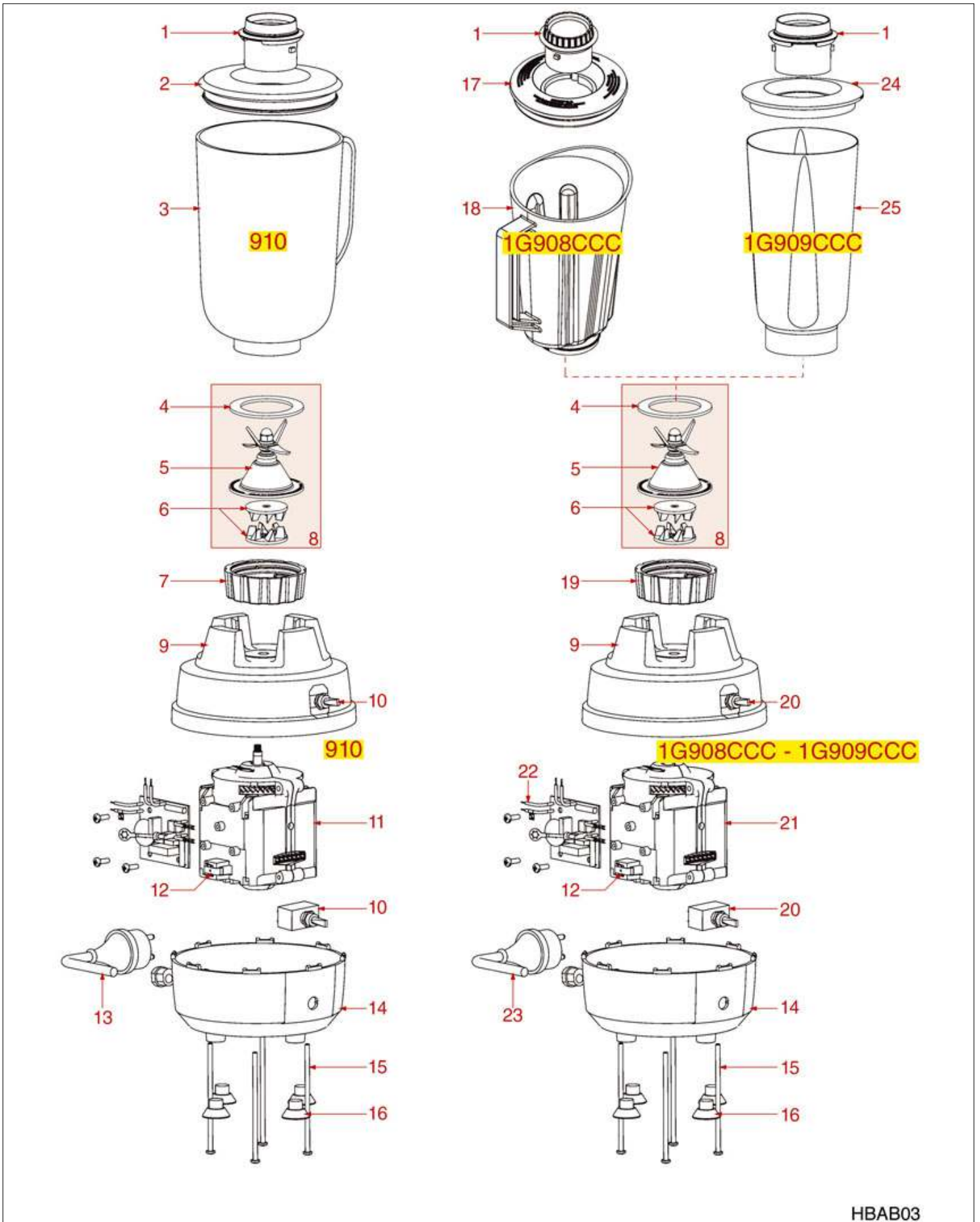
HAMILTON BEACH



Position	LF code no.	Description
1	1080137	PLUG FOR JUG CAP
2	1080138	JUG LID
3	1080139	PLASTIC JUG 1.2 L
4	1186889	GLASS GASKET \varnothing 67x47x2,5 mm
5	1718011	BLADE SET
6	1212020	6-TEETH MALE GEAR \varnothing 38 mm
10	1319351	BLACK LEVER BIPOLAR SWITCH
31	1718024	BLADE SET
48	1186890	GLASS GASKET \varnothing 58x52x2,4 mm
49	1718025	BLADE SET



BLENDER 910-1G908CCC-1G909CCC





HAMILTON BEACH

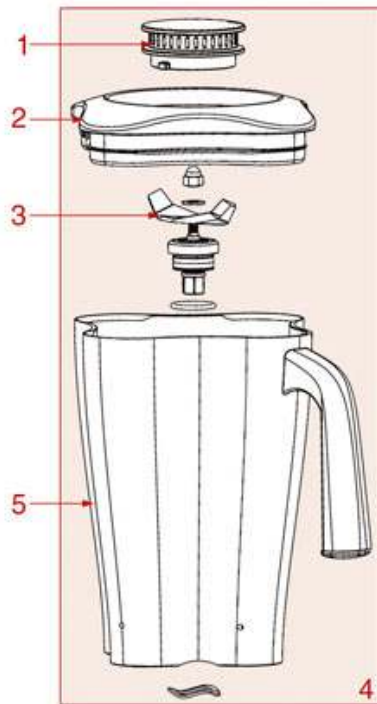


Position	LF code no.	Description
1	1080137	PLUG FOR JUG CAP
4	1186889	GLASS GASKET \varnothing 67x47x2,5 mm
5	1718011	BLADE SET
6	1212020	6-TEETH MALE GEAR \varnothing 38 mm
7	1080140	JUG HOLDER FOR BLENDER
10	1319351	BLACK LEVER BIPOLAR SWITCH
17	1080138	JUG LID
18	1080139	PLASTIC JUG 1.2 L

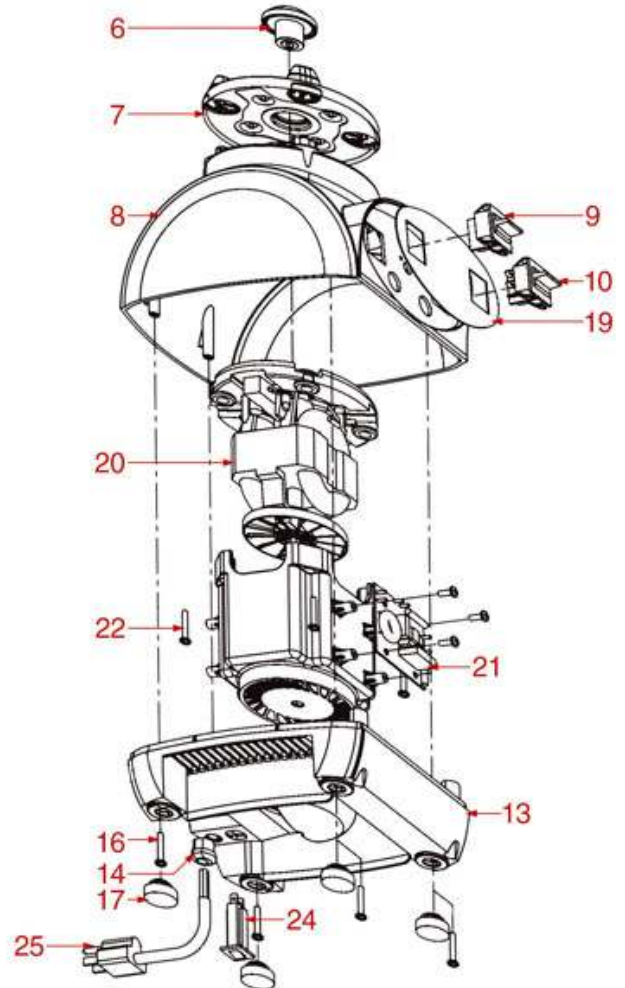
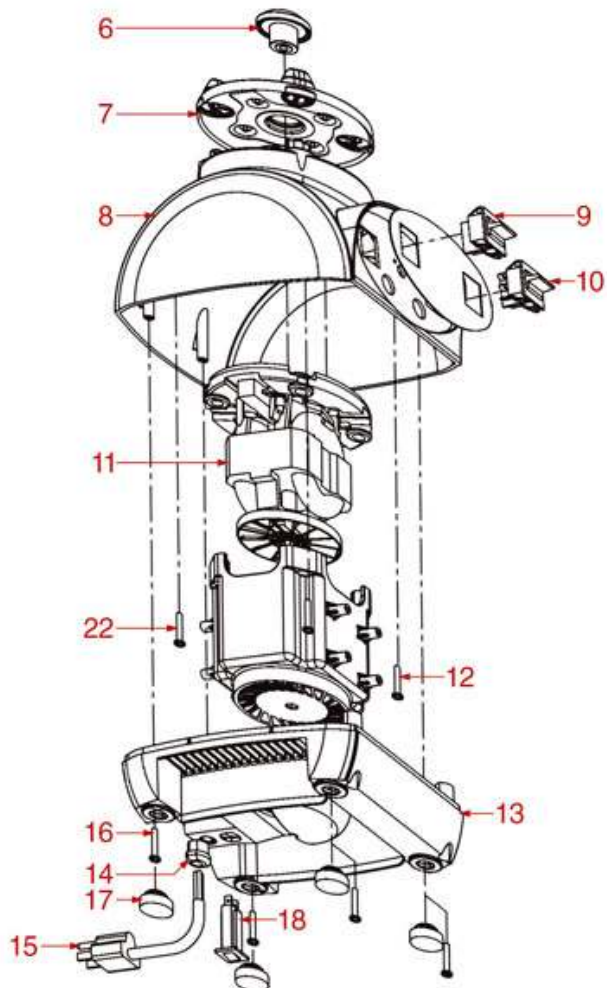


BLENDER 915-1G915-1G915CCC

915



1G915 - 1G915CCC





HAMILTON BEACH



Position	LF code no.	Description
1	1080141	PLUG FOR JUG CAP
2	1080142	JUG LID
3	1718026	BLADE SET
6	1212022	HEXAGONAL FEMALE GEAR



Suitable for:

Suitable for:

Feet

3313082 FOOT \varnothing 25 mm H 8 mm
for BLENDER 1G918



HAMILTON BEACH 32049110500

3313083 SUCKER FEET \varnothing 25 mm
for BLENDER 1G908



HAMILTON BEACH 32297074400

Gaskets and seals

1186890 GLASS GASKET \varnothing 58x52x2,4 mm
for Blender (HAMILTON BEACH) 1G912



HAMILTON BEACH 280009600

1186889 GLASS GASKET \varnothing 67x47x2,5 mm
for Blender (HAMILTON BEACH) 1G908 - 1G908CCC
1G909 - 1G909CCC - 1G918 - 1G919 - 908 - 909
910 - 918 - 919



HAMILTON BEACH 31092060001

Gears

1212022 HEXAGONAL FEMALE GEAR
for Blender (HAMILTON BEACH) 1G915 - 1G915CCC
915



HAMILTON BEACH 280081602

1212020 6-TEETH MALE GEAR \varnothing 38 mm
for Blender (HAMILTON BEACH) 1G908 - 1G908CCC
1G909 - 1G909CCC - 1G911 - 1G912 - 1G918
1G919 - 908 - 909 - 910 - 911 - 918 - 919



HAMILTON BEACH 280012304

HAMILTON BEACH 990035800

1212021 6-TEETH MALE GEAR \varnothing 56 mm
for Blender (HAMILTON BEACH) 990



HAMILTON BEACH 960007800



HAMILTON BEACH



Suitable for:

Suitable for:

Ironmongery (screws,nuts,washers)

3528037 NUT
for Blender (HAMILTON BEACH) 1G918



HAMILTON BEACH 280012905

Jugs for blenders

1080140 JUG HOLDER FOR BLENDER
for Blender (HAMILTON BEACH) 908 - 909 - 910 - 911



HAMILTON BEACH 280123000

HAMILTON BEACH 280127700

1080138 JUG LID
for Blender (HAMILTON BEACH) 1G908 - 1G908CCC
1G911 - 1G918 - 908 - 918



HAMILTON BEACH 31072083100

HAMILTON BEACH 990035400

1080142 JUG LID
for Blender (HAMILTON BEACH) 1G915 - 1G915CCC
915



HAMILTON BEACH 280121200

1080139 PLASTIC JUG 1.2 L
for Blender (HAMILTON BEACH) 1G908 - 1G908CCC
1G918 - 908 - 918



HAMILTON BEACH 240010101

HAMILTON BEACH 32109084100

1080137 PLUG FOR JUG CAP
for Blender (HAMILTON BEACH) 1G908 - 1G908CCC
1G909 - 1G909CCC - 1G911 - 1G912 - 1G918
1G919 - 908 - 909 - 910 - 911 - 918 - 919



HAMILTON BEACH 280023801

1080141 PLUG FOR JUG CAP
for Blender (HAMILTON BEACH) 1G915 - 1G915CCC
915



HAMILTON BEACH 280079900



Suitable for:

Suitable for:

Knives

3718001 BLADE FOR MIXER
for Blender (HAMILTON BEACH) 1G908 - 1G909 - 1G918



HAMILTON BEACH 911993900

1718011 BLADE SET
for Blender (HAMILTON BEACH) 1G908 - 1G908CCC
1G909 - 1G909CCC - 1G918 - 1G919 - 908 - 909
910 - 918 - 919



HAMILTON BEACH 990079500

1718024 BLADE SET
for Blender (HAMILTON BEACH) 1G911 - 911



HAMILTON BEACH 912891100

1718025 BLADE SET
for Blender (HAMILTON BEACH) 1G912



HAMILTON BEACH 96800370

1718026 BLADE SET
for Blender (HAMILTON BEACH) 1G915 - 1G915CCC
915



HAMILTON BEACH 980033201

3718002 BLADE/GASKET KIT
for Blender (HAMILTON BEACH) 1G908 - 1G909 - 1G918



HAMILTON BEACH 98908

HAMILTON BEACH 99100

Motors

1240143 CHARCOALS WITH SPRING FOR MOTOR
for Blender (HAMILTON BEACH) 908 - 909 - 911 - 918
919



HAMILTON BEACH 906093901

HAMILTON BEACH 950007200

3340060 MOTOR HOLDER
for Blender (HAMILTON BEACH) 1G908 - 1G909 - 1G918



HAMILTON BEACH 903891100

3340062 TOP MOTOR KIT
for Blender (HAMILTON BEACH) 1G908 - 1G909



HAMILTON BEACH 910690900



Suitable for:

Suitable for:

Switches

1319351 BLACK LEVER BIPOLAR SWITCH
for Blender (HAMILTON BEACH) 1G908 - 1G909 - 908
909 - 910



HAMILTON BEACH 906591100

1319352 LEVER BIPOLAR SWITCH
10/15A 250/125V
for Blender (HAMILTON BEACH) 1G908 - 911 - 918



HAMILTON BEACH 30659110000

HAMILTON BEACH 960006104