



Spare parts for:

Bar equipment



Suitable for:

INNOVA



This catalogue is automatically generated.
Therefore, the sequence of the items might
not be always shown at best.
Updates will be issued in case of additions
and/or amendments.

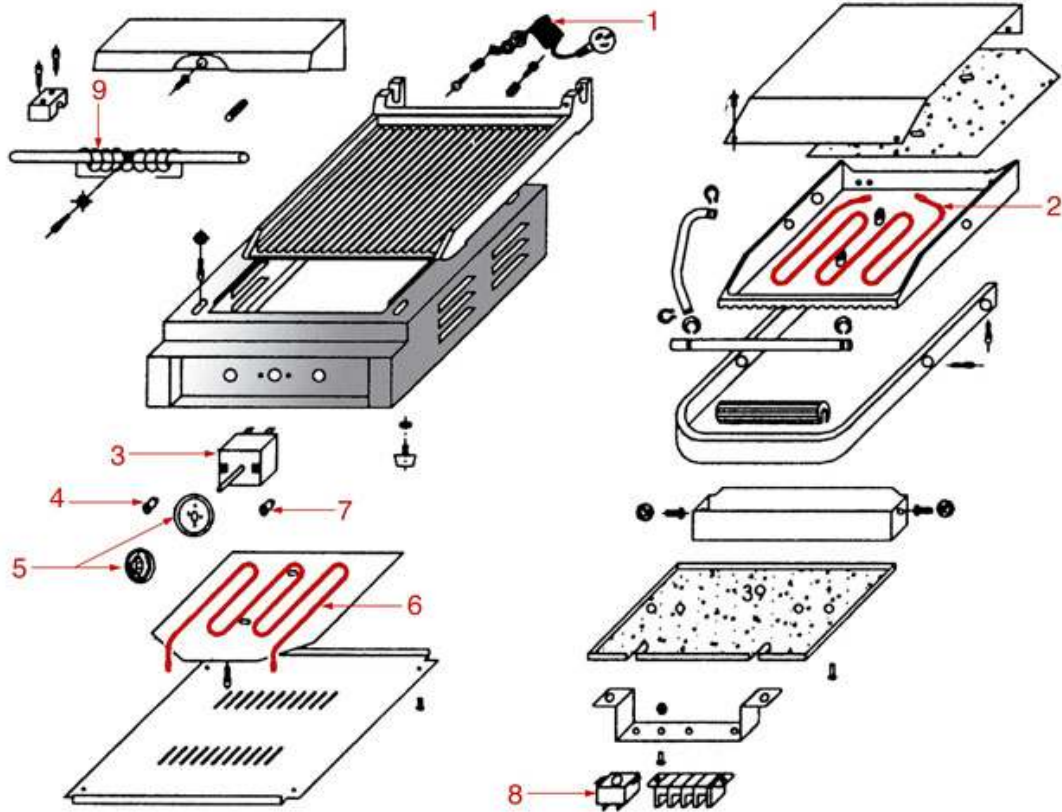
Suitable universal spare parts may not be included



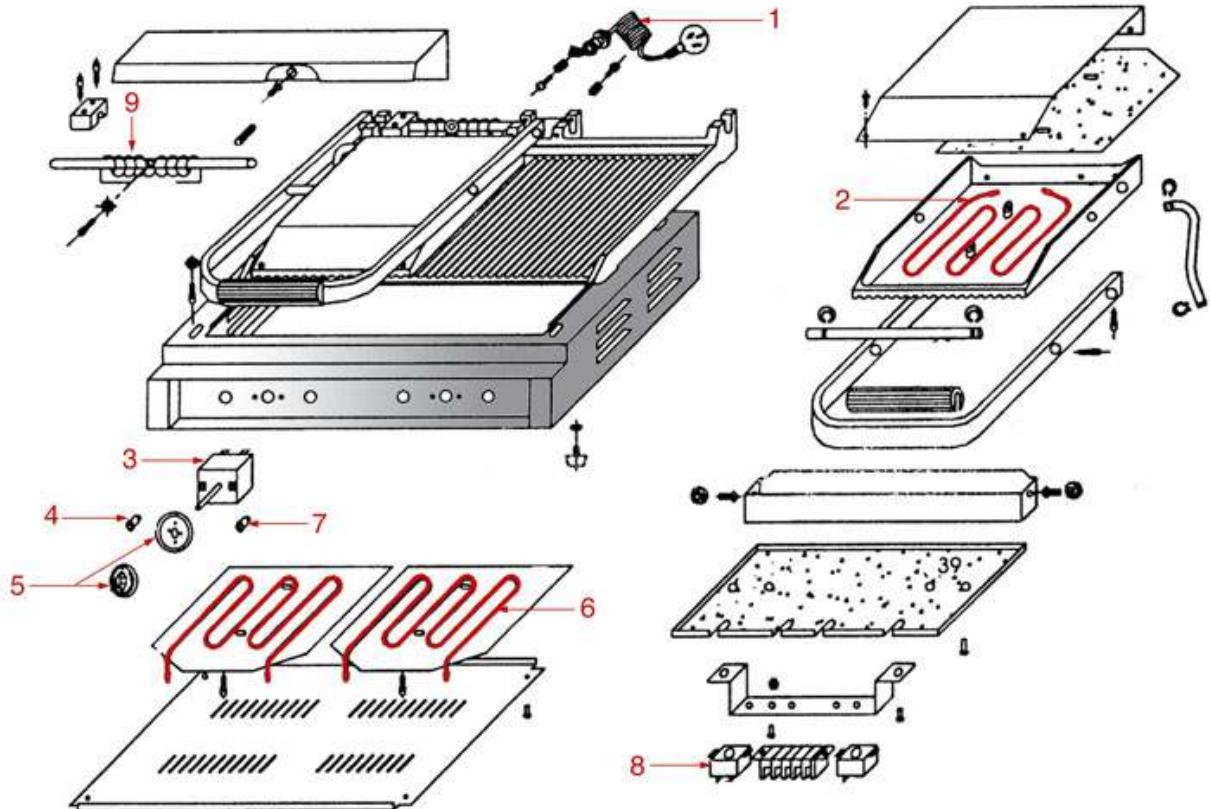


PLATE R1-R2-LI-L2

R1 - L1



R2 - L2 - RL2





INNOVA



Position	LF code no.	Description
2	3755529	HEATING ELEMENT 800W 230V
3	3444361	SINGLE-PHASE THERMOSTAT 50-320°C
4	3319457	BLACK SINGLE POLE SWITCH 16A 250V
5	3241382	BLACK ADJUSTING KNOB
6	3755528	HEATING ELEMENT 1000W 230V
7	3221297	ORANGE INDICATOR LIGHT 230V
7	3221400	GREEN INDICATOR LAMP 230V
8	3443047	CONTACT THERMOSTAT 180°C 10A 250V



Suitable for:

INNOVA



Suitable for:

Contact thermostats

3443047 CONTACT THERMOSTAT 180°C 10A 250V
with manual reset



INNOVA

Heating elements

3755528 HEATING ELEMENT 1000W 230V
length 175 mm - width 180 mm



INNOVA

3755529 HEATING ELEMENT 800W 230V
length 180 mm - width 190 mm



INNOVA

Knobs

3241382 BLACK ADJUSTING KNOB
D-shaped hole 6x4.6 mm



INNOVA

Lamps

3221400 GREEN INDICATOR LAMP 230V
ø head 14 mm - ø hole 13 mm



INNOVA

3221297 ORANGE INDICATOR LIGHT 230V
head ø 14 mm - hole ø 13 mm



INNOVA



Suitable for:

INNOVA



Suitable for:

Thermostats

3444361 SINGLE-PHASE THERMOSTAT 50-320°C

D-shaped pin \varnothing 6x4.6 mm

capillary 950 mm - 16A 250V

bulb \varnothing 3x160 mm

for Crêpe pan (KRAMPOUZ) CEBIA4AO - RK400



INNOVA