



Spare parts for:

Bar equipment



Suitable for:

LOTUS



This catalogue is automatically generated.
Therefore, the sequence of the items might
not be always shown at best.
Updates will be issued in case of additions
and/or amendments.

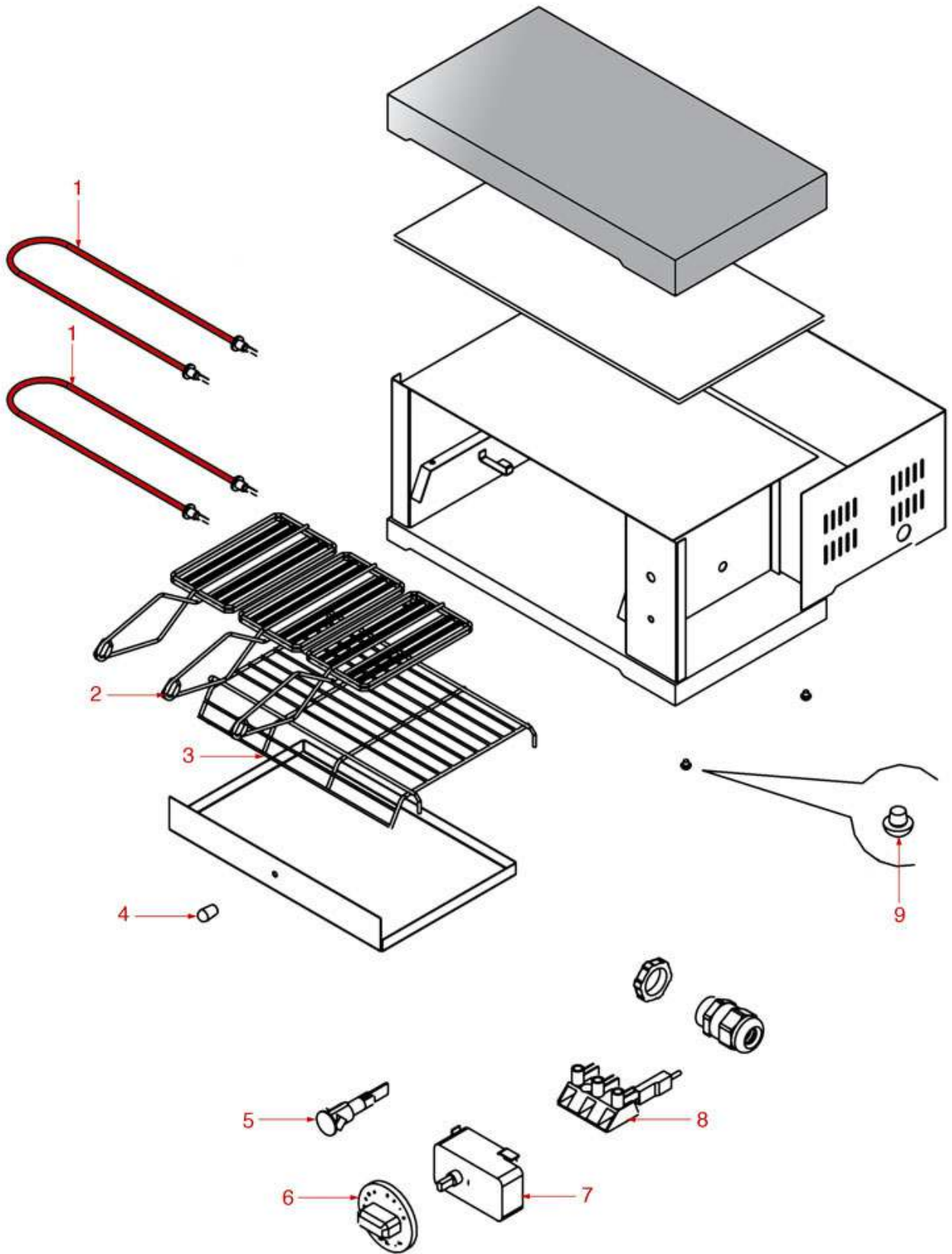
Suitable universal spare parts may not be included





TOASTER

TS3-TS6





LOTUS



Position	LF code no.	Description
1	3355397	HEATING ELEMENT 850W 230V
2	3317051	GRILL PLIER
5	3221151	WHITE INDICATOR LIGHT 250V
6	3241349	BLACK KNOB ø 44 mm 0-15
7	3446141	TIMER 15 MINUTES G15
8	3247016	3-POLE TERMINAL BLOCK FV273 40A 450V



Suitable for:

LOTUS



Suitable for:

Energy regulators

3350026 ENERGY ADJUSTER

contact capacity 230V 13A - max temperature 125°C
D-shaped pin \varnothing 6x4.6 mm
double rotation direction
for PYROCERAM. TOPS-SALAMANDERS-POTATO WARMERS
for Sausage grill (CF CENEDESE)
for Toaster (CF CENEDESE)
for Toaster electric (DOSILET) GG4000 - TT6000



LOTUS 537013300

LOTUS 537020100

LOTUS 537021500

Gas taps and accessories

3348014 GAS COCK 20/S

without pilot flame
fittings \varnothing M16x1.5mm
thermocouple fitting M8x1
D-shaped pin \varnothing 8x6.5mm



LOTUS 531021600

LOTUS 531025800

Heating elements

3355397 HEATING ELEMENT 850W 230V

length 320 mm - width 85 mm
fittings \varnothing 12 mm
for Toaster electric (LOTUS) TS3 - TS6



LOTUS 537004500

Knobs

3241349 BLACK KNOB \varnothing 44 mm 0-15

pin hole 5x3.5 mm



LOTUS 536002000



Suitable for:

LOTUS



Suitable for:

Lamps

3221095 ORANGE INDICATOR LAMP 230V
head \varnothing 13.5 mm - hole \varnothing 10 mm - 120°C
universal application



LOTUS 6E00056

LOTUS 6E00056TV

3221151 WHITE INDICATOR LIGHT 250V
head \varnothing 14 mm - hole \varnothing 11 mm - 120°C
for LOTUS EQUIPMENT 900-700-650-600
for DIHR SALAMANDER S1-S2



LOTUS 537014100

LOTUS 537017600

Piezo ignitors

3001020 PIEZO IGNITER 10015
18 mm \varnothing mounting hole
2.4 mm \varnothing male faston connector



LOTUS 537002800+

Pliers for sandwiches

3317051 GRILL PLIER
length 100 mm
height 180 mm
for Toaster



LOTUS 531004500

Switches

3319012 GREEN BIPOLAR SWITCH 16A 250V
with indicator light and switch cover
screen printing 0 - I
max temperature 120°C
mounting hole 22x30 mm



LOTUS 537001700

LOTUS 537015500



Suitable for:

LOTUS



Suitable for:

Terminal blocks

3247016 3-POLE TERMINAL BLOCK FV273 40A 450V

for cable max 6 mm²
operating temperature 150°C
nominal voltage 450 V



LOTUS 537003800

LOTUS 537007600

3247009 6-POLE TERMINAL BLOCK FV122/B 40A 600V

for cable max 6 mm²
operating temperature 150°C
nominal voltage 450 V



LOTUS 537007700

Thermostats

3444361 SINGLE-PHASE THERMOSTAT 50-320°C

D-shaped pin \varnothing 6x4.6 mm
capillary 950 mm - 16A 250V
bulb \varnothing 3x160 mm
for Crêpe pan (KRAMPOUZ) CEBIA4A0 - RK400



LOTUS 537006100

Timers

3446004 TIMER 120 MINUTES

mechanical timer with acoustic signal
mechanical movement with balance wheel
manual operating position on the left
manual winding cycle 120 minutes
bipolar timer with contact capacity 16(3)A 250V
max temperature 125°C
D shaft \varnothing 6x4.6 mm
complete with screenprinted label
for OVEN



LOTUS 537019300

3446051 TIMER 15 MINUTES C20

manually set mechanical timer
manually set cycle 15 minutes
2 poles with contact capacity 16(3)A 250V
max temperature 125°C
D-shaped pin \varnothing 6x4.6 mm
complete with knob
for FIMAR TOASTER TOP3-6
for LOTUS TOASTER TS-1
for CF TOASTER T920-T930-T940-T960
for CF SMALL OVEN FP36-FP66



LOTUS 537000500



Suitable for:

Suitable for:

3446141 **TIMER 15 MINUTES G15**

mechanical movement with balance wheel
manually set mechanical timer
manually set cycle 15 minutes
contact capacity 16(4)A 250V
max temperature 125°C
D-shaped pin \varnothing 6x4.6 mm
complete with silkscreen printed plate and knob
for THORIZONTAL TOASTER all models



LOTUS 537001100