



Spare parts for:

Bar equipment



Suitable for:

MIA-COMPAK



This catalogue is automatically generated.
Therefore, the sequence of the items might
not be always shown at best.
Updates will be issued in case of additions
and/or amendments.

Suitable universal spare parts may not be included

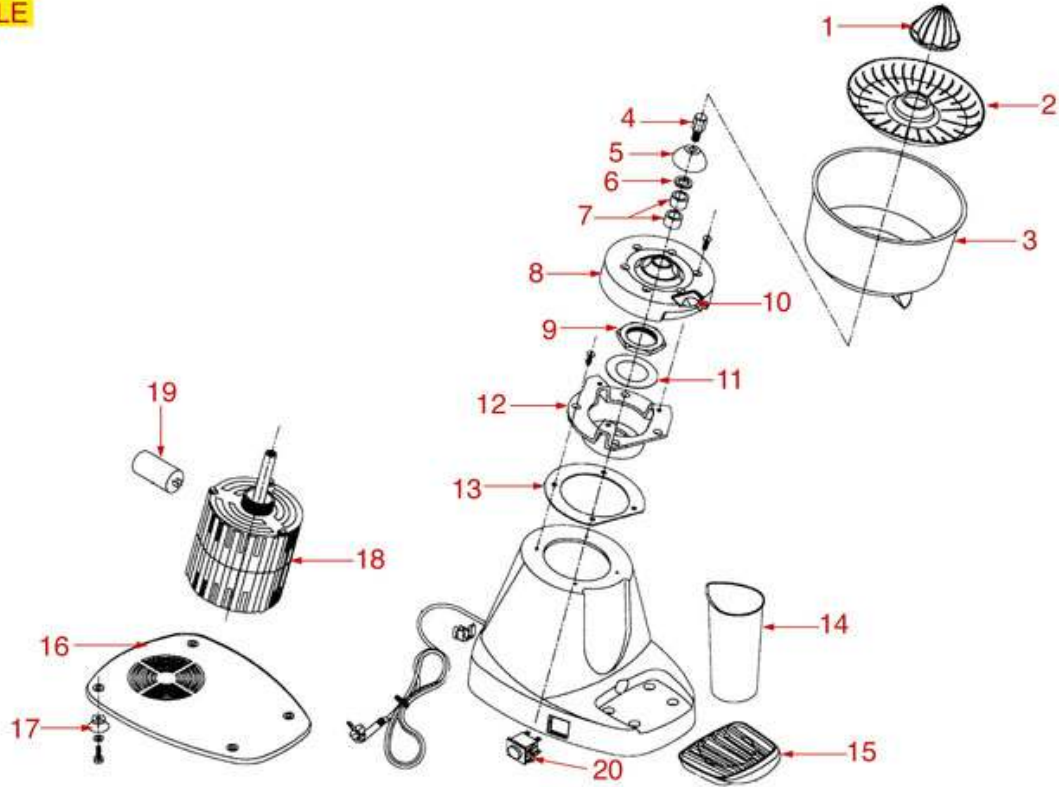
Rel. 2013-09121844



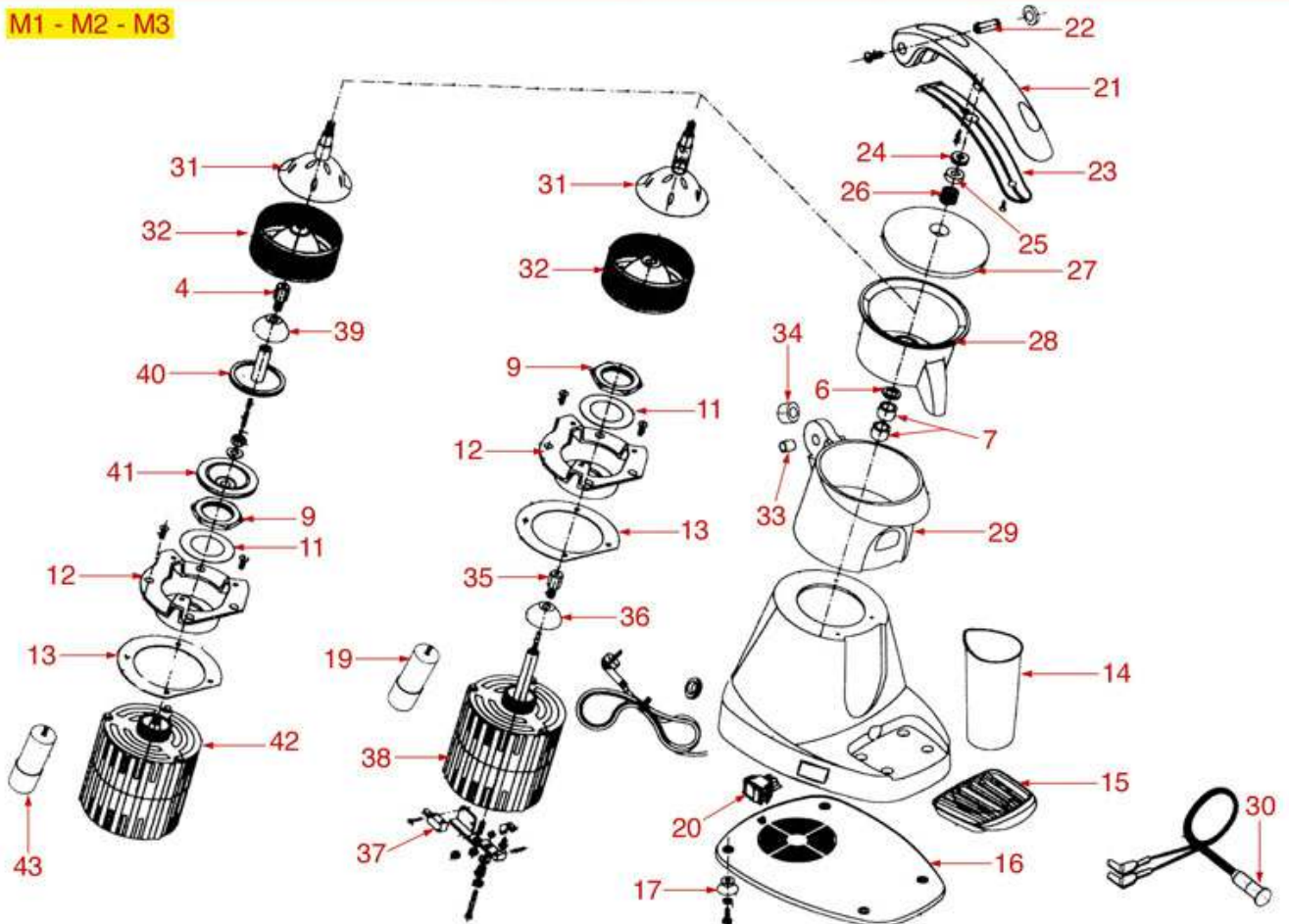


MANUAL CITRUS SQUEEZER -M1-M2-M3

MANUALE



M1 - M2 - M3





MIA-COMPAK



Position	LF code no.	Description
1	1381105	BIG PLASTIC CONE
1	1381106	SMALL PLASTIC CONE
2	1381102	PLASTIC SIEVE
6	1186954	RETAINING GASKET
14	1080021	PLASTIC JUG
17	1313551	SUCTION FOOT
19	3068016	CAPACITOR μ F 10 450V 50/60Hz
20	1319174	BLACK BIPOLAR SWITCH 8A 250V
21	1381101	ALUMINUM LEVER
28	1381100	JUICE CONVEYOR
31	1381104	STAINLESS STEEL BELL
32	1381103	STAINLESS STEEL CONE
37	3240123	MICROSWITCH 16A 250V
43	3068014	CAPACITOR μ F 8 450V 50/60Hz



Suitable for:

MIA-COMPAK



Suitable for:

Capacitors

3068016 CAPACITOR μ F 10 450V 50/60Hz
operating temperature $-25+85^{\circ}\text{C}$
in compliance with EEC 93/68 and 92/31 regulations



MIA-COMPAK

3068014 CAPACITOR μ F 8 450V 50/60Hz
operating temperature $-25+85^{\circ}\text{C}$
in compliance with EEC 93/68 and 92/31 regulations



MIA-COMPAK

Citrus squeezers and accessories

1381104 STAINLESS STEEL BELL



MIA-COMPAK

Cones for citrus squeezers

1381105 BIG PLASTIC CONE



MIA-COMPAK

1381102 PLASTIC SIEVE



MIA-COMPAK

1381106 SMALL PLASTIC CONE



MIA-COMPAK

1381103 STAINLESS STEEL CONE



MIA-COMPAK

Feet

1313551 SUCTION FOOT



MIA-COMPAK



Suitable for:

MIA-COMPAK

Suitable for:



Gaskets and seals

1186954 RETAINING GASKET



MIA-COMPAK

Handles

1381101 ALUMINUM LEVER



MIA-COMPAK

Jugs for blenders

1080021 PLASTIC JUG



MIA-COMPAK EM.131

Juice conveyors

1381100 JUICE CONVEYOR



MIA-COMPAK

Microswitches

3240123 MICROSWITCH 16A 250V

for Granita machine (UGOLINI) GIANTGL - MTGL
MTMINI

for Ice crusher (SANTOS) 9
for Mixer (ROBOT COUPE) MP350 - MP450 - MP550
MP550A - MP600 - MP600A



MIA-COMPAK



Suitable for:

MIA-COMPAK



Suitable for:

Switches

1319174 BLACK BIPOLAR SWITCH 8A 250V
with yellow led indicator lamp
silk-screen printing TAZZINA CAFFÈ
temperature max. 120°C
mounting hole 22x30 mm



MIA-COMPAK