



Spare parts for:

Bar equipment



Suitable for:

QUAMAR



This catalogue is automatically generated.
Therefore, the sequence of the items might
not be always shown at best.
Updates will be issued in case of additions
and/or amendments.

Suitable universal spare parts may not be included





CITRUS SQUEEZER SE/01

SE/01



FZMSAB01



QUAMAR

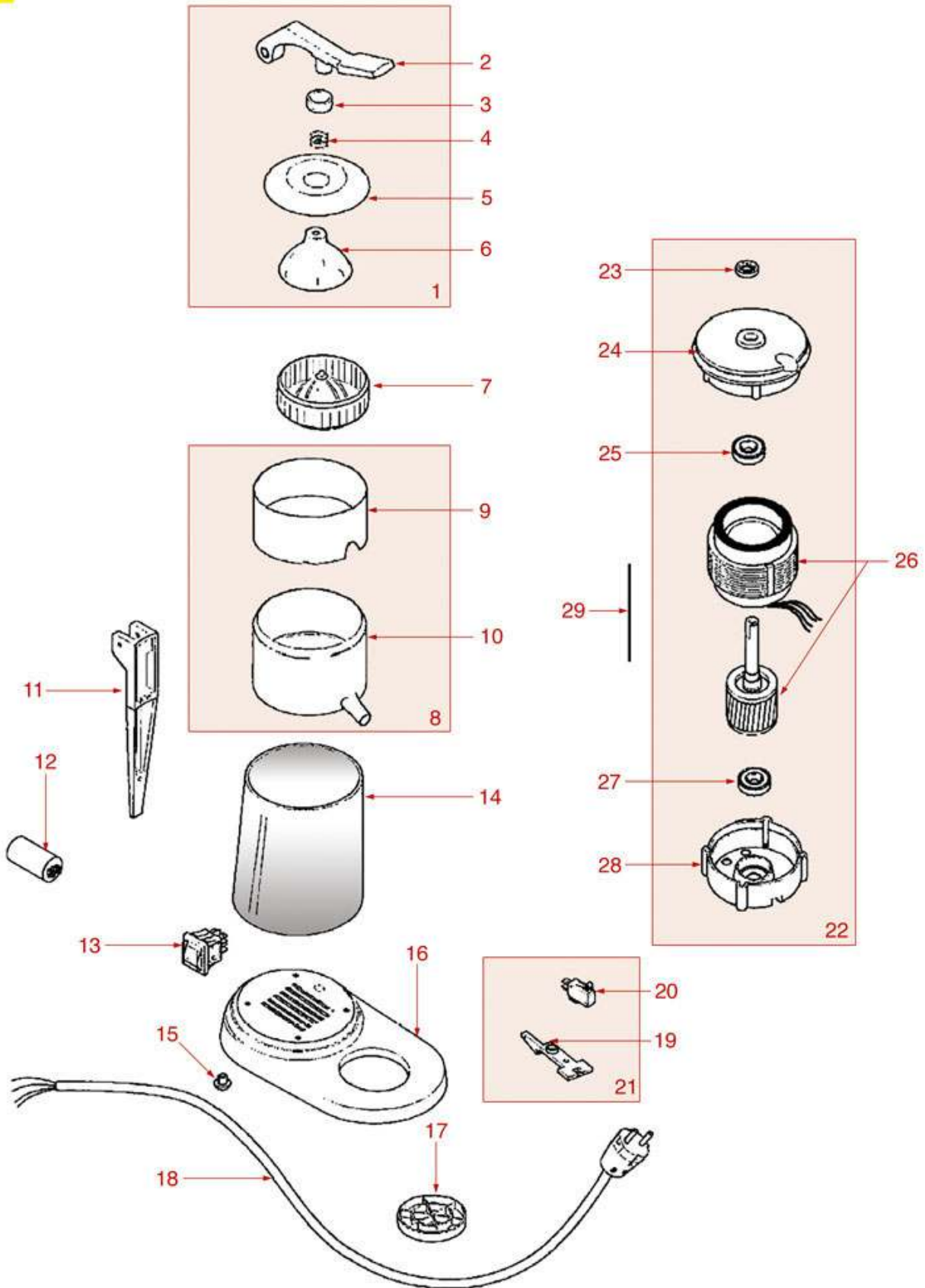


Position	LF code no.	Description
1	1381901	CONE
3	1381903	GASKET VS 14 RING
5	3319012	GREEN BIPOLAR SWITCH 16A 250V
9	1313921	FOOT FOR MIXER
11	1381905	PIN T89 SE/01



CITRUS SQUEEZER T94

T94





QUAMAR

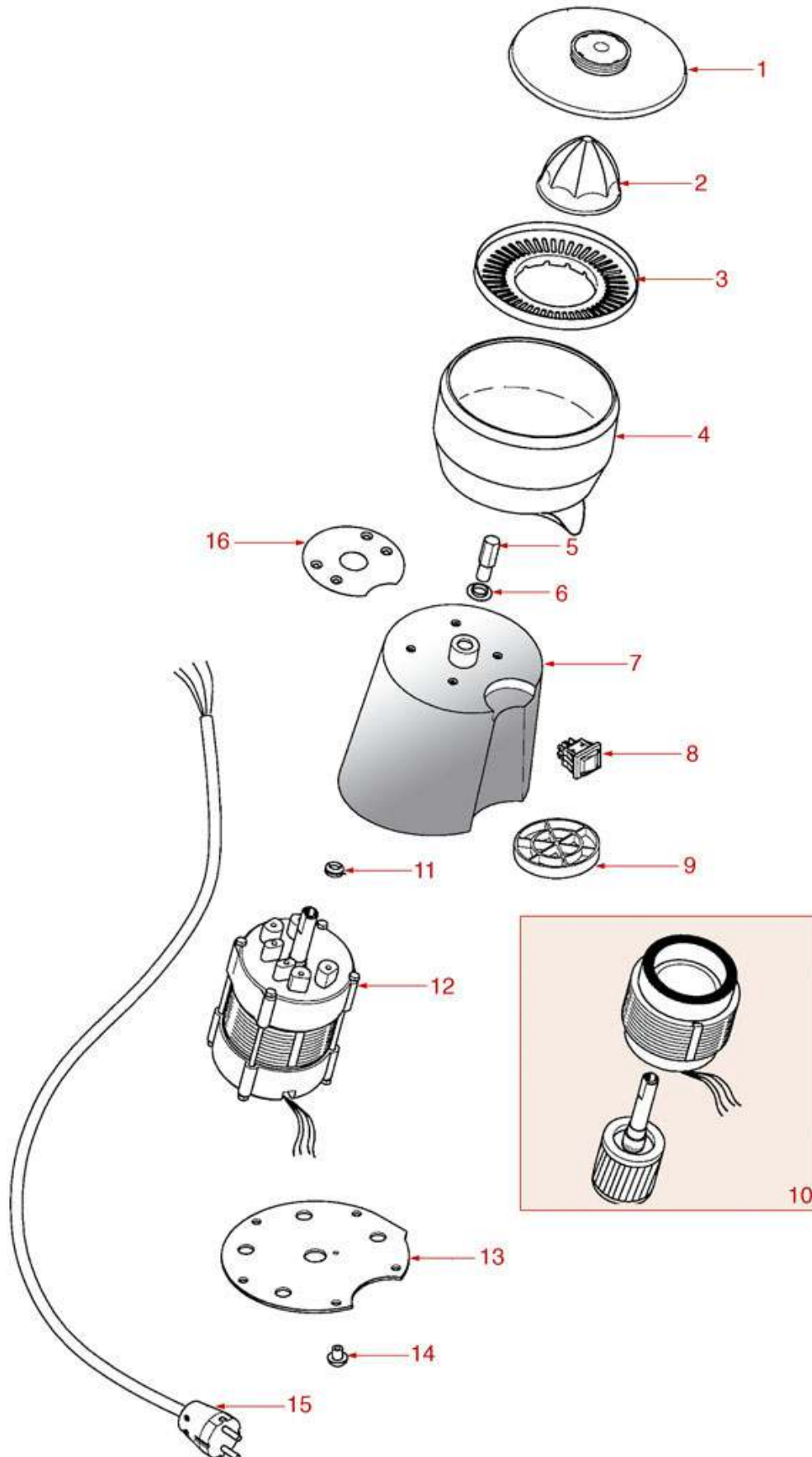


Position	LF code no.	Description
7	1381032	STAINLESS STEEL CONE
9	1381212	COVER TANK RING
12	3068014	CAPACITOR μ F 8 450V 50/60Hz
13	3319012	GREEN BIPOLAR SWITCH 16A 250V
15	1313921	FOOT FOR MIXER
20	3240123	MICROSWITCH 16A 250V
25	1063906	BEARING 6203 2Z
27	1063911	BEARING 6202 2Z



MULTIPLE GROUP T71

T89





QUAMAR

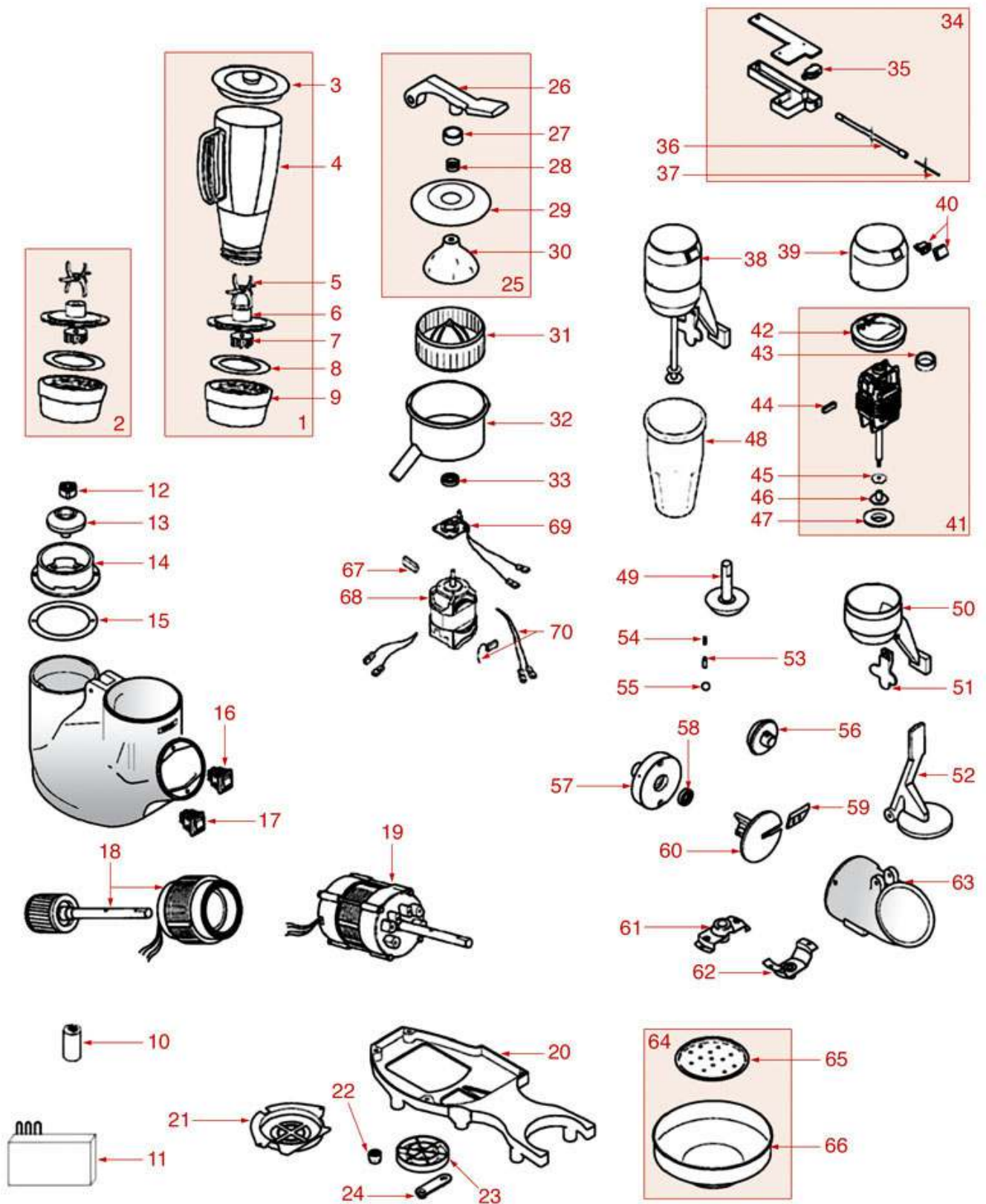


Position	LF code no.	Description
2	1381166	STAINLESS STEEL CONE
3	1381167	STAINLESS STEEL SIEVE
5	1381905	PIN T89 SE/01
6	1186615	SEALING RING \varnothing 22x13x4.5 mm
8	3319012	GREEN BIPOLAR SWITCH 16A 250V
8	3319501	SWITCH PROTECTION CAP



MULTIPLE GROUP T71

T71



FZMSAB04



QUAMAR



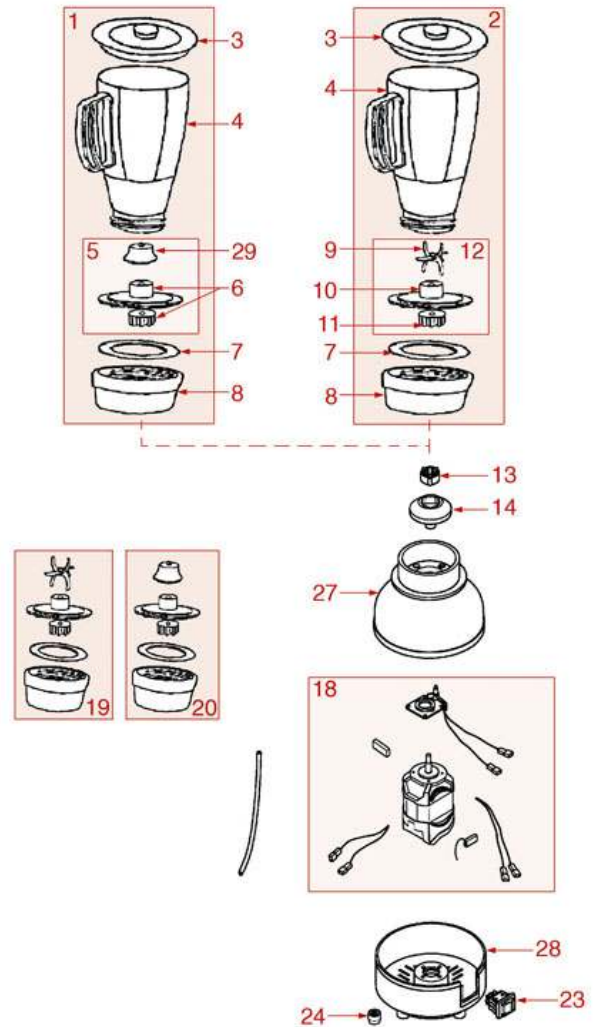
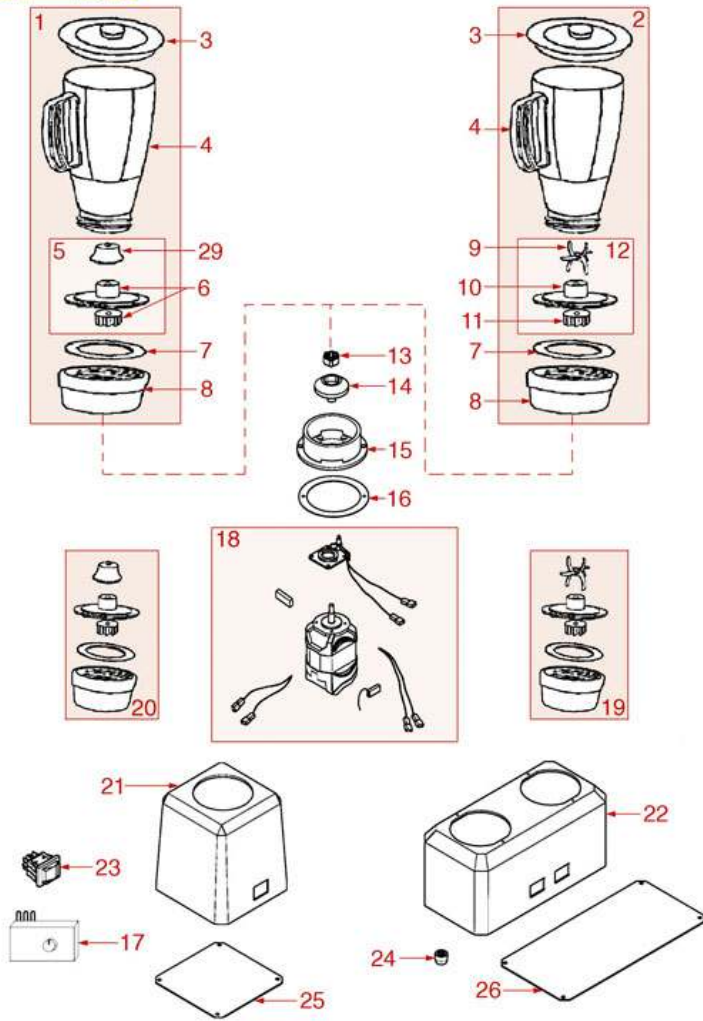
Position	LF code no.	Description
3	1381168	JUG LID
4	1080019	PLASTIC JUG 1 L
5	1718005	KNIFE SET
8	1186520	GASKET \varnothing 72x55x2.5 mm
10	3068014	CAPACITOR μ F 8 450V 50/60Hz
12	1381033	RUBBER TOOTHED COUPLING
13	1381034	CONVEYOR COUPLING
15	1186522	ANTI VIBRATION GASKET
16	3319012	GREEN BIPOLAR SWITCH 16A 250V
17	1319166	ON-OFF-ON STABLE SELECTOR SWITCH
22	1313911	FOOT M1/T48/T82/T65
33	1186525	SEALING GASKET
35	3240123	MICROSWITCH 16A 250V
42	1186629	GASKET KIT
43	1186629	GASKET KIT
45	1381035	STAINLESS STEEL BUTTERFLY
46	1381036	PLASTIC MIXER FOR BLENDER
47	1186629	GASKET KIT
48	1080031	STAINLESS STEEL JUG
58	1186525	SEALING GASKET



BLENDERS T82/1 - T82/2 - CE/1

T.82/1 - T.82/2

CE/1



FZMSAB05



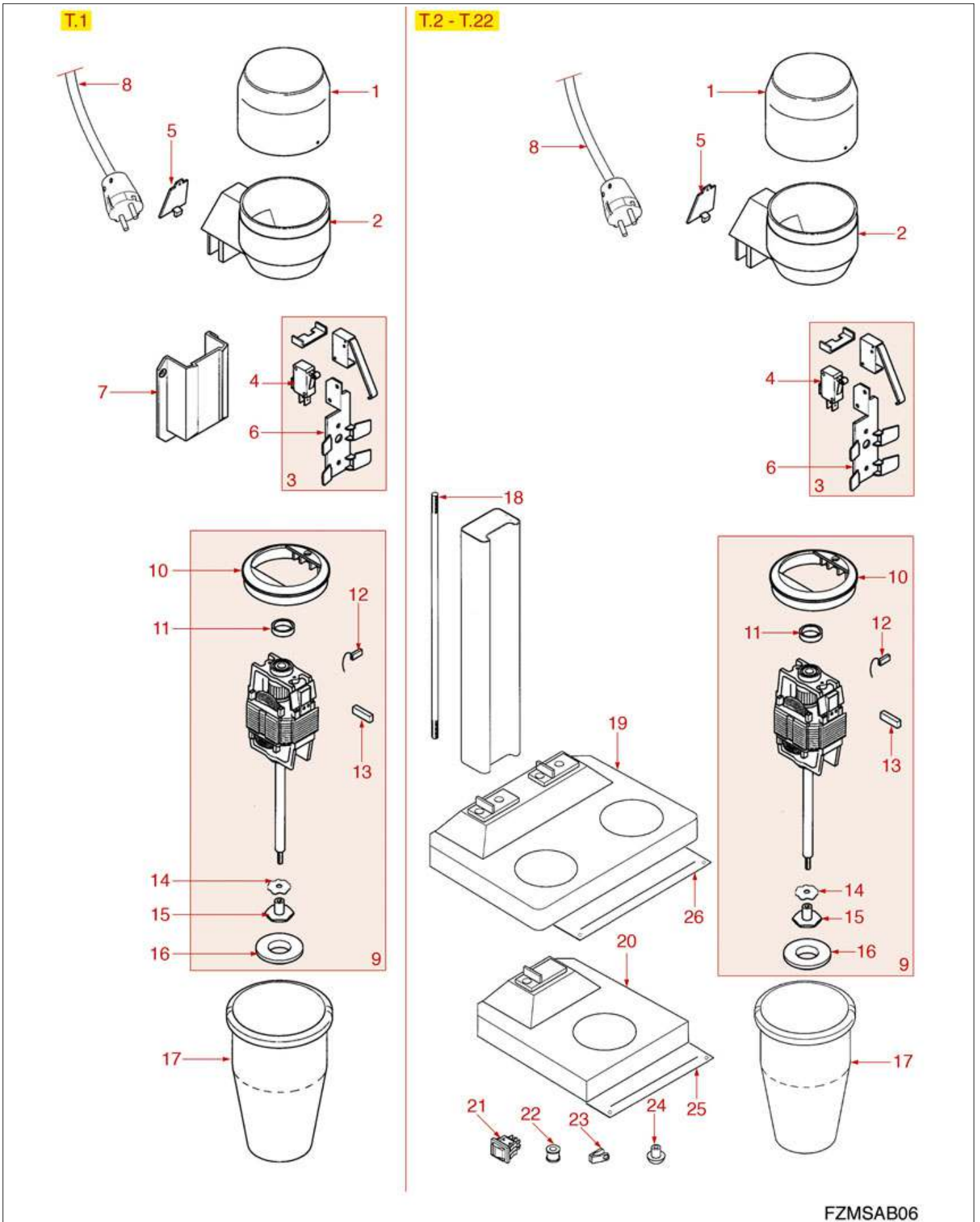
QUAMAR



Position	LF code no.	Description
3	1381168	JUG LID
4	1080019	PLASTIC JUG 1 L
7	1186520	GASKET \varnothing 72x55x2.5 mm
9	1718005	KNIFE SET
13	1381033	RUBBER TOOTHED COUPLING
14	1381034	CONVEYOR COUPLING
16	1186522	ANTI VIBRATION GASKET
23	1319166	ON-OFF-ON STABLE SELECTOR SWITCH
23	3319501	SWITCH PROTECTION CAP
24	1313911	FOOT M1/T48/T82/T65
29	1718016	MIXER CONE



BLENDERS T1-T2



FZMSAB06

Positions without LF code no.: upon request



QUAMAR



Position	LF code no.	Description
3	1381169	JUG SUPPORT WITH MICRO
4	3240123	MICROSWITCH 16A 250V
10	1186629	GASKET KIT
11	1186629	GASKET KIT
14	1381035	STAINLESS STEEL BUTTERFLY
15	1381036	PLASTIC MIXER FOR BLENDER
16	1186629	GASKET KIT
17	1080031	STAINLESS STEEL JUG
24	1313921	FOOT FOR MIXER



Suitable for:

QUAMAR



Suitable for:

Bearings

1063911 BEARING 6202 2Z
external \varnothing 35 mm-internal \varnothing 15 mm-thickness 11 mm



QUAMAR 260005

1063906 BEARING 6203 2Z
external \varnothing 40 mm-internal \varnothing 17 mm-thickness 12 mm



QUAMAR 260006

Capacitors

3068024 CAPACITOR μ F 16 450V 50/60Hz
operating temperature $-25+85^{\circ}\text{C}$
in compliance with EEC 93/68 and 92/31 regulations



QUAMAR 150063

3068027 CAPACITOR μ F 20 450V 50/60Hz
operating temperature $-25+85^{\circ}\text{C}$
in compliance with EEC 93/68 and 92/31 regulations



QUAMAR 150064

3068014 CAPACITOR μ F 8 450V 50/60Hz
operating temperature $-25+85^{\circ}\text{C}$
in compliance with EEC 93/68 and 92/31 regulations



QUAMAR 150070

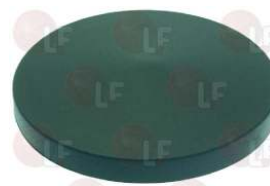
Citrus squeezers and accessories

1381212 COVER TANK RING



QUAMAR 180060

1381168 JUG LID



QUAMAR 160033

1381169 JUG SUPPORT WITH MICRO



QUAMAR RFRAUNI02

1381036 PLASTIC MIXER FOR BLENDER



QUAMAR 160148



Suitable for:

Suitable for:

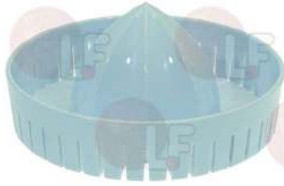
1381035 STAINLESS STEEL BUTTERFLY



QUAMAR 180047

Cones for citrus squeezers

1381901 CONE for Juice extractor (QUAMAR) SE/01



QUAMAR 160010

QUAMAR 180073

1381032 STAINLESS STEEL CONE for Juice extractor (QUAMAR) T94



QUAMAR 180062

1381166 STAINLESS STEEL CONE



QUAMAR RSPR89005

QUAMAR 180078

1381167 STAINLESS STEEL SIEVE



QUAMAR 180080

Feet

1313921 FOOT FOR MIXER



QUAMAR 160098

1313911 FOOT M1/T48/T82/T65



QUAMAR 160096

Gaskets and seals

1186522 ANTI VIBRATION GASKET



QUAMAR 160030

1186520 GASKET \varnothing 72x55x2.5 mm



QUAMAR 120017



Suitable for:

Suitable for:

1186629 GASKET KIT

1186525 SEALING GASKET



QUAMAR 160046

QUAMAR 160047

QUAMAR 160048

QUAMAR 120011

1186615 SEALING RING \varnothing 22x13x4.5 mm



QUAMAR 120028

Gears

1381034 CONVEYOR COUPLING

1235006 MALE GEAR 8 TEETH OLD TYPE
for Blender (SAMMIC) TB-1000
for Blender (VEMA) - Series FR



QUAMAR RFRUUNI09

QUAMAR 170079

1381905 PIN T89 SE/01

1381033 RUBBER TOOTHED COUPLING



QUAMAR 130072

QUAMAR 160040

Jugs for blenders

1080019 PLASTIC JUG 1 L

1080031 STAINLESS STEEL JUG
height 160 mm
max external \varnothing 110 mm



QUAMAR 160032

QUAMAR 180048



Suitable for:

QUAMAR

Suitable for:



Knives

1718005 KNIFE SET



QUAMAR 230017

1718016 MIXER CONE



QUAMAR 130054

Microswitches

3240123 MICROSWITCH 16A 250V

for Granita machine (UGOLINI) GIANTGL - MTGL
MTMINI
for Ice crusher (SANTOS) 9
for Mixer (ROBOT COUPE) MP350 - MP450 - MP550
MP550A - MP600 - MP600A



QUAMAR 210029

Switches

3319012 GREEN BIPOLAR SWITCH 16A 250V

with indicator light and switch cover
screen printing 0 - I
max temperature 120°C
mounting hole 22x30 mm



QUAMAR 210018

1319166 ON-OFF-ON STABLE SELECTOR SWITCH

16A 250V - with cap
max.temperature 120°C
mounting hole 22x30 mm



QUAMAR 210019

3319016 RED BIPOLAR SWITCH 16A 250V

with indicator lamp
silk-screen print 0 - I
max temperature 120°C
mounting hole 22x30 mm



QUAMAR 150027

QUAMAR 210018

3319501 SWITCH PROTECTION CAP

external dimensions 29x36 mm
for switches with mounting hole 22x30 mm



QUAMAR 210016



Suitable for:

QUAMAR



Suitable for:

Water tight seals

1381903 GASKET VS 14 RING



QUAMAR 120014