



Spare parts for:

Bar equipment



Suitable for:

SAMMIC



This catalogue is automatically generated.
Therefore, the sequence of the items might
not be always shown at best.
Updates will be issued in case of additions
and/or amendments.

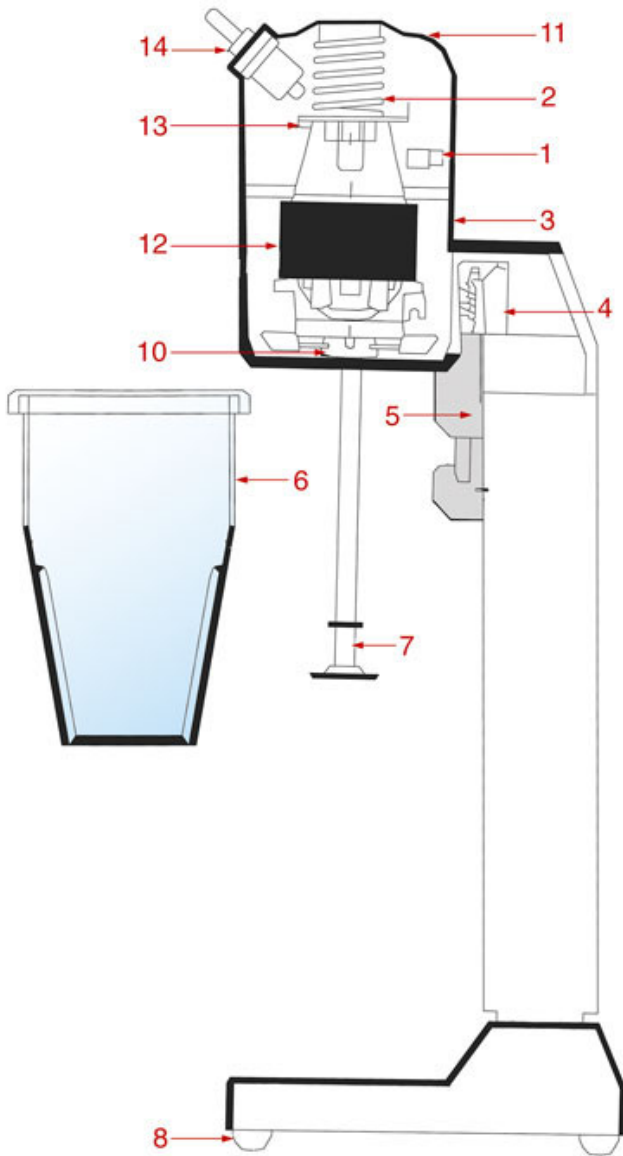
Suitable universal spare parts may not be included



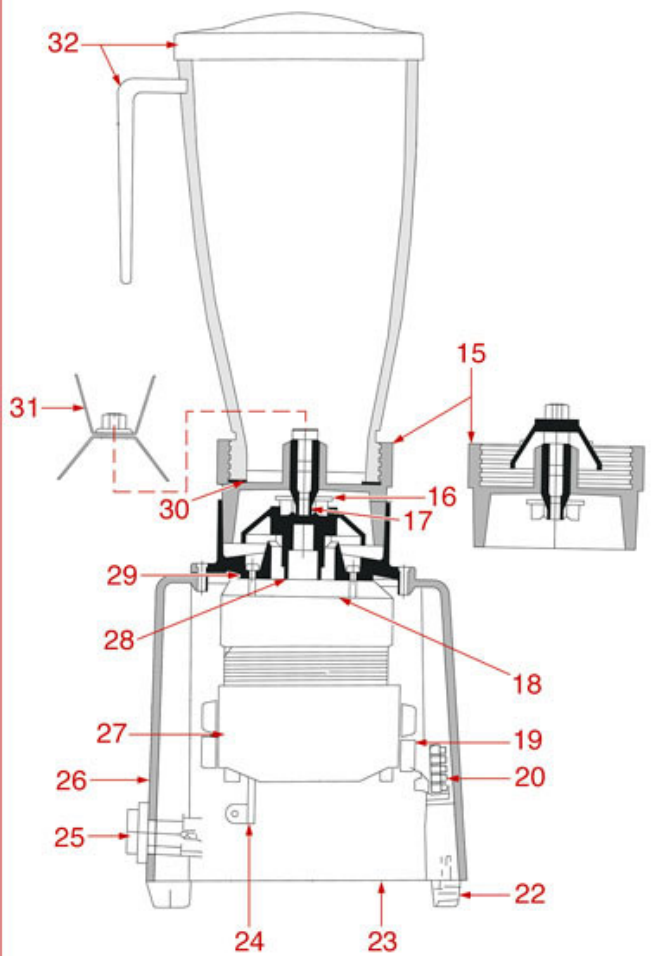


BLENDERS BB900-TB1000

BB900



TB1000





SAMMIC

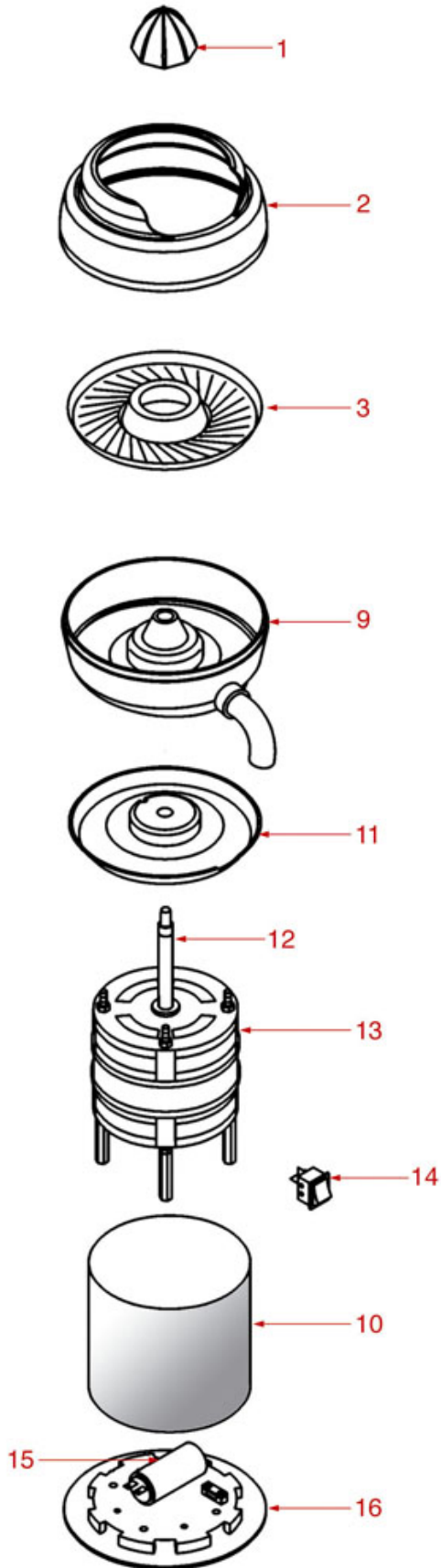


Position	LF code no.	Description
2	1250090	SPRING \varnothing 38x64 mm
4	3240151	MICROSWITCH 16A 250V
5	1381153	JUG SUPPORT
6	1080028	STAINLESS STEEL JUG
7	1381210	COMPLETE MIXER
16	1212002	NEW MODEL MALE GEAR 4 TEETH
16	1235006	MALE GEAR 8 TEETH OLD TYPE
17	1212003	FEMALE GEAR COUPLING 4 TEETH
17	1235005	GEAR COUPLING FEMALE 8 TEETH
25	1319157	ON-OFF-ON STABLE SELECTOR SWITCH
29	1186595	GASKET \varnothing 113x88x2 mm
30	1186488	JUG GASKET \varnothing 72x55x3 mm
31	1718001	THREE PIECES KNIFE SET

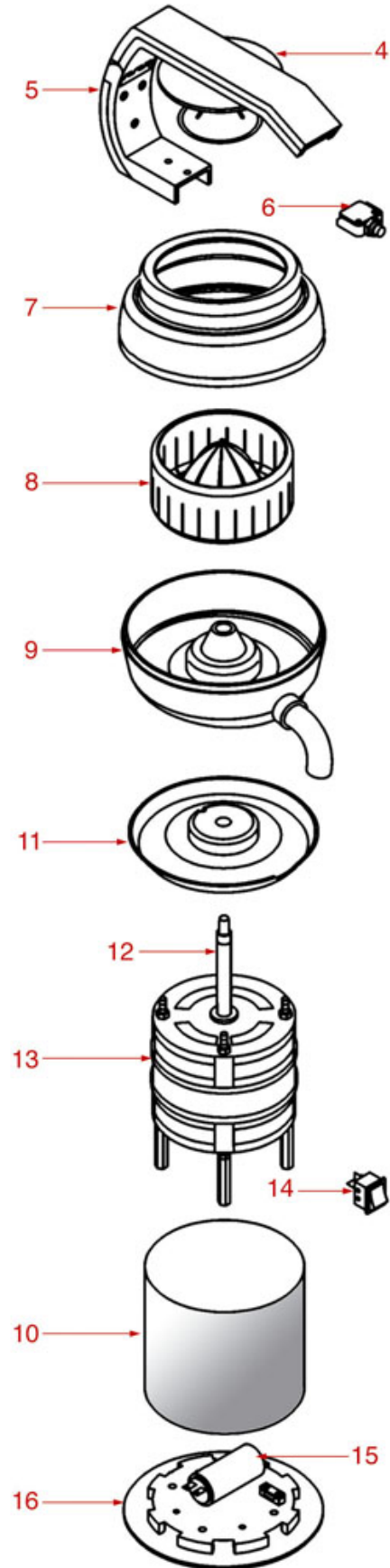


CITRUS SQUEEZER ECM-ECP

ECM



ECP





SAMMIC



Position	LF code no.	Description
1	1381152	PLASTIC CONE
4	1381157	PLATE ASSEMBLY
6	1319185	COMPLETE PUSH-BUTTON 16A 250V
8	1381156	STAINLESS STEEL CONE
14	1319185	COMPLETE PUSH-BUTTON 16A 250V
14	1319210	WHITE BIPOLAR SWITCH 16A 250V



SAMMIC



Position	LF code no.	Description
7	3755677	HEATING ELEMENT 1150W 240V
10	3250140	SPRING ø 27x110 mm
18	3755676	HEATING ELEMENT 850W 240V
21	3221337	ORANGE INDICATOR LAMP 250V
22	3444628	SINGLE-PHASE THERMOSTAT 50-250°C
29	3755675	WIRE HEATING ELEMENT
39	3319379	TRIPLE SINGLE POLE SWITCH 16A 250V
39	3319380	DOUBLE SINGLE POLE SWITCH 16A 250V
41	3317051	GRILL PLIER
43	3446117	TIMER 15 MINUTES



Suitable for:

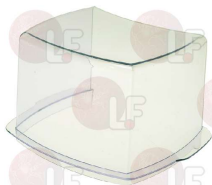
SAMMIC



Suitable for:

Bodies

5033536 **CONTAINER LID**
for SAMMIC LI-240



SAMMIC 6410467

1028117 **WASTE EJECTOR**
for Extractor (SAMMIC) LI-240



SAMMIC 6410417

Capacitors

3068065 **CAPACITOR 6 μ F 400V**
for Juice extractor (SAMMIC) ECM - ECP - EZM - EZP



SAMMIC 4420032

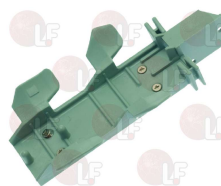
Citrus squeezers and accessories

1381210 **COMPLETE MIXER**



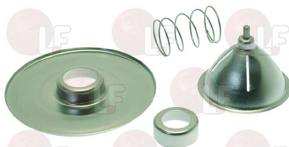
SAMMIC 6420108

1381153 **JUG SUPPORT**



SAMMIC 6420116

1381157 **PLATE ASSEMBLY**
for Juice extractor (SAMMIC) ECM - ECP - EZM - EZP



SAMMIC 4429030

Cones for citrus squeezers

1381125 **BIG CONE**



SAMMIC 37010001

SAMMIC 37010002

1381152 **PLASTIC CONE**
for Juice extractor (SAMMIC) ECM



SAMMIC 4420608



Suitable for:

1381156 STAINLESS STEEL CONE
for Juice extractor (SAMMIC) ECM - ECP



SAMMIC 4429033

Suitable for:

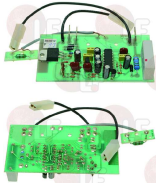
3381004 STAINLESS STEEL SCREEN
for Juice extractor (SAMMIC) ECM - EZM



SAMMIC 4420143

Electronic printed-circuit boards

1390121 CONTROL ELECTRONIC BOARD
dimensions 88x46 mm
for Extractor (SAMMIC) LI-420



SAMMIC 6410437

Feet

3313100 FOOT - 4 PCS
for BLENDER SAMMIC TB1000



SAMMIC 6420105

Filters

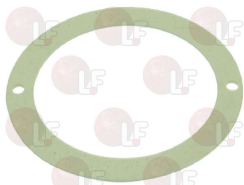
5025100 FILTER EXTRACTOR COUPLING
external \varnothing 93 mm
for Extractor (SAMMIC) LI-240



SAMMIC 6410400

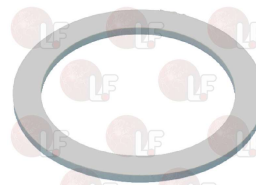
Gaskets and seals

1186595 GASKET \varnothing 113x88x2 mm
for Blender (SAMMIC) TB-1000



SAMMIC 6420113

1186488 JUG GASKET \varnothing 72x55x3 mm
for Blender (SAMMIC) TB-1000



SAMMIC 6420111



Suitable for:

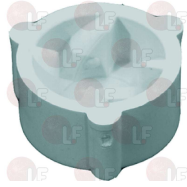
SAMMIC



Suitable for:

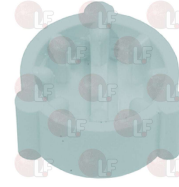
Gears

1212003 FEMALE GEAR COUPLING 4 TEETH



SAMMIC 6420126

1235005 GEAR COUPLING FEMALE 8 TEETH
OLD TYPE
for Blender (SAMMIC) TB-1000
for Blender (VEMA) - Series FR



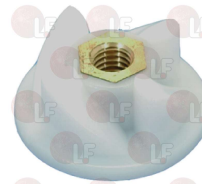
SAMMIC 6420125

1235006 MALE GEAR 8 TEETH OLD TYPE
for Blender (SAMMIC) TB-1000
for Blender (VEMA) - Series FR



SAMMIC 6420100

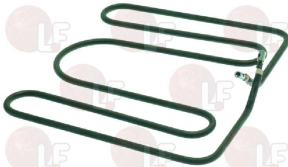
1212002 NEW MODEL MALE GEAR 4 TEETH
for Blender (SAMMIC) TB-1000



SAMMIC 6420128

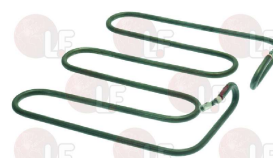
Heating elements

3755677 HEATING ELEMENT 1150W 240V
length 210 mm - width 225 mm
height 30 mm
for Panini grill electric (SAMMIC) GLD - GRD - GRL
GRS



SAMMIC 6100053

3755676 HEATING ELEMENT 850W 240V
length 210 mm - width 220 mm
height 25 mm
for Panini grill electric (SAMMIC) GLD - GRD - GRL
GRS



SAMMIC 6100051

3755675 WIRE HEATING ELEMENT
length 100 mm



SAMMIC 6100414



Inlet hoses

3449001 INLET ELBOW HOSE \varnothing 3/4" FF 150 cm

pipe \varnothing 10x16 mm
nylon fittings \varnothing 3/4" with gaskets
max temperature 90°C
max pressure 10 bar



SAMMIC 2309745

Jugs for blenders

3080018 COVER FOR JUG

for Blender (SAMMIC) TB-1000



SAMMIC 6420154

3080017 JUG 1.2 L

for Blender (SAMMIC) TB-1000



SAMMIC 6420152

3080018 COVER FOR JUG

for Blender (SAMMIC) TB-1000



SAMMIC 6420154

1080028 STAINLESS STEEL JUG

height 165 mm
max.external \varnothing 118 mm



SAMMIC 6420120



Suitable for:

SAMMIC



Suitable for:

Juice conveyors

3381005 CONTAINER ASSEMBLY
for Juice extractor (SAMMIC) ECM - ECP



SAMMIC 4420587

Knives

1718001 THREE PIECES KNIFE SET
for Blender (SAMMIC) TB-1000



SAMMIC 6420122

Knobs

3241586 BLACK KNOB \varnothing 42 mm
D shaft hole 6x4.6 mm



SAMMIC 6100412

Lamps

3221337 ORANGE INDICATOR LAMP 250V
head \varnothing 12 mm - hole \varnothing 9 mm - 125°C
wire connection length 200 mm



SAMMIC 6100026

3221024 RED INDICATOR LAMP 230V
head \varnothing 15 mm - hole \varnothing 13 mm - 120°C
universal application



SAMMIC 2309960

Meat rammers

1715001 BLACK MASHER
for SAMMIC LI240

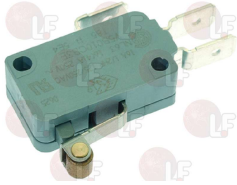


SAMMIC 6410427



Microswitches

1240016 MICROSWITCH 16A 250V
for Blender (ARISTARCO) GS/N



SAMMIC 2509124

SAMMIC 2509359

3240151 MICROSWITCH 16A 250V
for ZANUSSI TRAINO RT
for BIANCHI LEVEL TANK
for Blender (SAMMIC) BB-900 - TB-1000



SAMMIC 6420114

Motors

3340098 BOTTOM COUPLING ASSEMBLY
for Blender (SAMMIC) TB-1000



SAMMIC 6420107

3340096 COVER FOR MOTOR
for Blender (SAMMIC) TB-1000



SAMMIC 6420117

3340084 MOTOR
for Blender (SAMMIC) TB-1000



SAMMIC 6420135

3240906 MOTOR CHARCOALS - 2 PCS
for Blender (SAMMIC) TB-1000



SAMMIC 6420110

3340081 MOTOR CP/P35 230V
for Juice extractor (SAMMIC) ECM - ECP



SAMMIC 4429034

5055812 MOTOR 240V
for Extractor (SAMMIC) LI-240

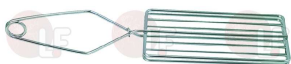


SAMMIC 6410441

SAMMIC 6410444

Pliers for sandwiches

3317051 GRILL PLIER
length 100 mm
height 180 mm
for Toaster



SAMMIC 6100413



Suitable for:

SAMMIC



Suitable for:

Springs

3250140 SPRING \varnothing 27x110 mm
for SANDWICH PLATE GRS-GRD-GLD-GRL



SAMMIC 6100203

1250090 SPRING \varnothing 38x64 mm



SAMMIC 6420140

Switches

1319185 COMPLETE PUSH-BUTTON 16A 250V



SAMMIC 4429570

3319380 DOUBLE SINGLE POLE SWITCH 16A 250V
mounting hole 28x53 mm
for Toaster (SAMMIC) TP-10



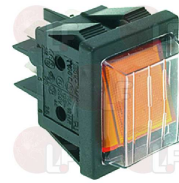
SAMMIC 6100408

1319157 ON-OFF-ON STABLE SELECTOR SWITCH
16A 250V - with cap
max.temperature 120°C
mounting hole 22x30 mm
for Blender (SAMMIC) TB-1000



SAMMIC 6420106

3319088 ORANGE BIPOLAR SWITCH 250V 16A
with indicator lamp and push-button cover
temperature max 120°C
mounting hole 22x30 mm
for Juice extractor (SANTOS) 10



SAMMIC 2306538

3319379 TRIPLE SINGLE POLE SWITCH 16A 250V
mounting hole 28x77 mm
for Toaster (SAMMIC) TP-20



SAMMIC 6100410

1319210 WHITE BIPOLAR SWITCH 16A 250V
with indicator light and push-button cap
silk-screen print 0-1
temperature max 120°C
mounting hole 22x30
for Juice extractor (SAMMIC) ECM - ECP



SAMMIC 2310416

Thermostats

3444009 BLACK KNOB \varnothing 41 mm 0-120°C
D-shaped pin \varnothing 6x4.6 mm
for thermostat TR/2



SAMMIC 2309065

3444008 BLACK KNOB \varnothing 41 mm 0-90°C
D-shaped pin \varnothing 6x4.6 mm
for thermostat TR/2



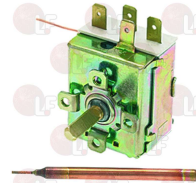
SAMMIC 2309065

3444628 SINGLE-PHASE THERMOSTAT 50-250°C
complete with knob and nut
D-shaped pin \varnothing 6x4.6 mm
capillary length 800 mm
bulb \varnothing 3x180 mm
for Panini grill electric (SAMMIC) GLD - GRD - GRL
GRS



SAMMIC 6100070

3444004 THERMOSTAT TR2 0-90°C
D-shaped pin \varnothing 6x4.6 mm
capillary 1500 mm - 15A 250V
bulb \varnothing 6.5x95 mm



SAMMIC 2309068

Timers

3446117 TIMER 15 MINUTES
manually set mechanical timer
manually set cycle 15 minutes
contact capacity 16(4)A 250V
max temperature 85°C
D-shaped pin \varnothing 6x4.6 mm
complete with knob
for SANDWICH HOT PLATE-TOASTER



SAMMIC 6100420



Suitable for:

SAMMIC



Suitable for:

Water softeners and accessories

3010061 MANUAL WATER SOFTENER 12 L \varnothing 3/4"
stainless steel cylinder capacity 12 L
connection fittings 3/4"
dimensions: height 500 mm - \varnothing 185 mm
resin content 9 L
regeneration salt(NaCl-table salt)1.5 Kg
for average dishwashers and dispensers
for 3-group coffee machines



SAMMIC 5320010

3010062 MANUAL WATER SOFTENER 16 L \varnothing 3/4"
stainless steel cylinder capacity 16 L
connection fittings 3/4"
dimensions: height 600 mm - \varnothing 185 mm
resin content 12 L
regeneration salt(NaCl-table salt)2 Kg
for cup washers and dishwashers, large dispensers
for 4-group coffee machines



SAMMIC 5320015

3010063 MANUAL WATER SOFTENER 20 L \varnothing 3/4"
stainless steel cylinder capacity 20 L
connection fittings 3/4"
dimensions: height 900 mm - \varnothing 185 mm
resin content 15 L
regeneration salt(NaCl-table salt)3 Kg
for dishwashers, large automatic dispensers
for 4-group coffee machines



SAMMIC 5320020

3010060 MANUAL WATER SOFTENER 8 L \varnothing 3/4"
stainless steel cylinder capacity 8 L
connection fittings 3/4"
dimensions: height 400 mm - \varnothing 185 mm
resin content 5.8 L
regeneration salt(NaCl-table salt)1 Kg
for cup washers, small automatic dispensers
for 2-group coffee machines



SAMMIC 5320005

The data herewith contained may change without notice and LF SpA cannot be held responsible for possible errors stated or resulting by the use of this document. All rights reserved. No part of this publication may be reproduced without written permission by LF SpA.



LF SpA
via Voltri, 80 - 47522 Cesena (FC) ITALIA
Tel. +39 0547 34 11 11 - Fax +39 0547 34 11 10
www.lfricambi724.it - www.lfricambi724.mobi
info@lfricambi.it
Export Dept.: Tel. +39 0547 34 11 50 - Fax: +39 0547 34 11 55
www.lfspareparts724.com - www.lfspareparts724.mobi
export@lfspaceparts.com

FRANCE



EPGC Sas
13, Rue des Forts - 59960 Neuville en Ferrain
Tél. +33 (0)3 20 25 06 21
Fax +33 (0)3 20 25 34 12
www.epgc.com
www.epgc724.mobi
epgc@epgc.com

DEUTSCHLAND



LF GmbH
Junkersstrasse, 1 - D-82178 Puchheim - München
Tel. +49 89 89 45 78 66
Fax +49 89 89 45 78 88
www.lfersatzteile724.de
www.lfersatzteile724.mobi
info@lfersatzteile.de

SCHWEIZ



LF GmbH Verkaufsbüro
Sennweidstrasse, 45 - CH-6312 Steinhausen
Tel. +41 (0)41 760 15 80-1
Fax +41 (0)41 760 15 85
www.lfersatzteile724.ch
www.lfersatzteile724.mobi
info@lfersatzteile.ch

ESPAÑA



LF Repuestos Horeca S.L.U.
Calle Ciudad Real, 10 - 45517 Escalonilla - Toledo
Tif. +34 91 477 91 00
Fax +34 91 477 90 81
www.lfrepuestos724.es
www.lfrepuestos724.mobi
info@lfrepuestos.es

UNITED KINGDOM



LF Spare Parts Ltd.
A10a Lakeside Business Park, Broadway Lane
South Cerney, Gloucestershire GL7 5XL
Tel. +44 (0)1285 86 16 25
Fax +44 (0)1285 86 39 49
www.lfspareparts724.co.uk
www.lfspareparts724.mobi
info@lfspaceparts.co.uk

RUSSIA



OOO LF
ul, Anatoliya Zhivova, 8 - office 1 - 123100 Moscow
Tel. +7 499 259 85 75
Fax +7 495 725 26 53
www.lfspareparts724.ru
www.lfspareparts724.mobi
info@lfspaceparts.ru

CHINA



LF China
Room 102, House 8, Lane 725, Mao Tai Rd.
Changning Dist. - 200336 Shanghai
Tel. +86 (0)21 33 53 66 31
Fax +86 (0)21 33 53 66 32
www.lfspareparts724.com
www.lfspareparts724.mobi
china@lfspaceparts.com