



Spare parts for:

Bar equipment



Suitable for:

SENCOTEL



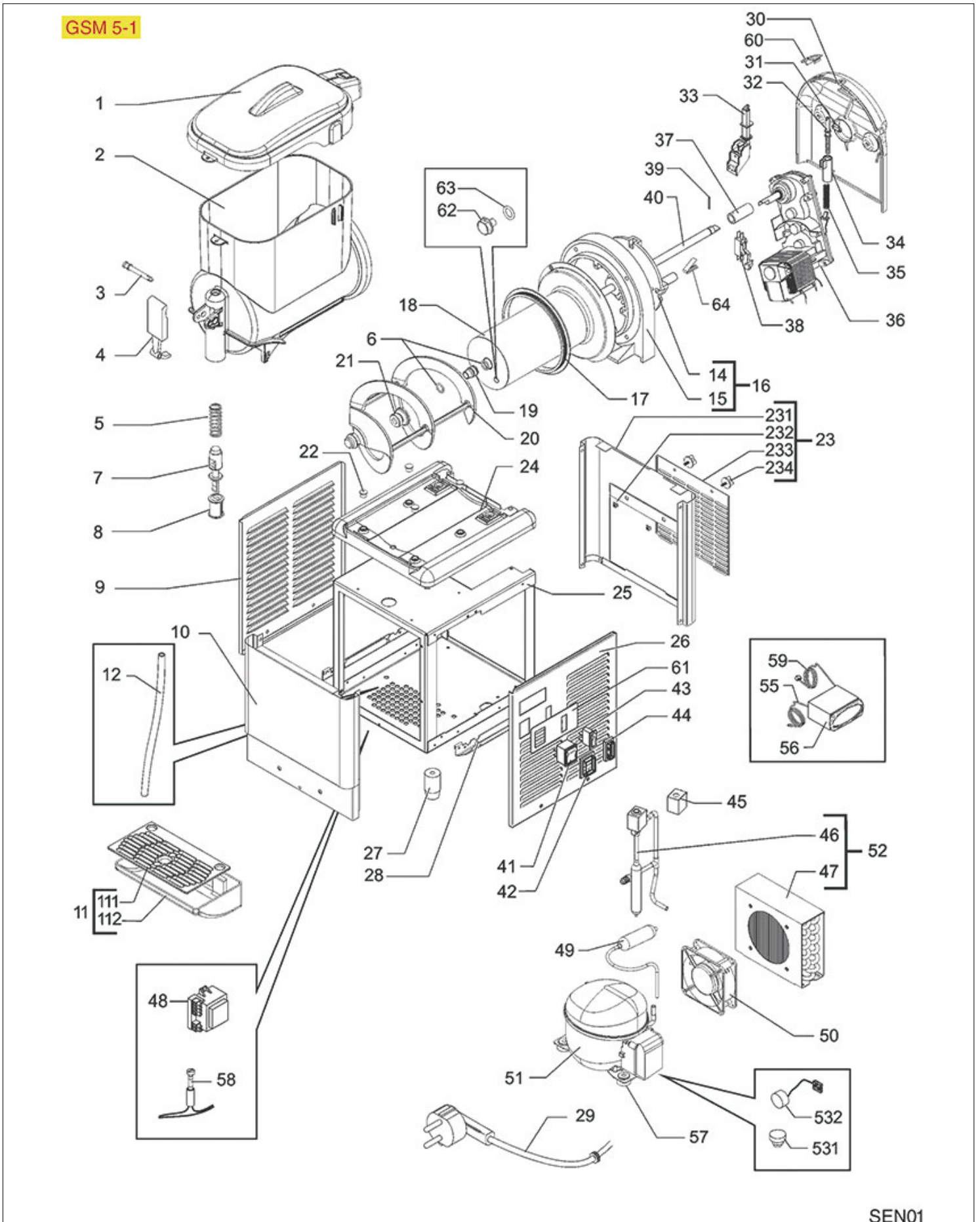
This catalogue is automatically generated.
Therefore, the sequence of the items might
not be always shown at best.
Updates will be issued in case of additions
and/or amendments.

*Suitable **universal spare parts** may not be included*





GSM 5-1



Positions without LF code no.: upon request



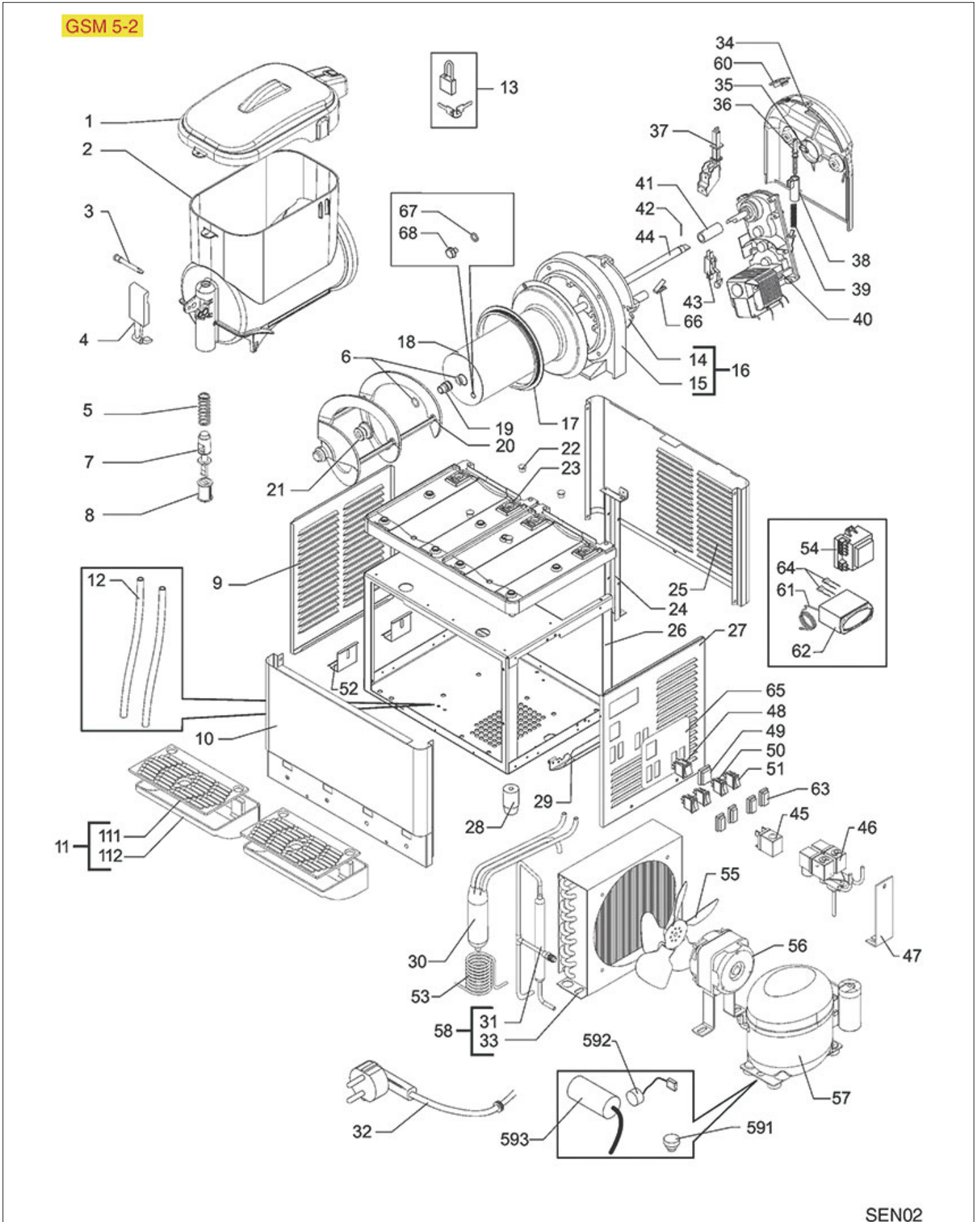
SENCOTEL



Position	LF code no.	Description
1	1521004	BLACK LID FOR GRANITA MACHINE TANK
2	1521003	TANK 5 L FOR GRANITA MACHINE
3	1357026	DELIVERY TAP CLASP
4	1357025	BLACK TAP CONTROL LEVER
5	1250700	SPRING FOR TAP
6	1786238	ORM GASKET 0015-20 RED SILICONE
7	1357027	DISPENSER TAP PISTON
8	1786239	GASKET FOR DISPENSER TAP
11	1015041	BLACK DRIP TANK
17	1197010	TANK GASKET FOR GRANITA MACHINE
19	1704003	BUSHING FOR GRANITA MACHINE SCROLL
20	1719060	GRANITA MACHINE SCROLL \varnothing 147x248 mm
21	1786240	GASKET FOR GRANITA MACHINE SCROLL
27	1313300	SUPPORTING FOOT H=40 mm
31	1199515	RETAINER FOR DENSITY ADJUSTMENT
32	1199516	PIN FOR DENSITY ADJUSTMENT
34	1199311	SPRING GUIDE FOR ADJUSTMENT SYSTEM
36	5035146	GEARMOTOR KENTA K9357511
38	1199309	MICROSWITCH 5A 250V
41	1319202	GREEN TWO-POLE SWITCH 16A 250V
42	3319501	SWITCH PROTECTION CAP
50	3240563	MOTOR VENTILATOR EBM 127x127x38 mm
55	1397055	TEMPERATURE PROBE



GSM 5-2





SENCOTEL

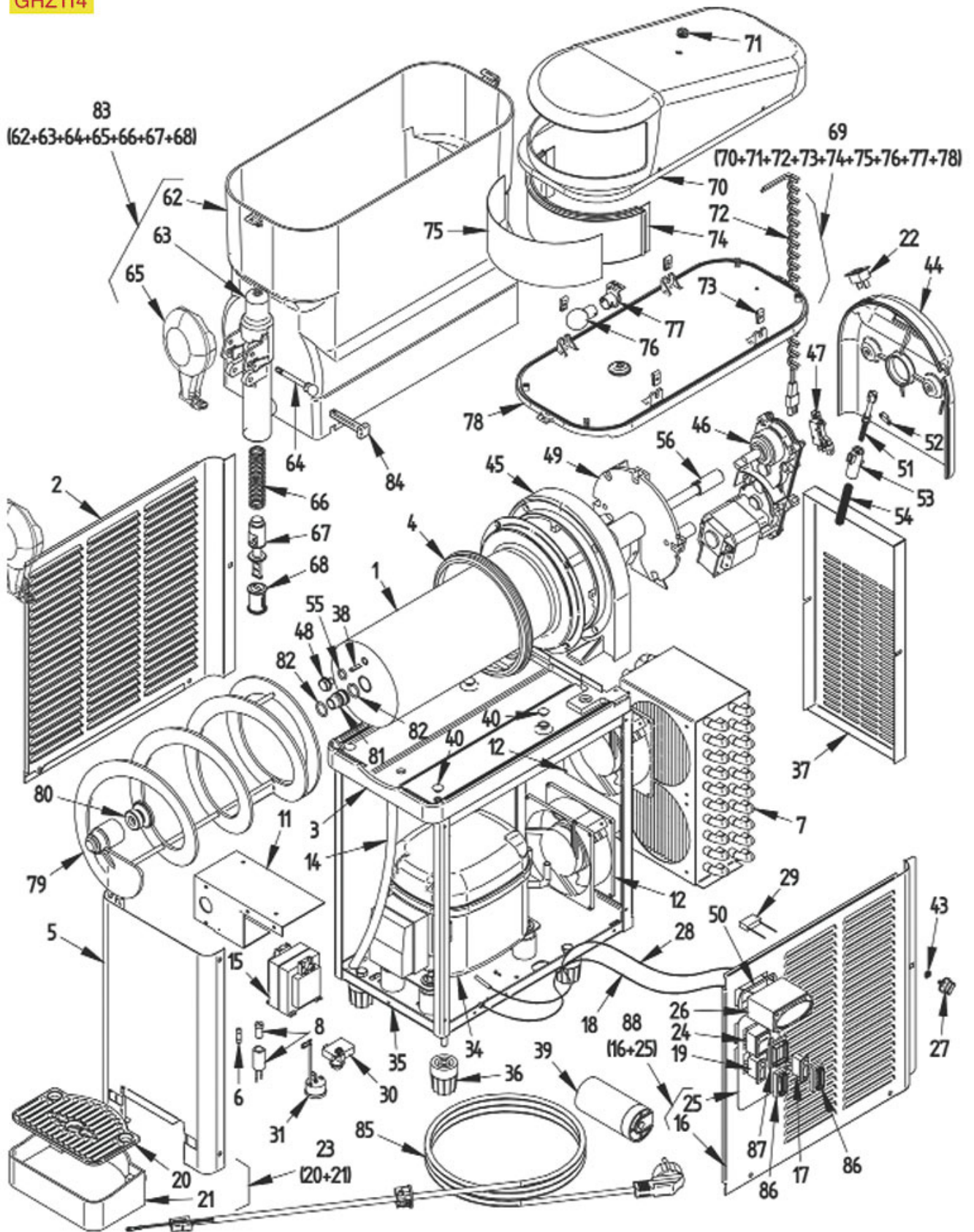


Position	LF code no.	Description
1	1521004	BLACK LID FOR GRANITA MACHINE TANK
2	1521003	TANK 5 L FOR GRANITA MACHINE
3	1357026	DELIVERY TAP CLASP
4	1357025	BLACK TAP CONTROL LEVER
5	1250700	SPRING FOR TAP
6	1786238	ORM GASKET 0015-20 RED SILICONE
7	1357027	DISPENSER TAP PISTON
8	1786239	GASKET FOR DISPENSER TAP
11	1015041	BLACK DRIP TANK
17	1197010	TANK GASKET FOR GRANITA MACHINE
19	1704003	BUSHING FOR GRANITA MACHINE SCROLL
20	1719060	GRANITA MACHINE SCROLL \varnothing 147x248 mm
21	1786240	GASKET FOR GRANITA MACHINE SCROLL
28	1313300	SUPPORTING FOOT H=40 mm
35	1199515	RETAINER FOR DENSITY ADJUSTMENT
36	1199516	PIN FOR DENSITY ADJUSTMENT
38	1199311	SPRING GUIDE FOR ADJUSTMENT SYSTEM
40	5035146	GEARMOTOR KENTA K9357511
43	1199309	MICROSWITCH 5A 250V
45	1199316	COIL CEME B4 230V 50 Hz
46	1120253	2-WAY SOLENOID VALVE CEME
48	1319202	GREEN TWO-POLE SWITCH 16A 250V
49	3319501	SWITCH PROTECTION CAP
50	3319468	BLACK SINGLE POLE SWITCH 16A 250V



GHZ114

GHZ114





SENCOTEL

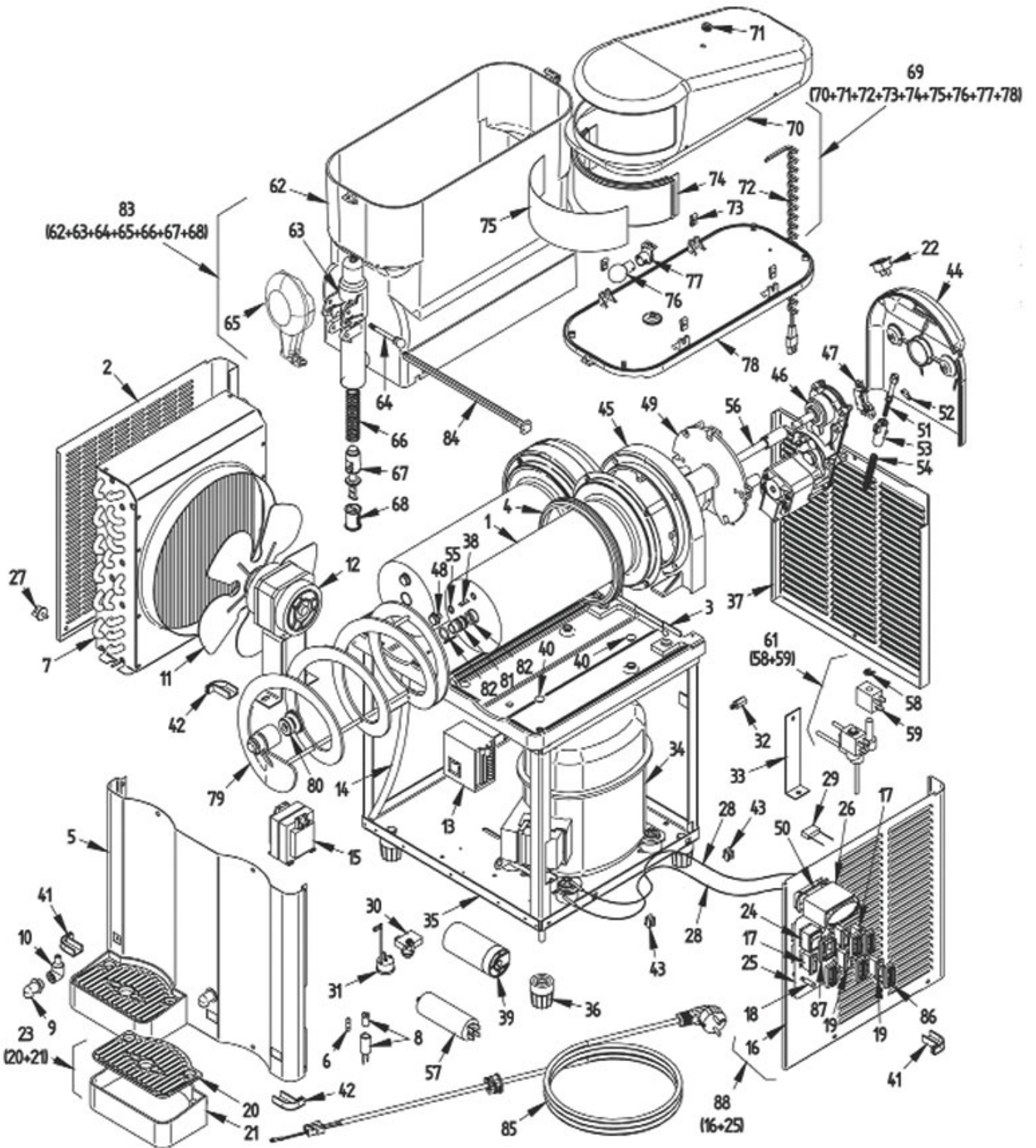


Position	LF code no.	Description
4	1199322	EVAPORATOR GASKET \varnothing 170 mm
12	3240501	AXIAL VENTILATOR SUNON 120x120x38 mm
15	1199301	TRANSFORMER 20VA 12/220V
17	3319468	BLACK SINGLE POLE SWITCH 16A 250V
19	1199303	BLACK THREE-POLE SWITCH 16A 250V
21	1199345	DRIP TRAY
24	1319202	GREEN TWO-POLE SWITCH 16A 250V
28	1397055	TEMPERATURE PROBE
36	1313300	SUPPORTING FOOT H=40 mm
47	1199309	MICROSWITCH 5A 250V
52	1199515	RETAINER FOR DENSITY ADJUSTMENT
53	1199311	SPRING GUIDE FOR ADJUSTMENT SYSTEM
54	1250701	SPRING FOR DENSITY ADJUSTMENT
56	1199518	SHAFT COUPLING WITH BUSHING
64	1199504	TAP SPINDLE
67	1357027	DISPENSER TAP PISTON
76	1199327	LAMP 21W 12V
79	1199508	SCROLL GRANITA MACHINE
80	1786240	GASKET FOR GRANITA MACHINE SCROLL
81	1704003	BUSHING FOR GRANITA MACHINE SCROLL
82	1786238	ORM GASKET 0015-20 RED SILICONE
87	3319501	SWITCH PROTECTION CAP



GHZ228

GHZ228





SENCOTEL

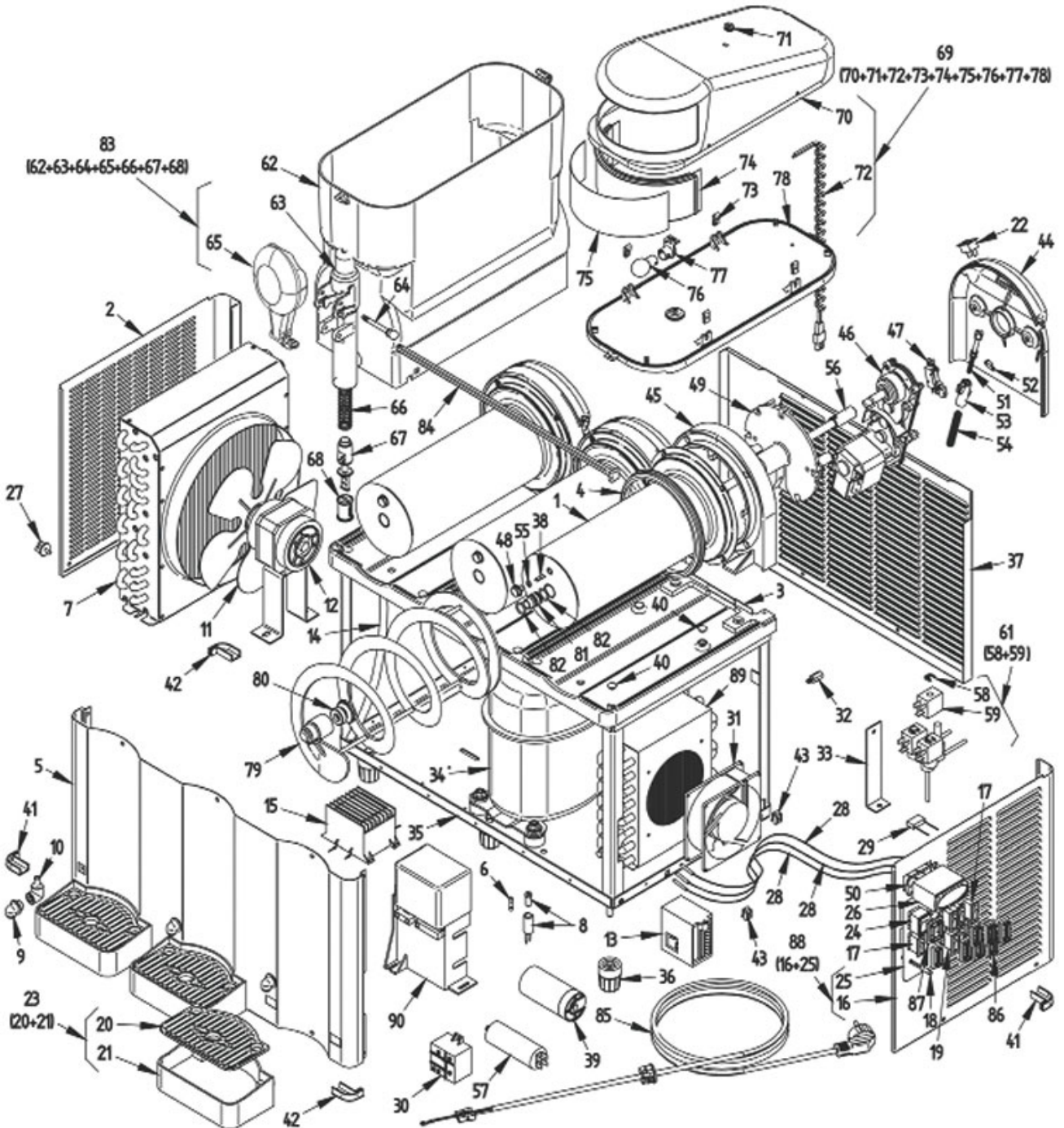


Position	LF code no.	Description
4	1199322	EVAPORATOR GASKET \varnothing 170 mm
11	3240964	SUCTION BLADE \varnothing 250 mm 28°
17	3319468	BLACK SINGLE POLE SWITCH 16A 250V
18	1199308	GREEN INDICATOR LIGHT 230V
19	1199303	BLACK THREE-POLE SWITCH 16A 250V
21	1199345	DRIP TRAY
24	1319202	GREEN TWO-POLE SWITCH 16A 250V
36	1313300	SUPPORTING FOOT H=40 mm
47	1199309	MICROSWITCH 5A 250V
52	1199515	RETAINER FOR DENSITY ADJUSTMENT
53	1199311	SPRING GUIDE FOR ADJUSTMENT SYSTEM
54	1250701	SPRING FOR DENSITY ADJUSTMENT
56	1199518	SHAFT COUPLING WITH BUSHING
64	1199504	TAP SPINDLE
67	1357027	DISPENSER TAP PISTON
76	1199327	LAMP 21W 12V
79	1199508	SCROLL GRANITA MACHINE
80	1786240	GASKET FOR GRANITA MACHINE SCROLL
81	1704003	BUSHING FOR GRANITA MACHINE SCROLL
82	1786238	ORM GASKET 0015-20 RED SILICONE
87	3319501	SWITCH PROTECTION CAP



GHZ342

GHZ342



SEN05

Positions without LF code no.: upon request



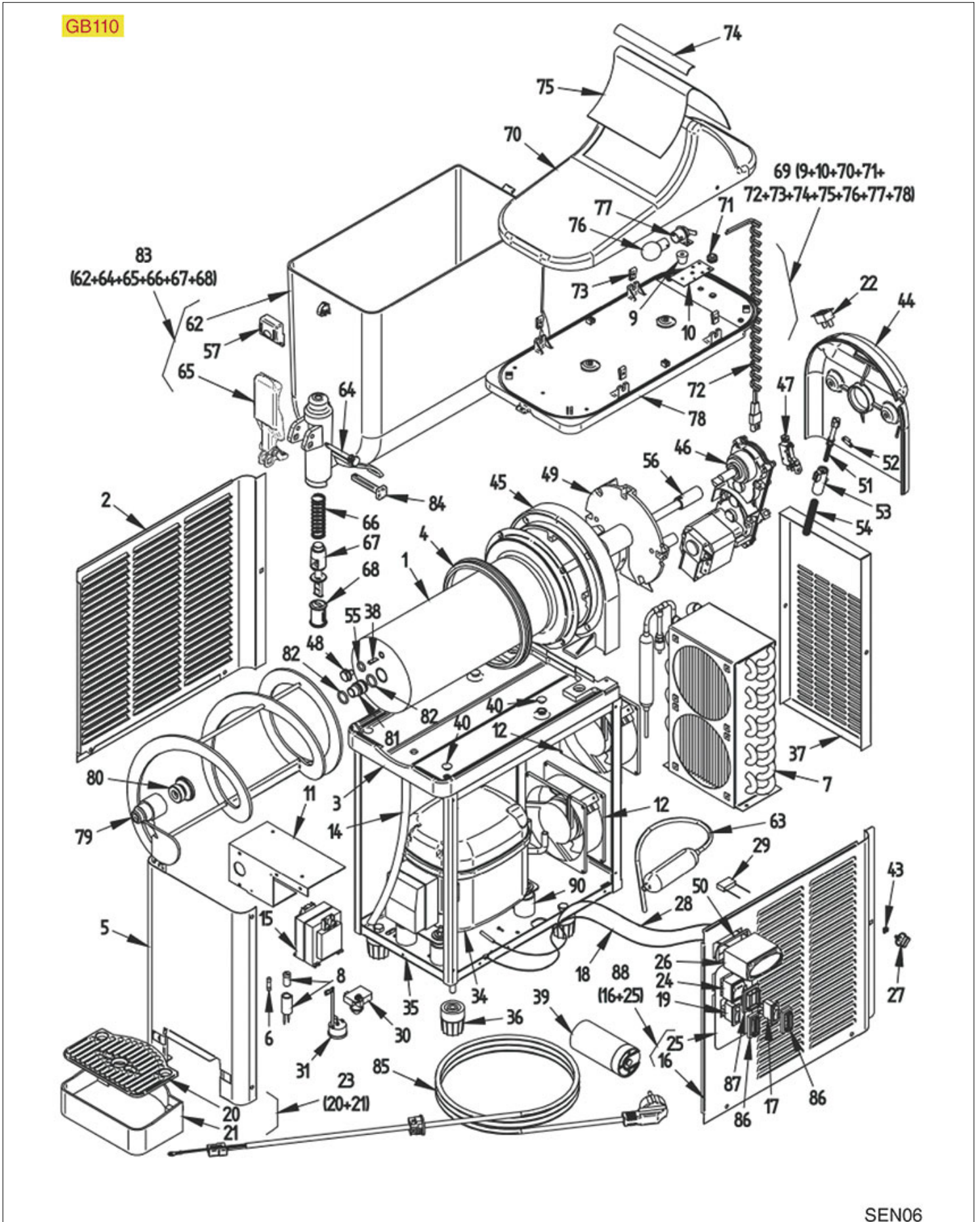
SENCOTEL



Position	LF code no.	Description
4	1199322	EVAPORATOR GASKET \varnothing 170 mm
11	3240964	SUCTION BLADE \varnothing 250 mm 28°
17	3319468	BLACK SINGLE POLE SWITCH 16A 250V
18	1199308	GREEN INDICATOR LIGHT 230V
19	1199303	BLACK THREE-POLE SWITCH 16A 250V
21	1199345	DRIP TRAY
24	1319202	GREEN TWO-POLE SWITCH 16A 250V
31	3240501	AXIAL VENTILATOR SUNON 120x120x38 mm
36	1313300	SUPPORTING FOOT H=40 mm
47	1199309	MICROSWITCH 5A 250V
52	1199515	RETAINER FOR DENSITY ADJUSTMENT
53	1199311	SPRING GUIDE FOR ADJUSTMENT SYSTEM
54	1250701	SPRING FOR DENSITY ADJUSTMENT
56	1199518	SHAFT COUPLING WITH BUSHING
64	1199504	TAP SPINDLE
67	1357027	DISPENSER TAP PISTON
76	1199327	LAMP 21W 12V
79	1199508	SCROLL GRANITA MACHINE
80	1786240	GASKET FOR GRANITA MACHINE SCROLL
81	1704003	BUSHING FOR GRANITA MACHINE SCROLL
82	1786238	ORM GASKET 0015-20 RED SILICONE
87	3319501	SWITCH PROTECTION CAP



GB110



Positions without LF code no.: upon request



SENCOTEL

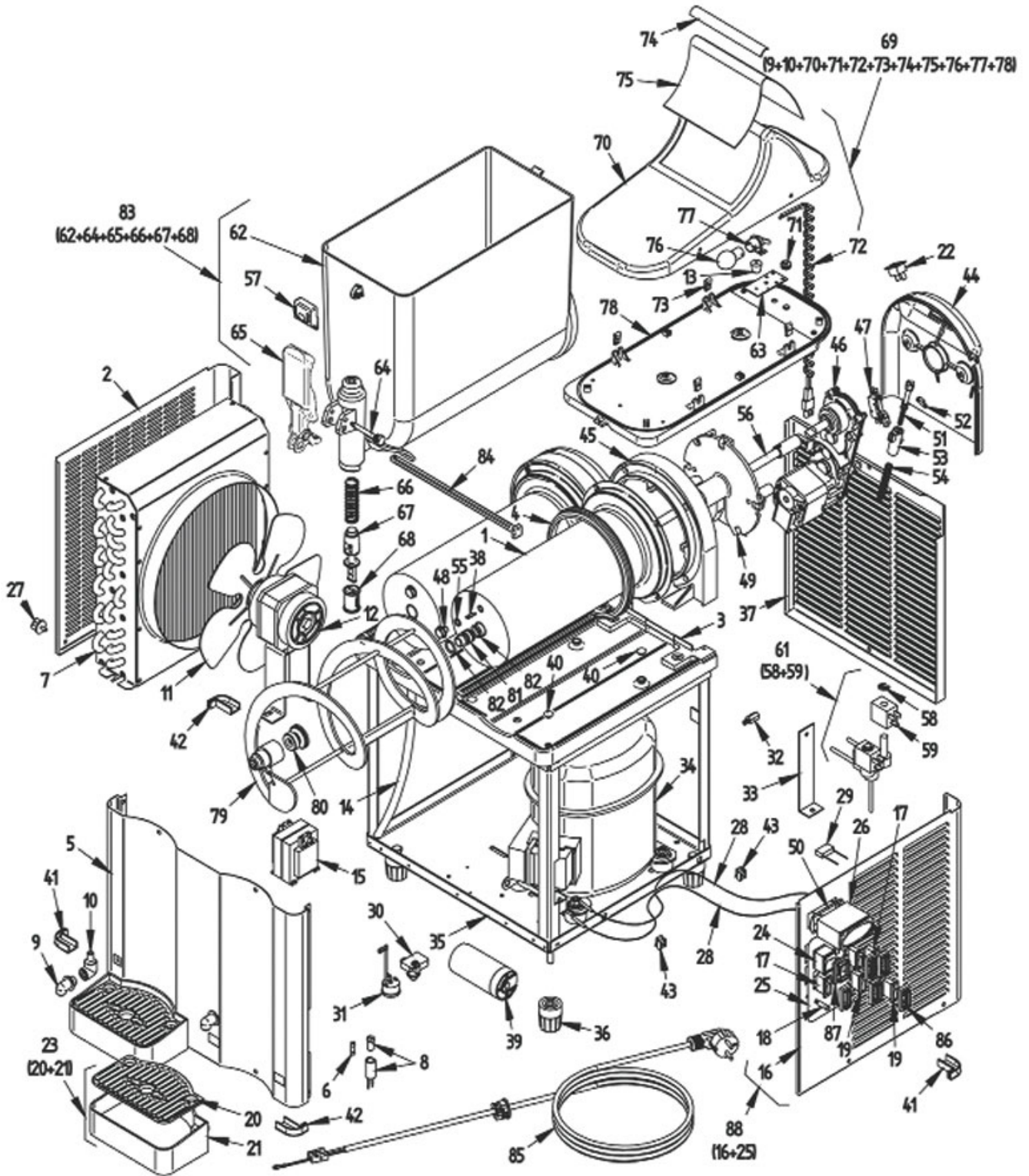


Position	LF code no.	Description
4	1199322	EVAPORATOR GASKET ø 170 mm
12	3240501	AXIAL VENTILATOR SUNON 120x120x38 mm
15	1199301	TRANSFORMER 20VA 12/220V
17	3319468	BLACK SINGLE POLE SWITCH 16A 250V
19	1199303	BLACK THREE-POLE SWITCH 16A 250V
21	1199345	DRIP TRAY
24	1319202	GREEN TWO-POLE SWITCH 16A 250V
28	1397055	TEMPERATURE PROBE
36	1313300	SUPPORTING FOOT H=40 mm
47	1199309	MICROSWITCH 5A 250V
52	1199515	RETAINER FOR DENSITY ADJUSTMENT
53	1199311	SPRING GUIDE FOR ADJUSTMENT SYSTEM
54	1250701	SPRING FOR DENSITY ADJUSTMENT
56	1199518	SHAFT COUPLING WITH BUSHING
64	1199350	SPINDLE FOR TAP LEVER
67	1357027	DISPENSER TAP PISTON
76	1199327	LAMP 21W 12V
79	1199320	NEW SCROLL ADAPTER KIT
80	1786240	GASKET FOR GRANITA MACHINE SCROLL
81	1704003	BUSHING FOR GRANITA MACHINE SCROLL
82	1786238	ORM GASKET 0015-20 RED SILICONE
87	3319501	SWITCH PROTECTION CAP



GB220

GB220





SENCOTEL

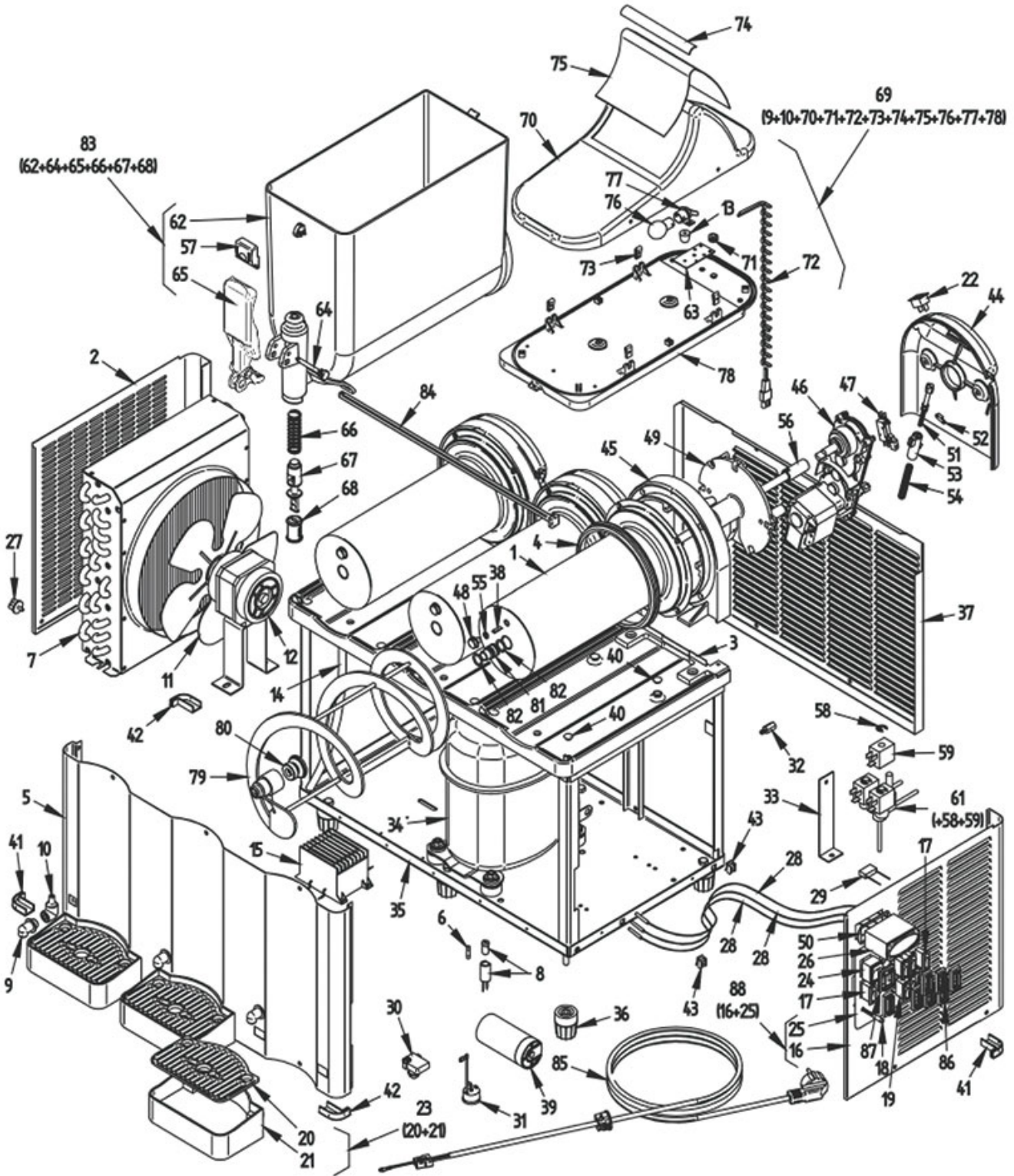


Position	LF code no.	Description
4	1199322	EVAPORATOR GASKET \varnothing 170 mm
11	3240964	SUCTION BLADE \varnothing 250 mm 28°
17	3319468	BLACK SINGLE POLE SWITCH 16A 250V
19	1199303	BLACK THREE-POLE SWITCH 16A 250V
21	1199345	DRIP TRAY
24	1319202	GREEN TWO-POLE SWITCH 16A 250V
36	1313300	SUPPORTING FOOT H=40 mm
47	1199309	MICROSWITCH 5A 250V
52	1199515	RETAINER FOR DENSITY ADJUSTMENT
53	1199311	SPRING GUIDE FOR ADJUSTMENT SYSTEM
54	1250701	SPRING FOR DENSITY ADJUSTMENT
56	1199518	SHAFT COUPLING WITH BUSHING
64	1199350	SPINDLE FOR TAP LEVER
67	1357027	DISPENSER TAP PISTON
76	1199327	LAMP 21W 12V
79	1199320	NEW SCROLL ADAPTER KIT
80	1786240	GASKET FOR GRANITA MACHINE SCROLL
81	1704003	BUSHING FOR GRANITA MACHINE SCROLL
82	1786238	ORM GASKET 0015-20 RED SILICONE
87	3319501	SWITCH PROTECTION CAP



GB330

GB330





SENCOTEL

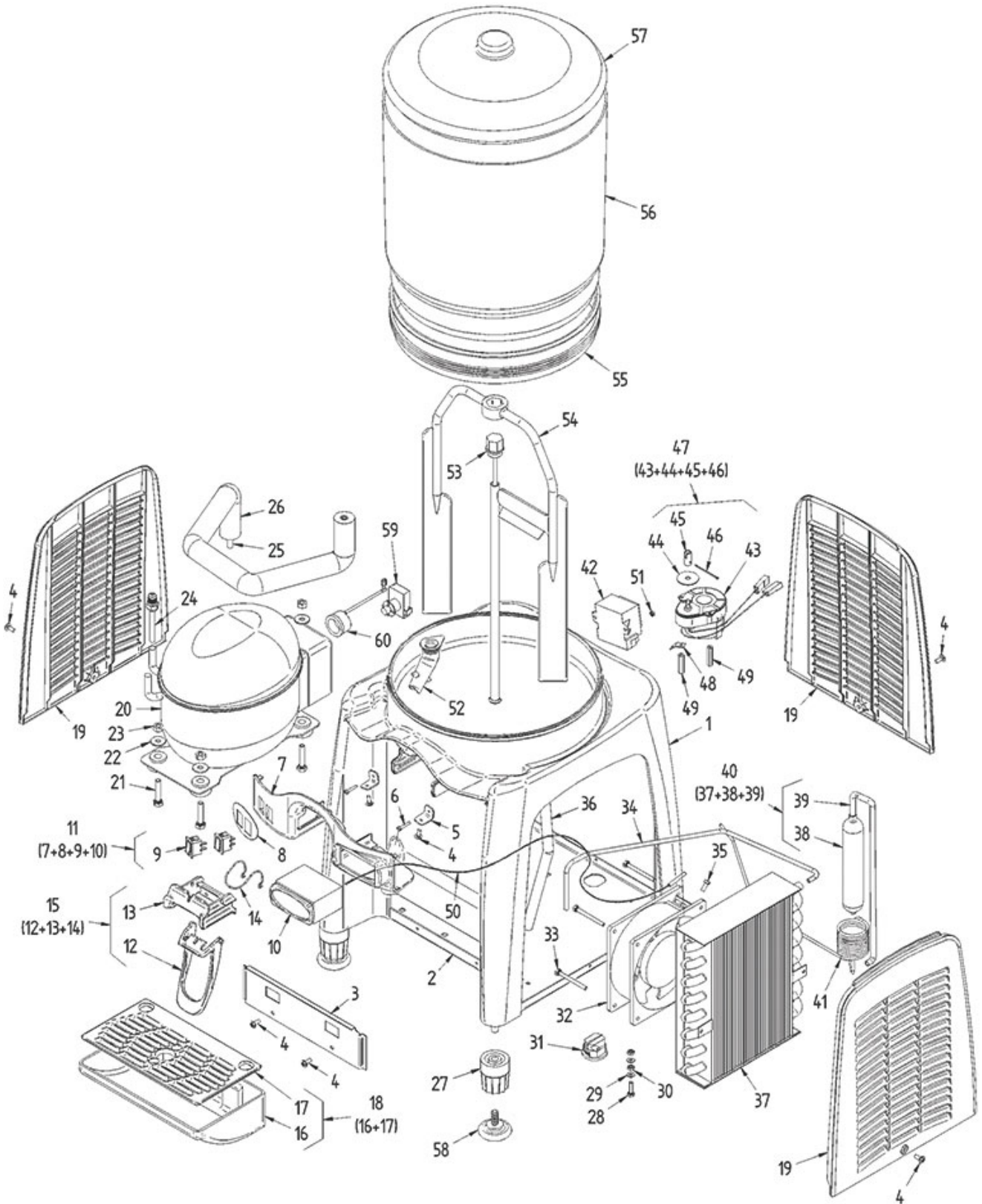


Position	LF code no.	Description
4	1199322	EVAPORATOR GASKET \varnothing 170 mm
11	3240964	SUCTION BLADE \varnothing 250 mm 28°
17	3319468	BLACK SINGLE POLE SWITCH 16A 250V
19	1199303	BLACK THREE-POLE SWITCH 16A 250V
21	1199345	DRIP TRAY
24	1319202	GREEN TWO-POLE SWITCH 16A 250V
36	1313300	SUPPORTING FOOT H=40 mm
47	1199309	MICROSWITCH 5A 250V
52	1199515	RETAINER FOR DENSITY ADJUSTMENT
53	1199311	SPRING GUIDE FOR ADJUSTMENT SYSTEM
54	1250701	SPRING FOR DENSITY ADJUSTMENT
56	1199518	SHAFT COUPLING WITH BUSHING
64	1199350	SPINDLE FOR TAP LEVER
67	1357027	DISPENSER TAP PISTON
76	1199327	LAMP 21W 12V
79	1199320	NEW SCROLL ADAPTER KIT
80	1786240	GASKET FOR GRANITA MACHINE SCROLL
81	1704003	BUSHING FOR GRANITA MACHINE SCROLL
82	1786238	ORM GASKET 0015-20 RED SILICONE
87	3319501	SWITCH PROTECTION CAP



E112

E112



SEN09

Positions without LF code no.: upon request



SENCOTEL

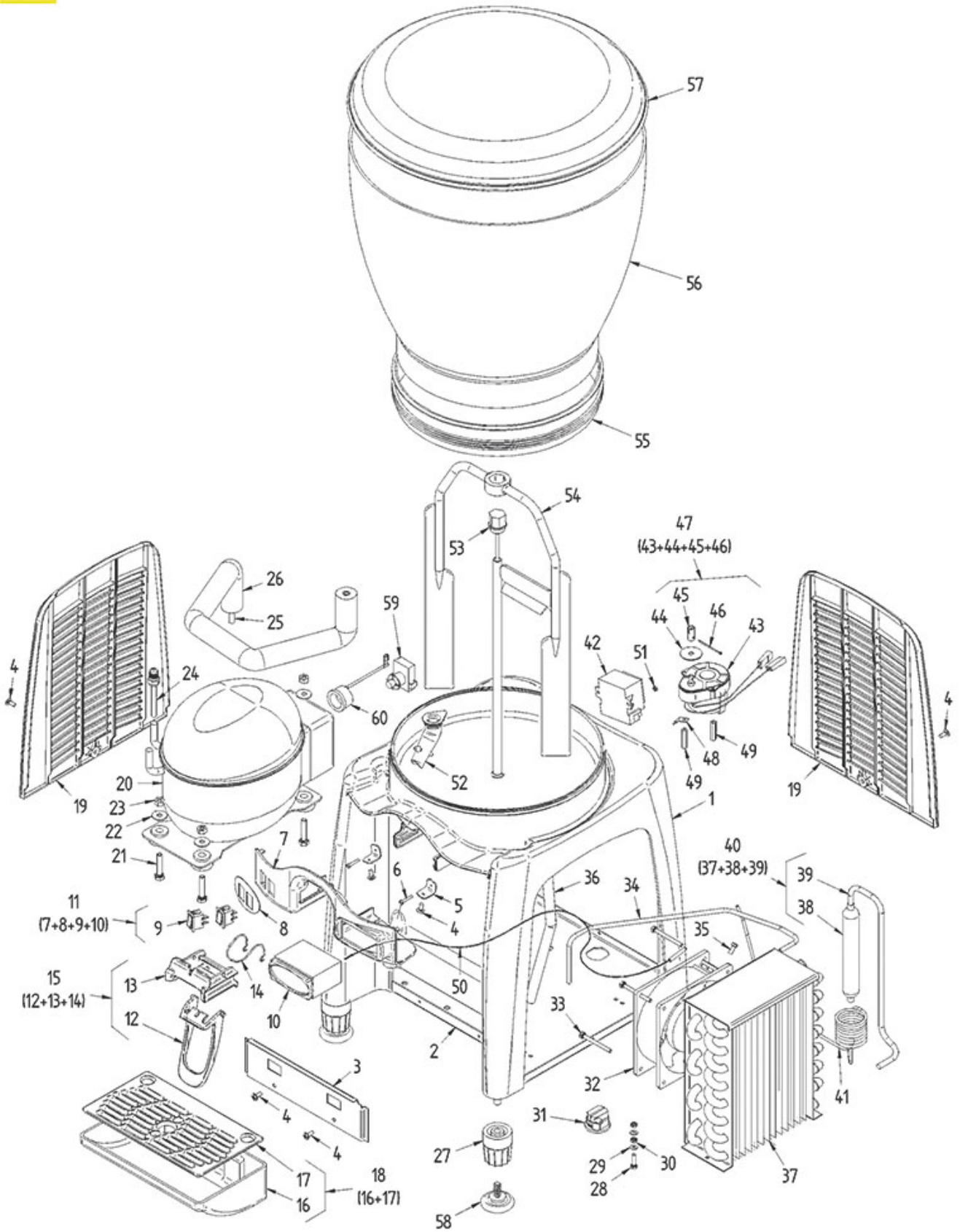


Position	LF code no.	Description
9	1199343	BLACK SINGLE-POLE SWITCH 6A 250V
18	1015041	BLACK DRIP TANK
27	1313300	SUPPORTING FOOT H=40 mm
32	3240501	AXIAL VENTILATOR SUNON 120x120x38 mm
50	1397055	TEMPERATURE PROBE



E120

E120





SENCOTEL

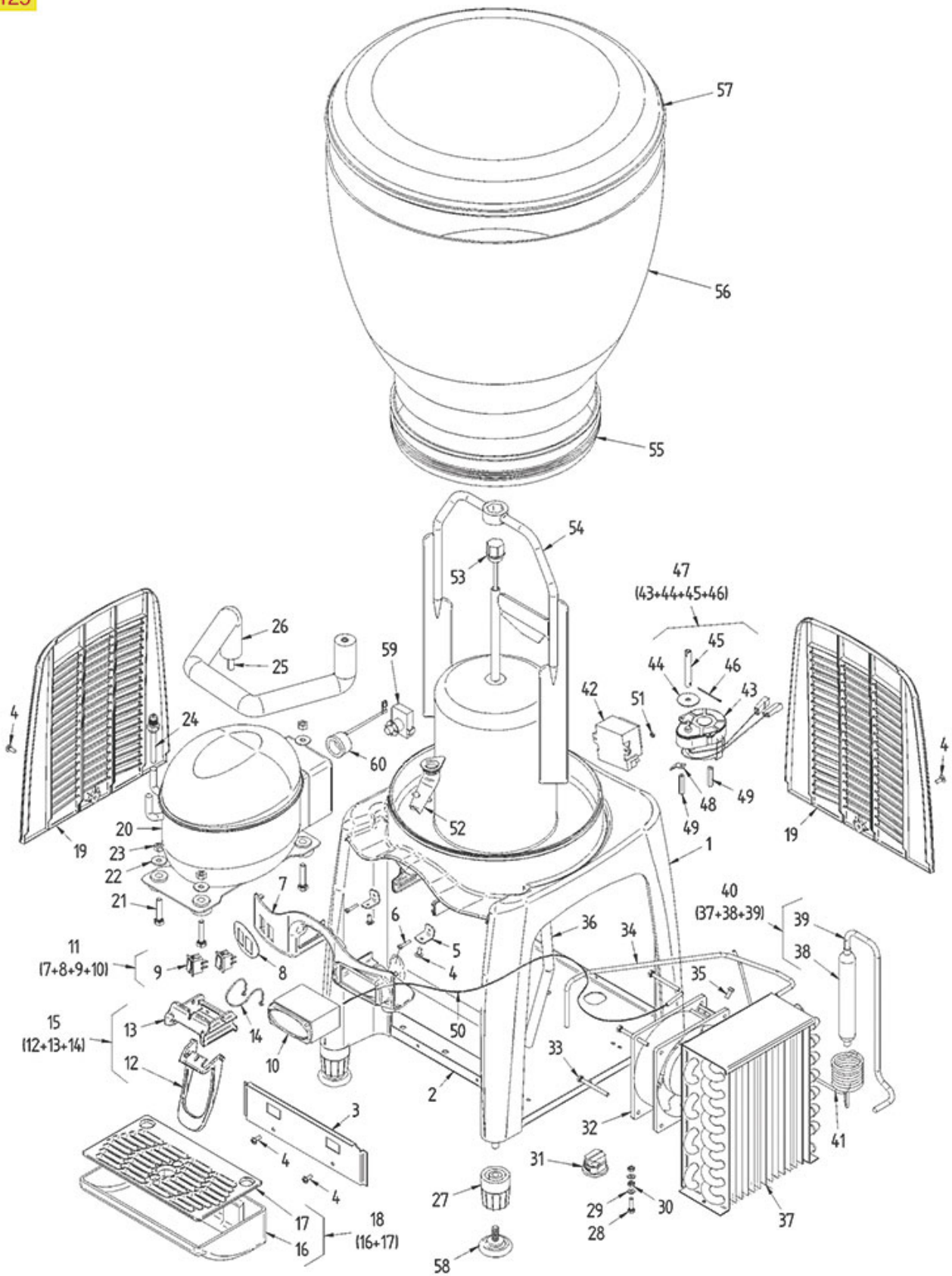


Position	LF code no.	Description
9	1199343	BLACK SINGLE-POLE SWITCH 6A 250V
18	1015041	BLACK DRIP TANK
27	1313300	SUPPORTING FOOT H=40 mm
32	3240501	AXIAL VENTILATOR SUNON 120x120x38 mm
43	1240304	GEAR MOTOR CROUZET 82334986
50	1397055	TEMPERATURE PROBE



E125

E125





SENCOTEL



Position	LF code no.	Description
9	1199343	BLACK SINGLE-POLE SWITCH 6A 250V
18	1015041	BLACK DRIP TANK
27	1313300	SUPPORTING FOOT H=40 mm
32	3240501	AXIAL VENTILATOR SUNON 120x120x38 mm
43	1240304	GEAR MOTOR CROUZET 82334986
50	1397055	TEMPERATURE PROBE



Suitable for:

SENCOTEL



Suitable for:

Bushes

1704003 BUSHING FOR GRANITA MACHINE SCROLL



SENCOTEL SL320002598

Dispenser taps and accessories

1357025 BLACK TAP CONTROL LEVER
for Granita machine (GBG) GRANISHERBET - GRANISTAR



SENCOTEL SL3GS12040D

1357026 DELIVERY TAP CLASP



SENCOTEL SL3GS12043D

1357027 DISPENSER TAP PISTON



SENCOTEL SL310001367

1199350 SPINDLE FOR TAP LEVER



SENCOTEL SL300951293

1199504 TAP SPINDLE



SENCOTEL SL310000367

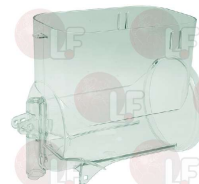
Drip tanks

1521004 BLACK LID FOR GRANITA MACHINE TANK
dimensions 340x180 mm



SENCOTEL SL320000874

1521003 TANK 5 L FOR GRANITA MACHINE



SENCOTEL SL340000541



Drip trays for coffee and bar

1015041 BLACK DRIP TANK



SENCOTEL SL340000502

**1199345 DRIP TRAY
with rear hooks**



SENCOTEL SL300950014

Feet

1313300 SUPPORTING FOOT H=40 mm



SENCOTEL SL300951357

Gaskets and seals

**1199322 EVAPORATOR GASKET \varnothing 170 mm
new type**



SENCOTEL SL3GS36007B

1786239 GASKET FOR DISPENSER TAP



SENCOTEL SL320001758

1786240 GASKET FOR GRANITA MACHINE SCROLL



SENCOTEL SL310003830

1786238 ORM GASKET 0015-20 RED SILICONE



SENCOTEL SL310001843

**1197010 TANK GASKET FOR GRANITA MACHINE
new type
used for adapting new type tanks
to new type chocolate makers**



SENCOTEL SL300500133



Suitable for:

SENCOTEL



Suitable for:

Lamps

1199308 GREEN INDICATOR LIGHT 230V
head \varnothing 7 mm - hole \varnothing 6 mm



SENCOTEL SL300993613

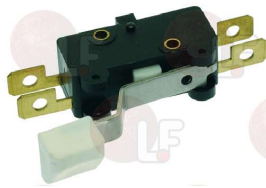
1199327 LAMP 21W 12V



SENCOTEL SL300950100

Microswitches

1199309 MICROSWITCH 5A 250V



SENCOTEL SL300950587

Motors

3240501 AXIAL VENTILATOR SUNON 120x120x38 mm
ball bearings
22W 230V 50/60Hz 2850 Rpm
DP200A 2123XBT.GN
for Granita machine (UGOLINI) MINIGEL - MTMINI



SENCOTEL SL377AH0401

1240304 GEAR MOTOR CROUZET 82334986
230V 50Hz 30rpm 3,5W
for Frigo drink (GBG) DRINK MAGIC



SENCOTEL SL300352121

5035146 GEARMOTOR KENTA K9357511
230V 50Hz 58W 33rpm
for Granita machine (GBG) GRANISMART



SENCOTEL SL310001422

SENCOTEL SL310005299

3240563 MOTOR VENTILATOR EBM 127x127x38 mm
5958 - 230V 50/60Hz 18W
ball bearings



SENCOTEL SL330000173

3240964 SUCTION BLADE \varnothing 250 mm 28°



SENCOTEL SL300000233

Pins**1199516 PIN FOR DENSITY ADJUSTMENT**

SENCOTEL SL3GS12035A

1199515 RETAINER FOR DENSITY ADJUSTMENT

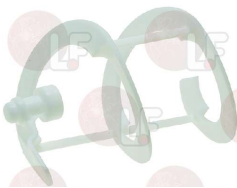
SENCOTEL SL3GS12036A

1199518 SHAFT COUPLING WITH BUSHING

SENCOTEL SL310002030

Probes**1397055 TEMPERATURE PROBE**bulb \varnothing 5x20 mm - cable length 118 mm

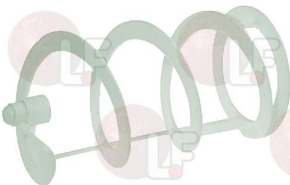
SENCOTEL SL310007281

Scrolls**1719060 GRANITA MACHINE SCROLL \varnothing 147x248 mm**

SENCOTEL SL320000795

1199320 NEW SCROLL ADAPTER KIT

SENCOTEL SL310001772

1199508 SCROLL GRANITA MACHINE

SENCOTEL SL3GS12009D



Suitable for:

SENCOTEL



Suitable for:

Solenoid valves

1199316 COIL CEME B4 230V 50 Hz



SENCOTEL SL38EAE48GL

1120253 2-WAY SOLENOID VALVE CEME
230V 50/60Hz
tubes ø 5 mm - orifice 1.5 mm



SENCOTEL SL3GS24711B

Springs

1250701 SPRING FOR DENSITY ADJUSTMENT



SENCOTEL SL3GS12038A

1250700 SPRING FOR TAP



SENCOTEL SL320001401

1199311 SPRING GUIDE FOR ADJUSTMENT SYSTEM



SENCOTEL SL3GS12037B

Switches

3319468 BLACK SINGLE POLE SWITCH 16A 250V

silk-screen printing 0 - I
max temperature 120°C
mounting hole 11x30 mm
for CAB FAST COLD 1-2-3/NEW FABY 1-2-3
for COFRIMELL FRIGO DRINK COF-COLDREAM-JETCOF-
MEGA25-MEGA40-NEWCOF
for Frigo drink (COFRIMELL) COF - COLDREAM
JETCOF - MEGA25 - MEGA40 - NEWCOF
for Granita machine (CAB) FAST COLD1 - FAST COLD2
FAST COLD3 - NEW FABY1 - NEW FABY2 - NEW FABY3



SENCOTEL SL300951088

SENCOTEL SL330000209

1199343 BLACK SINGLE-POLE SWITCH 6A 250V

silk-screen printing 0 - I
temperature max 120°C
mounting hole 13x20 mm



SENCOTEL SL300950567



Suitable for:

1199303 BLACK THREE-POLE SWITCH 16A 250V
silk-screen printing II - 0 - I
temperature max 120°C
mounting hole 11x30 mm



SENCOTEL SL300951089

Suitable for:

1319202 GREEN TWO-POLE SWITCH 16A 250V
with indicator lamp
silk-screen printing 0 - I
temperature max 120°C
mounting hole 22x30 mm



SENCOTEL SL300003131

3319501 SWITCH PROTECTION CAP
external dimensions 29x36 mm
for switches with mounting hole 22x30 mm



SENCOTEL SL330000096

Transformers

1199301 TRANSFORMER 20VA 12/220V



SENCOTEL SL300951431

The data herewith contained may change without notice and LF SpA cannot be held responsible for possible errors stated or resulting by the use of this document. All rights reserved. No part of this publication may be reproduced without written permission by LF SpA.



LF SpA
via Voltri, 80 - 47522 Cesena (FC) ITALIA
Tel. +39 0547 34 11 11 - Fax +39 0547 34 11 10
www.lfricambi724.it - www.lfricambi724.mobi
info@lfricambi.it
Export Dept.: Tel. +39 0547 34 11 50 - Fax: +39 0547 34 11 55
www.lfspareparts724.com - www.lfspareparts724.mobi
export@lfspaceparts.com

FRANCE



EPGC Sas
13, Rue des Forts - 59960 Neuville en Ferrain
Tél. +33 (0)3 20 25 06 21
Fax +33 (0)3 20 25 34 12
www.epgc.com
www.epgc724.mobi
epgc@epgc.com

DEUTSCHLAND



LF GmbH
Junkersstrasse, 1 - D-82178 Puchheim - München
Tel. +49 89 89 45 78 66
Fax +49 89 89 45 78 88
www.lfersatzteile724.de
www.lfersatzteile724.mobi
info@lfersatzteile.de

SCHWEIZ



LF GmbH Verkaufsbüro
Sennweidstrasse, 45 - CH-6312 Steinhausen
Tel. +41 (0)41 760 15 80-1
Fax +41 (0)41 760 15 85
www.lfersatzteile724.ch
www.lfersatzteile724.mobi
info@lfersatzteile.ch

ESPAÑA



LF Repuestos Horeca S.L.U.
Calle Ciudad Real, 10 - 45517 Escalonilla - Toledo
Tif. +34 91 477 91 00
Fax +34 91 477 90 81
www.lfrepuestos724.es
www.lfrepuestos724.mobi
info@lfrepuestos.es

UNITED KINGDOM



LF Spare Parts Ltd.
A10a Lakeside Business Park, Broadway Lane
South Cerney, Gloucestershire GL7 5XL
Tel. +44 (0)1285 86 16 25
Fax +44 (0)1285 86 39 49
www.lfspareparts724.co.uk
www.lfspareparts724.mobi
info@lfspaceparts.co.uk

RUSSIA



OOO LF
ul, Anatoliya Zhivova, 8 - office 1 - 123100 Moscow
Tel. +7 499 259 85 75
Fax +7 495 725 26 53
www.lfspareparts724.ru
www.lfspareparts724.mobi
info@lfspaceparts.ru

CHINA



LF China
Room 102, House 8, Lane 725, Mao Tai Rd.
Changning Dist. - 200336 Shanghai
Tel. +86 (0)21 33 53 66 31
Fax +86 (0)21 33 53 66 32
www.lfspareparts724.com
www.lfspareparts724.mobi
china@lfspaceparts.com