



Spare parts for:

Bar equipment



Suitable for:

STAFF ICE SYSTEM



This catalogue is automatically generated.
Therefore, the sequence of the items might
not be always shown at best.
Updates will be issued in case of additions
and/or amendments.

Suitable universal spare parts may not be included



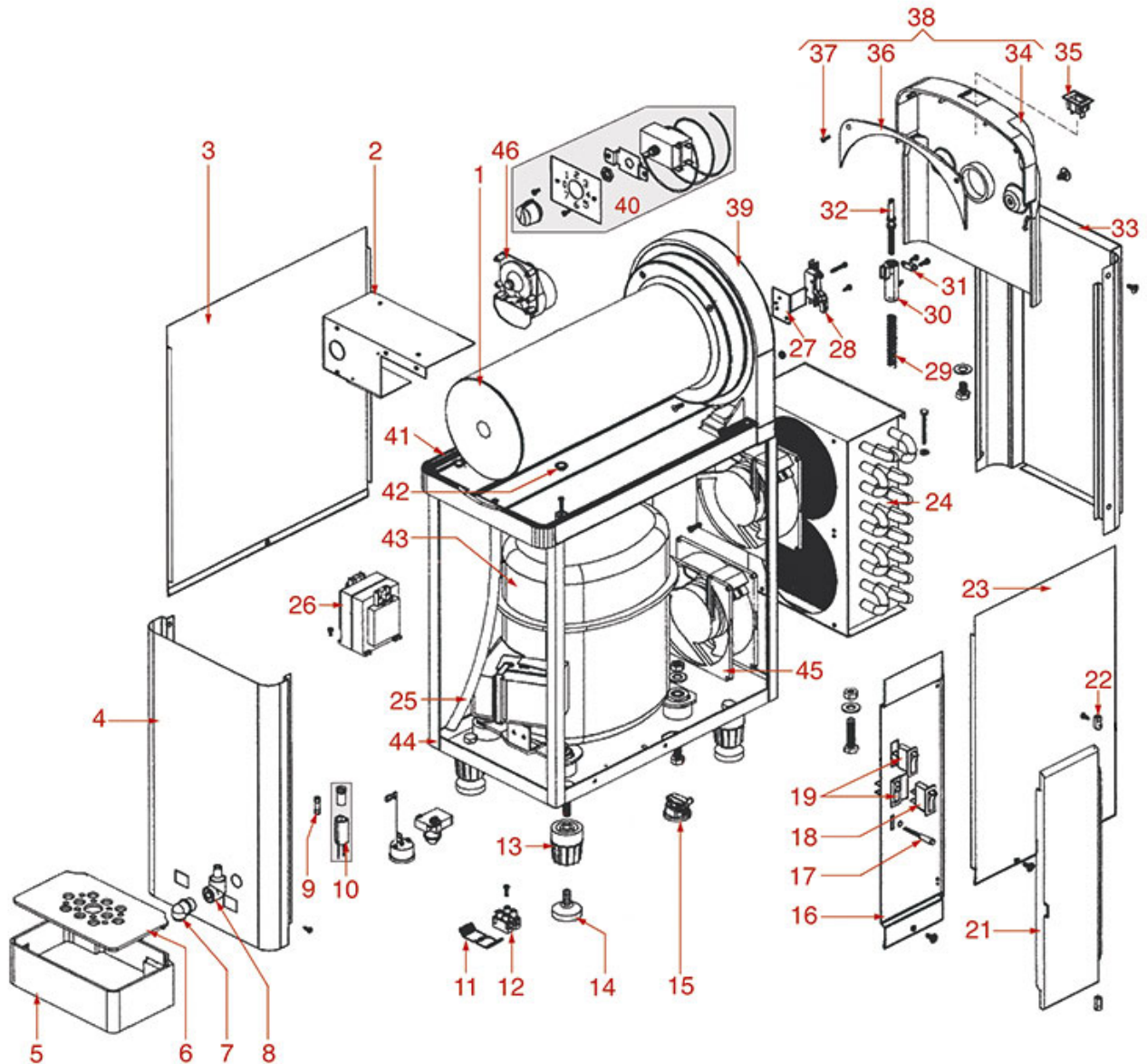


STAFF ICE SYSTEM



H10 GRANITA MACHINE

H10



ST01

Positions without LF code no.: upon request



STAFF ICE SYSTEM



Position	LF code no.	Description
5	1199305	DRIP TRAY
6	1199304	DRIP TRAY GRID
13	1313300	SUPPORTING FOOT H=40 mm
14	1199312	RUBBER FOOT CE-3326 M8x20
17	1199308	GREEN INDICATOR LIGHT 230V
18	1199303	BLACK THREE-POLE SWITCH 16A 250V
19	3319468	BLACK SINGLE POLE SWITCH 16A 250V
26	1199301	TRANSFORMER 20VA 12/220V
27	1199520	RETAINER FOR GEAR MOTOR
28	1199309	MICROSWITCH 5A 250V
29	1250701	SPRING FOR DENSITY ADJUSTMENT
30	1199311	SPRING GUIDE FOR ADJUSTMENT SYSTEM
31	1199515	RETAINER FOR DENSITY ADJUSTMENT
32	1199516	PIN FOR DENSITY ADJUSTMENT
35	1199306	LIGHT SWITCH BASE
40	1444107	THERMOSTAT RANCO K50 L3231
45	3240501	AXIAL VENTILATOR SUNON 120x120x38 mm
46	1199300	TIMER P215 1CAM 4 MINUTES

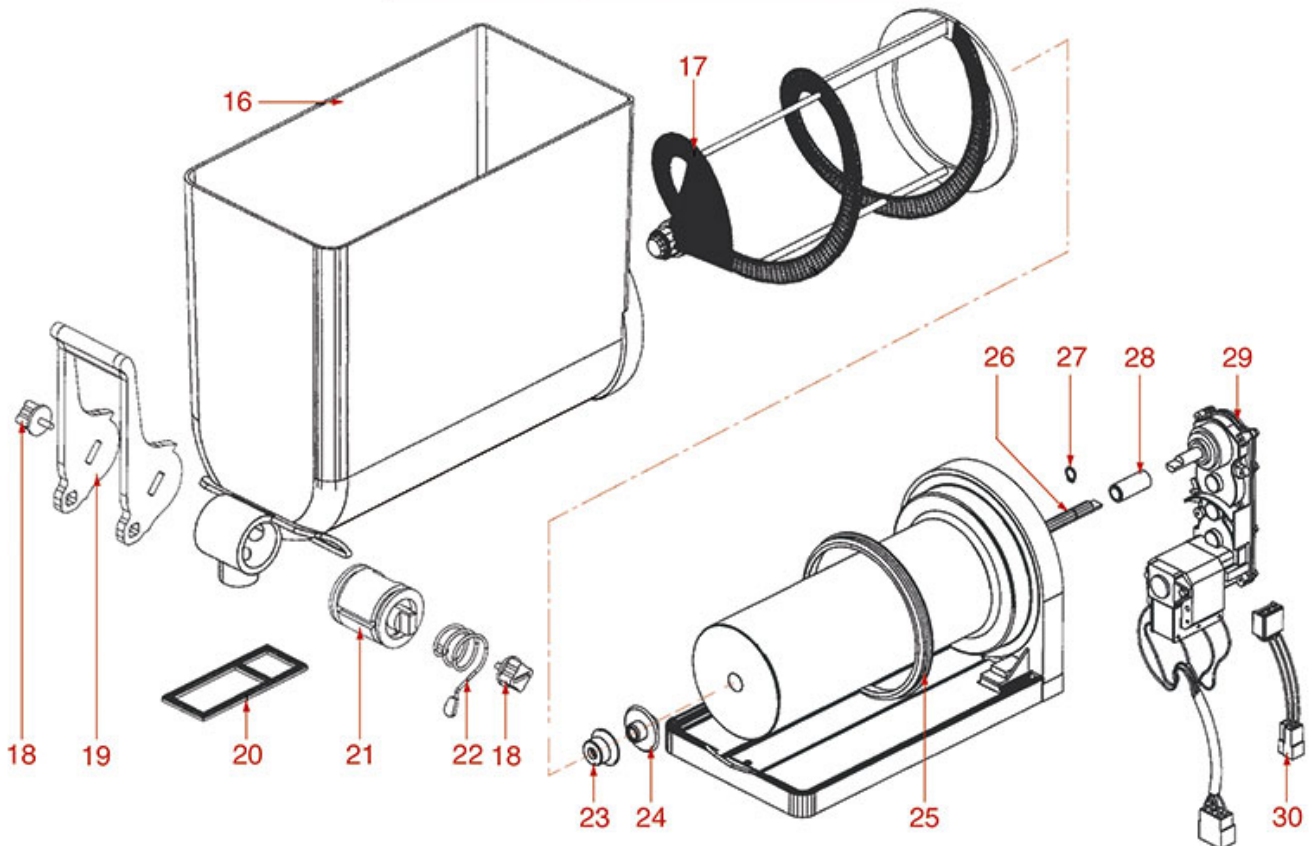
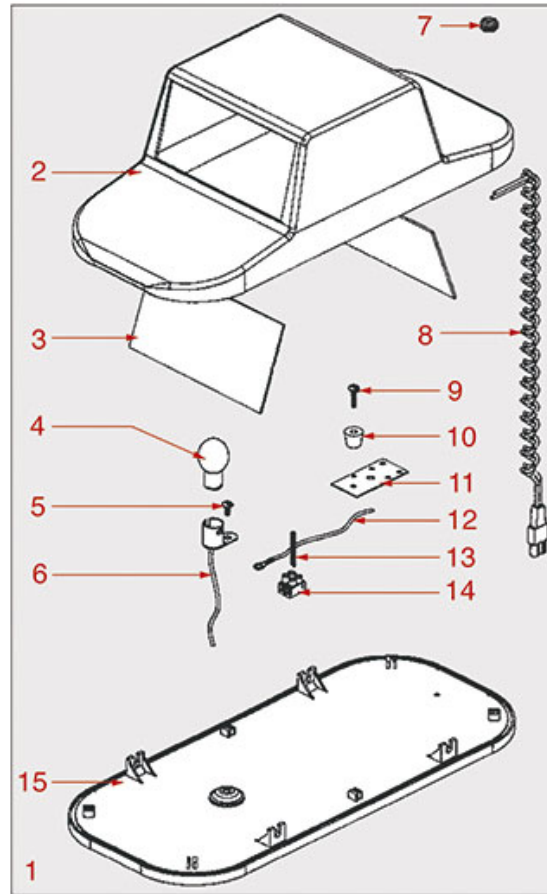


STAFF ICE SYSTEM



H10 - H20 - H30 GRANITA MACHINE

H10-H20-H30



ST02

Positions without LF code no.: upon request



STAFF ICE SYSTEM



Position	LF code no.	Description
4	1199327	LAMP 21W 12V
16	1199328	TANK WITH TAP
17	1199329	SPIRAL STIRRING BLADE
20	1199332	TAP GASKET
22	1199333	TAP SPRING
23	1186002	SUCTION GASKET FOR SCRAPER HOOKING
24	1199320	NEW SCROLL ADAPTER KIT
25	1199322	EVAPORATOR GASKET ø 170 mm
27	1199323	ST.STEEL RETAINER RING A-12 UNI 7435
28	1199518	SHAFT COUPLING WITH BUSHING
29	1240301	GEARMOTOR ELCO FR10-40-33 216

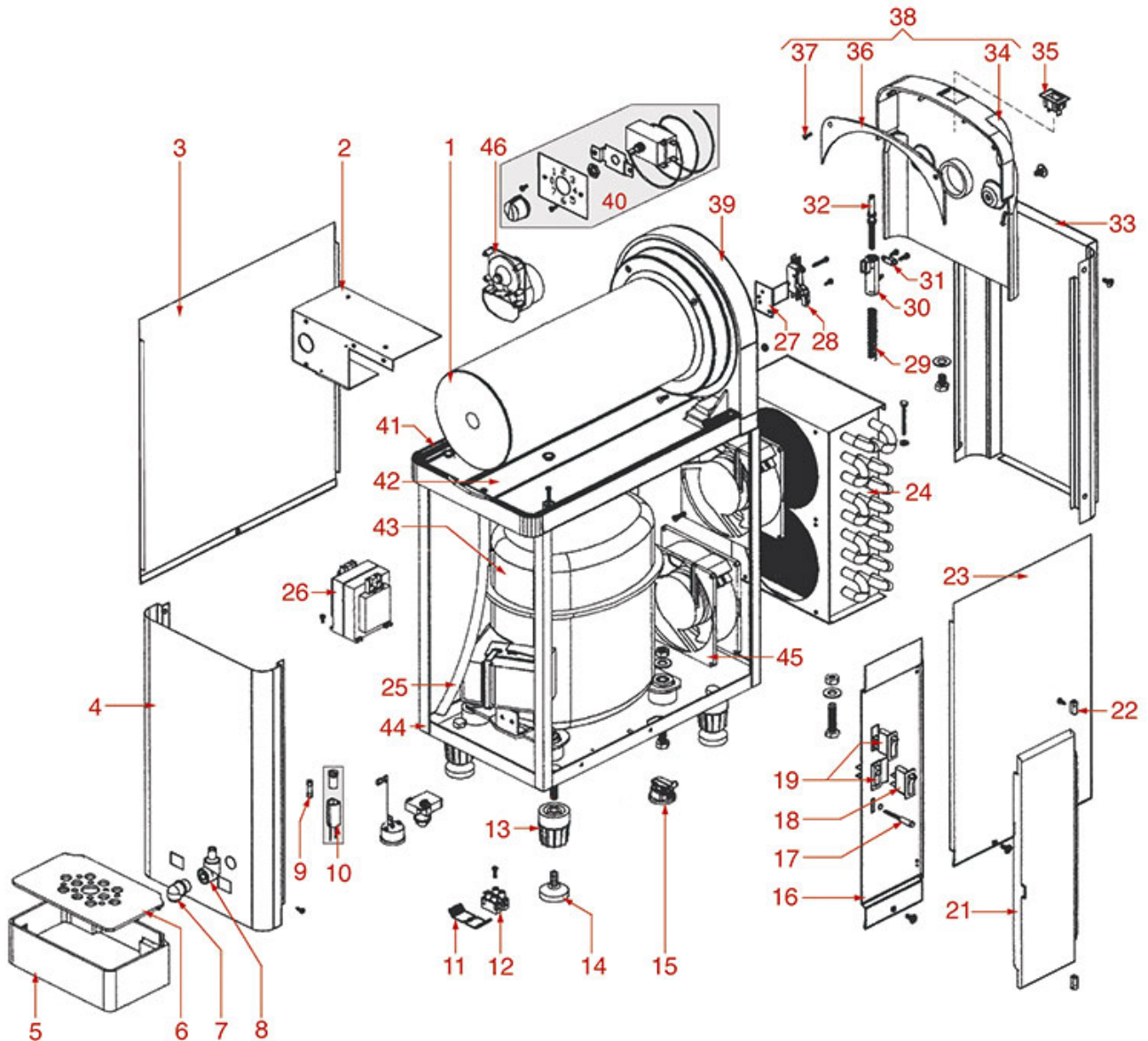


STAFF ICE SYSTEM



MH14 GRANITA MACHINE

MH14



ST03

Positions without LF code no.: upon request



STAFF ICE SYSTEM



Position	LF code no.	Description
5	1199305	DRIP TRAY
6	1199304	DRIP TRAY GRID
13	1313300	SUPPORTING FOOT H=40 mm
14	1199312	RUBBER FOOT CE-3326 M8x20
17	1199308	GREEN INDICATOR LIGHT 230V
18	1199303	BLACK THREE-POLE SWITCH 16A 250V
19	3319468	BLACK SINGLE POLE SWITCH 16A 250V
26	1199301	TRANSFORMER 20VA 12/220V
27	1199520	RETAINER FOR GEAR MOTOR
28	1199309	MICROSWITCH 5A 250V
29	1250701	SPRING FOR DENSITY ADJUSTMENT
30	1199311	SPRING GUIDE FOR ADJUSTMENT SYSTEM
31	1199515	RETAINER FOR DENSITY ADJUSTMENT
32	1199516	PIN FOR DENSITY ADJUSTMENT
35	1199306	LIGHT SWITCH BASE
40	1444107	THERMOSTAT RANCO K50 L3231
45	3240501	AXIAL VENTILATOR SUNON 120x120x38 mm
46	1199300	TIMER P215 1CAM 4 MINUTES

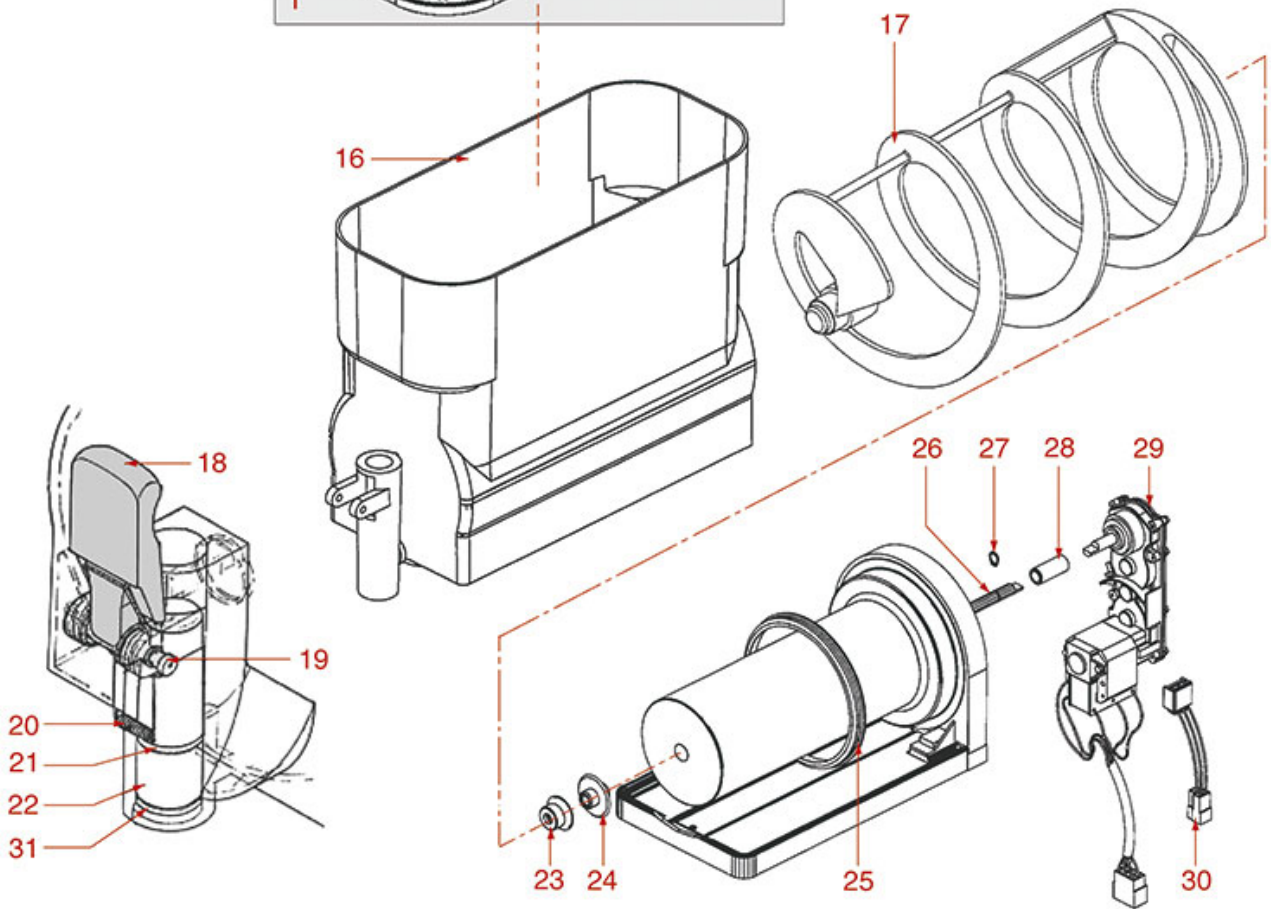
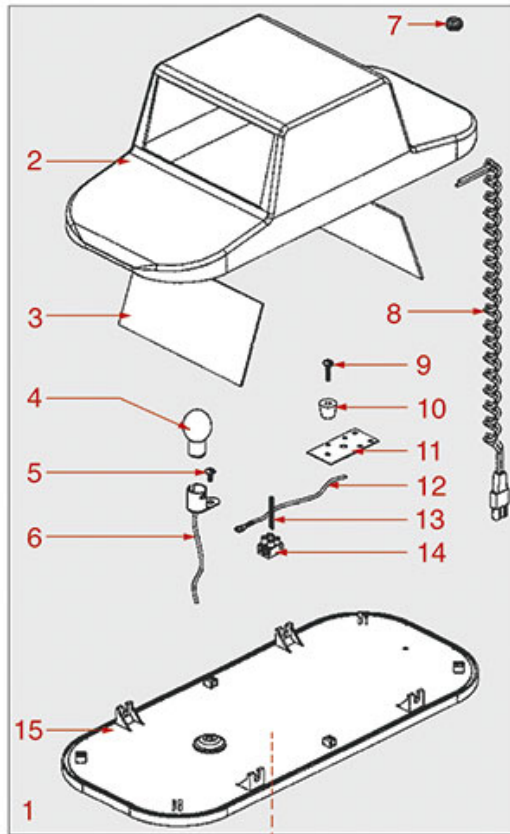


STAFF ICE SYSTEM



MH14 - MH28 - MH42 GRANITA MACHINE

MH14-MH28-MH42



ST04

Positions without LF code no.: upon request



STAFF ICE SYSTEM



Position	LF code no.	Description
4	1199327	LAMP 21W 12V
16	1199337	TANK 2002
17	1199508	SCROLL GRANITA MACHINE
18	1199338	TAP LEVER
19	1199350	SPINDLE FOR TAP LEVER
20	1199339	TAP SPRING
21	1186850	O-RING 03068 RED SILICONE
22	1199504	TAP SPINDLE
23	1186002	SUCTION GASKET FOR SCRAPER HOOKING
24	1199335	EVAPORATOR BUSHING
25	1199322	EVAPORATOR GASKET \varnothing 170 mm
27	1199323	ST.STEEL RETAINER RING A-12 UNI 7435
28	1199518	SHAFT COUPLING WITH BUSHING
29	1240301	GEARMOTOR ELCO FR10-40-33 216
31	1199342	TAP CAP

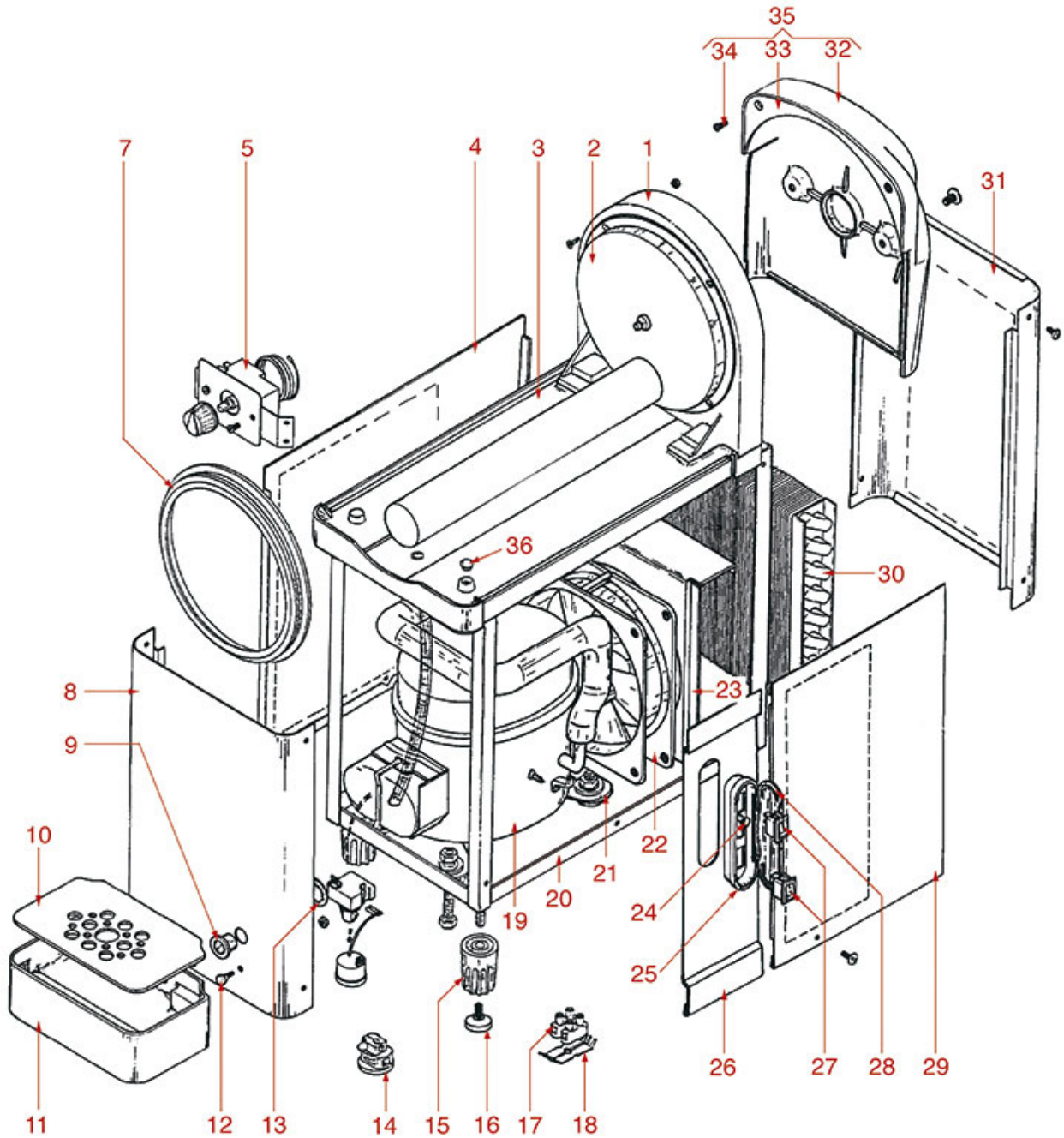


STAFF ICE SYSTEM



M0120 GRANITA MACHINE

MO120



ST05

Positions without LF code no.: upon request



STAFF ICE SYSTEM



Position	LF code no.	Description
5	1444106	RANCO THERMOSTAT K50 L3100
7	1199322	EVAPORATOR GASKET \varnothing 170 mm
10	1199344	DRIP TRAY GRID
11	1199345	DRIP TRAY
15	1313300	SUPPORTING FOOT H=40 mm
16	1313300	SUPPORTING FOOT H=40 mm
22	3240501	AXIAL VENTILATOR SUNON 120x120x38 mm
24	1199308	GREEN INDICATOR LIGHT 230V
27	1199343	BLACK SINGLE-POLE SWITCH 6A 250V

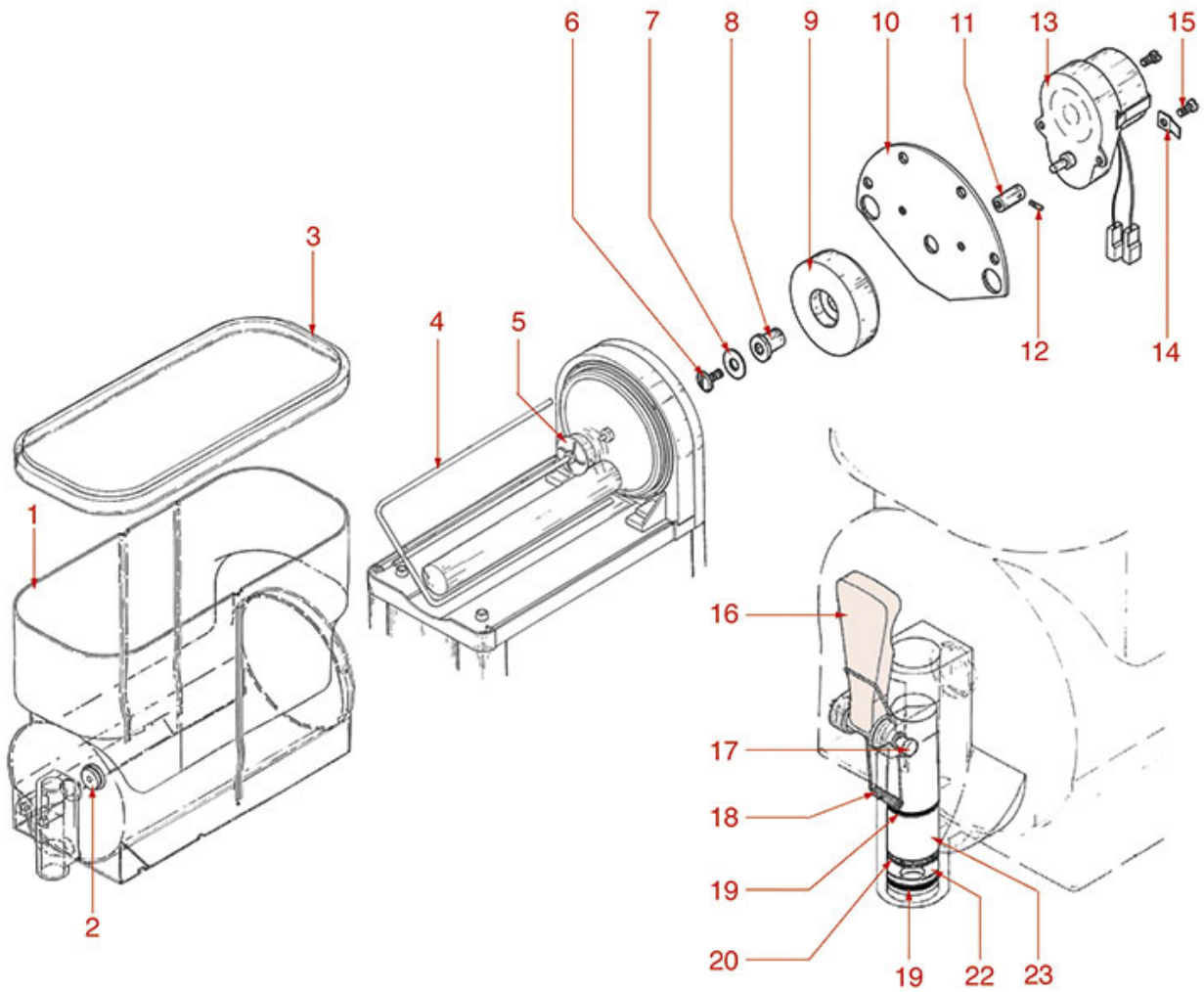


STAFF ICE SYSTEM



MO120 - MO240 - MO360 GRANITA MACHINE

MO120-MO240-MO360



ST06

Positions without LF code no.: upon request



STAFF ICE SYSTEM



Position	LF code no.	Description
1	1199337	TANK 2002
8	1198208	MAGNETIC IMPELLER 4 PADDLES
13	1240304	GEAR MOTOR CROUZET 82334986
16	1199338	TAP LEVER
17	1199350	SPINDLE FOR TAP LEVER
18	1199339	TAP SPRING
19	1186850	O-RING 03068 RED SILICONE
20	1199342	TAP CAP
22	1199351	TAP REDUCER
23	1199504	TAP SPINDLE

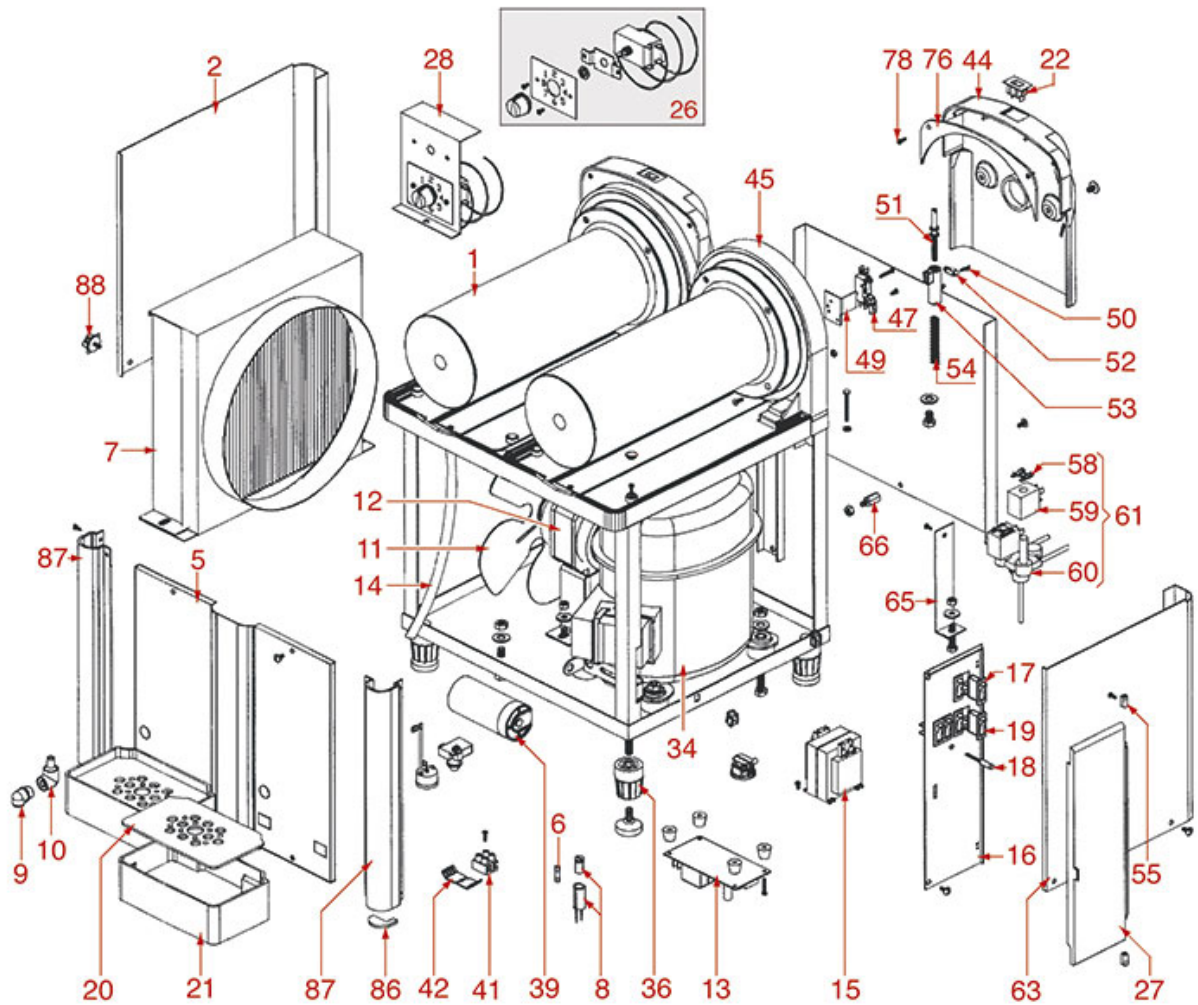


STAFF ICE SYSTEM



H2O GRANITA MACHINE

H2O



ST09

Positions without LF code no.: upon request



STAFF ICE SYSTEM



Position	LF code no.	Description
11	3240964	SUCTION BLADE \varnothing 250 mm 28°
17	3319468	BLACK SINGLE POLE SWITCH 16A 250V
18	1199308	GREEN INDICATOR LIGHT 230V
19	1199303	BLACK THREE-POLE SWITCH 16A 250V
20	1199304	DRIP TRAY GRID
21	1199305	DRIP TRAY
22	1199306	LIGHT SWITCH BASE
26	1444107	THERMOSTAT RANCO K50 L3231
36	1313300	SUPPORTING FOOT H=40 mm
47	1199309	MICROSWITCH 5A 250V
49	1199520	RETAINER FOR GEAR MOTOR
51	1199516	PIN FOR DENSITY ADJUSTMENT
52	1199515	RETAINER FOR DENSITY ADJUSTMENT
53	1199311	SPRING GUIDE FOR ADJUSTMENT SYSTEM
54	1250701	SPRING FOR DENSITY ADJUSTMENT
59	1199316	COIL CEME B4 230V 50 Hz
60	1199317	DOUBLE SOLENOID VALVE BODY CEME

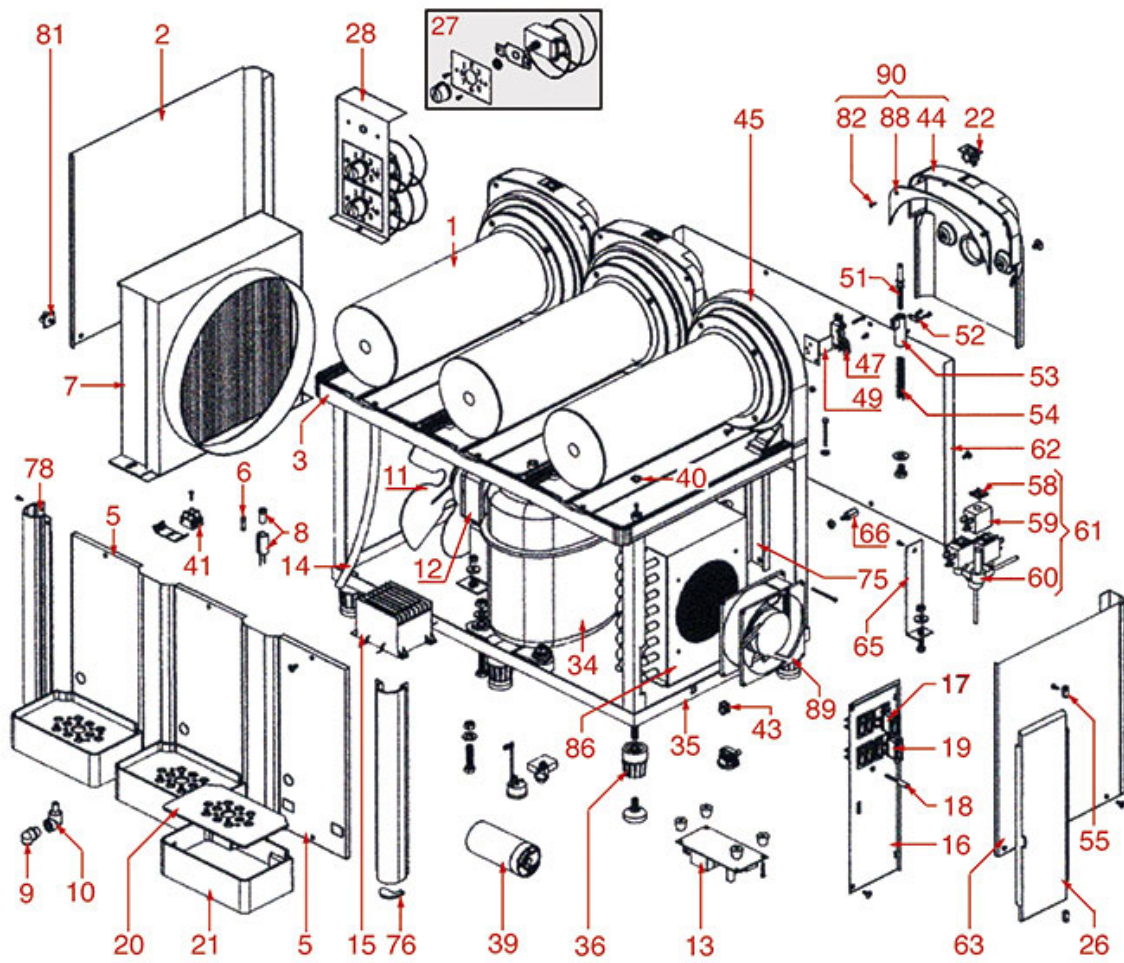


STAFF ICE SYSTEM



230 GRANITA MACHINE

H30



ST10

Positions without LF code no.: upon request



STAFF ICE SYSTEM



Position	LF code no.	Description
11	3240964	SUCTION BLADE \varnothing 250 mm 28°
17	3319468	BLACK SINGLE POLE SWITCH 16A 250V
18	1199308	GREEN INDICATOR LIGHT 230V
19	1199303	BLACK THREE-POLE SWITCH 16A 250V
20	1199304	DRIP TRAY GRID
21	1199305	DRIP TRAY
22	1199306	LIGHT SWITCH BASE
27	1444107	THERMOSTAT RANCO K50 L3231
36	1313300	SUPPORTING FOOT H=40 mm
47	1199309	MICROSWITCH 5A 250V
51	1199516	PIN FOR DENSITY ADJUSTMENT
53	1199311	SPRING GUIDE FOR ADJUSTMENT SYSTEM
59	1199316	COIL CEME B4 230V 50 Hz
89	3240501	AXIAL VENTILATOR SUNON 120x120x38 mm

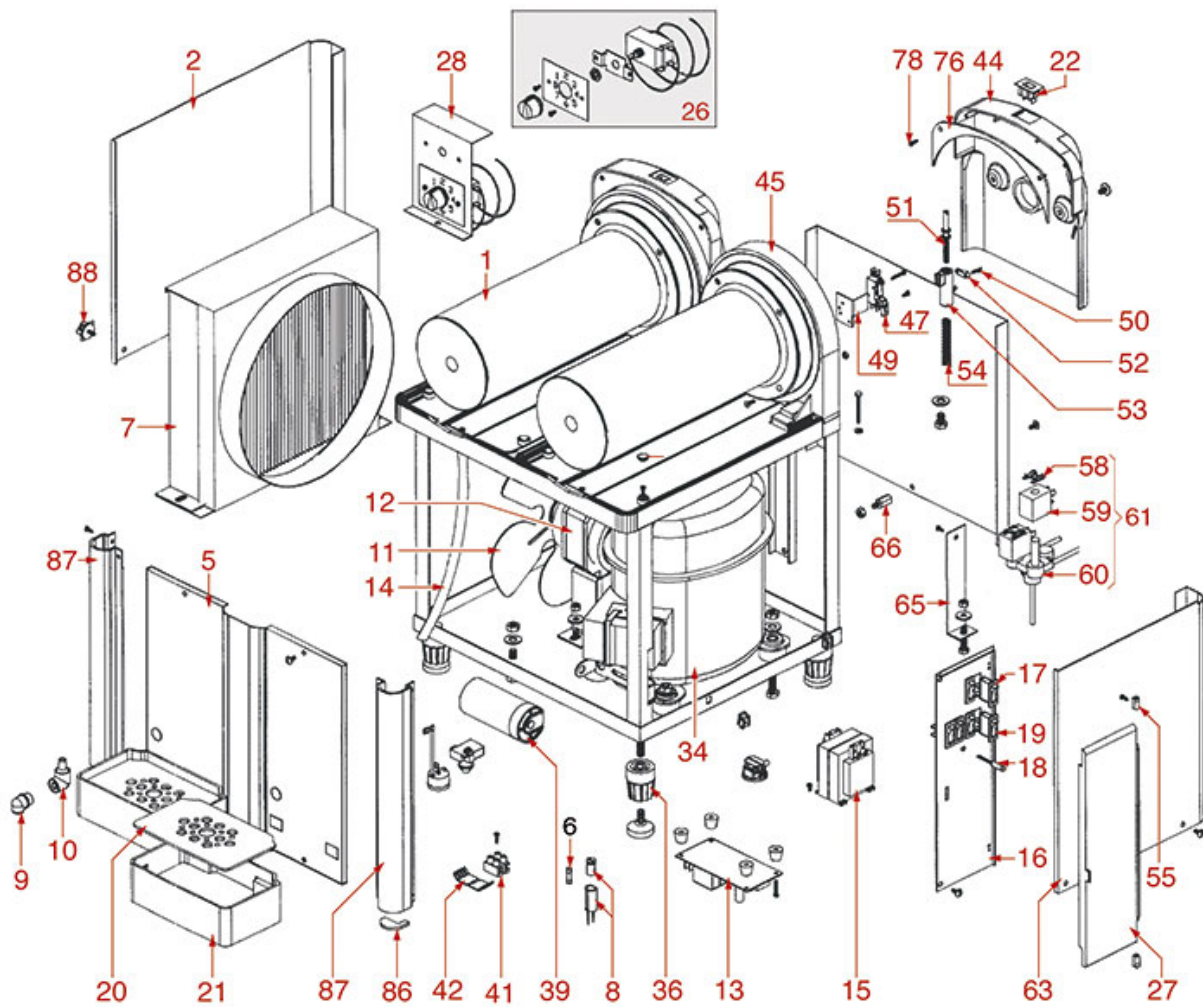


STAFF ICE SYSTEM



MH28 GRANITA MACHINE

MH28



ST14

Positions without LF code no.: upon request



STAFF ICE SYSTEM



Position	LF code no.	Description
11	3240964	SUCTION BLADE \varnothing 250 mm 28°
17	3319468	BLACK SINGLE POLE SWITCH 16A 250V
18	1199308	GREEN INDICATOR LIGHT 230V
19	1199303	BLACK THREE-POLE SWITCH 16A 250V
22	1199306	LIGHT SWITCH BASE
26	1444107	THERMOSTAT RANCO K50 L3231
36	1313300	SUPPORTING FOOT H=40 mm
47	1199309	MICROSWITCH 5A 250V
49	1199520	RETAINER FOR GEAR MOTOR
51	1199516	PIN FOR DENSITY ADJUSTMENT
52	1199515	RETAINER FOR DENSITY ADJUSTMENT
53	1199311	SPRING GUIDE FOR ADJUSTMENT SYSTEM
54	1250701	SPRING FOR DENSITY ADJUSTMENT
59	1199316	COIL CEME B4 230V 50 Hz
60	1199317	DOUBLE SOLENOID VALVE BODY CEME

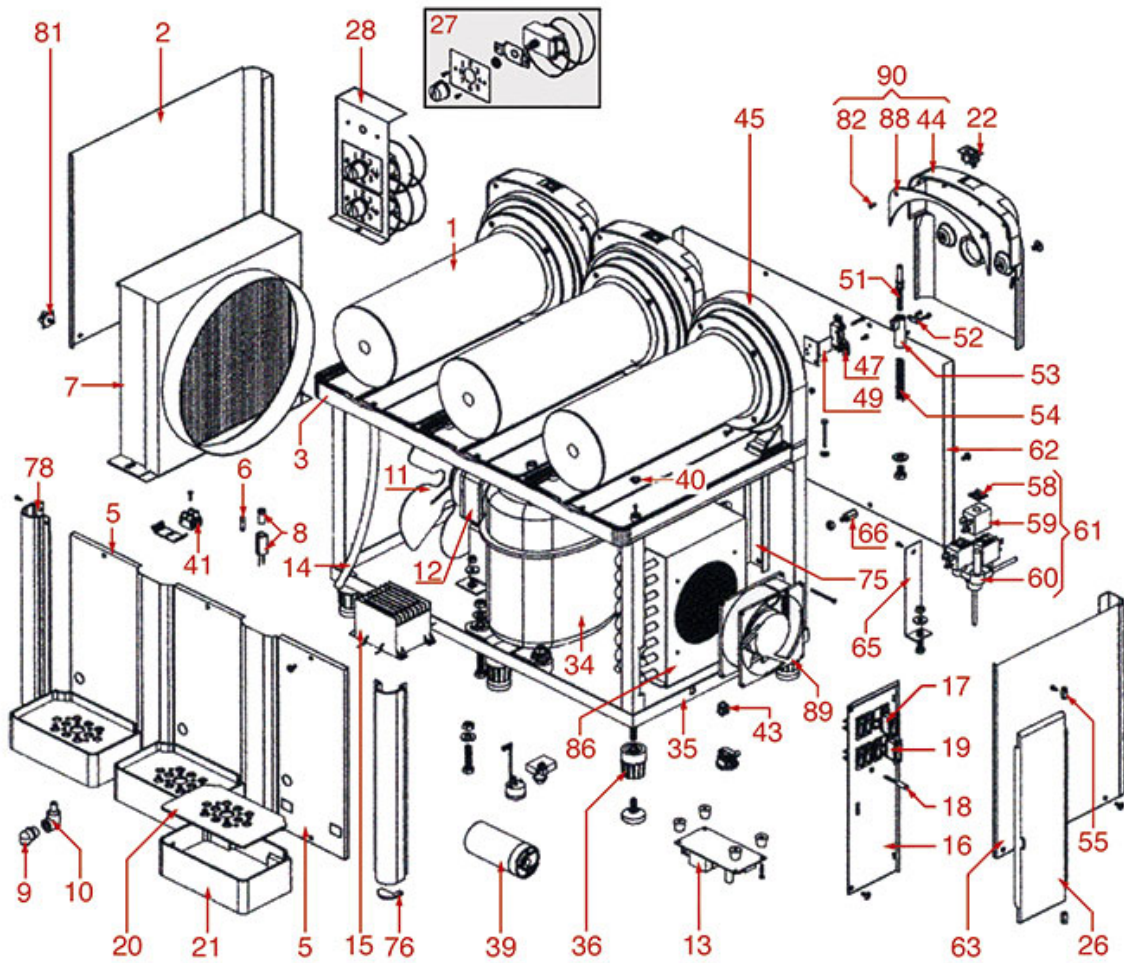


STAFF ICE SYSTEM



MH42 GRANITA MACHINE

MH42



ST15

Positions without LF code no.: upon request



STAFF ICE SYSTEM



Position	LF code no.	Description
11	3240964	SUCTION BLADE \varnothing 250 mm 28°
17	3319468	BLACK SINGLE POLE SWITCH 16A 250V
18	1199308	GREEN INDICATOR LIGHT 230V
19	1199303	BLACK THREE-POLE SWITCH 16A 250V
22	1199306	LIGHT SWITCH BASE
27	1444107	THERMOSTAT RANCO K50 L3231
36	1313300	SUPPORTING FOOT H=40 mm
47	1199309	MICROSWITCH 5A 250V
49	1199520	RETAINER FOR GEAR MOTOR
51	1199516	PIN FOR DENSITY ADJUSTMENT
52	1199515	RETAINER FOR DENSITY ADJUSTMENT
53	1199311	SPRING GUIDE FOR ADJUSTMENT SYSTEM
54	1250701	SPRING FOR DENSITY ADJUSTMENT
59	1199316	COIL CEME B4 230V 50 Hz
89	3240501	AXIAL VENTILATOR SUNON 120x120x38 mm

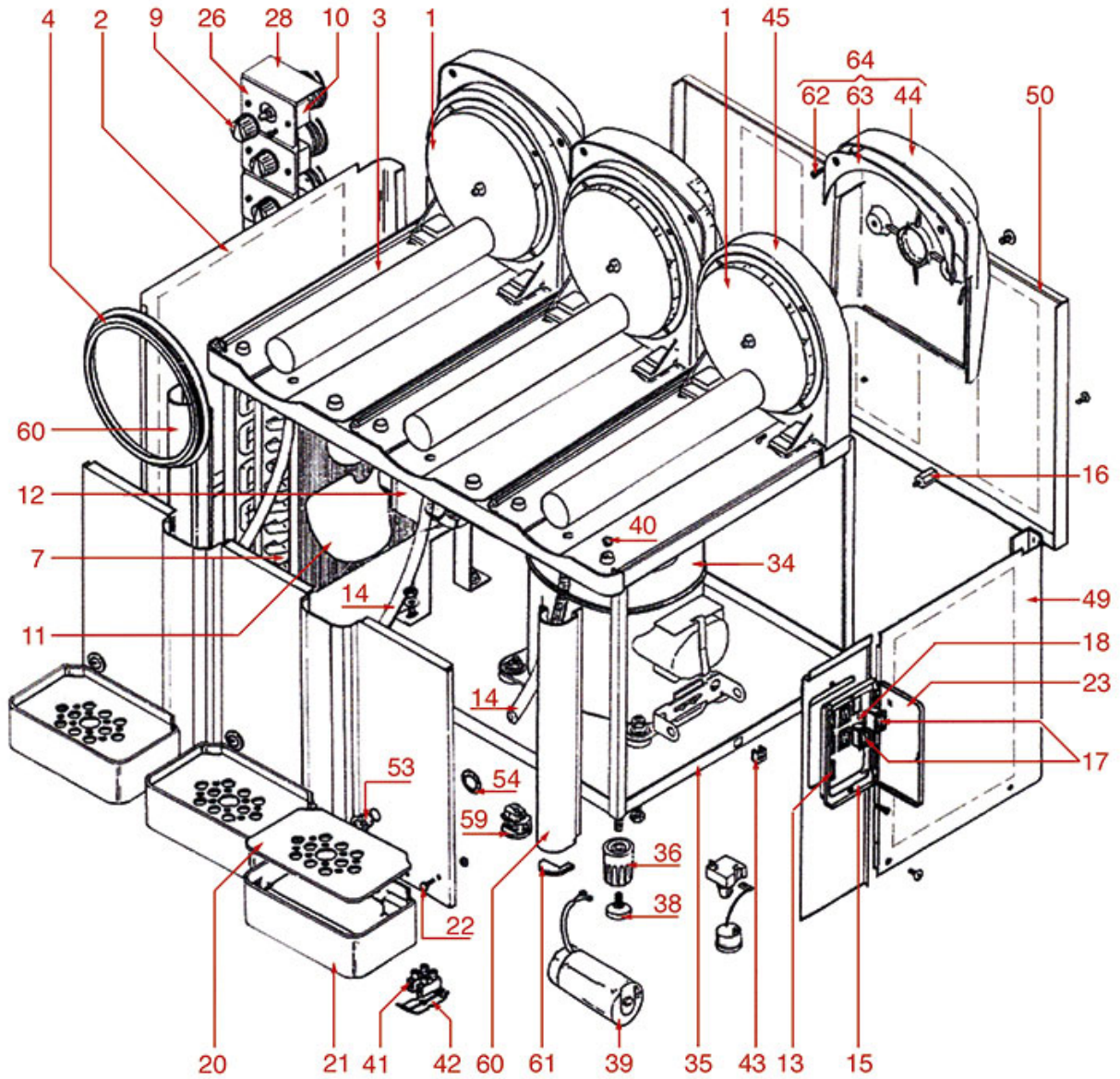


STAFF ICE SYSTEM



MO360 GRANITA MACHINE

MO360



ST16

Positions without LF code no.: upon request



STAFF ICE SYSTEM



Position	LF code no.	Description
4	1199322	EVAPORATOR GASKET \varnothing 170 mm
10	1444106	RANCO THERMOSTAT K50 L3100
17	1199343	BLACK SINGLE-POLE SWITCH 6A 250V
18	1199308	GREEN INDICATOR LIGHT 230V
20	1199344	DRIP TRAY GRID
21	1199345	DRIP TRAY
36	1313300	SUPPORTING FOOT H=40 mm
38	1313300	SUPPORTING FOOT H=40 mm

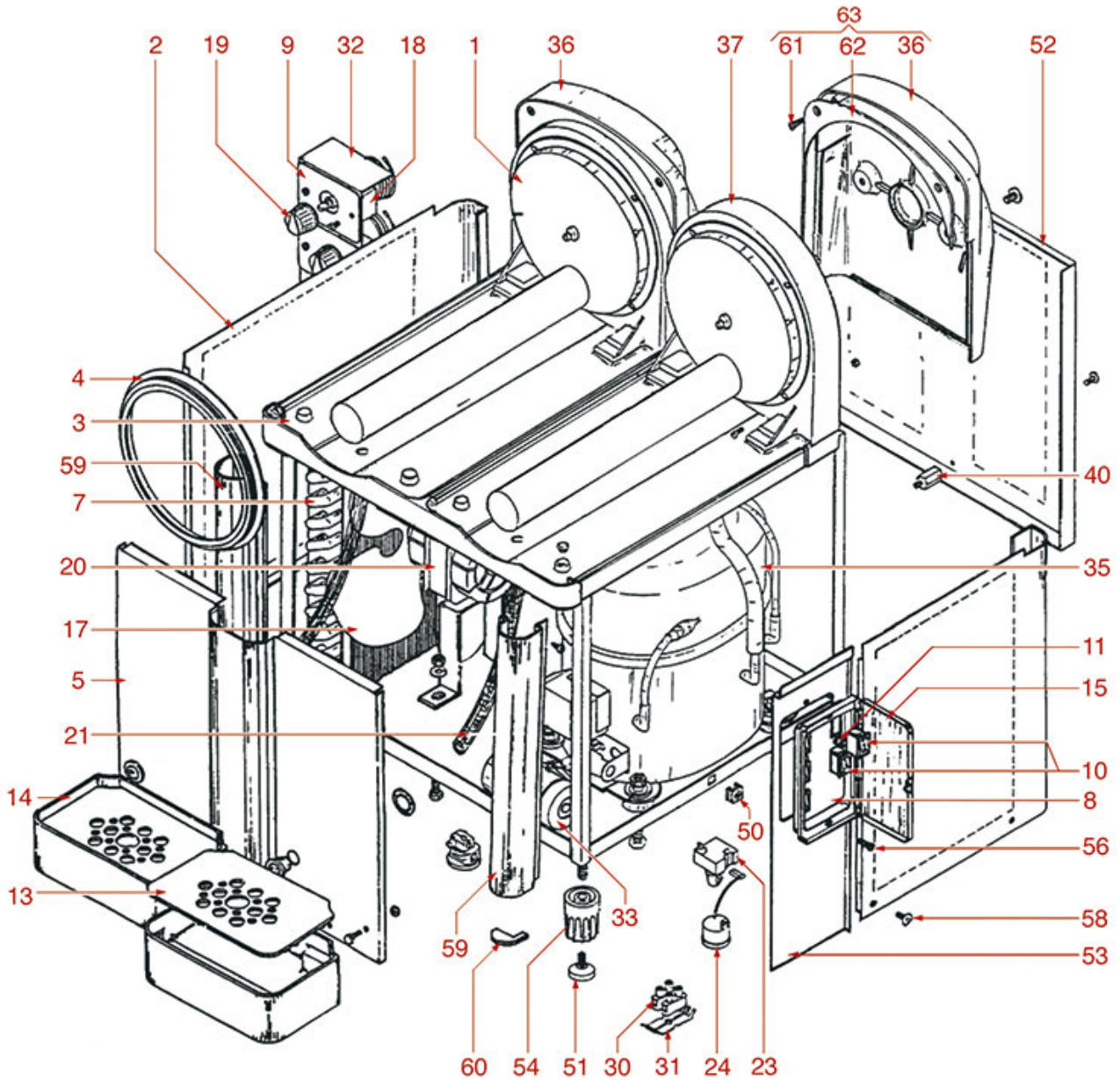


STAFF ICE SYSTEM



M0240 GRANITA MACHINE

MO240



ST17

Positions without LF code no.: upon request



STAFF ICE SYSTEM



Position	LF code no.	Description
4	1199322	EVAPORATOR GASKET \varnothing 170 mm
10	1199343	BLACK SINGLE-POLE SWITCH 6A 250V
11	1199308	GREEN INDICATOR LIGHT 230V
14	1199345	DRIP TRAY
15	1199344	DRIP TRAY GRID
17	3240964	SUCTION BLADE \varnothing 250 mm 28°
18	1444106	RANCO THERMOSTAT K50 L3100
51	1313300	SUPPORTING FOOT H=40 mm
54	1313300	SUPPORTING FOOT H=40 mm



STAFF ICE SYSTEM



Suitable for:

Suitable for:

Bushes

1199335 EVAPORATOR BUSHING



STAFF ICE SYSTEM SL300951752 STAFF ICE SYSTEM SL340001650 STAFF ICE SYSTEM 951752

Circlips

1199323 ST.STEEL RETAINER RING A-12 UNI 7435



STAFF ICE SYSTEM SL300950254 STAFF ICE SYSTEM 950254 STAFF ICE SYSTEM 950326

Dispenser taps and accessories

1199350 SPINDLE FOR TAP LEVER



STAFF ICE SYSTEM SL300950753 STAFF ICE SYSTEM SL300951293 STAFF ICE SYSTEM 950753

1199505 TAP BODY



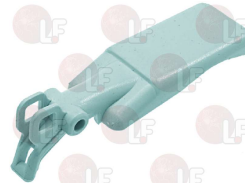
STAFF ICE SYSTEM SL3GS12042D STAFF ICE SYSTEM 950010

1199342 TAP CAP



STAFF ICE SYSTEM SL300950258 STAFF ICE SYSTEM 950258

1199338 TAP LEVER



STAFF ICE SYSTEM SL300950752 STAFF ICE SYSTEM 950752

1199351 TAP REDUCER



STAFF ICE SYSTEM SL300950475 STAFF ICE SYSTEM 950475

1199504 TAP SPINDLE



STAFF ICE SYSTEM

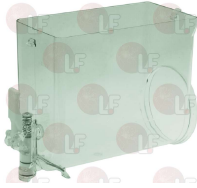


Suitable for:

Suitable for:

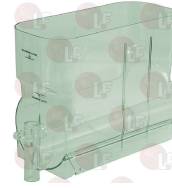
Drip tanks

1199328 TANK WITH TAP



STAFF ICE SYSTEM SL300970265 STAFF ICE SYSTEM SL310000629 STAFF ICE SYSTEM 970265

1199337 TANK 2002



STAFF ICE SYSTEM SL30000001 STAFF ICE SYSTEM SL320000001 STAFF ICE SYSTEM 950003

1199545 TRANSPARENT LID UL



STAFF ICE SYSTEM SL3GS36009B STAFF ICE SYSTEM 950359

Drip trays for coffee and bar

1199305 DRIP TRAY



STAFF ICE SYSTEM SL300950751 STAFF ICE SYSTEM 950751

1199345 DRIP TRAY with rear hooks



STAFF ICE SYSTEM SL300950014 STAFF ICE SYSTEM 950014

1199304 DRIP TRAY GRID



STAFF ICE SYSTEM SL300950750 STAFF ICE SYSTEM 950750

1199344 DRIP TRAY GRID



STAFF ICE SYSTEM SL300950031 STAFF ICE SYSTEM SL300950835 STAFF ICE SYSTEM 950031

Electrical sockets

1199306 LIGHT SWITCH BASE



STAFF ICE SYSTEM SL300991881 STAFF ICE SYSTEM 991881



STAFF ICE SYSTEM



Suitable for:

Suitable for:

Feet

1199312 RUBBER FOOT CE-3326 M8x20



STAFF ICE SYSTEM SL300350856 STAFF ICE SYSTEM 30/0382015

1313300 SUPPORTING FOOT H=40 mm



STAFF ICE SYSTEM SL300951357 STAFF ICE SYSTEM 950329 STAFF ICE SYSTEM 951357

Gaskets and seals

1199322 EVAPORATOR GASKET ø 170 mm
new type



STAFF ICE SYSTEM SL3GS36007B STAFF ICE SYSTEM 950070

3243069 O-RING OR 02068 EPDM



STAFF ICE SYSTEM 20/10011000

1186850 O-RING 03068 RED SILICONE



STAFF ICE SYSTEM SL300950194 STAFF ICE SYSTEM 950194

1186002 SUCTION GASKET FOR SCRAPER HOOKING



STAFF ICE SYSTEM SL300951857 STAFF ICE SYSTEM 951857

1199332 TAP GASKET



STAFF ICE SYSTEM SL300970002 STAFF ICE SYSTEM 970002

3357007 TAP GASKET
for model PCA-PCAC-PCA11-PCR-PCCRF-PCB



STAFF ICE SYSTEM 40/31920000

Lamps

1199308 GREEN INDICATOR LIGHT 230V
head ø 7 mm - hole ø 6 mm



STAFF ICE SYSTEM SL300993613 STAFF ICE SYSTEM 993613

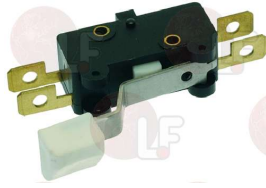
1199327 LAMP 21W 12V



STAFF ICE SYSTEM SL300950100 STAFF ICE SYSTEM 950100

Microswitches

1199309 MICROSWITCH 5A 250V



STAFF ICE SYSTEM SL300950587 STAFF ICE SYSTEM 950587

Motors

3240501 AXIAL VENTILATOR SUNON 120x120x38 mm
 ball bearings
 22W 230V 50/60Hz 2850 Rpm
 DP200A 2123XBT.GN
 for Granita machine (UGOLINI) MINIGEL - MTMINI



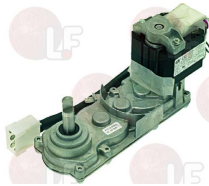
STAFF ICE SYSTEM SL37TAH0401 STAFF ICE SYSTEM 350188

1240304 GEAR MOTOR CROUZET 82334986
 230V 50Hz 30rpm 3,5W
 for Frigo drink (GBG) DRINK MAGIC



STAFF ICE SYSTEM SL310000518 STAFF ICE SYSTEM 352121

1240301 GEARMOTOR ELCO FR10-40-33 216
 115/230V 50/60Hz 70W 32rpm



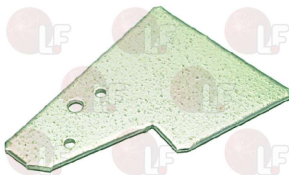
STAFF ICE SYSTEM SL300950212 STAFF ICE SYSTEM 950212

1198208 MAGNETIC IMPELLER 4 PADDLES



STAFF ICE SYSTEM SL3SM12739A STAFF ICE SYSTEM SL300001020 STAFF ICE SYSTEM 001020
 STAFF ICE SYSTEM 30/0951059

1199520 RETAINER FOR GEAR MOTOR



STAFF ICE SYSTEM

3240964 SUCTION BLADE \varnothing 250 mm 28°



STAFF ICE SYSTEM SL300000233 STAFF ICE SYSTEM SL300700421 STAFF ICE SYSTEM 000233

Pins

1199516 PIN FOR DENSITY ADJUSTMENT



STAFF ICE SYSTEM SL300950079 STAFF ICE SYSTEM 950079

1199515 RETAINER FOR DENSITY ADJUSTMENT



STAFF ICE SYSTEM



STAFF ICE SYSTEM



Suitable for:

Suitable for:

1199518 SHAFT COUPLING WITH BUSHING



STAFF ICE SYSTEM SL300950321 STAFF ICE SYSTEM 950321

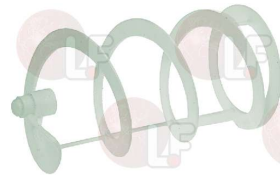
Scrolls

1199320 NEW SCROLL ADAPTER KIT



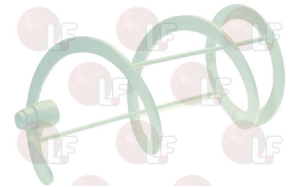
STAFF ICE SYSTEM SL300970382 STAFF ICE SYSTEM SL310005008 STAFF ICE SYSTEM 970382

1199508 SCROLL GRANITA MACHINE



STAFF ICE SYSTEM SL3GS12009D STAFF ICE SYSTEM 30/0951600 STAFF ICE SYSTEM 950224

1199329 SPIRAL STIRRING BLADE



STAFF ICE SYSTEM SL300970005 STAFF ICE SYSTEM SL310001772 STAFF ICE SYSTEM 970005

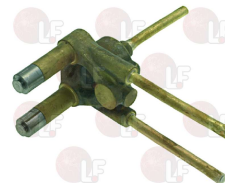
Solenoid valves

1199316 COIL CEME B4 230V 50 Hz



STAFF ICE SYSTEM SL300951342 STAFF ICE SYSTEM 951342

1199317 DOUBLE SOLENOID VALVE BODY CEME



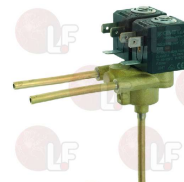
STAFF ICE SYSTEM 970159

1120602 SOLENOID VALVE CEME 5935 3-WAY
230V 50/60Hz
tubes ø 5 mm - orifice 1.5 mm



STAFF ICE SYSTEM SL3GS36711B STAFF ICE SYSTEM 951231

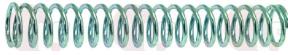
1120253 2-WAY SOLENOID VALVE CEME
230V 50/60Hz
tubes ø 5 mm - orifice 1.5 mm



STAFF ICE SYSTEM SL3GS24711B STAFF ICE SYSTEM 901230 STAFF ICE SYSTEM 951230

Springs

1250701 SPRING FOR DENSITY ADJUSTMENT



STAFF ICE SYSTEM

1199311 SPRING GUIDE FOR ADJUSTMENT SYSTEM



STAFF ICE SYSTEM SL3GS12037B STAFF ICE SYSTEM 950073

1199333 TAP SPRING



STAFF ICE SYSTEM SL300970040 STAFF ICE SYSTEM 970040

1199339 TAP SPRING



STAFF ICE SYSTEM SL300950167 STAFF ICE SYSTEM 950167

Switches

3319468 BLACK SINGLE POLE SWITCH 16A 250V

silk-screen printing 0 - I
 max temperature 120°C
 mounting hole 11x30 mm
 for CAB FAST COLD 1-2-3/NEW FABY 1-2-3
 for COFRIMELL FRIGO DRINK COF-COLDREAM-JETCOF-
 MEGA25-MEGA40-NEWCOF
 for Frigo drink (COFRIMELL) COF - COLDREAM
 JETCOF - MEGA25 - MEGA40 - NEWCOF
 for Granita machine (CAB) FAST COLD1 - FAST COLD2
 FAST COLD3 - NEW FABY1 - NEW FABY2 - NEW FABY3



STAFF ICE SYSTEM SL300951088 STAFF ICE SYSTEM 951088

1199343 BLACK SINGLE-POLE SWITCH 6A 250V

silk-screen printing 0 - I
 temperature max 120°C
 mounting hole 13x20 mm



STAFF ICE SYSTEM SL300950567 STAFF ICE SYSTEM 950567

1199303 BLACK THREE-POLE SWITCH 16A 250V

silk-screen printing II - 0 - I
 temperature max 120°C
 mounting hole 11x30 mm



STAFF ICE SYSTEM SL300951089 STAFF ICE SYSTEM 951089



Suitable for:

Suitable for:

Thermostats

1444106 RANCO THERMOSTAT K50 L3100

2 contacts 6A 250V
capillary 1000 mm
D-shaped pin \varnothing 6x4.6 mm



STAFF ICE SYSTEM SL300372061 STAFF ICE SYSTEM 372061

1444107 THERMOSTAT RANCO K50 L3231

2 contacts 6A 250V



STAFF ICE SYSTEM SL300350467 STAFF ICE SYSTEM SL37AAL3231 STAFF ICE SYSTEM 350467

3444919 THERMOSTAT RANCO K50 P1115

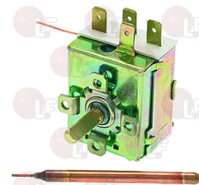
2 contacts 6A 250V
capillary 2000 mm
COLD +1.5°C - WARM +11.0°C
D shaft \varnothing 6x4.6 mm



STAFF ICE SYSTEM 40/07011000 STAFF ICE SYSTEM 90/82034000

3444004 THERMOSTAT TR2 0-90°C

D-shaped pin \varnothing 6x4.6 mm
capillary 1500 mm - 15A 250V
bulb \varnothing 6.5x95 mm



STAFF ICE SYSTEM 40/07050000

Timers

1199300 TIMER P215 1CAM 4 MINUTES

230V 50/60Hz
for Granita machine (STAFF ICE SYSTEM) H10 - MH14



STAFF ICE SYSTEM SL300950565 STAFF ICE SYSTEM 950565

Transformers

1199301 TRANSFORMER 20VA 12/220V



STAFF ICE SYSTEM SL300951431 STAFF ICE SYSTEM 30/0950550 STAFF ICE SYSTEM 951431

The data herewith contained may change without notice and LF SpA cannot be held responsible for possible errors stated or resulting by the use of this document. All rights reserved. No part of this publication may be reproduced without written permission by LF SpA.



LF SpA
via Voltri, 80 - 47522 Cesena (FC) ITALIA
Tel. +39 0547 34 11 11 - Fax +39 0547 34 11 10
www.lfricambi724.it - www.lfricambi724.mobi
info@lfricambi.it
Export Dept.: Tel. +39 0547 34 11 50 - Fax: +39 0547 34 11 55
www.lfspareparts724.com - www.lfspareparts724.mobi
export@lfspareparts.com

FRANCE



EPGC Sas
13, Rue des Forts - 59960 Neuville en Ferrain
Tél. +33 (0)3 20 25 06 21
Fax +33 (0)3 20 25 34 12
www.epgc.com
www.epgc724.mobi
epgc@epgc.com

DEUTSCHLAND



LF GmbH
Junkersstrasse, 1 - D-82178 Puchheim - München
Tel. +49 89 89 45 78 66
Fax +49 89 89 45 78 88
www.lfersatzteile724.de
www.lfersatzteile724.mobi
info@lfersatzteile.de

SCHWEIZ



LF GmbH Verkaufsbüro
Sennweidstrasse, 45 - CH-6312 Steinhausen
Tel. +41 (0)41 760 15 80-1
Fax +41 (0)41 760 15 85
www.lfersatzteile724.ch
www.lfersatzteile724.mobi
info@lfersatzteile.ch

ESPAÑA



LF Repuestos Horeca S.L.U.
Calle Ciudad Real, 10 - 45517 Escalonilla - Toledo
Tif. +34 91 477 91 00
Fax +34 91 477 90 81
www.lfrepuestos724.es
www.lfrepuestos724.mobi
info@lfrepuestos.es

UNITED KINGDOM



LF Spare Parts Ltd.
A10a Lakeside Business Park, Broadway Lane
South Cerney, Gloucestershire GL7 5XL
Tel. +44 (0)1285 86 16 25
Fax +44 (0)1285 86 39 49
www.lfspareparts724.co.uk
www.lfspareparts724.mobi
info@lfspareparts.co.uk

RUSSIA



OOO LF
ul, Anatoliya Zhivova, 8 - office 1 - 123100 Moscow
Tel. +7 499 259 85 75
Fax +7 495 725 26 53
www.lfspareparts724.ru
www.lfspareparts724.mobi
info@lfspareparts.ru

CHINA



LF China
Room 102, House 8, Lane 725, Mao Tai Rd.
Changning Dist. - 200336 Shanghai
Tel. +86 (0)21 33 53 66 31
Fax +86 (0)21 33 53 66 32
www.lfspareparts724.com
www.lfspareparts724.mobi
china@lfspareparts.com