



Spare parts for:

Bar equipment



Suitable for:

WEGA



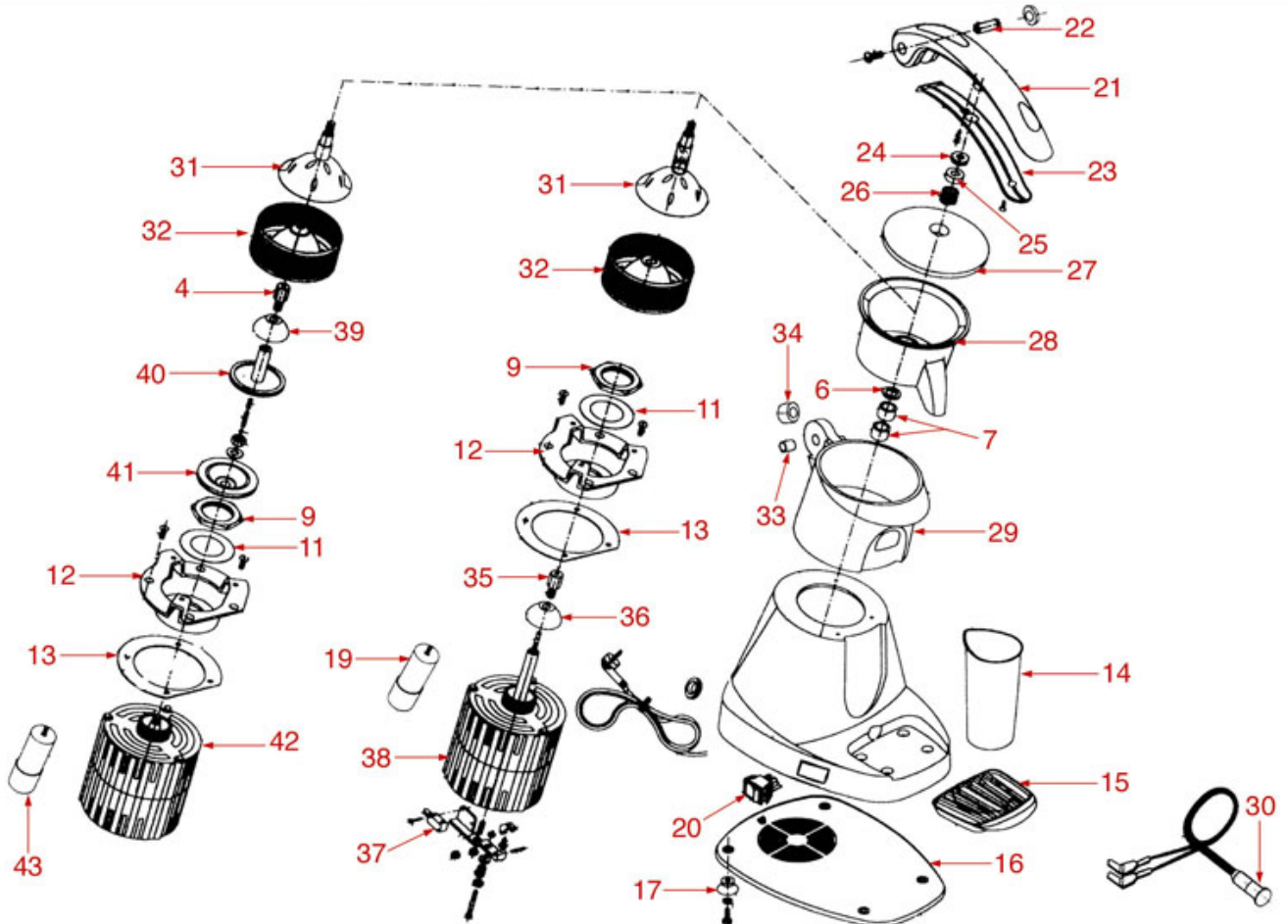
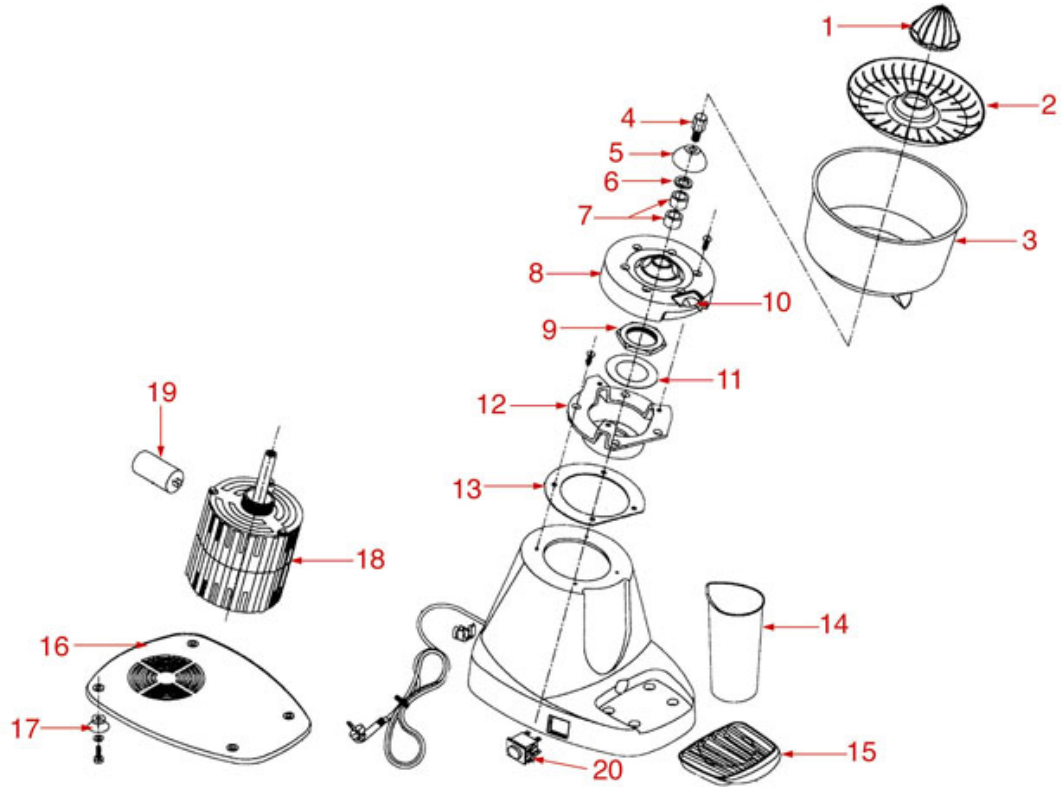
This catalogue is automatically generated.
Therefore, the sequence of the items might
not be always shown at best.
Updates will be issued in case of additions
and/or amendments.

Suitable universal spare parts may not be included





CITRUS SQUEEZER SERIE M



WEAB01



WEGA



Position	LF code no.	Description
1	1381105	BIG PLASTIC CONE
1	1381106	SMALL PLASTIC CONE
2	1381102	PLASTIC SIEVE
6	1186954	RETAINING GASKET
14	1080021	PLASTIC JUG
19	3068016	CAPACITOR μ F 10 450V 50/60Hz
20	1319174	BLACK BIPOLAR SWITCH 8A 250V
21	1381101	ALUMINUM LEVER
31	1381104	STAINLESS STEEL BELL
32	1381103	STAINLESS STEEL CONE
37	3240123	MICROSWITCH 16A 250V



Suitable for:

WEGA



Suitable for:

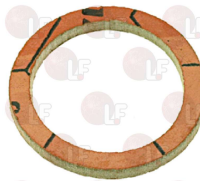
Microswitches

1381101 ALUMINUM LEVER



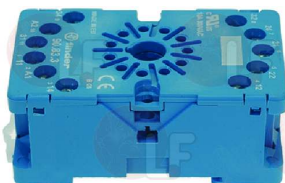
WEGA WY28001006

1186340 ASBESTOS FREE FLAT GASKET \varnothing 26x20x2 mm



WEGA WY12004

3351158 BASE UNDECAL ES11 10A 400V
11 poles



WEGA

1381105 BIG PLASTIC CONE



WEGA

3319296 BLACK BIPOLAR SWITCH 16A 250V
with red led indicator light
max temperature 120°C
mounting hole 22x30 mm



WEGA WY18263

1319174 BLACK BIPOLAR SWITCH 8A 250V
with yellow led indicator lamp
silk-screen printing TAZZINA CAFFÈ
temperature max. 120°C
mounting hole 22x30 mm



WEGA

1384001 BRUSH FOR COFFEE SHOWER



WEGA WY15426

3068016 CAPACITOR μ F 10 450V 50/60Hz
operating temperature -25+85°C
in compliance with EEC 93/68 and 92/31 regulations



WEGA WY19050

3068014 CAPACITOR μ F 8 450V 50/60Hz
operating temperature -25+85°C
in compliance with EEC 93/68 and 92/31 regulations



WEGA WY19062001

3120032 COIL PARKER ZB09 9W 220/240V 50/60Hz
width 34 mm - height 33 mm
depth 43 mm



WEGA



Suitable for:

3120034 CONNECTOR FEMALE LARGE
for coils



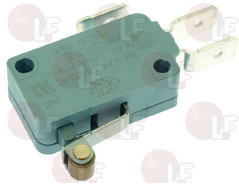
WEGA

3449404 DOUBLE-WIRE CLAMP 8.8-9.3 - 100 PCS
for hoses \varnothing 8.8÷9.3 mm



WEGA WY15056001

1240016 MICROSWITCH 16A 250V
for Blender (ARISTARCO) GS/N



WEGA WY18253

1186414 O-RING 0119 EPDM



WEGA WY12303

1080021 PLASTIC JUG



WEGA WY28001020

Suitable for:

3449402 DOUBLE-WIRE CLAMP 7.8-8.3 - 100 PCS
for hoses \varnothing 7.8÷8.3 mm



WEGA WY15056000

3221132 GREEN INDICATOR LAMP 230V
head \varnothing 13.5 mm - hole \varnothing 10 mm - 120°C
universal application



WEGA WY21011

3240123 MICROSWITCH 16A 250V
for Granita machine (UGOLINI) GIANTGL - MTGL
MTMINI
for Ice crusher (SANTOS) 9
for Mixer (ROBOT COUPE) MP350 - MP450 - MP550
MP550A - MP600 - MP600A



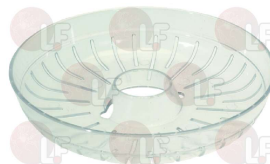
WEGA

1186472 O-RING 04075 EPDM



WEGA W10311

1381102 PLASTIC SIEVE



WEGA



Suitable for:

WEGA



1460100 PRECISION FILTER 1 CUP 6/8 g
 round holes with conical section
 Aisi 304 stainless steel - food-safe certified
 matching tamper \varnothing 58 mm
 for COFFEE MACHINES ASTORIA-CASADIO-CONTI-ELEKTRA
 FRACINO-KEESVANDERWESTEN-MAGISTER-MARZOCCO
 N.SIMONELLI-PAVONI-PROMAC-RANCILIO-SLAYER-SYNESSO
 VICTORIA ARDUINO
 for GROUPS E61 ASCASO-BEZZERA-BFC-BIANCHI
 BRASILIA-DID-ECM-EXPOBAR-FAEMA-FIORENZATO-GRIMAC
 IBERITAL-LANUOVAERA-LASCALA-ORCHESTRALE
 QUALITYESPRESSO-ROCKET-ROYAL-SABITALIA-SANREMO-VFA
 VIBIEMME-WEGA



WEGA

1460101 PRECISION FILTER 1 CUP 7/9 g
 round holes with conical section
 Aisi 304 stainless steel - food hygiene certified
 matching tamper \varnothing 58 mm
 for COFFEE MACHINES ASTORIA-CASADIO-CONTI-ELEKTRA
 FRACINO-KEESVANDERWESTEN-MAGISTER-MARZOCCO
 N.SIMONELLI-PAVONI-PROMAC-RANCILIO-SLAYER-SYNESSO
 VICTORIAARDUINO
 for GROUP E61 ASCASO-BEZZERA-BFC-BIANCHI
 BRASILIA-DID-ECM-EXPOBAR-FAEMA-FIORENZATO-GRIMAC
 IBERITAL-LANUOVAERA-LASCALA-L'ORCHESTRALE
 QUALITYESPRESSO-ROCKET-ROYAL-SABITALIA-SANREMO-VFA
 VIBIEMME-WEGA



WEGA

1460111 PRECISION FILTER 2 CUPS 12/18 g
 round holes with conic section
 Aisi 304 stainless steel - alimentary certificatio
 suitable tamper \varnothing 53 mm
 for COFFEE MACHINES ASTORIAPLUS4YOU-WEGA
 SPAZIALE



WEGA

1460110 PRECISION FILTER 1 CUP 6/8 g
 round holes with conic section
 Aisi 304 stainless steel - alimentary certificatio
 suitable tamper \varnothing 53 mm
 for COFFEE MACHINES ASTORIAPLUS4YOU-WEGA
 CONCEPT SPAZIALE



WEGA

1460102 PRECISION FILTER 2 CUPS 12/18 g
 round holes with conical section
 Aisi 304 stainless steel - food hygiene certified
 matching tamper \varnothing 58 mm
 for COFFEE MACHINES ASTORIA-CASADIO-CONTI-ELEKTRA
 FRACINO-KEESVANDERWESTEN-MAGISTER-MARZOCCO
 N.SIMONELLI-PAVONI-PROMAC-RANCILIO-SLAYER-SYNESSO
 VICTORIAARDUINO
 for GROUP E61 ASCASO-BEZZERA-BFC-BIANCHI
 BRASILIA-DID-ECM-EXPOBAR-FAEMA-FIORENZATO-GRIMAC
 IBERITAL-LANUOVAERA-LASCALA-L'ORCHESTRALE
 QUALITYESPRESSO-ROCKET-ROYAL-SABITALIA-SANREMO-VFA
 VIBIEMME-WEGA



WEGA

1460103 PRECISION FILTER 2 CUPS 14/20 g
 round holes with section conical
 Aisi 304 stainless steel - food hygiene certified
 matching tamper \varnothing 58 mm
 for COFFEE MACHINES ASTORIA-CASADIO-CONTI-ELEKTRA
 FRACINO-KEESVANDERWESTEN-MAGISTER-MARZOCCO
 N.SIMONELLI-PAVONI-PROMAC-RANCILIO-SLAYER-SYNESSO
 VICTORIAARDUINO
 for GROUP E61 ASCASO-BEZZERA-BFC-BIANCHI
 BRASILIA-DID-ECM-EXPOBAR-FAEMA-FIORENZATO-GRIMAC
 IBERITAL-LANUOVAERA-LASCALA-L'ORCHESTRALE
 QUALITYESPRESSO-ROCKET-ROYAL-SABITALIA-SANREMO-VFA
 VIBIEMME-WEGA



WEGA



Suitable for:

Suitable for:

1460104 PRECISION FILTER 2 CUPS 18/22 g
 round holes with conical section
 Aisi 304 stainless steel - food hygiene certified
 matching tamper \varnothing 58 mm
 for COFFEE MACHINES ASTORIA-CASADIO-CONTI-ELEKTRA
 FRACINO-KEESVANDERWESTEN-MAGISTER-MARZOCCO
 N.SIMONELLI-PAVONI-PROMAC-RANCILIO-SLAYER-SYNESSO
 VICTORIAARDUINO
 for GROUP E61 ASCASO-BEZZERA-BFC-BIANCHI
 BRASILIA-DID-ECM-EXPOBAR-FAEMA-FIORENZATO-GRIMAC
 IBERITAL-LANUOVAERA-LASCALA-L'ORCHESTRALE
 QUALITYSPRESSO-ROCKET-ROYAL-SABITALIA-SANREMO-VFA
 VIBIEMME-WEGA

1460112 PRECISION FILTER 3 CUPS 21 g
 round holes with conic section
 Aisi 304 stainless steel - alimentary certifie
 suitable tamper \varnothing 53 mm
 for COFFEE MACHINES ASTORIAPLUS4YOU-WEGA
 CONCEPT SPAZIALE

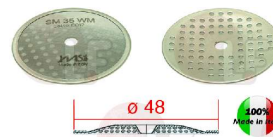
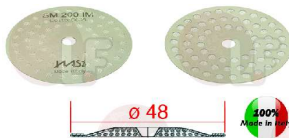


WEGA

WEGA

1460210 PRECISION SHOWER SCREEN \varnothing 48 mm
 central hole 5 mm - 63 holes \varnothing 3 mm
 Aisi 316 stainless steel - food-safe certified
 integrated membrane 200 μ M

1460212 PRECISION SHOWER SCREEN \varnothing 48 mm
 central hole 5 mm - 80 holes \varnothing 2 mm
 Aisi 304 stainless steel - alimentary certified
 wire membrane 35 μ M

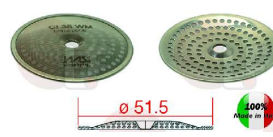
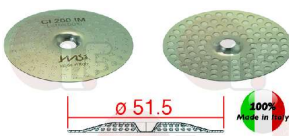


WEGA

WEGA

1460200 PRECISION SHOWER SCREEN \varnothing 51.5 mm
 central hole 5 mm - 98 holes \varnothing 3 mm
 Aisi 301 stainless steel - food-safe certified
 integrated membrane 200 μ M

1460205 PRECISION SHOWER SCREEN \varnothing 51.5 mm
 central hole 5 mm - 119 holes \varnothing 2 mm
 Aisi 304 stainless steel - food hygiene certified
 wire membrane 35 μ M



WEGA

WEGA

1460201 PRECISION SHOWER SCREEN \varnothing 60 mm
 98 holes \varnothing 3 mm
 Aisi 304 stainless steel - food-safe certified
 integrated membrane 200 μ M
 for GROUPS E61

1460206 PRECISION SHOWER SCREEN \varnothing 60 mm
 120 holes \varnothing 2.5 mm
 Aisi 304 stainless steel - food-safe certified
 woven membrane 35 μ M
 for GROUPS E61



WEGA

WEGA



Suitable for:

WEGA



Suitable for:

3319016 RED BIPOLAR SWITCH 16A 250V

with indicator lamp
silk-screen print 0 - I
max temperature 120°C
mounting hole 22x30 mm



WEGA WY18260

3319948 RED BIPOLAR SWITCH 16A 250V

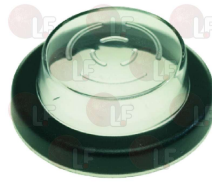
with indicator lamp
max. temperature 120°C
mounting hole \varnothing 25 mm



WEGA WY10963

3319151 SWITCH PROTECTION CAP

\varnothing external 34 mm
for push-buttons with mounting hole \varnothing 25 mm



1186954 RETAINING GASKET



WEGA

1330012 ROTARY VANE PUMP PROCON \varnothing 3/8" NPT

clamp connection
flow rate 200 l/h
equipped with balanced bypass
connection \varnothing 3/8" conical NPT



WEGA WY26302

1349100 PUMP CONNECTION \varnothing 3/8" CONIC-3/8" STRAIGH

3/8" CONICAL(NPT)-3/8" STRAIGHT



1168011 STAINLESS STEEL CLAMP FOR FLANGE PUMP



WEGA WY26310003

Suitable for:

1449682 SILICONE HOSE \varnothing 5x8 SHORE 60 - 10 m
alimentary



WEGA WY15477011

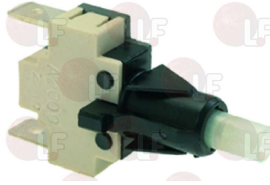
Suitable for:

1449282 SILICONE HOSE \varnothing 5x8 SHORE 60 - 100 m
alimentary



WEGA WY15477011

1319082 SINGLE-POLE PUSH BUTTON 16A 250V



WEGA WY18371058

WEGA W05072

1381106 SMALL PLASTIC CONE



WEGA

1381104 STAINLESS STEEL BELL



WEGA WY28001004

1381103 STAINLESS STEEL CONE



WEGA WY28001016

1313551 SUCTION FOOT



WEGA WY28360015

3319501 SWITCH PROTECTION CAP
external dimensions 29x36 mm
for switches with mounting hole 22x30 mm



WEGA WY19049

3357007 TAP GASKET
for model PCA-PCAC-PCA11-PCR-PCCRF-PCB



WEGA WY12213

1449500 TEFLON PIPE \varnothing 2x4 mm - 10 m
alimentary



WEGA WY15452001



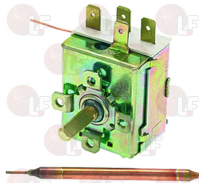
Suitable for:

WEGA



Suitable for:

3444004 THERMOSTAT TR2 0-90°C
D-shaped pin \varnothing 6x4.6 mm
capillary 1500 mm - 15A 250V
bulb \varnothing 6.5x95 mm



WEGA WY20314

The data herewith contained may change without notice and LF SpA cannot be held responsible for possible errors stated or resulting by the use of this document. All rights reserved. No part of this publication may be reproduced without written permission by LF SpA.



LF SpA
via Voltri, 80 - 47522 Cesena (FC) ITALIA
Tel. +39 0547 34 11 11 - Fax +39 0547 34 11 10
www.lfricambi724.it - www.lfricambi724.mobi
info@lfricambi.it
Export Dept.: Tel. +39 0547 34 11 50 - Fax: +39 0547 34 11 55
www.lfspareparts724.com - www.lfspareparts724.mobi
export@lfspaceparts.com

FRANCE



EPGC Sas
13, Rue des Forts - 59960 Neuville en Ferrain
Tél. +33 (0)3 20 25 06 21
Fax +33 (0)3 20 25 34 12
www.epgc.com
www.epgc724.mobi
epgc@epgc.com

DEUTSCHLAND



LF GmbH
Junkersstrasse, 1 - D-82178 Puchheim - München
Tel. +49 89 89 45 78 66
Fax +49 89 89 45 78 88
www.lfersatzteile724.de
www.lfersatzteile724.mobi
info@lfersatzteile.de

SCHWEIZ



LF GmbH Verkaufsbüro
Sennweidstrasse, 45 - CH-6312 Steinhausen
Tel. +41 (0)41 760 15 80-1
Fax +41 (0)41 760 15 85
www.lfersatzteile724.ch
www.lfersatzteile724.mobi
info@lfersatzteile.ch

ESPAÑA



LF Repuestos Horeca S.L.U.
Calle Ciudad Real, 10 - 45517 Escalonilla - Toledo
Tif. +34 91 477 91 00
Fax +34 91 477 90 81
www.lfrepuestos724.es
www.lfrepuestos724.mobi
info@lfrepuestos.es

UNITED KINGDOM



LF Spare Parts Ltd.
A10a Lakeside Business Park, Broadway Lane
South Cerney, Gloucestershire GL7 5XL
Tel. +44 (0)1285 86 16 25
Fax +44 (0)1285 86 39 49
www.lfspareparts724.co.uk
www.lfspareparts724.mobi
info@lfspaceparts.co.uk

RUSSIA



OOO LF
ul, Anatoliya Zhivova, 8 - office 1 - 123100 Moscow
Tel. +7 499 259 85 75
Fax +7 495 725 26 53
www.lfspareparts724.ru
www.lfspareparts724.mobi
info@lfspaceparts.ru

CHINA



LF China
Room 102, House 8, Lane 725, Mao Tai Rd.
Changning Dist. - 200336 Shanghai
Tel. +86 (0)21 33 53 66 31
Fax +86 (0)21 33 53 66 32
www.lfspareparts724.com
www.lfspareparts724.mobi
china@lfspaceparts.com