



Spare parts for:
Coffee grinders



Suitable for:

COMPAK

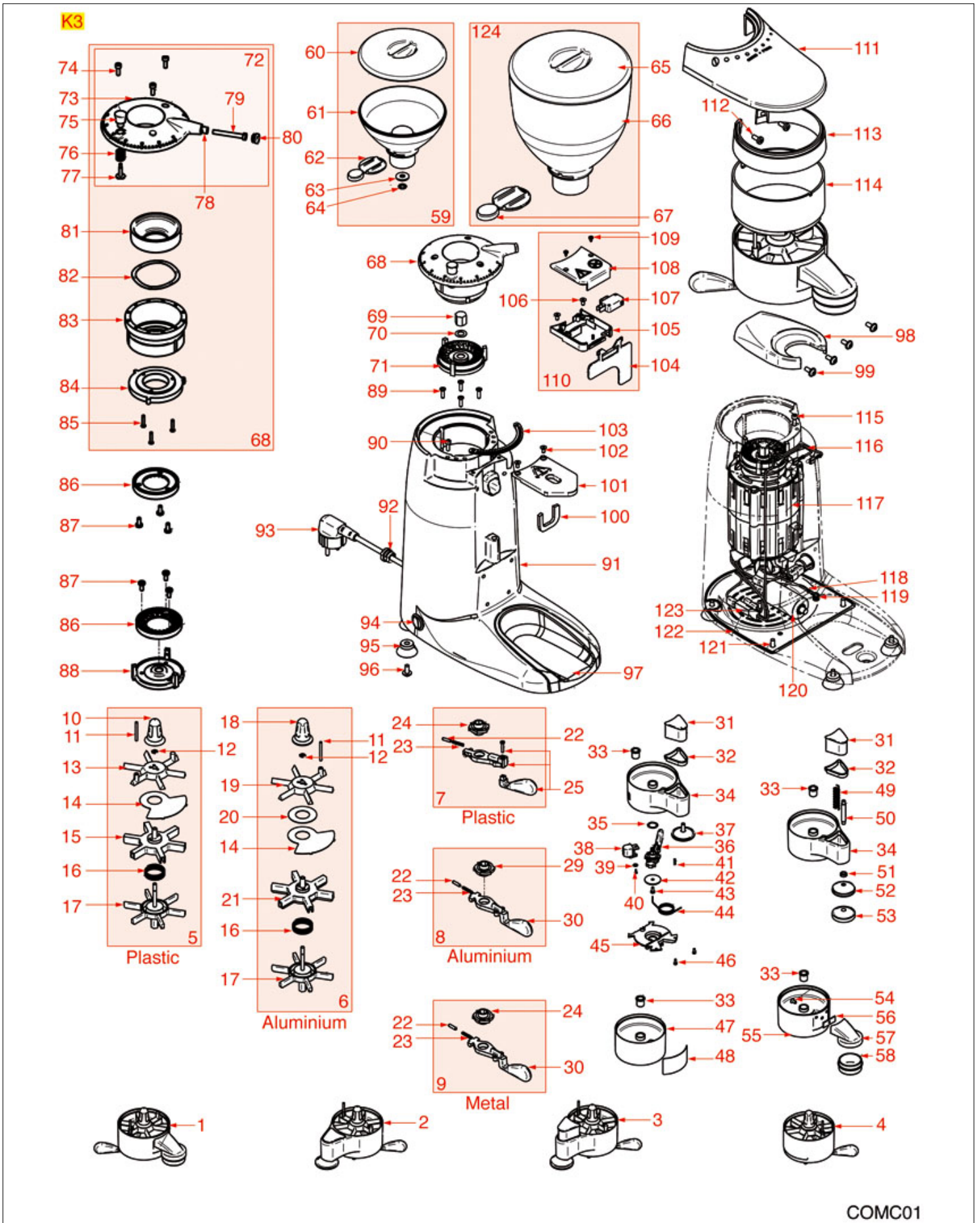


This catalogue is automatically generated.
Therefore, the sequence of the items might
not be always shown at best.
Updates will be issued in case of additions
and/or amendments.
Suitable universal spare parts may not be included





GRINDER ASSEMBLY K3





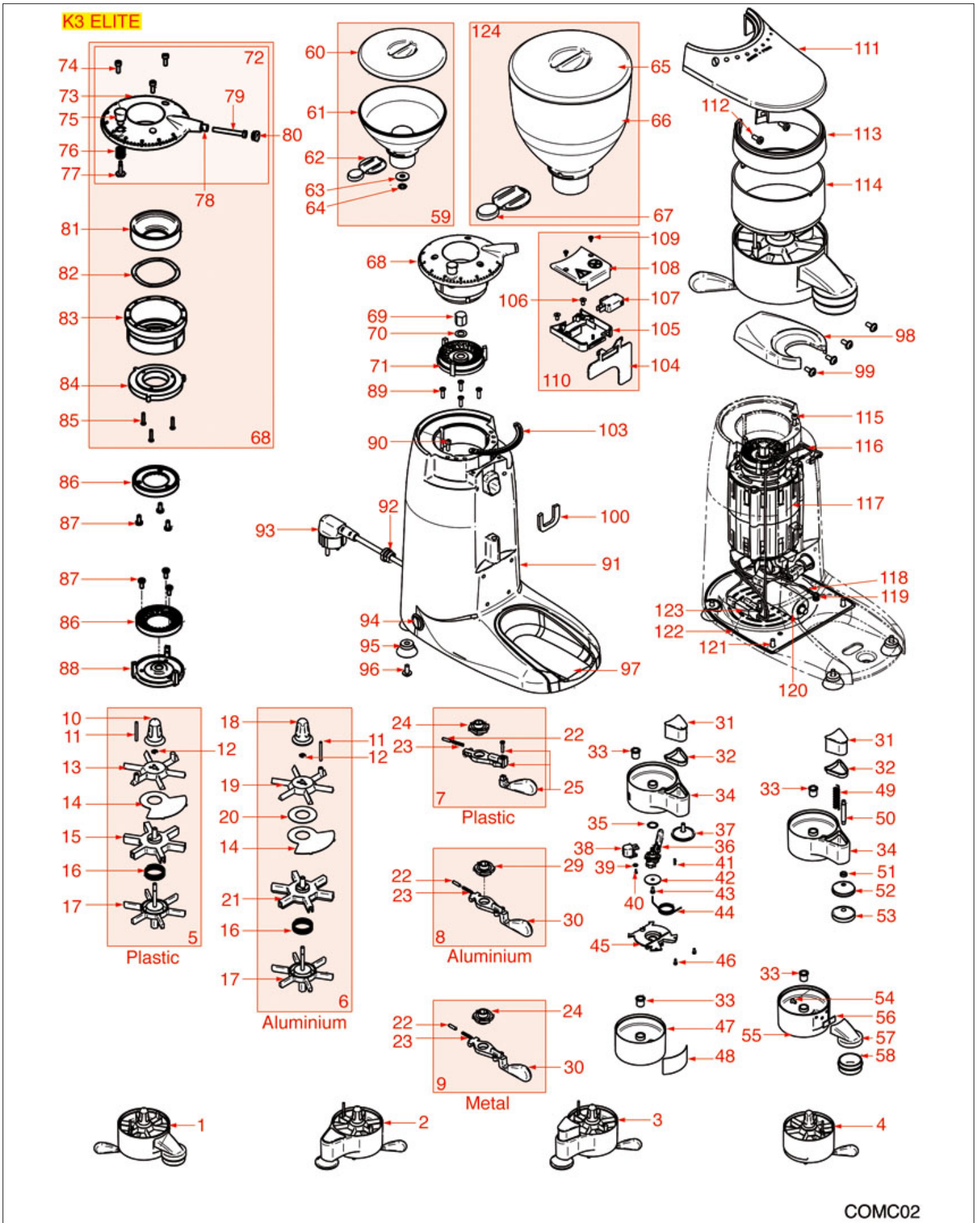
COMPAK



| Position | LF code no. | Description |
|----------|-------------|---|
| 5 | 1343001 | PLASTIC STAR ASSEMBLY |
| 6 | 1343002 | ALUMINIUM STAR ASSEMBLY |
| 10 | 1241087 | PLASTIC ADJUSTMENT KNOB |
| 11 | 1090026 | DOSER SCRAPER \varnothing 4x42 mm |
| 13 | 1343069 | PLASTIC TOP STAR |
| 14 | 1343070 | DIVIDING SHEET |
| 15 | 1343071 | PLASTIC MIDDLE STAR |
| 16 | 1250210 | STAR SPRING \varnothing 38x35 mm |
| 17 | 1343072 | ALUMINUM BOTTOM STAR |
| 18 | 1241100 | ALUMINIUM ADJUSTMENT KNOB |
| 19 | 1343073 | ALUMINUM TOP STAR |
| 21 | 1343074 | ALUMINUM MIDDLE STAR |
| 22 | 1324602 | HANDLE SPINDLE |
| 23 | 1250207 | LEVER PIN SPRING \varnothing 4.5x24 mm |
| 24 | 1225031 | 6-TEETH PAWL |
| 25 | 1225032 | PLASTIC DOSER LEVER |
| 29 | 1225031 | 6-TEETH PAWL |
| 30 | 1225034 | METAL DOSER LEVER |
| 33 | 1252455 | BUSHING FOR DOSER |
| 35 | 1252457 | WAVE WASHER \varnothing 25.5 mm |
| 37 | 1439803 | COFFEE TAMPER LOWER CAP \varnothing 56 mm |
| 38 | 1252458 | COUNTER FOR COFFEE GRINDER |
| 41 | 1186953 | RUBBER PIECE |
| 42 | 1186955 | SHAFT WASHER \varnothing 40x5x2 mm |
| 44 | 1250198 | DOSER LEVER RETURN SPRING LEFTHAND |
| 44 | 1250208 | DOSER LEVER RETURN SPRING RIGHTHAND |
| 45 | 1090803 | DOSER BASE K6/K8 |
| 49 | 1250195 | COFFEE TAMPER SPRING \varnothing 15x85 mm |
| 53 | 1439805 | COFFEE TAMPER CAP \varnothing 52 mm |
| 56 | 1090814 | THREADED REINFORCEMENT |
| 57 | 1385516 | STANDARD COFFEE TAMPER |
| 58 | 1385516 | STANDARD COFFEE TAMPER |
| 58 | 1439802 | COFFEE TAMPER CAP \varnothing 52 mm |
| 62 | 1080096 | COFFEE HOPPER CLOSING SHEET |
| 65 | 1080097 | COFFEE HOPPER LID \varnothing 163 mm |
| 66 | 1080094 | COFFEE HOPPER |
| 67 | 1080096 | COFFEE HOPPER CLOSING SHEET |
| 68 | 1251136 | GRINDING BURRS TOP HOLDER |
| 68 | 1251148 | GRINDING BURRS TOP HOLDER |
| 73 | 1252459 | ADJUSTMENT RING NUT |
| 86 | 1251137 | GRINDING BURRS COMPAK (PAIR) RH |
| 87 | 1528001 | SCREW M4x10 UNI 6109 |
| 88 | 1251132 | GRINDING BURRS BOTTOM HOLDER |
| 94 | 1319232 | BLACK BIPOLAR SWITCH 10A 250V |
| 95 | 1313551 | SUCTION FOOT |
| 97 | 1260007 | COFFEE COLLECTION TRAY |
| 98 | 1162016 | FILTER HOLDER FORK |
| 100 | 1186740 | COFFEE OUTLET GASKET |
| 104 | 1240067 | DOSER FLAP |
| 107 | 1240059 | MICROSWITCH 21A 250V |
| 110 | 1240068 | MICRO BOX ASSY |
| 111 | 1090027 | DOSER LID |
| 113 | 1002821 | DOSER RING |
| 114 | 1090025 | DOSER CYLINDER \varnothing 125x60 mm |
| 120 | 3068010 | CAPACITOR μ F 6.3 450V 50/60Hz |



GRINDER ASSEMBLY K3 ELITE





COMPAK

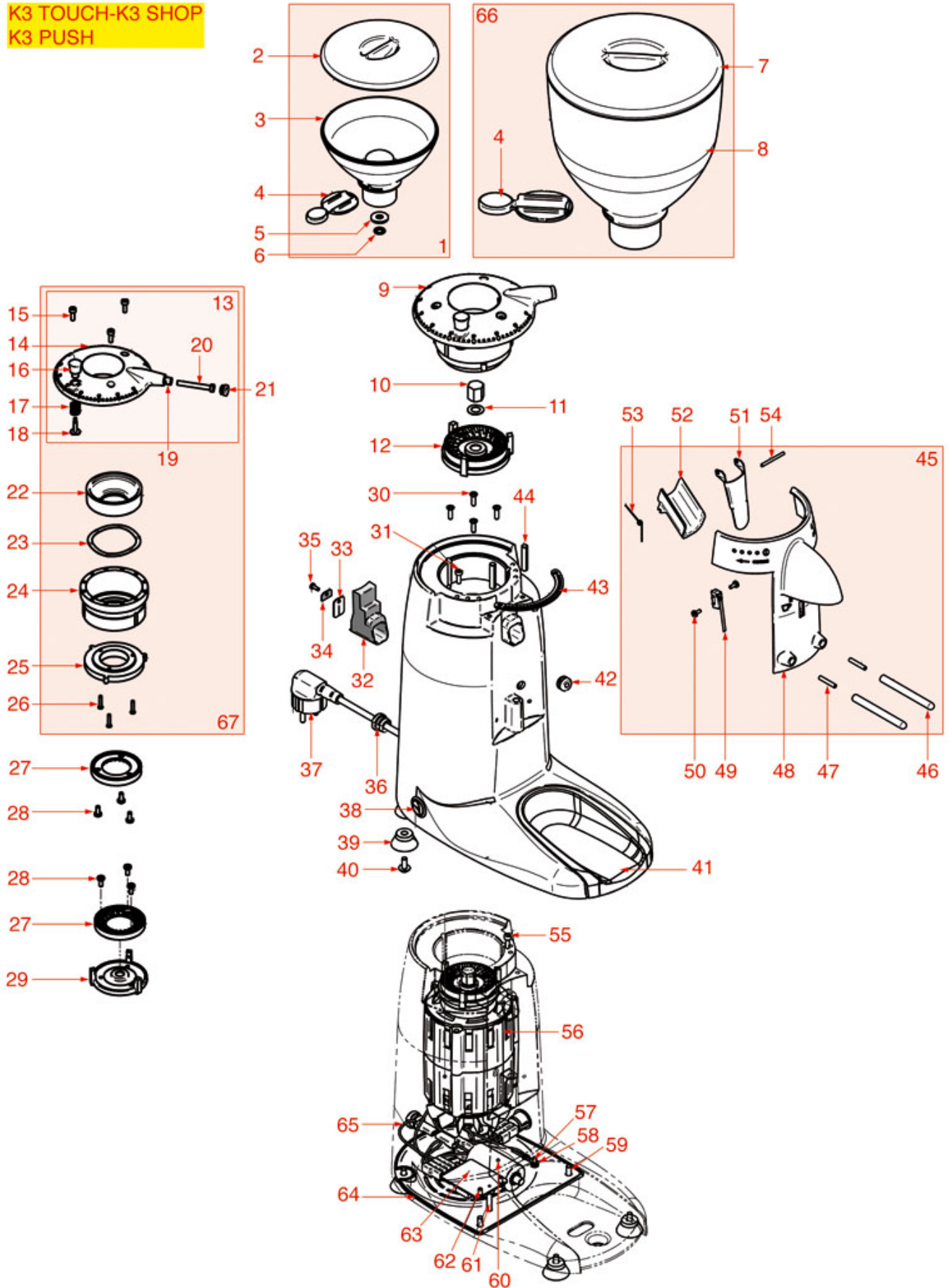


| Position | LF code no. | Description |
|----------|-------------|---|
| 5 | 1343001 | PLASTIC STAR ASSEMBLY |
| 6 | 1343002 | ALUMINIUM STAR ASSEMBLY |
| 10 | 1241087 | PLASTIC ADJUSTMENT KNOB |
| 11 | 1090026 | DOSER SCRAPER \varnothing 4x42 mm |
| 13 | 1343069 | PLASTIC TOP STAR |
| 14 | 1343070 | DIVIDING SHEET |
| 15 | 1343071 | PLASTIC MIDDLE STAR |
| 16 | 1250210 | STAR SPRING \varnothing 38x35 mm |
| 17 | 1343072 | ALUMINUM BOTTOM STAR |
| 18 | 1241100 | ALUMINIUM ADJUSTMENT KNOB |
| 19 | 1343073 | ALUMINUM TOP STAR |
| 21 | 1343074 | ALUMINUM MIDDLE STAR |
| 22 | 1324602 | HANDLE SPINDLE |
| 23 | 1250207 | LEVER PIN SPRING \varnothing 4.5x24 mm |
| 24 | 1225031 | 6-TEETH PAWL |
| 25 | 1225032 | PLASTIC DOSER LEVER |
| 29 | 1225031 | 6-TEETH PAWL |
| 30 | 1225034 | METAL DOSER LEVER |
| 33 | 1252455 | BUSHING FOR DOSER |
| 35 | 1252457 | WAVE WASHER \varnothing 25.5 mm |
| 37 | 1439803 | COFFEE TAMPER LOWER CAP \varnothing 56 mm |
| 38 | 1252458 | COUNTER FOR COFFEE GRINDER |
| 41 | 1186953 | RUBBER PIECE |
| 42 | 1186955 | SHAFT WASHER \varnothing 40x5x2 mm |
| 44 | 1250198 | DOSER LEVER RETURN SPRING LEFTHAND |
| 44 | 1250208 | DOSER LEVER RETURN SPRING RIGHTHAND |
| 45 | 1090803 | DOSER BASE K6/K8 |
| 49 | 1250195 | COFFEE TAMPER SPRING \varnothing 15x85 mm |
| 53 | 1439805 | COFFEE TAMPER CAP \varnothing 52 mm |
| 56 | 1090814 | THREADED REINFORCEMENT |
| 57 | 1385516 | STANDARD COFFEE TAMPER |
| 58 | 1385516 | STANDARD COFFEE TAMPER |
| 58 | 1439802 | COFFEE TAMPER CAP \varnothing 52 mm |
| 62 | 1080096 | COFFEE HOPPER CLOSING SHEET |
| 65 | 1080097 | COFFEE HOPPER LID \varnothing 163 mm |
| 66 | 1080094 | COFFEE HOPPER |
| 67 | 1080096 | COFFEE HOPPER CLOSING SHEET |
| 68 | 1251148 | GRINDING BURRS TOP HOLDER |
| 73 | 1252459 | ADJUSTMENT RING NUT |
| 86 | 1251138 | GRINDING BURRS COMPAK (PAIR) RH |
| 87 | 1528001 | SCREW M4x10 UNI 6109 |
| 88 | 1251139 | GRINDING BURRS BOTTOM HOLDER |
| 94 | 1319233 | BLACK BIPOLAR SWITCH 10A 250V |
| 95 | 1313551 | SUCTION FOOT |
| 97 | 1260007 | COFFEE COLLECTION TRAY |
| 98 | 1162016 | FILTER HOLDER FORK |
| 100 | 1186740 | COFFEE OUTLET GASKET |
| 104 | 1240067 | DOSER FLAP |
| 107 | 1240059 | MICROSWITCH 21A 250V |
| 110 | 1240068 | MICRO BOX ASSY |
| 111 | 1090027 | DOSER LID |
| 113 | 1002511 | CHROMEPLATED DOSER RING |
| 114 | 1090025 | DOSER CYLINDER \varnothing 125x60 mm |
| 120 | 3068010 | CAPACITOR μ F 6.3 450V 50/60Hz |



COFFEE GRINDER K3 TOUCH-K3 SHOP-K3 PUSH

K3 TOUCH-K3 SHOP
K3 PUSH





COMPAK



| Position | LF code no. | Description |
|----------|-------------|---------------------------------|
| 4 | 1080096 | COFFEE HOPPER CLOSING SHEET |
| 7 | 1080097 | COFFEE HOPPER LID ø 163 mm |
| 8 | 1080094 | COFFEE HOPPER |
| 14 | 1252459 | ADJUSTMENT RING NUT |
| 27 | 1251138 | GRINDING BURRS COMPAK (PAIR) RH |
| 28 | 1528001 | SCREW M4x10 UNI 6109 |
| 29 | 1251139 | GRINDING BURRS BOTTOM HOLDER |
| 38 | 1319231 | BLACKTHREE-POLE SWITCH 10A 250V |
| 39 | 1313551 | SUCTION FOOT |
| 41 | 1260007 | COFFEE COLLECTION TRAY |
| 49 | 1240069 | MICROSWITCH 0.1A 250V |
| 49 | 1240070 | MICROSWITCH 10A 250V |
| 60 | 3068010 | CAPACITOR µF 6.3 450V 50/60Hz |
| 67 | 1251148 | GRINDING BURRS TOP HOLDER |



COMPAK



| Position | LF code no. | Description |
|----------|-------------|---|
| 5 | 1343001 | PLASTIC STAR ASSEMBLY |
| 6 | 1343002 | ALUMINIUM STAR ASSEMBLY |
| 10 | 1241087 | PLASTIC ADJUSTMENT KNOB |
| 11 | 1090026 | DOSER SCRAPER \varnothing 4x42 mm |
| 13 | 1343069 | PLASTIC TOP STAR |
| 14 | 1343070 | DIVIDING SHEET |
| 15 | 1343071 | PLASTIC MIDDLE STAR |
| 16 | 1250210 | STAR SPRING \varnothing 38x35 mm |
| 17 | 1343072 | ALUMINUM BOTTOM STAR |
| 18 | 1241100 | ALUMINIUM ADJUSTMENT KNOB |
| 19 | 1343073 | ALUMINUM TOP STAR |
| 21 | 1343074 | ALUMINUM MIDDLE STAR |
| 22 | 1324602 | HANDLE SPINDLE |
| 23 | 1250207 | LEVER PIN SPRING \varnothing 4.5x24 mm |
| 24 | 1225031 | 6-TEETH PAWL |
| 25 | 1225032 | PLASTIC DOSER LEVER |
| 29 | 1225031 | 6-TEETH PAWL |
| 30 | 1225034 | METAL DOSER LEVER |
| 33 | 1252455 | BUSHING FOR DOSER |
| 35 | 1252457 | WAVE WASHER \varnothing 25.5 mm |
| 37 | 1439803 | COFFEE TAMPER LOWER CAP \varnothing 56 mm |
| 38 | 1252458 | COUNTER FOR COFFEE GRINDER |
| 41 | 1186953 | RUBBER PIECE |
| 42 | 1186955 | SHAFT WASHER \varnothing 40x5x2 mm |
| 44 | 1250198 | DOSER LEVER RETURN SPRING LEFTHAND |
| 44 | 1250208 | DOSER LEVER RETURN SPRING RIGHTHAND |
| 45 | 1090803 | DOSER BASE K6/K8 |
| 49 | 1250195 | COFFEE TAMPER SPRING \varnothing 15x85 mm |
| 53 | 1439805 | COFFEE TAMPER CAP \varnothing 52 mm |
| 56 | 1090814 | THREADED REINFORCEMENT |
| 57 | 1385516 | STANDARD COFFEE TAMPER |
| 58 | 1385516 | STANDARD COFFEE TAMPER |
| 58 | 1439802 | COFFEE TAMPER CAP \varnothing 52 mm |
| 59 | 1080506 | COMPLETE COFFEE HOPPER |
| 60 | 1252366 | COFFEE HOPPER LID |
| 61 | 1080095 | COFFEE HOPPER |
| 62 | 1080096 | COFFEE HOPPER CLOSING SHEET |
| 70 | 1252460 | ADJUSTMENT RING NUT |
| 82 | 1251501 | GRINDING BURRS PAIR COMPAK RH |
| 84 | 1528001 | SCREW M4x10 UNI 6109 |
| 85 | 1251147 | GRINDING BURRS BOTTOM HOLDER |
| 95 | 3319294 | BLACK BIPOLAR SWITCH 16A 250V |
| 96 | 1313551 | SUCTION FOOT |
| 98 | 1260004 | COFFEE COLLECTION TRAY |
| 99 | 1162016 | FILTER HOLDER FORK |
| 104 | 1252461 | GASKET FOR COFFEE OUTLET OPENING |
| 106 | 1002511 | CHROMEPLATED DOSER RING |
| 106 | 1002821 | DOSER RING |
| 107 | 1090810 | DOSER CYLINDER |
| 108 | 1090029 | DOSER LID |
| 109 | 1090030 | DOSER FLAP |
| 112 | 1240059 | MICROSWITCH 21A 250V |
| 115 | 1252102 | FLAP WITH MICROSWITCH BOX |
| 123 | 1186954 | RETAINING GASKET |
| 130 | 3186343 | O-RING 02106 EPDM |



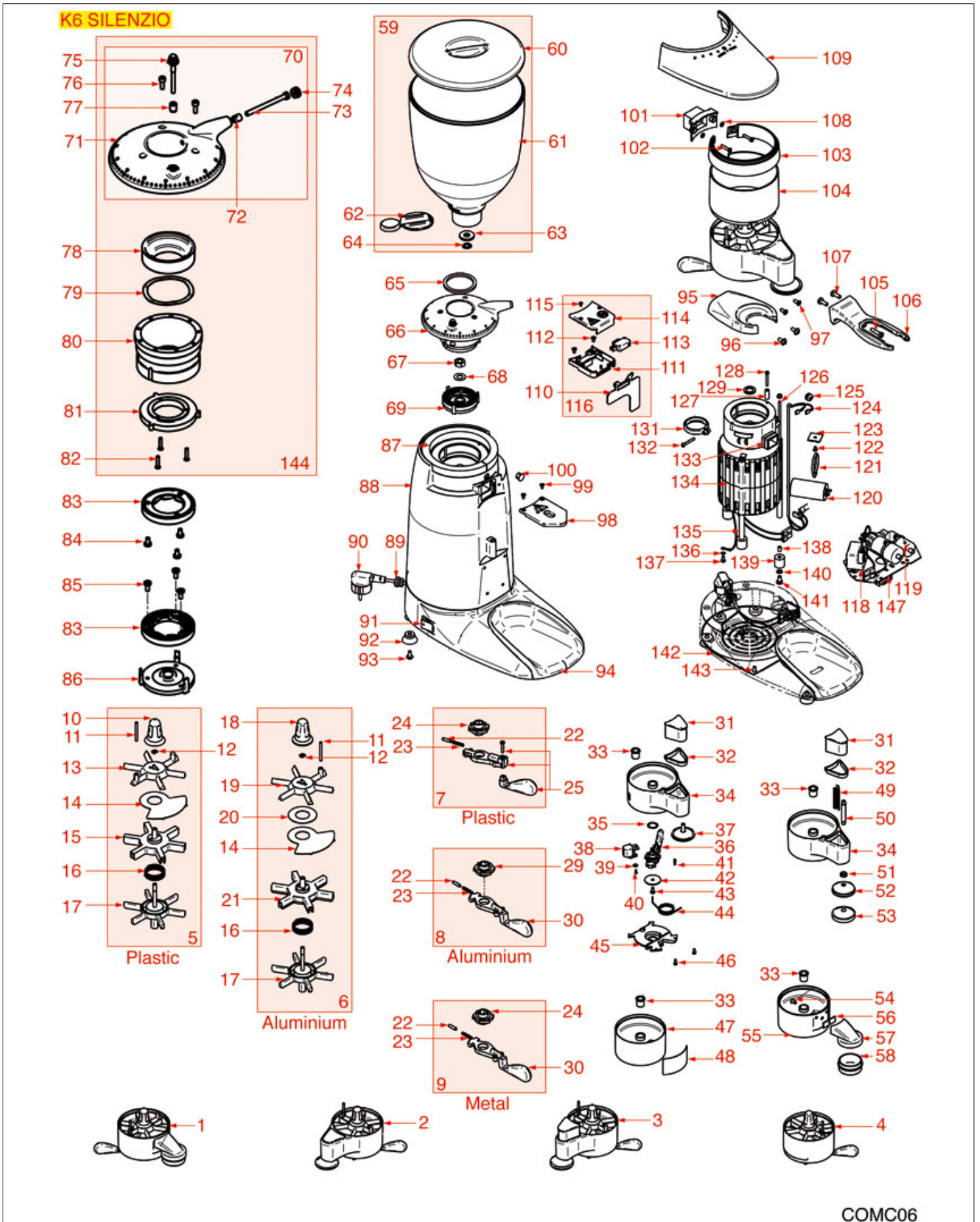
COMPAK



| Position | LF code no. | Description |
|----------|-------------|---|
| 5 | 1343001 | PLASTIC STAR ASSEMBLY |
| 6 | 1343002 | ALUMINIUM STAR ASSEMBLY |
| 10 | 1241087 | PLASTIC ADJUSTMENT KNOB |
| 11 | 1090026 | DOSER SCRAPER \varnothing 4x42 mm |
| 13 | 1343069 | PLASTIC TOP STAR |
| 14 | 1343070 | DIVIDING SHEET |
| 15 | 1343071 | PLASTIC MIDDLE STAR |
| 16 | 1250210 | STAR SPRING \varnothing 38x35 mm |
| 17 | 1343072 | ALUMINUM BOTTOM STAR |
| 18 | 1241100 | ALUMINIUM ADJUSTMENT KNOB |
| 19 | 1343073 | ALUMINUM TOP STAR |
| 21 | 1343074 | ALUMINUM MIDDLE STAR |
| 22 | 1324602 | HANDLE SPINDLE |
| 23 | 1250207 | LEVER PIN SPRING \varnothing 4.5x24 mm |
| 24 | 1225031 | 6-TEETH PAWL |
| 25 | 1225032 | PLASTIC DOSER LEVER |
| 29 | 1225031 | 6-TEETH PAWL |
| 30 | 1225034 | METAL DOSER LEVER |
| 33 | 1252455 | BUSHING FOR DOSER |
| 35 | 1252457 | WAVE WASHER \varnothing 25.5 mm |
| 37 | 1439803 | COFFEE TAMPER LOWER CAP \varnothing 56 mm |
| 38 | 1252458 | COUNTER FOR COFFEE GRINDER |
| 41 | 1186953 | RUBBER PIECE |
| 42 | 1186955 | SHAFT WASHER \varnothing 40x5x2 mm |
| 44 | 1250198 | DOSER LEVER RETURN SPRING LEFTHAND |
| 44 | 1250208 | DOSER LEVER RETURN SPRING RIGHTHAND |
| 45 | 1090803 | DOSER BASE K6/K8 |
| 49 | 1250195 | COFFEE TAMPER SPRING \varnothing 15x85 mm |
| 53 | 1439805 | COFFEE TAMPER CAP \varnothing 52 mm |
| 56 | 1090814 | THREADED REINFORCEMENT |
| 57 | 1385516 | STANDARD COFFEE TAMPER |
| 58 | 1385516 | STANDARD COFFEE TAMPER |
| 58 | 1439802 | COFFEE TAMPER CAP \varnothing 52 mm |
| 59 | 1080506 | COMPLETE COFFEE HOPPER |
| 60 | 1252366 | COFFEE HOPPER LID |
| 61 | 1080095 | COFFEE HOPPER |
| 62 | 1080096 | COFFEE HOPPER CLOSING SHEET |
| 70 | 1252460 | ADJUSTMENT RING NUT |
| 82 | 1251504 | GRINDING BURRS COMPAK (PAIR) RIGHT |
| 84 | 1528001 | SCREW M4x10 UNI 6109 |
| 85 | 1251131 | GRINDING BURRS BOTTOM HOLDER |
| 95 | 3319294 | BLACK BIPOLAR SWITCH 16A 250V |
| 96 | 1313551 | SUCTION FOOT |
| 98 | 1260004 | COFFEE COLLECTION TRAY |
| 99 | 1162016 | FILTER HOLDER FORK |
| 104 | 1252461 | GASKET FOR COFFEE OUTLET OPENING |
| 106 | 1002511 | CHROMEPLATED DOSER RING |
| 106 | 1002821 | DOSER RING |
| 107 | 1090810 | DOSER CYLINDER |
| 108 | 1090029 | DOSER LID |
| 109 | 1090030 | DOSER FLAP |
| 112 | 1240059 | MICROSWITCH 21A 250V |
| 115 | 1252102 | FLAP WITH MICROSWITCH BOX |
| 123 | 1186954 | RETAINING GASKET |
| 130 | 3186343 | O-RING 02106 EPDM |
| 136 | 1090802 | FILTER HOLDER FORK |



GRINDER ASSY K6 SILENZIO-K6 SILENZIO T





COMPAK



| Position | LF code no. | Description |
|----------|-------------|---|
| 5 | 1343001 | PLASTIC STAR ASSEMBLY |
| 6 | 1343002 | ALUMINIUM STAR ASSEMBLY |
| 10 | 1241087 | PLASTIC ADJUSTMENT KNOB |
| 11 | 1090026 | DOSER SCRAPER \varnothing 4x42 mm |
| 13 | 1343069 | PLASTIC TOP STAR |
| 14 | 1343070 | DIVIDING SHEET |
| 15 | 1343071 | PLASTIC MIDDLE STAR |
| 16 | 1250210 | STAR SPRING \varnothing 38x35 mm |
| 17 | 1343072 | ALUMINUM BOTTOM STAR |
| 18 | 1241100 | ALUMINIUM ADJUSTMENT KNOB |
| 19 | 1343073 | ALUMINUM TOP STAR |
| 21 | 1343074 | ALUMINUM MIDDLE STAR |
| 22 | 1324602 | HANDLE SPINDLE |
| 23 | 1250207 | LEVER PIN SPRING \varnothing 4.5x24 mm |
| 24 | 1225031 | 6-TEETH PAWL |
| 25 | 1225032 | PLASTIC DOSER LEVER |
| 29 | 1225031 | 6-TEETH PAWL |
| 30 | 1225034 | METAL DOSER LEVER |
| 33 | 1252455 | BUSHING FOR DOSER |
| 35 | 1252457 | WAVE WASHER \varnothing 25.5 mm |
| 37 | 1439803 | COFFEE TAMPER LOWER CAP \varnothing 56 mm |
| 38 | 1252458 | COUNTER FOR COFFEE GRINDER |
| 41 | 1186953 | RUBBER PIECE |
| 42 | 1186955 | SHAFT WASHER \varnothing 40x5x2 mm |
| 44 | 1250198 | DOSER LEVER RETURN SPRING LEFTHAND |
| 44 | 1250208 | DOSER LEVER RETURN SPRING RIGHTHAND |
| 45 | 1090803 | DOSER BASE K6/K8 |
| 49 | 1250195 | COFFEE TAMPER SPRING \varnothing 15x85 mm |
| 53 | 1439805 | COFFEE TAMPER CAP \varnothing 52 mm |
| 56 | 1090814 | THREADED REINFORCEMENT |
| 57 | 1385516 | STANDARD COFFEE TAMPER |
| 58 | 1385516 | STANDARD COFFEE TAMPER |
| 58 | 1439802 | COFFEE TAMPER CAP \varnothing 52 mm |
| 59 | 1080506 | COMPLETE COFFEE HOPPER |
| 60 | 1252366 | COFFEE HOPPER LID |
| 61 | 1080095 | COFFEE HOPPER |
| 62 | 1080096 | COFFEE HOPPER CLOSING SHEET |
| 65 | 1186797 | SPONGE GASKET |
| 71 | 1252462 | ADJUSTMENT RING NUT |
| 83 | 1251504 | GRINDING BURRS COMPAK (PAIR) RIGHT |
| 85 | 1528001 | SCREW M4x10 UNI 6109 |
| 86 | 1251131 | GRINDING BURRS BOTTOM HOLDER |
| 87 | 1186737 | SPONGE GASKET |
| 91 | 3319294 | BLACK BIPOLAR SWITCH 16A 250V |
| 92 | 1313551 | SUCTION FOOT |
| 94 | 1260004 | COFFEE COLLECTION TRAY |
| 95 | 1162016 | FILTER HOLDER FORK |
| 101 | 1186738 | COFFEE OUTLET GASKET |
| 103 | 1002511 | CHROMEPLATED DOSER RING |
| 103 | 1002821 | DOSER RING |
| 104 | 1090810 | DOSER CYLINDER |
| 106 | 1090802 | FILTER HOLDER FORK |
| 109 | 1090029 | DOSER LID |
| 110 | 1090030 | DOSER FLAP |
| 113 | 1240059 | MICROSWITCH 21A 250V |
| 116 | 1252102 | FLAP WITH MICROSWITCH BOX |
| 129 | 1186954 | RETAINING GASKET |
| 133 | 3186343 | O-RING 02106 EPDM |



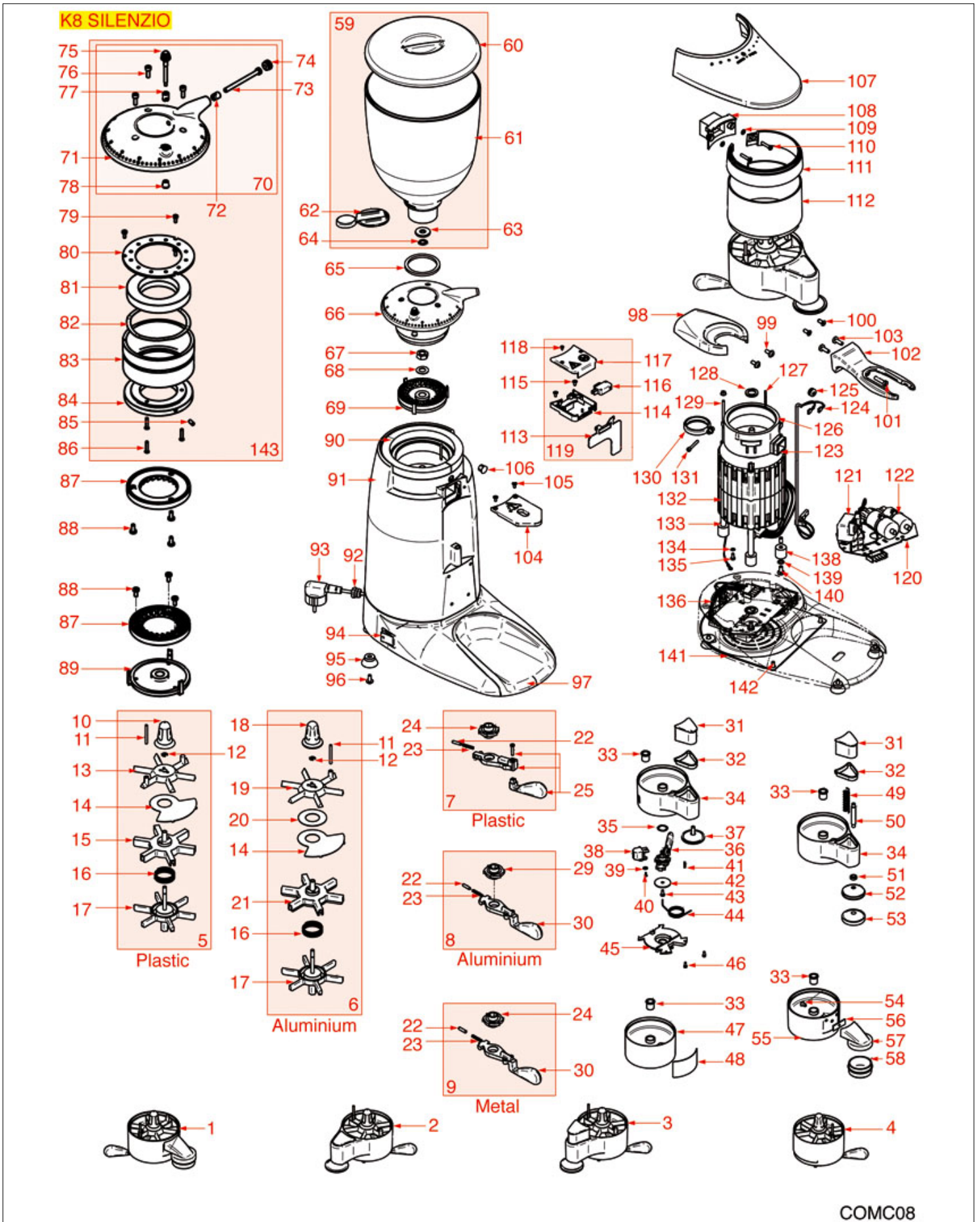
COMPAK



| Position | LF code no. | Description |
|----------|-------------|-------------------------------------|
| 5 | 1343001 | PLASTIC STAR ASSEMBLY |
| 6 | 1343002 | ALUMINIUM STAR ASSEMBLY |
| 10 | 1241087 | PLASTIC ADJUSTMENT KNOB |
| 11 | 1090026 | DOSER SCRAPER ø 4x42 mm |
| 13 | 1343069 | PLASTIC TOP STAR |
| 14 | 1343070 | DIVIDING SHEET |
| 15 | 1343071 | PLASTIC MIDDLE STAR |
| 16 | 1250210 | STAR SPRING ø 38x35 mm |
| 17 | 1343072 | ALUMINUM BOTTOM STAR |
| 18 | 1241100 | ALUMINIUM ADJUSTMENT KNOB |
| 19 | 1343073 | ALUMINUM TOP STAR |
| 21 | 1343074 | ALUMINUM MIDDLE STAR |
| 22 | 1324602 | HANDLE SPINDLE |
| 23 | 1250207 | LEVER PIN SPRING ø 4.5x24 mm |
| 24 | 1225031 | 6-TEETH PAWL |
| 25 | 1225032 | PLASTIC DOSER LEVER |
| 29 | 1225031 | 6-TEETH PAWL |
| 30 | 1225034 | METAL DOSER LEVER |
| 33 | 1252455 | BUSHING FOR DOSER |
| 35 | 1252457 | WAVE WASHER ø 25.5 mm |
| 37 | 1439803 | COFFEE TAMPER LOWER CAP ø 56 mm |
| 38 | 1252458 | COUNTER FOR COFFEE GRINDER |
| 41 | 1186953 | RUBBER PIECE |
| 42 | 1186955 | SHAFT WASHER ø 40x5x2 mm |
| 44 | 1250198 | DOSER LEVER RETURN SPRING LEFTHAND |
| 44 | 1250208 | DOSER LEVER RETURN SPRING RIGHTHAND |
| 45 | 1090803 | DOSER BASE K6/K8 |
| 49 | 1250195 | COFFEE TAMPER SPRING ø 15x85 mm |
| 53 | 1439805 | COFFEE TAMPER CAP ø 52 mm |
| 56 | 1090814 | THREADED REINFORCEMENT |
| 57 | 1385516 | STANDARD COFFEE TAMPER |
| 58 | 1385516 | STANDARD COFFEE TAMPER |
| 58 | 1439802 | COFFEE TAMPER CAP ø 52 mm |
| 59 | 1080506 | COMPLETE COFFEE HOPPER |
| 60 | 1252366 | COFFEE HOPPER LID |
| 61 | 1080095 | COFFEE HOPPER |
| 62 | 1080096 | COFFEE HOPPER CLOSING SHEET |
| 70 | 1252462 | ADJUSTMENT RING NUT |
| 82 | 1251504 | GRINDING BURRS COMPAK (PAIR) RIGHT |
| 84 | 1528001 | SCREW M4x10 UNI 6109 |
| 85 | 1251131 | GRINDING BURRS BOTTOM HOLDER |
| 95 | 1313551 | SUCTION FOOT |
| 97 | 1260004 | COFFEE COLLECTION TRAY |
| 101 | 1090030 | DOSER FLAP |
| 104 | 1240059 | MICROSWITCH 21A 250V |
| 107 | 1252102 | FLAP WITH MICROSWITCH BOX |
| 111 | 1252461 | GASKET FOR COFFEE OUTLET OPENING |
| 113 | 1002511 | CHROMEPLATED DOSER RING |
| 114 | 1090810 | DOSER CYLINDER |
| 126 | 1186954 | RETAINING GASKET |
| 130 | 3186343 | O-RING 02106 EPDM |



GRINDER ASSY K8 SILENZIO-K8 SILENZIO T



COMC08

Positions without LF code no.: upon request



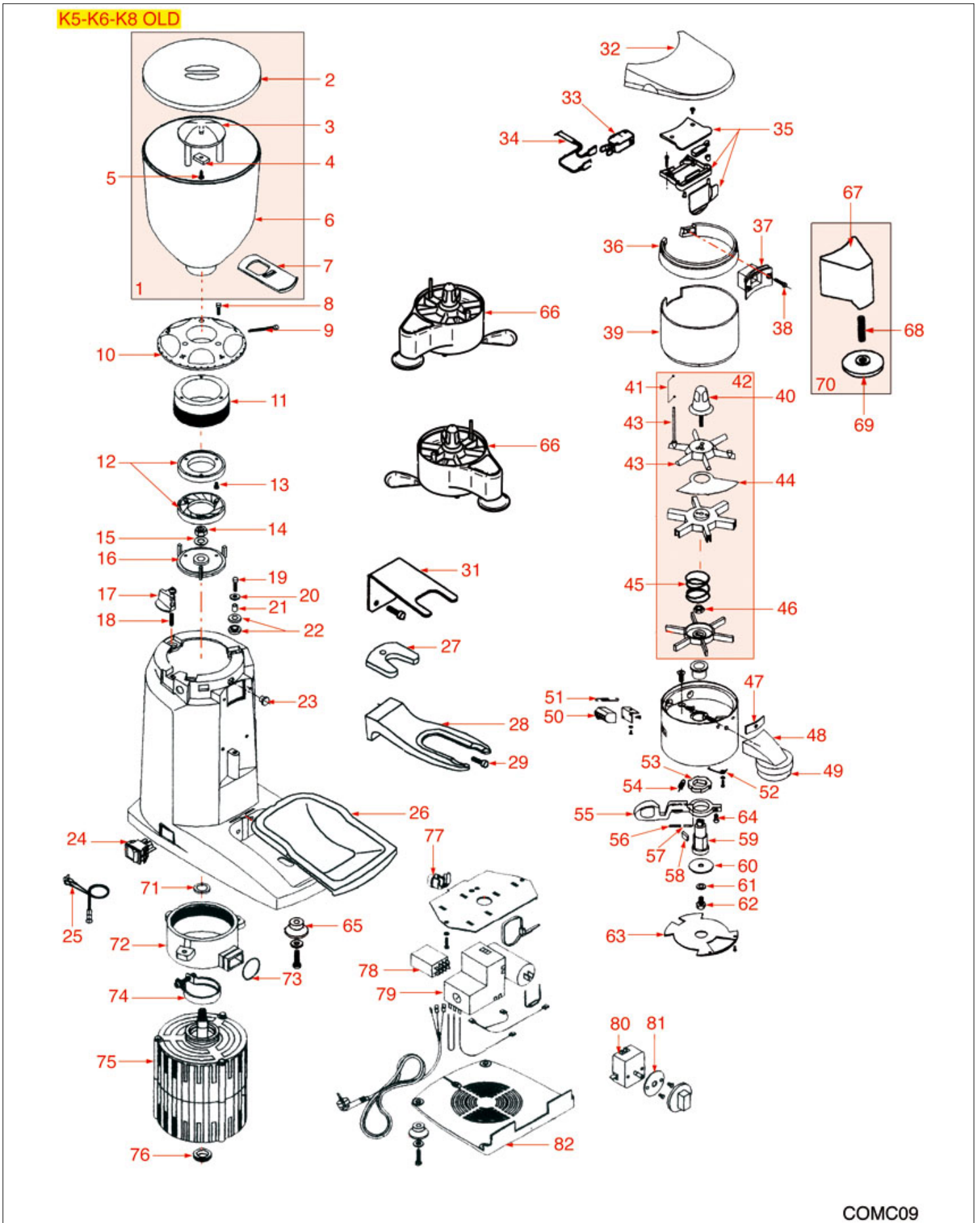
COMPAK



| Position | LF code no. | Description |
|----------|-------------|---|
| 5 | 1343001 | PLASTIC STAR ASSEMBLY |
| 6 | 1343002 | ALUMINIUM STAR ASSEMBLY |
| 10 | 1241087 | PLASTIC ADJUSTMENT KNOB |
| 11 | 1090026 | DOSER SCRAPER \varnothing 4x42 mm |
| 13 | 1343069 | PLASTIC TOP STAR |
| 14 | 1343070 | DIVIDING SHEET |
| 15 | 1343071 | PLASTIC MIDDLE STAR |
| 16 | 1250210 | STAR SPRING \varnothing 38x35 mm |
| 17 | 1343072 | ALUMINUM BOTTOM STAR |
| 18 | 1241100 | ALUMINIUM ADJUSTMENT KNOB |
| 19 | 1343073 | ALUMINUM TOP STAR |
| 21 | 1343074 | ALUMINUM MIDDLE STAR |
| 22 | 1324602 | HANDLE SPINDLE |
| 23 | 1250207 | LEVER PIN SPRING \varnothing 4.5x24 mm |
| 24 | 1225031 | 6-TEETH PAWL |
| 25 | 1225032 | PLASTIC DOSER LEVER |
| 29 | 1225031 | 6-TEETH PAWL |
| 30 | 1225034 | METAL DOSER LEVER |
| 33 | 1252455 | BUSHING FOR DOSER |
| 35 | 1252457 | WAVE WASHER \varnothing 25.5 mm |
| 37 | 1439803 | COFFEE TAMPER LOWER CAP \varnothing 56 mm |
| 38 | 1252458 | COUNTER FOR COFFEE GRINDER |
| 41 | 1186953 | RUBBER PIECE |
| 42 | 1186955 | SHAFT WASHER \varnothing 40x5x2 mm |
| 44 | 1250198 | DOSER LEVER RETURN SPRING LEFTHAND |
| 44 | 1250208 | DOSER LEVER RETURN SPRING RIGHTHAND |
| 45 | 1090803 | DOSER BASE K6/K8 |
| 49 | 1250195 | COFFEE TAMPER SPRING \varnothing 15x85 mm |
| 53 | 1439805 | COFFEE TAMPER CAP \varnothing 52 mm |
| 56 | 1090814 | THREADED REINFORCEMENT |
| 57 | 1385516 | STANDARD COFFEE TAMPER |
| 58 | 1385516 | STANDARD COFFEE TAMPER |
| 58 | 1439802 | COFFEE TAMPER CAP \varnothing 52 mm |
| 59 | 1080506 | COMPLETE COFFEE HOPPER |
| 60 | 1252366 | COFFEE HOPPER LID |
| 61 | 1080095 | COFFEE HOPPER |
| 62 | 1080096 | COFFEE HOPPER CLOSING SHEET |
| 65 | 1186797 | SPONGE GASKET |
| 71 | 1252462 | ADJUSTMENT RING NUT |
| 87 | 1251140 | GRINDING BURRS COMPAK (PAIR) RIGHT |
| 88 | 1528001 | SCREW M4x10 UNI 6109 |
| 89 | 1251141 | GRINDING BURRS BOTTOM HOLDER |
| 90 | 1186737 | SPONGE GASKET |
| 94 | 3319294 | BLACK BIPOLAR SWITCH 16A 250V |
| 95 | 1313551 | SUCTION FOOT |
| 97 | 1260004 | COFFEE COLLECTION TRAY |
| 98 | 1162016 | FILTER HOLDER FORK |
| 102 | 1090802 | FILTER HOLDER FORK |
| 107 | 1090029 | DOSER LID |
| 108 | 1186738 | COFFEE OUTLET GASKET |
| 111 | 1002511 | CHROMEPLATED DOSER RING |
| 111 | 1002821 | DOSER RING |
| 112 | 1090810 | DOSER CYLINDER |
| 113 | 1090030 | DOSER FLAP |
| 116 | 1240059 | MICROSWITCH 21A 250V |
| 119 | 1252102 | FLAP WITH MICROSWITCH BOX |
| 123 | 3186343 | O-RING 02106 EPDM |
| 128 | 1186954 | RETAINING GASKET |



GRINDER ASSEMBLY K5-K6-K8 OLD





COMPAK



| Pos. | LF code no. | Description | Pos. | LF code no. | Description |
|------|-------------|---|------|-------------|---------------------------------------|
| 1 | 1080506 | COMPLETE COFFEE HOPPER | 70 | 1385501 | COFFEE TAMPER ASSEMBLY |
| 2 | 1252366 | COFFEE HOPPER LID | 71 | 1186954 | RETAINING GASKET |
| 7 | 1080098 | COFFEE HOPPER CLOSING SHEET | 72 | 1090801 | DOSER CONTAINER K6-K8 |
| 10 | 1350802 | DOSING ADJUSTMENT RING | 73 | 3186343 | O-RING 02106 EPDM |
| 11 | 1251608 | ADJUSTABLE BURRS HOLDER K-6 | 74 | 1168011 | STAINLESS STEEL CLAMP FOR FLANGE PUMP |
| 12 | 1251093 | GRINDING BURRS WEGA-COMPAK (PAIR) RIGHT | 78 | 3351007 | MINI RELAY 55.32 10A 240V 50/60Hz |
| 12 | 1251501 | GRINDING BURRS PAIR COMPAK RH | 79 | 3446561 | CONTACTOR LOVATO BF0910A |
| 12 | 1251504 | GRINDING BURRS COMPAK (PAIR) RIGHT | 80 | 3446151 | TIMER 5 MINUTES C20 |
| 13 | 1528623 | GRINDING BURRS SCREW M4x6 mm | | | |
| 16 | 1251604 | GRINDING BURRS BOTTOM HOLDER K-6 | | | |
| 16 | 1251606 | LOWER BURRS HOLDER K-5 | | | |
| 17 | 1324601 | HOPPER ADAPTER PIN | | | |
| 18 | 1250064 | SPRING \varnothing 5x22 mm | | | |
| 22 | 1186952 | SHOCK-ABSORBER GASKET | | | |
| 24 | 3319035 | ORANGE BIPOLAR SWITCH 16A 250V | | | |
| 24 | 3319294 | BLACK BIPOLAR SWITCH 16A 250V | | | |
| 24 | 3319934 | ORANGE BIPOLAR SWITCH 16A 250V | | | |
| 26 | 1527811 | COFFEE COLLECTION TRAY | | | |
| 27 | 1090809 | FORK PROTECTION | | | |
| 27 | 1090812 | FORK PROTECTION | | | |
| 28 | 1090802 | FILTER HOLDER FORK | | | |
| 31 | 1162017 | FILTER HOLDER FORK | | | |
| 32 | 1439801 | DISPENSER LID | | | |
| 33 | 3240123 | MICROSWITCH 16A 250V | | | |
| 35 | 1252102 | FLAP WITH MICROSWITCH BOX | | | |
| 36 | 1002511 | CHROMEPLATED DOSER RING | | | |
| 36 | 1002821 | DOSER RING | | | |
| 37 | 1252461 | GASKET FOR COFFEE OUTLET OPENING | | | |
| 39 | 1090810 | DOSER CYLINDER | | | |
| 40 | 1350801 | DOSER ADJUSTMENT KNOB | | | |
| 41 | 1250197 | SCRAPER SPRING | | | |
| 42 | 1343001 | PLASTIC STAR ASSEMBLY | | | |
| 42 | 1343002 | ALUMINIUM STAR ASSEMBLY | | | |
| 44 | 1090808 | DOSER SHEET | | | |
| 45 | 1250951 | STAR SPRING | | | |
| 46 | 1528621 | NUT M8x1 | | | |
| 47 | 1090814 | THREADED REINFORCEMENT | | | |
| 48 | 1385516 | STANDARD COFFEE TAMPER | | | |
| 49 | 1385516 | STANDARD COFFEE TAMPER | | | |
| 49 | 1439802 | COFFEE TAMPER CAP \varnothing 52 mm | | | |
| 50 | 1252458 | COUNTER FOR COFFEE GRINDER | | | |
| 51 | 1250196 | STROKE COUNTER SPRING \varnothing 4.5 mm | | | |
| 52 | 1250954 | DOSER LEVER RETURN SPRING | | | |
| 52 | 1250956 | DOSER LEVER RETURN SPRING | | | |
| 53 | 1090807 | DOSER PAWL | | | |
| 54 | 1250952 | DOSER LEVER RETURN SPRING | | | |
| 54 | 1250953 | DOSER LEVER RETURN SPRING | | | |
| 55 | 1242801 | DOSER LEVER ABS | | | |
| 55 | 1242802 | DOSER LEVER RIGHTHAND | | | |
| 55 | 1242803 | DOSER LEVER LEFTHAND | | | |
| 56 | 1250955 | PIN SPRING | | | |
| 57 | 1324602 | HANDLE SPINDLE | | | |
| 58 | 1186953 | RUBBER PIECE | | | |
| 59 | 1324603 | RIGHTHAND ROD FOR DOSER S2 | | | |
| 60 | 1186955 | SHAFT WASHER \varnothing 40x5x2 mm | | | |
| 62 | 1528622 | S/S SCREW T.E. M8x16 UNI 5739 DIN 24017 | | | |
| 63 | 1090803 | DOSER BASE K6/K8 | | | |
| 63 | 1090811 | DOSER BASE K5 | | | |
| 64 | 1252463 | DOSER LEVER CAP | | | |
| 65 | 1313551 | SUCTION FOOT | | | |
| 66 | 1090506 | CHROMIUM-PLATED COFFEE DOSER LH | | | |
| 66 | 1090507 | CHROMIUM-PLATED COFFEE DOSER RH | | | |
| 67 | 1385521 | COFFEE TAMPER BODY ALUMINIUM | | | |
| 68 | 1324606 | TAMPER PIN | | | |
| 69 | 1439803 | COFFEE TAMPER LOWER CAP \varnothing 56 mm | | | |
| 69 | 1439805 | COFFEE TAMPER CAP \varnothing 52 mm | | | |



COMPAK



| Position | LF code no. | Description |
|----------|-------------|---|
| 5 | 1343001 | PLASTIC STAR ASSEMBLY |
| 6 | 1343002 | ALUMINIUM STAR ASSEMBLY |
| 10 | 1241087 | PLASTIC ADJUSTMENT KNOB |
| 11 | 1090026 | DOSER SCRAPER \varnothing 4x42 mm |
| 13 | 1343069 | PLASTIC TOP STAR |
| 14 | 1343070 | DIVIDING SHEET |
| 15 | 1343071 | PLASTIC MIDDLE STAR |
| 16 | 1250210 | STAR SPRING \varnothing 38x35 mm |
| 17 | 1343072 | ALUMINUM BOTTOM STAR |
| 18 | 1241100 | ALUMINIUM ADJUSTMENT KNOB |
| 19 | 1343073 | ALUMINUM TOP STAR |
| 21 | 1343074 | ALUMINUM MIDDLE STAR |
| 22 | 1324602 | HANDLE SPINDLE |
| 23 | 1250207 | LEVER PIN SPRING \varnothing 4.5x24 mm |
| 24 | 1225031 | 6-TEETH PAWL |
| 25 | 1225032 | PLASTIC DOSER LEVER |
| 29 | 1225031 | 6-TEETH PAWL |
| 30 | 1225034 | METAL DOSER LEVER |
| 33 | 1252455 | BUSHING FOR DOSER |
| 35 | 1252457 | WAVE WASHER \varnothing 25.5 mm |
| 37 | 1439803 | COFFEE TAMPER LOWER CAP \varnothing 56 mm |
| 38 | 1252458 | COUNTER FOR COFFEE GRINDER |
| 41 | 1186953 | RUBBER PIECE |
| 42 | 1186955 | SHAFT WASHER \varnothing 40x5x2 mm |
| 44 | 1250198 | DOSER LEVER RETURN SPRING LEFTHAND |
| 44 | 1250208 | DOSER LEVER RETURN SPRING RIGHTHAND |
| 45 | 1090803 | DOSER BASE K6/K8 |
| 49 | 1250195 | COFFEE TAMPER SPRING \varnothing 15x85 mm |
| 53 | 1439805 | COFFEE TAMPER CAP \varnothing 52 mm |
| 56 | 1090814 | THREADED REINFORCEMENT |
| 57 | 1385516 | STANDARD COFFEE TAMPER |
| 58 | 1385516 | STANDARD COFFEE TAMPER |
| 58 | 1439802 | COFFEE TAMPER CAP \varnothing 52 mm |
| 59 | 1080506 | COMPLETE COFFEE HOPPER |
| 60 | 1252366 | COFFEE HOPPER LID |
| 61 | 1080095 | COFFEE HOPPER |
| 62 | 1080096 | COFFEE HOPPER CLOSING SHEET |
| 81 | 1251142 | CONICAL GRINDING BURRS COMPAK (PAIR) RH |
| 82 | 1528051 | S/STEEL SCREW T.C.C.E.I. M4x20 UNI 5931 |
| 83 | 1251149 | GRINDING BURRS BOTTOM HOLDER |
| 92 | 1313551 | SUCTION FOOT |
| 94 | 1260004 | COFFEE COLLECTION TRAY |
| 98 | 1090030 | DOSER FLAP |
| 101 | 1240059 | MICROSWITCH 21A 250V |
| 104 | 1252102 | FLAP WITH MICROSWITCH BOX |
| 107 | 1252461 | GASKET FOR COFFEE OUTLET OPENING |
| 109 | 1002511 | CHROMEPLATED DOSER RING |
| 110 | 1090810 | DOSER CYLINDER |
| 116 | 3186343 | O-RING 02106 EPDM |



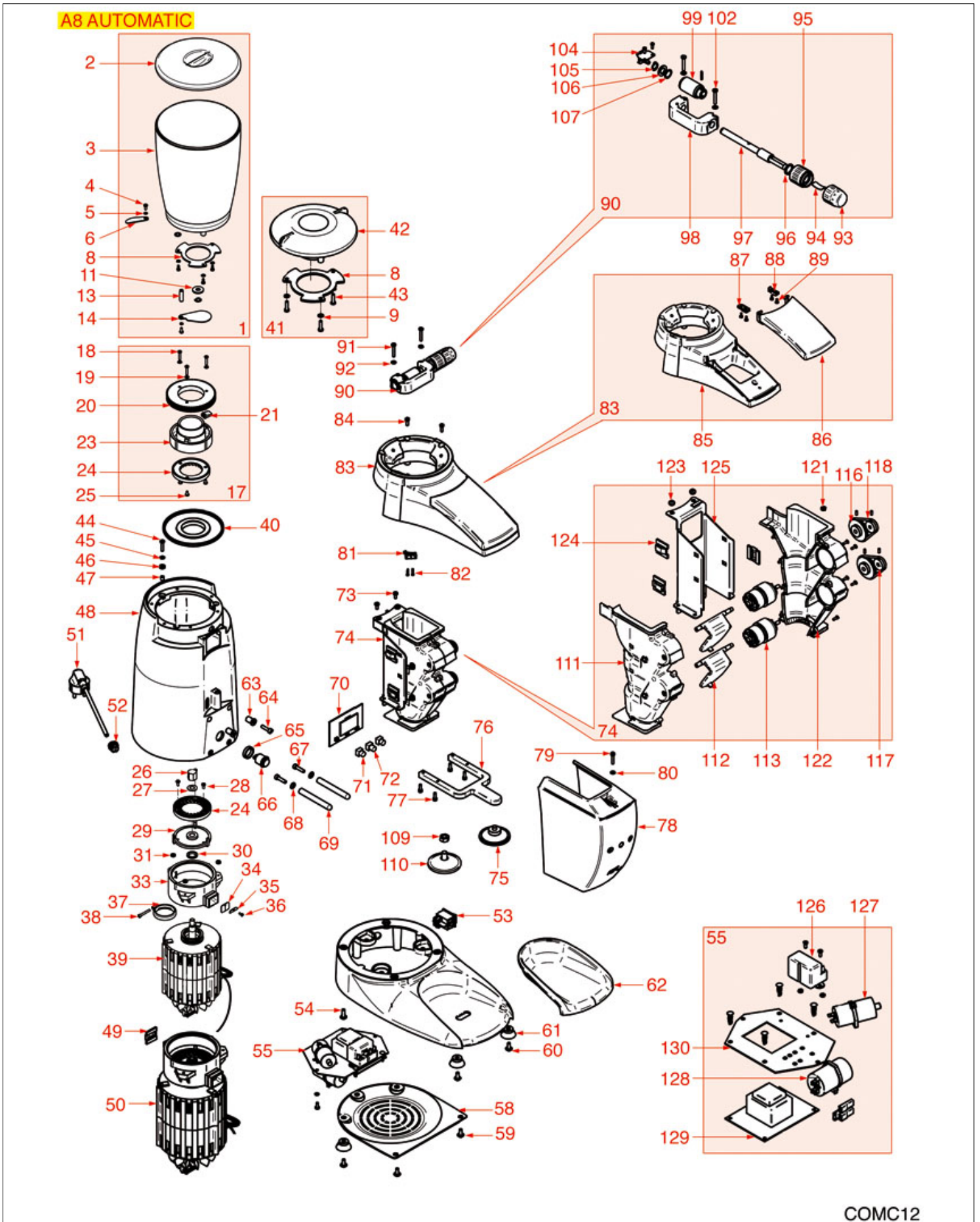
COMPAK



| Position | LF code no. | Description |
|----------|-------------|---|
| 5 | 1343001 | PLASTIC STAR ASSEMBLY |
| 6 | 1343002 | ALUMINIUM STAR ASSEMBLY |
| 10 | 1241087 | PLASTIC ADJUSTMENT KNOB |
| 11 | 1090026 | DOSER SCRAPER \varnothing 4x42 mm |
| 13 | 1343069 | PLASTIC TOP STAR |
| 14 | 1343070 | DIVIDING SHEET |
| 15 | 1343071 | PLASTIC MIDDLE STAR |
| 16 | 1250210 | STAR SPRING \varnothing 38x35 mm |
| 17 | 1343072 | ALUMINUM BOTTOM STAR |
| 18 | 1241100 | ALUMINIUM ADJUSTMENT KNOB |
| 19 | 1343073 | ALUMINUM TOP STAR |
| 21 | 1343074 | ALUMINUM MIDDLE STAR |
| 22 | 1324602 | HANDLE SPINDLE |
| 23 | 1250207 | LEVER PIN SPRING \varnothing 4.5x24 mm |
| 24 | 1225031 | 6-TEETH PAWL |
| 25 | 1225032 | PLASTIC DOSER LEVER |
| 29 | 1225031 | 6-TEETH PAWL |
| 30 | 1225034 | METAL DOSER LEVER |
| 33 | 1252455 | BUSHING FOR DOSER |
| 35 | 1252457 | WAVE WASHER \varnothing 25.5 mm |
| 37 | 1439803 | COFFEE TAMPER LOWER CAP \varnothing 56 mm |
| 38 | 1252458 | COUNTER FOR COFFEE GRINDER |
| 41 | 1186953 | RUBBER PIECE |
| 42 | 1186955 | SHAFT WASHER \varnothing 40x5x2 mm |
| 44 | 1250198 | DOSER LEVER RETURN SPRING LEFTHAND |
| 44 | 1250208 | DOSER LEVER RETURN SPRING RIGHTHAND |
| 45 | 1090803 | DOSER BASE K6/K8 |
| 49 | 1250195 | COFFEE TAMPER SPRING \varnothing 15x85 mm |
| 53 | 1439805 | COFFEE TAMPER CAP \varnothing 52 mm |
| 56 | 1090814 | THREADED REINFORCEMENT |
| 57 | 1385516 | STANDARD COFFEE TAMPER |
| 58 | 1385516 | STANDARD COFFEE TAMPER |
| 58 | 1439802 | COFFEE TAMPER CAP \varnothing 52 mm |
| 60 | 1252366 | COFFEE HOPPER LID |
| 61 | 1080095 | COFFEE HOPPER |
| 62 | 1080096 | COFFEE HOPPER CLOSING SHEET |
| 81 | 1251142 | CONICAL GRINDING BURRS COMPAK (PAIR) RH |
| 82 | 1528051 | S/STEEL SCREW T.C.C.E.I. M4x20 UNI 5931 |
| 83 | 1251149 | GRINDING BURRS BOTTOM HOLDER |
| 92 | 1313551 | SUCTION FOOT |
| 94 | 1260004 | COFFEE COLLECTION TRAY |
| 101 | 1090029 | DOSER LID |
| 102 | 1252461 | GASKET FOR COFFEE OUTLET OPENING |
| 104 | 1002511 | CHROMEPLATED DOSER RING |
| 105 | 1090810 | DOSER CYLINDER |
| 108 | 1090802 | FILTER HOLDER FORK |
| 110 | 1090030 | DOSER FLAP |
| 114 | 1240059 | MICROSWITCH 21A 250V |
| 116 | 1252102 | FLAP WITH MICROSWITCH BOX |
| 121 | 3186343 | O-RING 02106 EPDM |



COFFEE GRINDER A8 AUTOMATIC





COMPAK

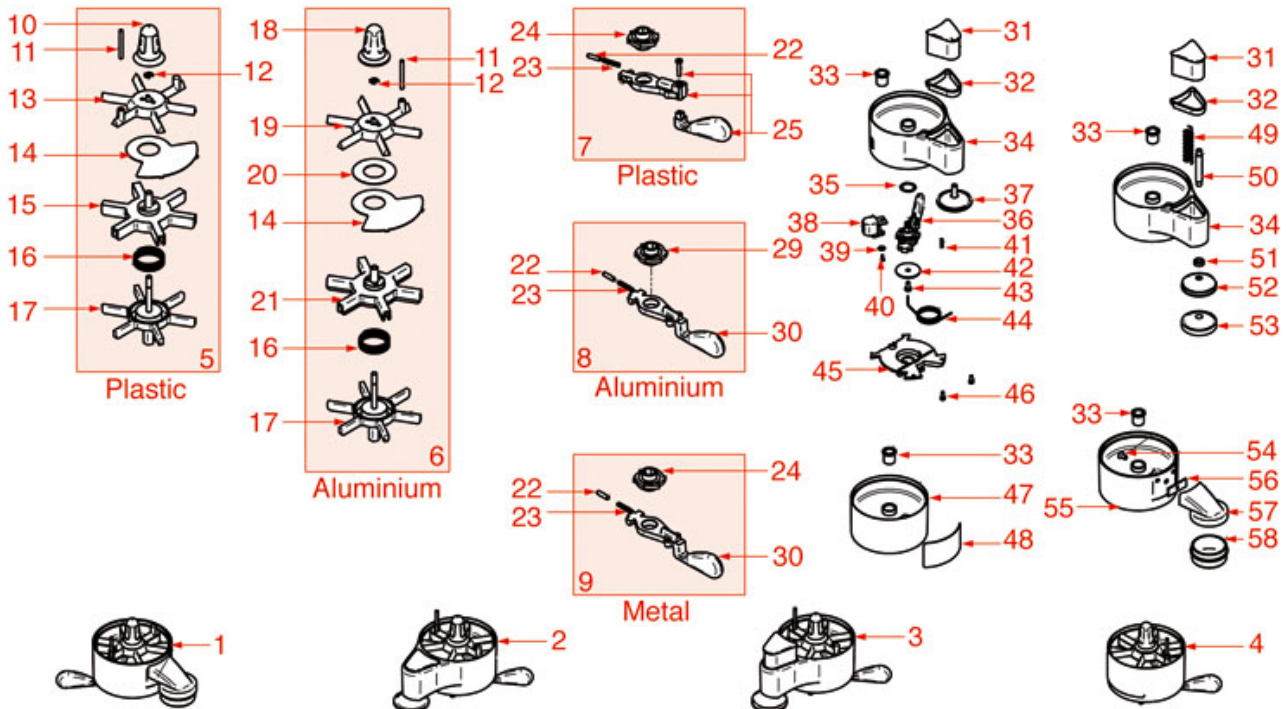
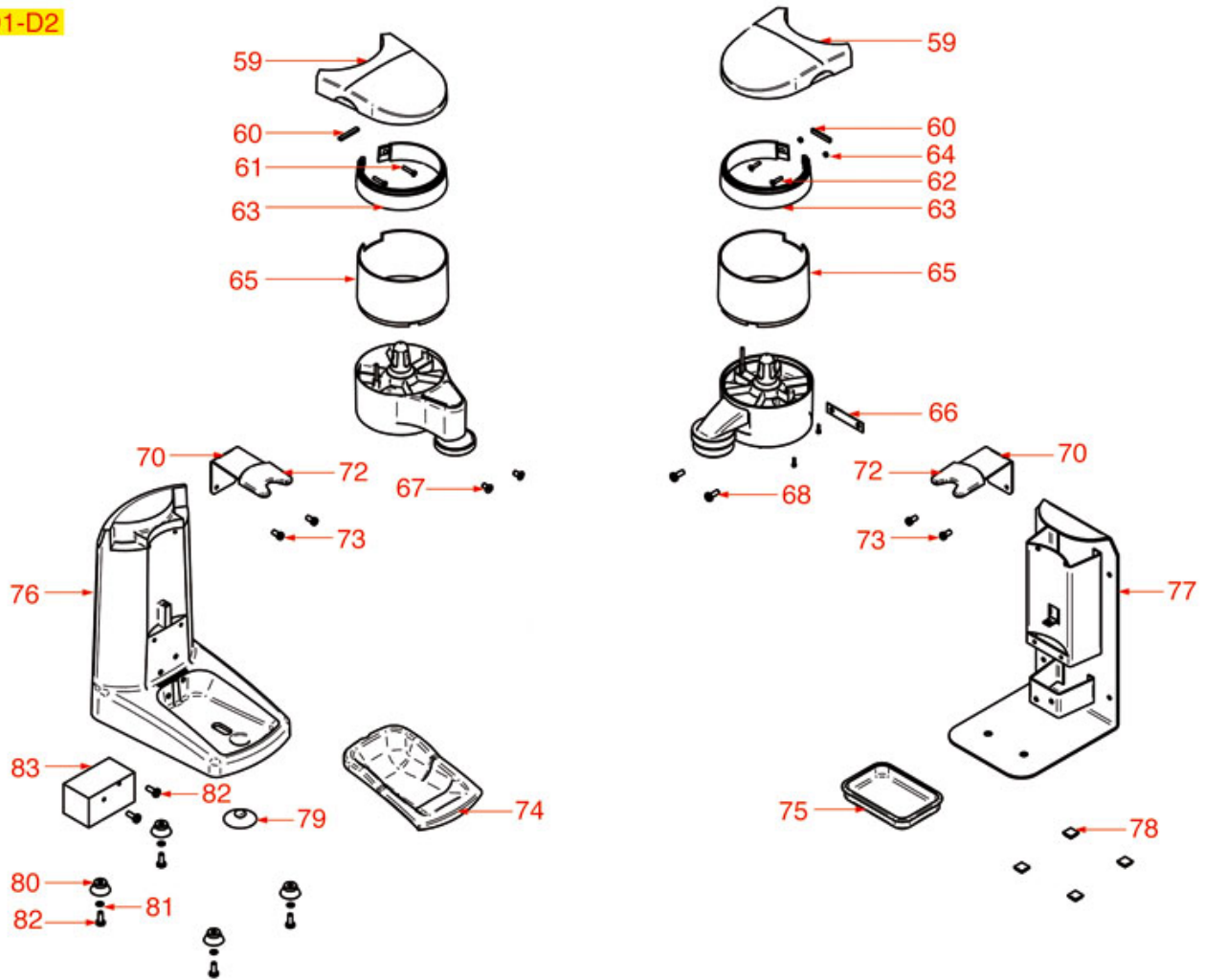


| Position | LF code no. | Description |
|----------|-------------|------------------------------------|
| 2 | 1252366 | COFFEE HOPPER LID |
| 4 | 1528001 | SCREW M4x10 UNI 6109 |
| 16 | 1528001 | SCREW M4x10 UNI 6109 |
| 24 | 1251140 | GRINDING BURRS COMPAK (PAIR) RIGHT |
| 28 | 1528001 | SCREW M4x10 UNI 6109 |
| 29 | 1251141 | GRINDING BURRS BOTTOM HOLDER |
| 30 | 1186954 | RETAINING GASKET |
| 53 | 3319294 | BLACK BIPOLAR SWITCH 16A 250V |
| 57 | 1528001 | SCREW M4x10 UNI 6109 |
| 61 | 1313551 | SUCTION FOOT |
| 62 | 1260004 | COFFEE COLLECTION TRAY |



DOSING COMPARTMENT D1-D2

D1-D2





COMPAK



| Position | LF code no. | Description |
|----------|-------------|---|
| 5 | 1343001 | PLASTIC STAR ASSEMBLY |
| 6 | 1343002 | ALUMINIUM STAR ASSEMBLY |
| 10 | 1241087 | PLASTIC ADJUSTMENT KNOB |
| 11 | 1090026 | DOSER SCRAPER \varnothing 4x42 mm |
| 13 | 1343069 | PLASTIC TOP STAR |
| 14 | 1343070 | DIVIDING SHEET |
| 15 | 1343071 | PLASTIC MIDDLE STAR |
| 16 | 1250210 | STAR SPRING \varnothing 38x35 mm |
| 17 | 1343072 | ALUMINUM BOTTOM STAR |
| 18 | 1241100 | ALUMINIUM ADJUSTMENT KNOB |
| 19 | 1343073 | ALUMINUM TOP STAR |
| 21 | 1343074 | ALUMINUM MIDDLE STAR |
| 22 | 1324602 | HANDLE SPINDLE |
| 23 | 1250207 | LEVER PIN SPRING \varnothing 4.5x24 mm |
| 24 | 1225031 | 6-TEETH PAWL |
| 25 | 1225032 | PLASTIC DOSER LEVER |
| 29 | 1225031 | 6-TEETH PAWL |
| 30 | 1225034 | METAL DOSER LEVER |
| 33 | 1252455 | BUSHING FOR DOSER |
| 35 | 1252457 | WAVE WASHER \varnothing 25.5 mm |
| 37 | 1439803 | COFFEE TAMPER LOWER CAP \varnothing 56 mm |
| 38 | 1252458 | COUNTER FOR COFFEE GRINDER |
| 41 | 1186953 | RUBBER PIECE |
| 42 | 1186955 | SHAFT WASHER \varnothing 40x5x2 mm |
| 44 | 1250198 | DOSER LEVER RETURN SPRING LEFTHAND |
| 44 | 1250208 | DOSER LEVER RETURN SPRING RIGHTHAND |
| 45 | 1090803 | DOSER BASE K6/K8 |
| 49 | 1250195 | COFFEE TAMPER SPRING \varnothing 15x85 mm |
| 53 | 1439805 | COFFEE TAMPER CAP \varnothing 52 mm |
| 56 | 1090814 | THREADED REINFORCEMENT |
| 57 | 1385516 | STANDARD COFFEE TAMPER |
| 58 | 1385516 | STANDARD COFFEE TAMPER |
| 58 | 1439802 | COFFEE TAMPER CAP \varnothing 52 mm |
| 59 | 1439801 | DISPENSER LID |
| 63 | 1002821 | DOSER RING |
| 65 | 1090810 | DOSER CYLINDER |
| 70 | 1162017 | FILTER HOLDER FORK |
| 72 | 1090809 | FORK PROTECTION |
| 72 | 1090812 | FORK PROTECTION |
| 74 | 1527811 | COFFEE COLLECTION TRAY |
| 79 | 1313551 | SUCTION FOOT |



Suitable for:

COMPAK



Suitable for:

Adjustment rings for coffee grinder

1252459 ADJUSTMENT RING NUT
for Coffee grinder (COMPAK) K3PUSH - K3SHOP
K3TOUCH
for Grinder-dispenser (COMPAK) K3 - K3ELITE



COMPAK K.2064

1252460 ADJUSTMENT RING NUT
for Grinder-dispenser (COMPAK) K5 - K6
K6TELESCOPIC



COMPAK K.1107

1252462 ADJUSTMENT RING NUT
for Grinder-dispenser (COMPAK)
K6BARISTAPROFESSIONAL - K6SILENZIO
K6SILENZIOT - K8SILENZIO - K8SILENZIOT



COMPAK K.1108

1350802 DOSING ADJUSTMENT RING
for Grinder-dispenser (ASTORIA CMA) K6
for Grinder-dispenser (COMPAK) K5OLD - K6OLD
K8OLD
for Grinder-dispenser (MARCFI-ANCAS) MD60 - MD70D
for Grinder-dispenser (WEGA) K6



COMPAK K...7

Capacitors

3068016 CAPACITOR μF 10 450V 50/60Hz
operating temperature $-25+85^{\circ}\text{C}$
in compliance with EEC 93/68 and 92/31 regulations



COMPAK K..210

3068010 CAPACITOR μF 6.3 450V 50/60Hz
operating temperature $-25+85^{\circ}\text{C}$
in compliance with EEC 93/68 and EEC 92/31 regulat



COMPAK K..409

Clamps

1168011 STAINLESS STEEL CLAMP FOR FLANGE PUMP



COMPAK



Containers for coffee

1080094 COFFEE HOPPER
for Grinder-dispenser (COMPAK) K3



COMPAK K.2028

1080095 COFFEE HOPPER
for Grinder-dispenser (COMPAK) K10 - K5 - K6 - K8



COMPAK K...3

1080096 COFFEE HOPPER CLOSING SHEET



COMPAK K..827

1080098 COFFEE HOPPER CLOSING SHEET



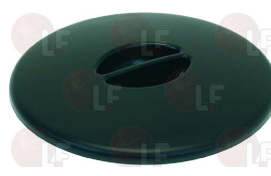
COMPAK K...5

1252366 COFFEE HOPPER LID
for Coffee grinder (COMPAK) A8
for Grinder-dispenser (COMPAK) K10 - K5 - K6 - K8



COMPAK K...4

1080097 COFFEE HOPPER LID ø 163 mm
for Grinder-dispenser (COMPAK) K3



COMPAK K.2027

1080506 COMPLETE COFFEE HOPPER
for Grinder-dispenser (COMPAK) K10 - K5 - K6 - K8



COMPAK K..286

COMPAK K01358

Counters

1252458 COUNTER FOR COFFEE GRINDER



COMPAK K...56

COMPAK K..678



Suitable for:

COMPAK



Suitable for:

Dosers for coffee

1252455 BUSHING FOR DOSER
internal \varnothing 14 mm - height 20 mm



COMPAK K.1091

1002511 CHROMEPLATED DOSER RING
for Grinder-dispenser (COMPAK) K10 - K3 - K5 - K6
K8



COMPAK K.221

1090506 CHROMIUM-PLATED COFFEE DOSER LH



COMPAK K..31

COMPAK K..128

COMPAK K..163

1090507 CHROMIUM-PLATED COFFEE DOSER RH



COMPAK K..162

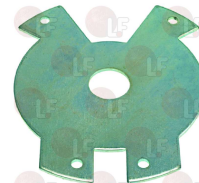
1439801 DISPENSER LID



COMPAK K..26

COMPAK K..306

1090811 DOSER BASE K5



COMPAK K..307

1090803 DOSER BASE K6/K8



COMPAK K..51

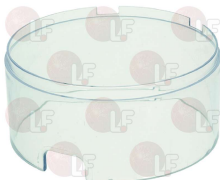
COMPAK K..504

1090810 DOSER CYLINDER
for Grinder-dispenser (COMPAK) D1 - D2 - K10 - K5
K6 - K8



COMPAK K..30

1090025 DOSER CYLINDER \varnothing 125x60 mm
for Grinder-dispenser (COMPAK) K3



COMPAK K.2052

1090027 DOSER LID
for Grinder-dispenser (COMPAK) K3



COMPAK K.2053



COMPAK



Suitable for:

1090029 DOSER LID
for Grinder-dispenser (COMPAK) K10 - K5 - K6



COMPAK K..804

Suitable for:

1002821 DOSER RING
for Grinder-dispenser (COMPAK) D1 - D2 - K3 - K5
K6 - K8



COMPAK K..242

1090026 DOSER SCRAPER \varnothing 4x42 mm



COMPAK K..2076

1324603 RIGHTHAND ROD FOR DOSER S2



COMPAK K..394

1090814 THREADED REINFORCEMENT



COMPAK K...64

Feet

1313551 SUCTION FOOT



COMPAK K..22

Forks for portafilter coffee grinder

1090802 FILTER HOLDER FORK
for Grinder-dispenser (COMPAK) K10 - K5 - K6 - K8



COMPAK K...15

1162016 FILTER HOLDER FORK
for Grinder-dispenser (COMPAK) K3 - K5 - K6 - K8



COMPAK K..815



Suitable for:

COMPAK



1162017 FILTER HOLDER FORK
for Grinder-dispenser (COMPAK) D1 - D2



COMPAK K..352

Suitable for:

1090809 FORK PROTECTION
for Grinder-dispenser (COMPAK) D1 - D2



COMPAK K..460

1090812 FORK PROTECTION
for Grinder-dispenser (COMPAK) D1 - D2



COMPAK K..353

Gaskets and seals

1186738 COFFEE OUTLET GASKET



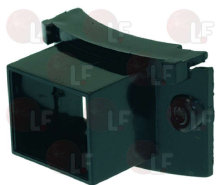
COMPAK K..635

1186740 COFFEE OUTLET GASKET



COMPAK K..2082

1252461 GASKET FOR COFFEE OUTLET OPENING



COMPAK K...8

3186343 O-RING 02106 EPDM



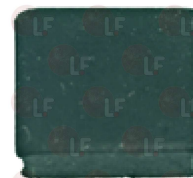
COMPAK K..103

1186954 RETAINING GASKET



COMPAK K..101

1186953 RUBBER PIECE



COMPAK K...48

1186955 SHAFT WASHER \varnothing 40x5x2 mm



COMPAK K...55

COMPAK K..653

1186952 SHOCK-ABSORBER GASKET



COMPAK K...19

Suitable for:

1186737 SPONGE GASKET
cross-section 15x14 mm - length 370 mm



COMPAK K..702

Suitable for:

1186797 SPONGE GASKET



COMPAK K..570

Grinders

1251142 CONICAL GRINDING BURRS COMPAK (PAIR) RH
external \varnothing 68/49 mm - internal \varnothing 41/13 mm
thickness 25 mm - 4 mounting holes
for Grinder-dispenser (COMPAK) K10



COMPAK K.3068

1251137 GRINDING BURRS COMPAK (PAIR) RH
external \varnothing 54 mm - internal \varnothing 32 mm
thickness 8.5 mm - 3 mounting holes
for Grinder-dispenser (COMPAK) K3



COMPAK K.2054

1251138 GRINDING BURRS COMPAK (PAIR) RH
external \varnothing 58 mm - internal \varnothing 33 mm
thickness 8.5 mm - 3 mounting holes
for Grinder-dispenser (COMPAK) K3



COMPAK K.2058

1251503 GRINDING BURRS COMPAK (PAIR) RH
 \varnothing internal 43 mm - \varnothing external 75 mm
thickness 10.5 mm - 3 mounting holes
for Grinder-dispenser (COMPAK) K7



COMPAK K..98

1251140 GRINDING BURRS COMPAK (PAIR) RIGHT
external \varnothing 82.5 mm - internal \varnothing 49 mm
thickness 9.5 mm - 3 mounting holes
for Coffee grinder (COMPAK) A8
for Grinder-dispenser (COMPAK) K8



COMPAK K..812

1251504 GRINDING BURRS COMPAK (PAIR) RIGHT
external \varnothing 63.5 mm - internal \varnothing 38 mm
thickness 9 mm - 3 mounting holes
for Grinder-dispenser (COMPAK) K5 - K6



COMPAK K..99

1251501 GRINDING BURRS PAIR COMPAK RH
external \varnothing 60 mm - internal \varnothing 36 mm
thickness 8 mm - 3 fixing holes
for Grinder-dispenser (COMPAK) K5



COMPAK

1251092 GRINDING BURRS WEGA-COMPAK (PAIR) RIGHT
 \varnothing external 63 mm - \varnothing internal 38 mm
thickness 9 mm - 3 fixing holes



COMPAK



Suitable for:

COMPAK



Suitable for:

1251093 GRINDING BURRS WEGA-COMPAK (PAIR) RIGHT

ø external 80 mm - ø internal 41 mm
thickness 10 mm - 3 fixing holes
for Grinder-dispenser (COMPAK) K8



COMPAK K.247

Grinding burr holders

1251608 ADJUSTABLE BURRS HOLDER K-6



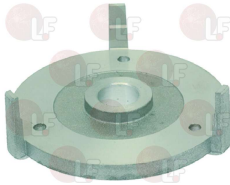
COMPAK K...11

1090801 DOSER CONTAINER K6-K8



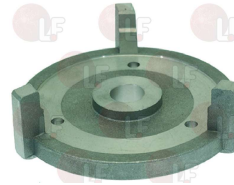
COMPAK K...9

1251131 GRINDING BURRS BOTTOM HOLDER for Grinder-dispenser (COMPAK) K5 - K6



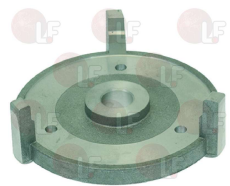
COMPAK K.1144

1251132 GRINDING BURRS BOTTOM HOLDER



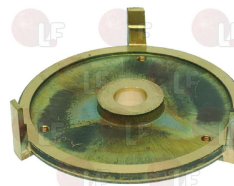
COMPAK K.2005

1251139 GRINDING BURRS BOTTOM HOLDER for Grinder-dispenser (COMPAK) K3



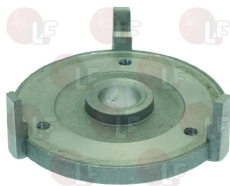
COMPAK K.2004

1251141 GRINDING BURRS BOTTOM HOLDER for Coffee grinder (COMPAK) A8 for Grinder-dispenser (COMPAK) K8



COMPAK K.3051

1251147 GRINDING BURRS BOTTOM HOLDER for Grinder-dispenser (COMPAK) K5



COMPAK K.1145

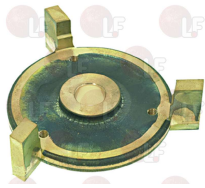
1251149 GRINDING BURRS BOTTOM HOLDER for Grinder-dispenser (COMPAK) K10



COMPAK K.3014

Suitable for:

1251604 GRINDING BURRS BOTTOM HOLDER K-6



COMPAK K...14

Suitable for:

1251136 GRINDING BURRS TOP HOLDER



COMPAK K.1210

1251148 GRINDING BURRS TOP HOLDER
for Grinder-dispenser (COMPAK) K3



COMPAK K.2170

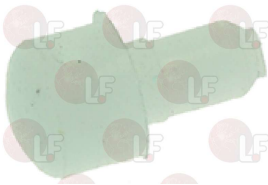
1251606 LOWER BURRS HOLDER K-5



COMPAK K..251

Ironmongery (screws,nuts,washers)

1252463 DOSER LEVER CAP



COMPAK K..119

1528623 GRINDING BURRS SCREW M4x6 mm



COMPAK K...72

1528621 NUT M8x1



COMPAK K...93

1528622 S/S SCREW T.E. M8x16 UNI 5739 DIN 24017



COMPAK K...89

1528051 S/STEEL SCREW T.C.E.I. M4x20 UNI 5931



COMPAK K...77

1528001 SCREW M4x10 UNI 6109



COMPAK K.2150

1252457 WAVE WASHER \varnothing 25.5 mm



COMPAK K.1093



Suitable for:

COMPAK



Suitable for:

Knobs

1241100 ALUMINIUM ADJUSTMENT KNOB



COMPAK K.1096

1350801 DOSER ADJUSTMENT KNOB



COMPAK K...44

1241087 PLASTIC ADJUSTMENT KNOB



COMPAK K.1094

Levers

1242801 DOSER LEVER ABS



COMPAK K..240

1242803 DOSER LEVER LEFTHAND



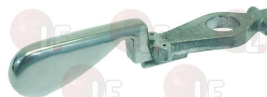
COMPAK K..161

1242802 DOSER LEVER RIGHTHAND



COMPAK K...47

1225034 METAL DOSER LEVER



COMPAK K..829

1225032 PLASTIC DOSER LEVER



COMPAK K..646

Microswitches

1090030 DOSER FLAP



COMPAK K..730

1240067 DOSER FLAP



COMPAK K.1235



Suitable for:

1252102 FLAP WITH MICROSWITCH BOX
complete with microswitch 21A 250V



COMPAK K..322

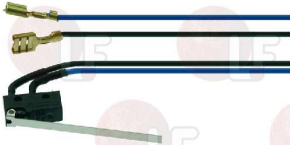
Suitable for:

1240068 MICRO BOX ASSY



COMPAK K.2732

1240069 MICROSWITCH 0.1A 250V



COMPAK K.2093

1240070 MICROSWITCH 10A 250V



COMPAK K.2505

3240123 MICROSWITCH 16A 250V



COMPAK K...18

1240059 MICROSWITCH 21A 250V



COMPAK K..733

Pawls for coffee grinder dosers

1090807 DOSER PAWL



COMPAK K...49

1225031 6-TEETH PAWL



COMPAK K..648

COMPAK K.648R

Pins

1324602 HANDLE SPINDLE



COMPAK K...90

1324601 HOPPER ADAPTER PIN



COMPAK K...20

1324606 TAMPER PIN



COMPAK K..368



Suitable for:

COMPAK

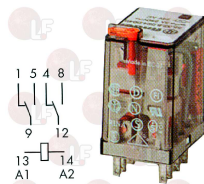


Suitable for:

Relays

3351007 MINI RELAY 55.32 10A 240V 50/60Hz

2 switching contacts
manual push-button
for PIZZA SHAPER PF45MTE

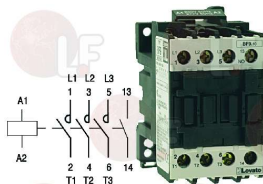


COMPAK K..131

Remote control switches

3446561 CONTACTOR LOVATO BF0910A

coil 9A 230V 50/60Hz 4.2Kw
3 normally open contacts
1 normally open auxiliary contact



COMPAK K..209

Springs

1250195 COFFEE TAMPER SPRING \varnothing 15x85 mm



COMPAK K..509

1250952 DOSER LEVER RETURN SPRING



COMPAK K..60

1250953 DOSER LEVER RETURN SPRING



COMPAK K..328

1250954 DOSER LEVER RETURN SPRING



COMPAK K..228

1250956 DOSER LEVER RETURN SPRING



COMPAK K..59

1250198 DOSER LEVER RETURN SPRING LEFTHAND



COMPAK K..619



COMPAK



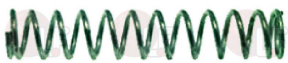
Suitable for:

1250208 DOSER LEVER RETURN SPRING RIGHTHAND



COMPAK K..618

1250955 PIN SPRING



COMPAK K...63

1250064 SPRING \varnothing 5x22 mm



COMPAK K...58

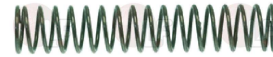
1250210 STAR SPRING \varnothing 38x35 mm



COMPAK K.1092

Suitable for:

1250207 LEVER PIN SPRING \varnothing 4.5x24 mm



COMPAK K..662

1250197 SCRAPER SPRING



COMPAK K..363

1250951 STAR SPRING



COMPAK K...62

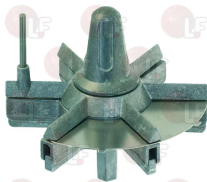
1250196 STROKE COUNTER SPRING \varnothing 4.5 mm



COMPAK K..169

Stars and spare parts

1343002 ALUMINIUM STAR ASSEMBLY

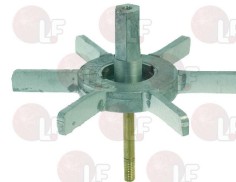


COMPAK K..466

COMPAK K..704

COMPAK K.1110

1343072 ALUMINIUM BOTTOM STAR



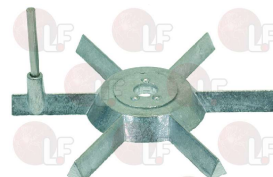
COMPAK K.1084

1343074 ALUMINIUM MIDDLE STAR



COMPAK K.1081

1343073 ALUMINIUM TOP STAR



COMPAK K.1082

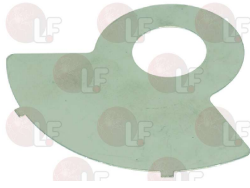


Suitable for:

COMPAK



1343070 DIVIDING SHEET



COMPAK K..719

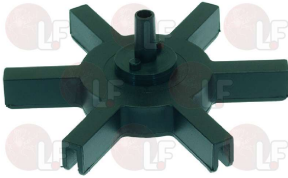
Suitable for:

1090808 DOSER SHEET



COMPAK K..57

1343071 PLASTIC MIDDLE STAR



COMPAK K.1085

1343001 PLASTIC STAR ASSEMBLY



COMPAK K..465

COMPAK K.1109

1343069 PLASTIC TOP STAR



COMPAK K.1086

Switches

1319232 BLACK BIPOLAR SWITCH 10A 250V
mounting hole 20 mm
silk-screen printing 0-1



COMPAK K.2014

1319233 BLACK BIPOLAR SWITCH 10A 250V
mounting hole 20 mm
with orange led indicator lamp
for Grinder-dispenser (COMPAK) K3ELITE



COMPAK K.2013

3319294 BLACK BIPOLAR SWITCH 16A 250V
with red led indicator light
mounting hole 30x22 mm



COMPAK K..69

1319231 BLACKTHREE-POLE SWITCH 10A 250V
mounting hole \varnothing 20 mm
silk-screen printing 1-0-2

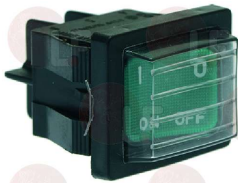


COMPAK K.2015



Suitable for:

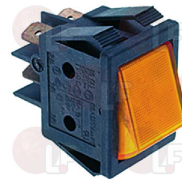
1319935 GREEN BIPOLAR SWITCH 15A 250V
with indicator lamp and push-button cover
"ON-OFF" simbol screenprinted
mounting hole 30x22 mm



COMPAK

Suitable for:

3319035 ORANGE BIPOLAR SWITCH 16A 250V
with indicator lamp
max temperature 120°C
mounting hole 22x30 mm



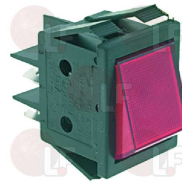
COMPAK

3319934 ORANGE BIPOLAR SWITCH 16A 250V
with indicator lamp
0-1 silk-screen printing
max temperature 120°C
mounting hole 22x30 mm



COMPAK

3319019 RED BIPOLAR SWITCH 16A 250V
with indicator lamp
max temperature 120°C
mounting hole 22x30 mm



COMPAK

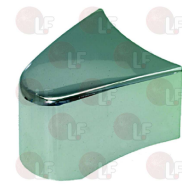
Tampers for coffee

1385501 COFFEE TAMPER ASSEMBLY



COMPAK K..168

1385521 COFFEE TAMPER BODY ALUMINIUM



COMPAK K..339

1439802 COFFEE TAMPER CAP ø 52 mm



COMPAK K..160

1439805 COFFEE TAMPER CAP ø 52 mm



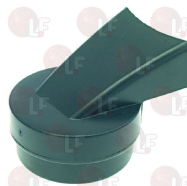
COMPAK K...38

1439803 COFFEE TAMPER LOWER CAP ø 56 mm



COMPAK K..166

1385516 STANDARD COFFEE TAMPER



COMPAK K...39

COMPAK K..40



Suitable for:

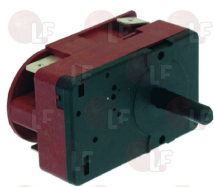
COMPAK



Suitable for:

Timers

3446151 TIMER 5 MINUTES C20
 manually set mechanical timer
 manually set cycle 5 minutes
 2 poles with contact capacity 16(3)A 250V
 max temperature 125°C
 D-shaped pin ø 6x4.6 mm
 for ARISTARCO TOASTER TA2-3
 for SANMARCO SM90-SM95
 for HUDSON MUSSEL CLEANER PULCO03BN-PULCO03BS
 PULCO08
 for SIRMAN POTATO PELER PP4EXPOCE-PP8EXPOCE
 PP15EXPOCE



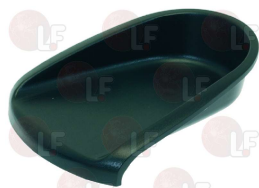
COMPAK K.212

3241161 BLACK KNOB ø 40 mm
 D shaft hole 6x4.6 mm



Trays

1260004 COFFEE COLLECTION TRAY
 for Coffee grinder (COMPAK) A8
 for Grinder-dispenser (COMPAK) K10 - K5 - K6 - K8



COMPAK K.803

1260007 COFFEE COLLECTION TRAY
 for Grinder-dispenser (COMPAK) K3



COMPAK K.2051

1527811 COFFEE COLLECTION TRAY
 for Grinder-dispenser (COMPAK) D1 - D2



COMPAK K...2

The data herewith contained may change without notice and LF SpA cannot be held responsible for possible errors stated or resulting by the use of this document. All rights reserved. No part of this publication may be reproduced without written permission by LF SpA.



LF SpA
via Voltri, 80 - 47522 Cesena (FC) ITALIA
Tel. +39 0547 34 11 11 - Fax +39 0547 34 11 10
www.lfricambi724.it - www.lfricambi724.mobi
info@lfricambi.it
Export Dept.: Tel. +39 0547 34 11 50 - Fax: +39 0547 34 11 55
www.lfspareparts724.com - www.lfspareparts724.mobi
export@lfspaceparts.com

FRANCE



EPGC Sas
13, Rue des Forts - 59960 Neuville en Ferrain
Tél. +33 (0)3 20 25 06 21
Fax +33 (0)3 20 25 34 12
www.epgc.com
www.epgc724.mobi
epgc@epgc.com

DEUTSCHLAND



LF GmbH
Junkersstrasse, 1 - D-82178 Puchheim - München
Tel. +49 89 89 45 78 66
Fax +49 89 89 45 78 88
www.lfersatzteile724.de
www.lfersatzteile724.mobi
info@lfersatzteile.de

SCHWEIZ



LF GmbH Verkaufsbüro
Sennweidstrasse, 45 - CH-6312 Steinhausen
Tel. +41 (0)41 760 15 80-1
Fax +41 (0)41 760 15 85
www.lfersatzteile724.ch
www.lfersatzteile724.mobi
info@lfersatzteile.ch

ESPAÑA



LF Repuestos Horeca S.L.U.
Calle Ciudad Real, 10 - 45517 Escalonilla - Toledo
Tif. +34 91 477 91 00
Fax +34 91 477 90 81
www.lfrepuestos724.es
www.lfrepuestos724.mobi
info@lfrepuestos.es

UNITED KINGDOM



LF Spare Parts Ltd.
A10a Lakeside Business Park, Broadway Lane
South Cerney, Gloucestershire GL7 5XL
Tel. +44 (0)1285 86 16 25
Fax +44 (0)1285 86 39 49
www.lfspareparts724.co.uk
www.lfspareparts724.mobi
info@lfspaceparts.co.uk

RUSSIA



OOO LF
ul, Anatoliya Zhivova, 8 - office 1 - 123100 Moscow
Tel. +7 499 259 85 75
Fax +7 495 725 26 53
www.lfspareparts724.ru
www.lfspareparts724.mobi
info@lfspaceparts.ru

CHINA



LF China
Room 102, House 8, Lane 725, Mao Tai Rd.
Changning Dist. - 200336 Shanghai
Tel. +86 (0)21 33 53 66 31
Fax +86 (0)21 33 53 66 32
www.lfspareparts724.com
www.lfspareparts724.mobi
china@lfspaceparts.com