



Spare parts for:

## Coffee grinders



Suitable for:

# CUNILL



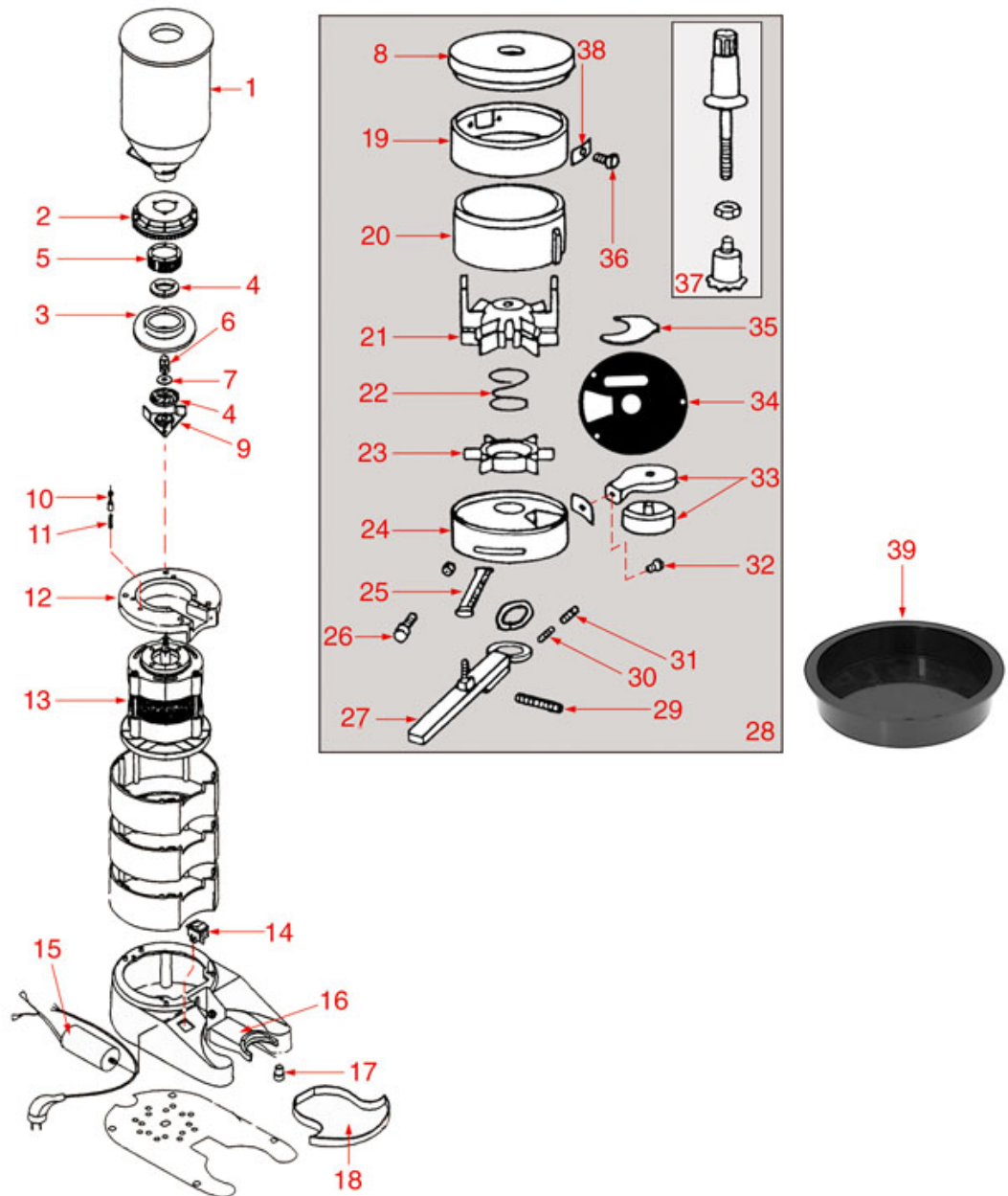
This catalogue is automatically generated.  
Therefore, the sequence of the items might  
not be always shown at best.  
Updates will be issued in case of additions  
and/or amendments.

*Suitable universal spare parts may not be included*





## GRINDER ASSEMBLY





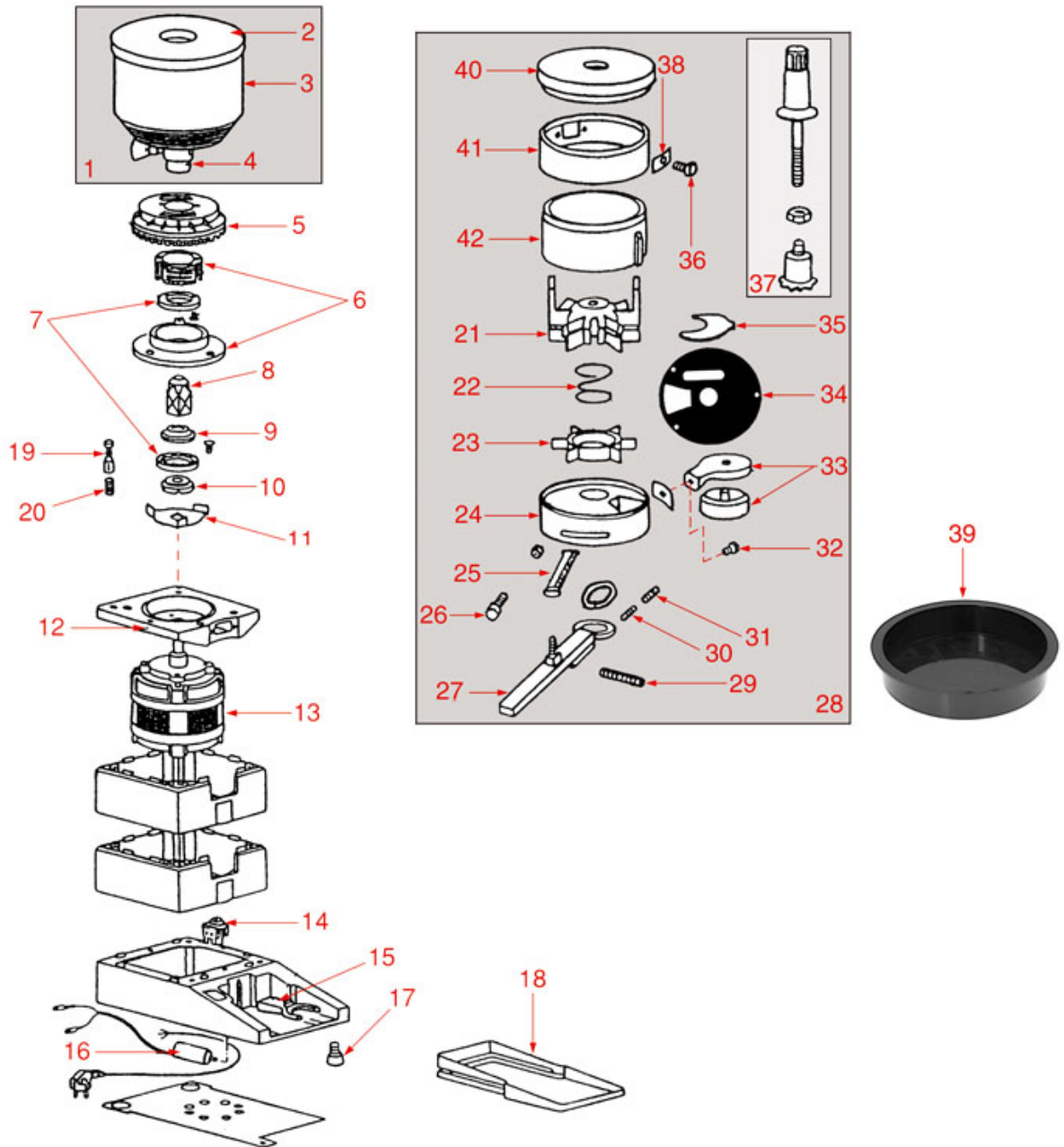
# CUNILL



Position	LF code no.	Description
1	1080501	STANDARD COFFEE HOPPER 1.5 Kg
1	1080906	COMPLETE COFFEE HOPPER
2	1252256	ADJUSTMENT RING
4	1251128	GRINDING BURRS CUNILL (PAIR) LEFT
4	1251634	GRINDING BURRS CUNILL (PAIR) LEFT
8	1252217	DOSER LID
8	1252218	DOSER LID
10	1252246	SPRING ADJUSTMENT PIN
11	1250972	CONTROL SPRING
14	3319019	RED BIPOLAR SWITCH 16A 250V
17	1313916	RUBBER FOOT
17	1313917	RECTANGULAR RUBBER FOOT
19	1252203	DOSER CYLINDER
20	1252201	DOSER CYLINDER 600 gr
20	1252202	DOSER CYLINDER 300 gr
22	1252211	STAR SPRING
23	1343021	STAR ASSEMBLY
25	1252209	DOSER LEVER RETURN SPRING
27	1252214	DOSER LEVER
29	1252210	DOSER PIN
31	1250971	LEVER PIN SPRING
33	1385531	COFFEE TAMPER ASSEMBLY
37	1324918	PAWL ROD ASSEMBLY
39	1252243	COFFEE COLLECTION TRAY



## GRINDER ASSEMBLY







# CUNILL

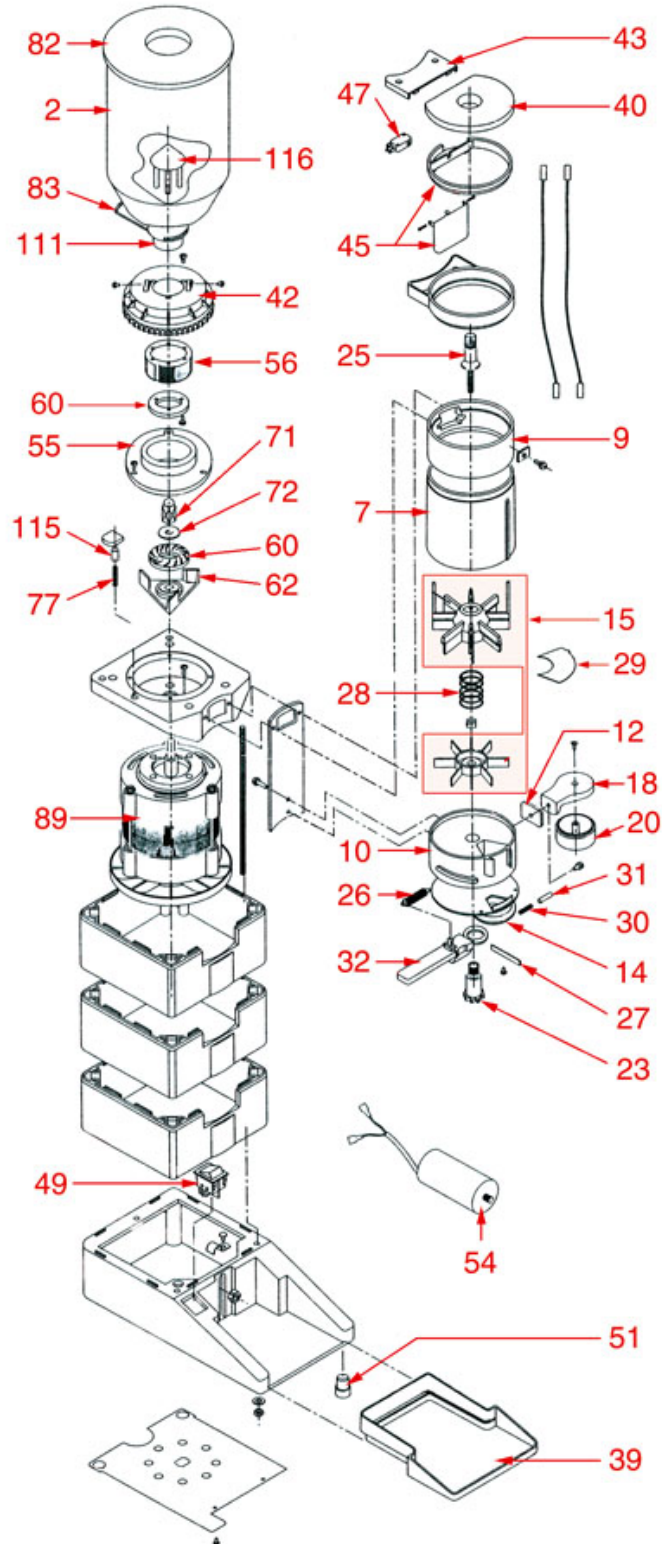


Position	LF code no.	Description
1	1080501	STANDARD COFFEE HOPPER 1.5 Kg
1	1080906	COMPLETE COFFEE HOPPER
2	1252234	COFFEE HOPPER LID ø 200 mm
3	1080907	COFFEE HOPPER 1 kg
4	1252244	COFFEE HOPPER FILLER
5	1252256	ADJUSTMENT RING
7	1251128	GRINDING BURRS CUNILL (PAIR) LEFT
7	1251634	GRINDING BURRS CUNILL (PAIR) LEFT
14	3319019	RED BIPOLAR SWITCH 16A 250V
17	1313916	RUBBER FOOT
17	1313917	RECTANGULAR RUBBER FOOT
18	1252242	COFFEE COLLECTION TRAY
19	1252246	SPRING ADJUSTMENT PIN
20	1250972	CONTROL SPRING
22	1252211	STAR SPRING
23	1343021	STAR ASSEMBLY
25	1252209	DOSER LEVER RETURN SPRING
27	1252214	DOSER LEVER
29	1252210	DOSER PIN
31	1250971	LEVER PIN SPRING
33	1385531	COFFEE TAMPER ASSEMBLY
37	1324918	PAWL ROD ASSEMBLY
39	1252243	COFFEE COLLECTION TRAY
40	1252217	DOSER LID
40	1252218	DOSER LID
41	1252203	DOSER CYLINDER
42	1252201	DOSER CYLINDER 600 gr
42	1252202	DOSER CYLINDER 300 gr



## SPACE COFFEE GRINDER

SPACE





# CUNILL

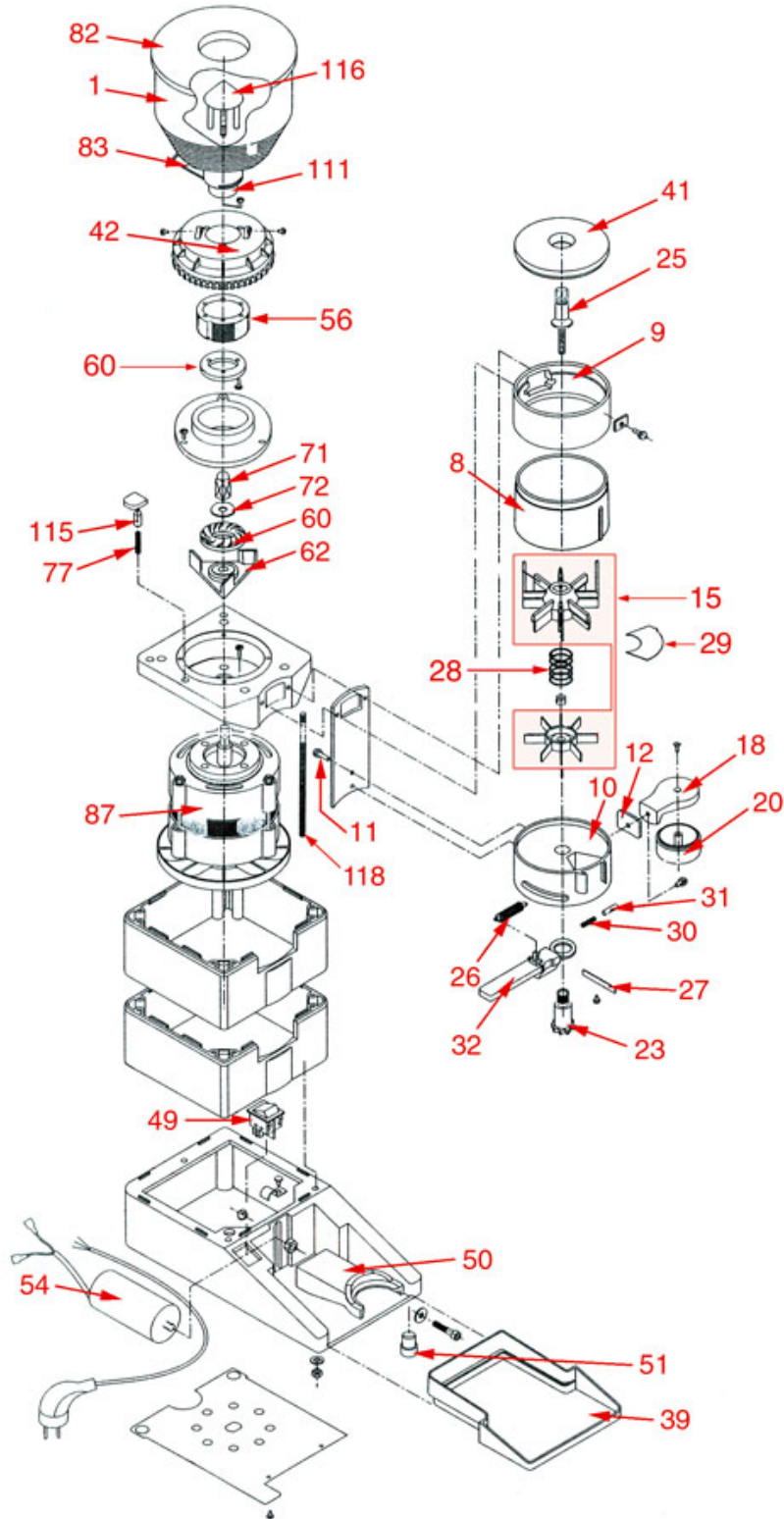


Position	LF code no.	Description
2	1080932	COMPLETE COFFEE HOPPER 2 kg
7	1252201	DOSER CYLINDER 600 gr
9	1252203	DOSER CYLINDER
12	1252204	RECTANGULAR PLATE M6x1
14	1252205	DOSER BOTTOM LID
15	1343021	STAR ASSEMBLY
18	1385912	COFFEE TAMPER ASSEMBLY
20	1385913	COFFEE TAMPER
23	1252206	PAWL RH
25	1252208	ADJUSTMENT SCREW
26	1252209	DOSER LEVER RETURN SPRING
27	1252210	DOSER PIN
28	1252211	STAR SPRING
30	1250971	LEVER PIN SPRING
31	1252213	LEVER PIN
32	1252214	DOSER LEVER
39	1252216	COFFEE COLLECTION TRAY
40	1252217	DOSER LID
42	1252256	ADJUSTMENT RING
43	1252220	MICROSWITCH LID
45	1252221	PLASTIC RING WITH FLAP
47	3240123	MICROSWITCH 16A 250V
49	1319935	GREEN BIPOLAR SWITCH 15A 250V
51	1313916	RUBBER FOOT
56	1251126	GRINDING BURRS TOP HOLDER
60	1251634	GRINDING BURRS CUNILL (PAIR) LEFT
62	1251127	GRINDING BURRS BOTTOM HOLDER
62	1252224	GRINDING BURRS BOTTOM HOLDER
77	1250972	CONTROL SPRING
82	1252234	COFFEE HOPPER LID $\varnothing$ 200 mm
83	1252244	COFFEE HOPPER FILLER
111	1252244	COFFEE HOPPER FILLER
115	1252246	SPRING ADJUSTMENT PIN
116	1252247	COFFEE HOPPER INNER PROTECTION



COLOMBIA COFFEE GRINDER

COLOMBIA





# CUNILL



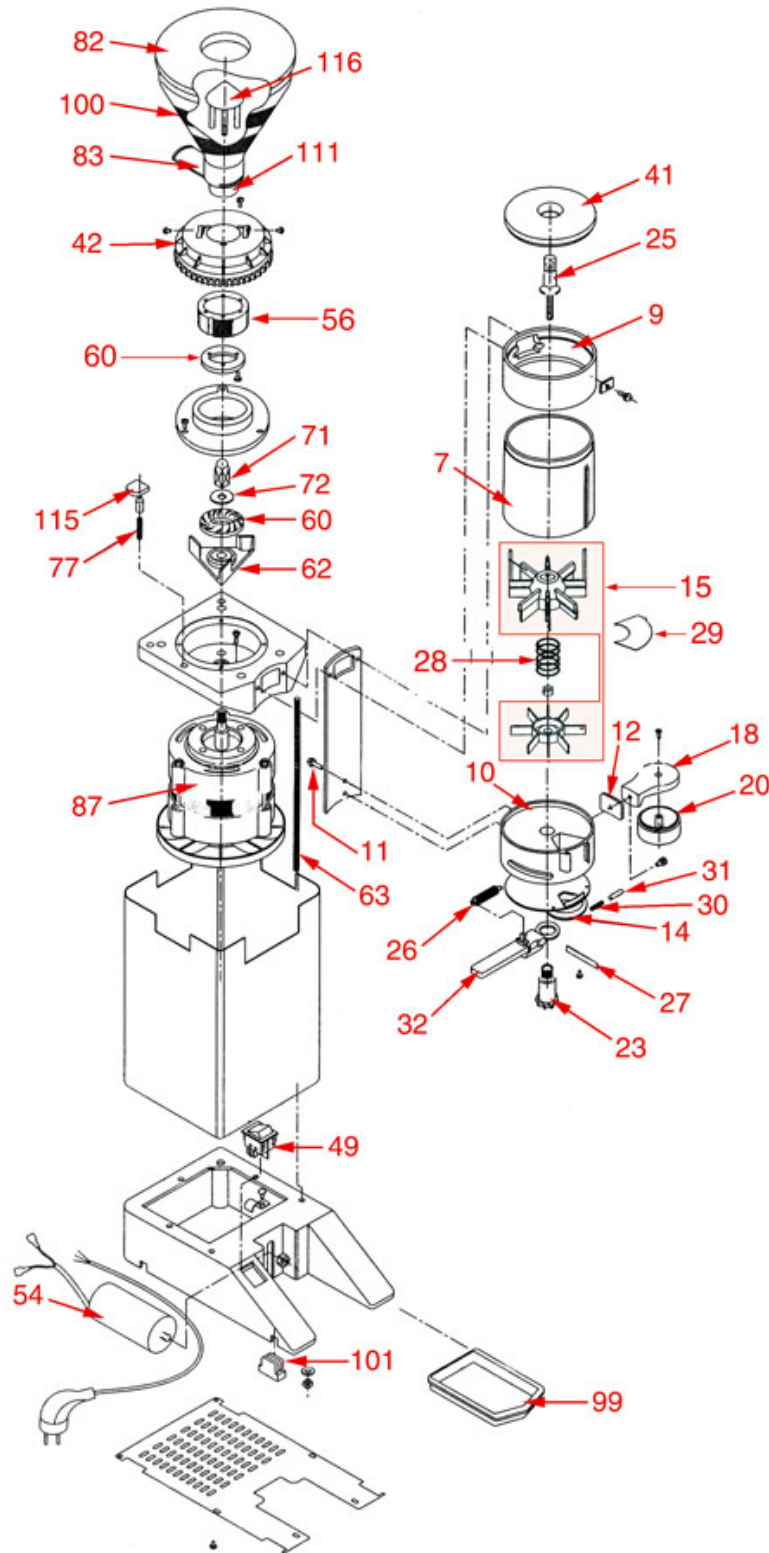
Position	LF code no.	Description
1	1080931	COMPLETE COFFEE HOPPER 1 kg
8	1252202	DOSER CYLINDER 300 gr
9	1252203	DOSER CYLINDER
12	1252204	RECTANGULAR PLATE M6x1
15	1343021	STAR ASSEMBLY
18	1385912	COFFEE TAMPER ASSEMBLY
20	1385913	COFFEE TAMPER
23	1252206	PAWL RH
25	1252208	ADJUSTMENT SCREW
26	1252209	DOSER LEVER RETURN SPRING
27	1252210	DOSER PIN
28	1252211	STAR SPRING
30	1250971	LEVER PIN SPRING
31	1252213	LEVER PIN
32	1252214	DOSER LEVER
39	1252216	COFFEE COLLECTION TRAY
41	1252218	DOSER LID
42	1252256	ADJUSTMENT RING
49	1319935	GREEN BIPOLAR SWITCH 15A 250V
51	1313916	RUBBER FOOT
56	1251126	GRINDING BURRS TOP HOLDER
60	1251634	GRINDING BURRS CUNILL (PAIR) LEFT
62	1251127	GRINDING BURRS BOTTOM HOLDER
62	1252224	GRINDING BURRS BOTTOM HOLDER
77	1250972	CONTROL SPRING
82	1252234	COFFEE HOPPER LID ø 200 mm
83	1252244	COFFEE HOPPER FILLER
111	1252244	COFFEE HOPPER FILLER
115	1252246	SPRING ADJUSTMENT PIN
116	1252247	COFFEE HOPPER INNER PROTECTION





TAURO COFFEE GRINDER

TAURO





# CUNILL

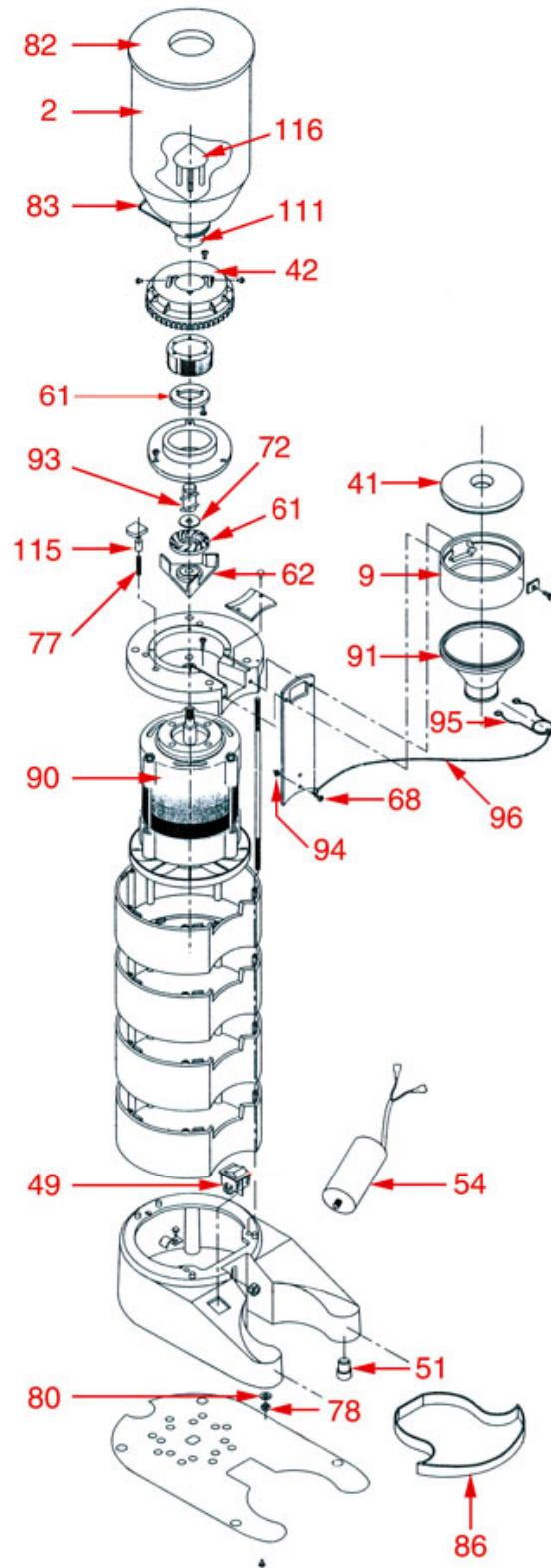


Position	LF code no.	Description
7	1252201	DOSER CYLINDER 600 gr
9	1252203	DOSER CYLINDER
12	1252204	RECTANGULAR PLATE M6x1
14	1252205	DOSER BOTTOM LID
15	1343021	STAR ASSEMBLY
18	1385912	COFFEE TAMPER ASSEMBLY
20	1385913	COFFEE TAMPER
23	1252206	PAWL RH
25	1252208	ADJUSTMENT SCREW
26	1252209	DOSER LEVER RETURN SPRING
27	1252210	DOSER PIN
28	1252211	STAR SPRING
30	1250971	LEVER PIN SPRING
31	1252213	LEVER PIN
32	1252214	DOSER LEVER
41	1252218	DOSER LID
42	1252256	ADJUSTMENT RING
49	1319935	GREEN BIPOLAR SWITCH 15A 250V
56	1251126	GRINDING BURRS TOP HOLDER
60	1251634	GRINDING BURRS CUNILL (PAIR) LEFT
62	1251127	GRINDING BURRS BOTTOM HOLDER
62	1252224	GRINDING BURRS BOTTOM HOLDER
77	1250972	CONTROL SPRING
82	1252234	COFFEE HOPPER LID ø 200 mm
83	1252244	COFFEE HOPPER FILLER
99	1252242	COFFEE COLLECTION TRAY
100	1080933	COMPLETE COFFEE HOPPER 1 kg
101	1313917	RECTANGULAR RUBBER FOOT
111	1252244	COFFEE HOPPER FILLER
115	1252246	SPRING ADJUSTMENT PIN
116	1252247	COFFEE HOPPER INNER PROTECTION



MICHIGAN COFFEE GRINDER

MICHIGAN





# CUNILL

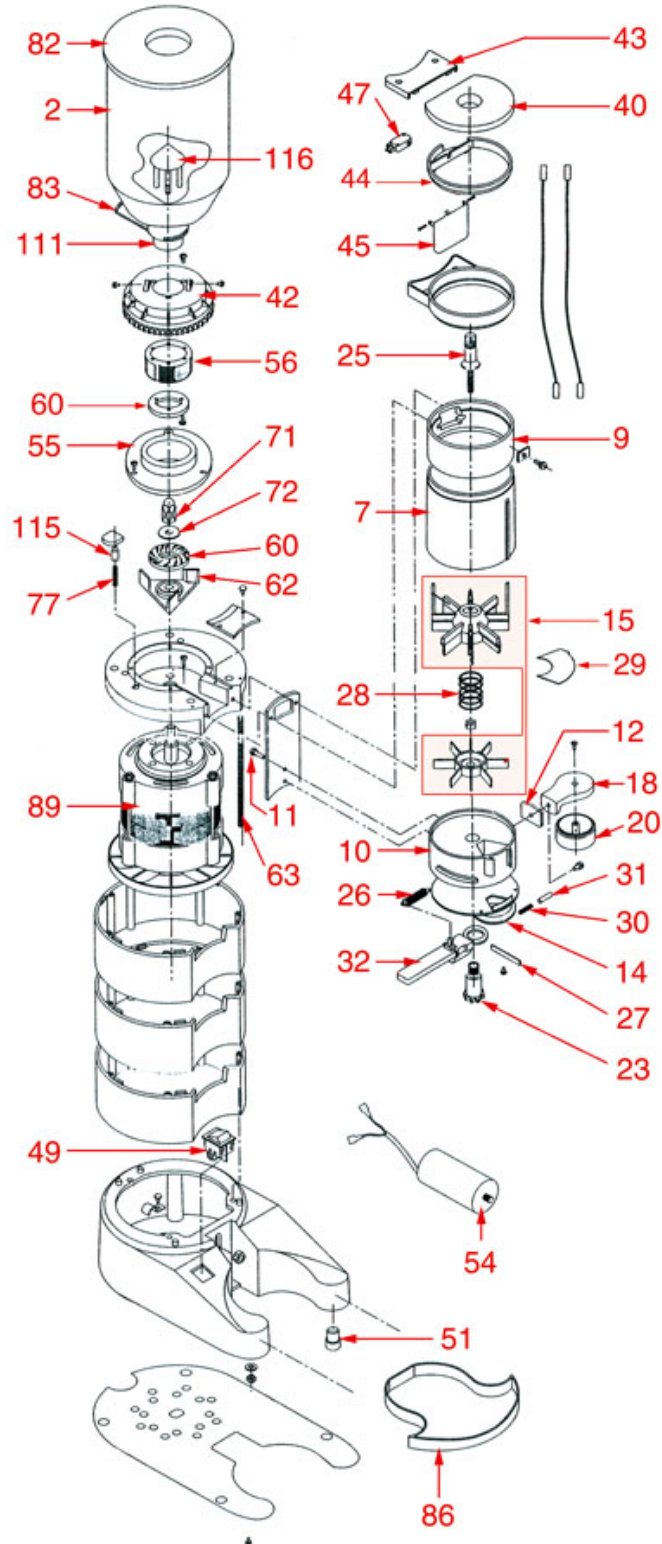


Position	LF code no.	Description
2	1080932	COMPLETE COFFEE HOPPER 2 kg
9	1252203	DOSER CYLINDER
41	1252218	DOSER LID
42	1252256	ADJUSTMENT RING
49	1319935	GREEN BIPOLAR SWITCH 15A 250V
51	1313916	RUBBER FOOT
61	1251128	GRINDING BURRS CUNILL (PAIR) LEFT
62	1252224	GRINDING BURRS BOTTOM HOLDER
77	1250972	CONTROL SPRING
82	1252234	COFFEE HOPPER LID ø 200 mm
83	1252244	COFFEE HOPPER FILLER
86	1252235	COFFEE COLLECTING TRAY
91	1252236	COFFEE FUNNEL
111	1252244	COFFEE HOPPER FILLER
115	1252246	SPRING ADJUSTMENT PIN
116	1252247	COFFEE HOPPER INNER PROTECTION



## MARFIL COFFEE GRINDER

MARFIL







# CUNILL

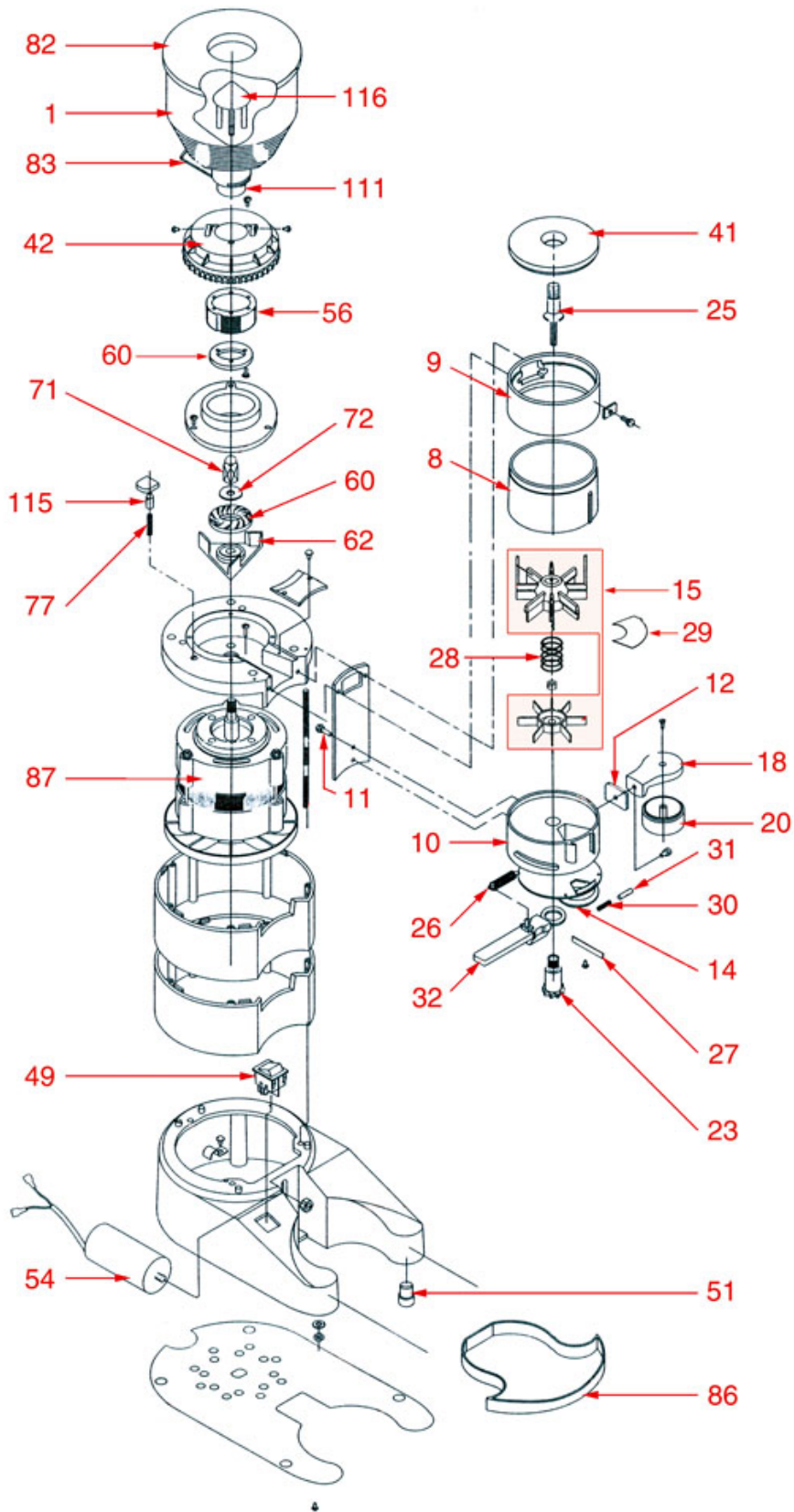


Position	LF code no.	Description
2	1080932	COMPLETE COFFEE HOPPER 2 kg
7	1252201	DOSER CYLINDER 600 gr
9	1252203	DOSER CYLINDER
12	1252204	RECTANGULAR PLATE M6x1
14	1252205	DOSER BOTTOM LID
15	1343021	STAR ASSEMBLY
18	1385912	COFFEE TAMPER ASSEMBLY
20	1385913	COFFEE TAMPER
23	1252206	PAWL RH
23	1252207	PAWL LH
25	1252208	ADJUSTMENT SCREW
26	1252209	DOSER LEVER RETURN SPRING
27	1252210	DOSER PIN
28	1252211	STAR SPRING
30	1250971	LEVER PIN SPRING
31	1252213	LEVER PIN
32	1252214	DOSER LEVER
40	1252217	DOSER LID
42	1252256	ADJUSTMENT RING
43	1252220	MICROSWITCH LID
45	1252221	PLASTIC RING WITH FLAP
45	1252222	PLASTIC RING WITH FLAP
45	1252223	LARGE ALUMINIUM FLAP
47	3240123	MICROSWITCH 16A 250V
49	1319935	GREEN BIPOLAR SWITCH 15A 250V
51	1313916	RUBBER FOOT
56	1251126	GRINDING BURRS TOP HOLDER
60	1251634	GRINDING BURRS CUNILL (PAIR) LEFT
62	1251127	GRINDING BURRS BOTTOM HOLDER
62	1252224	GRINDING BURRS BOTTOM HOLDER
77	1250972	CONTROL SPRING
82	1252234	COFFEE HOPPER LID ø 200 mm
83	1252244	COFFEE HOPPER FILLER
86	1252235	COFFEE COLLECTING TRAY
111	1252244	COFFEE HOPPER FILLER
115	1252246	SPRING ADJUSTMENT PIN
116	1252247	COFFEE HOPPER INNER PROTECTION



BRASIL COFFEE GRINDER

BRASIL





# CUNILL

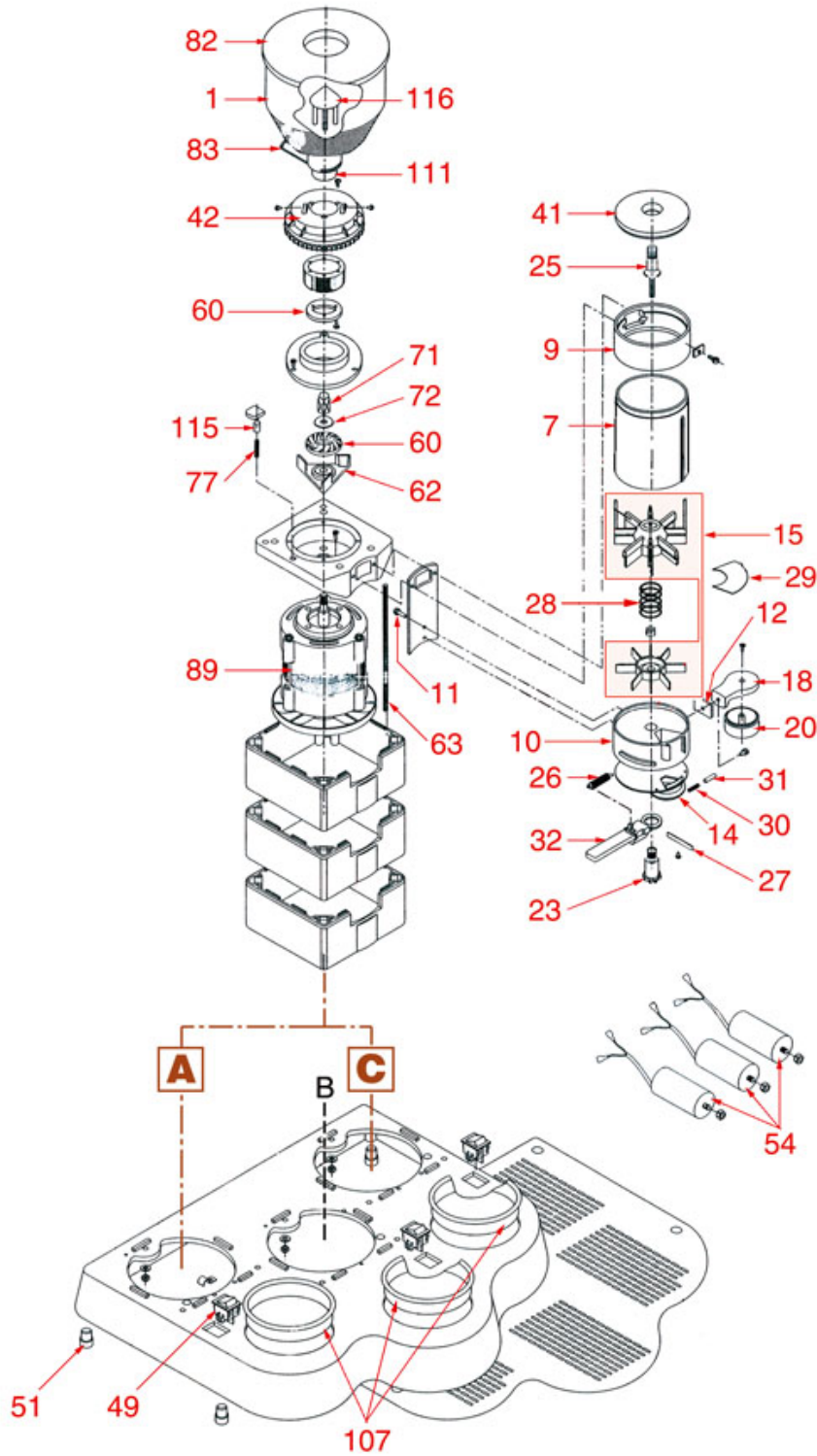


Position	LF code no.	Description
1	1080931	COMPLETE COFFEE HOPPER 1 kg
8	1252202	DOSER CYLINDER 300 gr
9	1252203	DOSER CYLINDER
12	1252204	RECTANGULAR PLATE M6x1
14	1252205	DOSER BOTTOM LID
15	1343021	STAR ASSEMBLY
18	1385912	COFFEE TAMPER ASSEMBLY
20	1385913	COFFEE TAMPER
20	1385914	COFFEE TAMPER
23	1252206	PAWL RH
25	1252208	ADJUSTMENT SCREW
26	1252209	DOSER LEVER RETURN SPRING
27	1252210	DOSER PIN
28	1252211	STAR SPRING
30	1250971	LEVER PIN SPRING
31	1252213	LEVER PIN
32	1252214	DOSER LEVER
41	1252218	DOSER LID
42	1252256	ADJUSTMENT RING
49	1319935	GREEN BIPOLAR SWITCH 15A 250V
51	1313916	RUBBER FOOT
56	1251126	GRINDING BURRS TOP HOLDER
60	1251634	GRINDING BURRS CUNILL (PAIR) LEFT
62	1251127	GRINDING BURRS BOTTOM HOLDER
62	1252224	GRINDING BURRS BOTTOM HOLDER
77	1250972	CONTROL SPRING
82	1252234	COFFEE HOPPER LID ø 200 mm
83	1252244	COFFEE HOPPER FILLER
86	1252235	COFFEE COLLECTING TRAY
111	1252244	COFFEE HOPPER FILLER
115	1252246	SPRING ADJUSTMENT PIN
116	1252247	COFFEE HOPPER INNER PROTECTION



## MEXICO A/C COFFEE GRINDER

### MEXICO A/C





# CUNILL



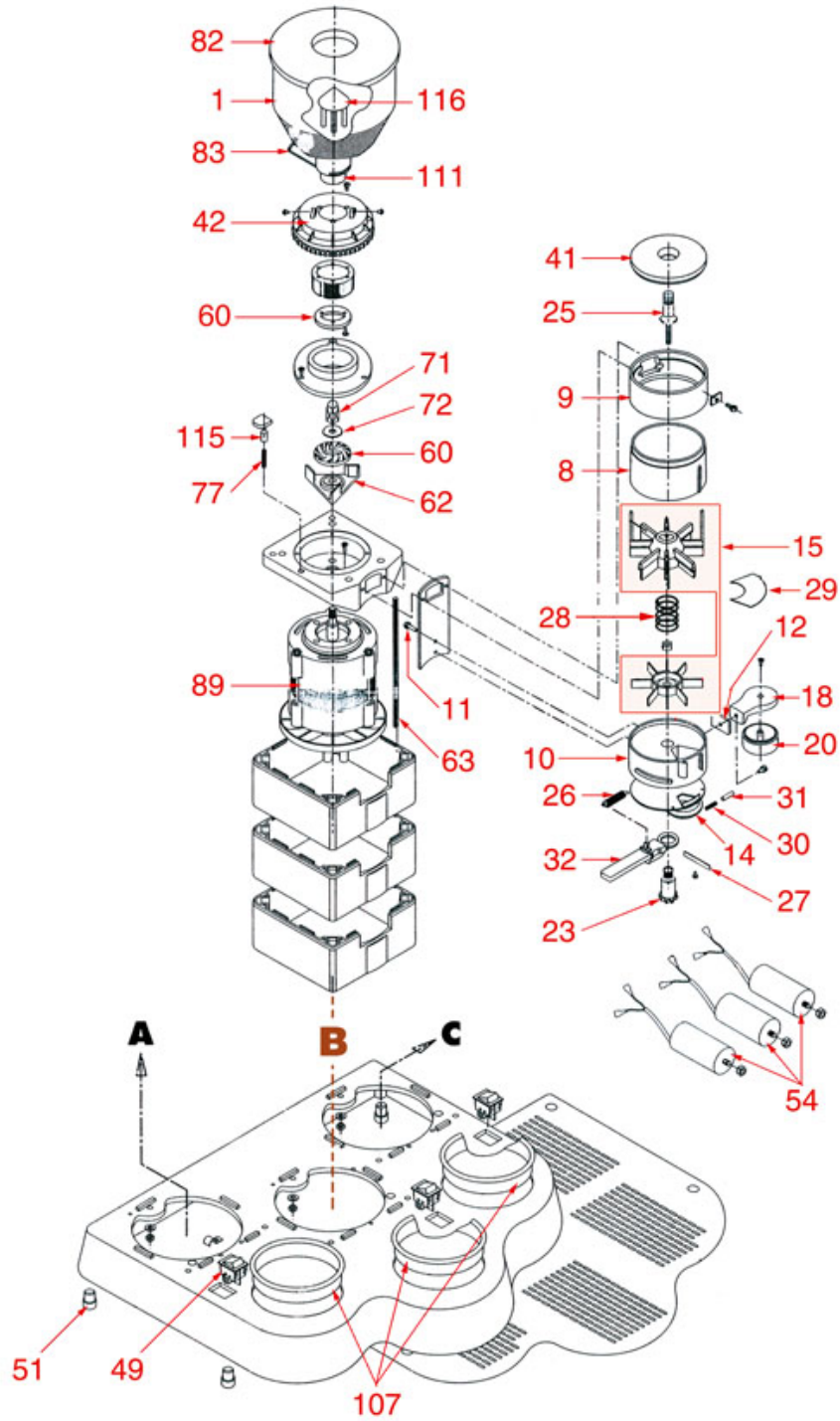
Position	LF code no.	Description
1	1080931	COMPLETE COFFEE HOPPER 1 kg
7	1252201	DOSER CYLINDER 600 gr
9	1252203	DOSER CYLINDER
12	1252204	RECTANGULAR PLATE M6x1
14	1252205	DOSER BOTTOM LID
15	1343021	STAR ASSEMBLY
18	1385912	COFFEE TAMPER ASSEMBLY
20	1385913	COFFEE TAMPER
23	1252206	PAWL RH
25	1252208	ADJUSTMENT SCREW
26	1252209	DOSER LEVER RETURN SPRING
27	1252210	DOSER PIN
28	1252211	STAR SPRING
30	1250971	LEVER PIN SPRING
31	1252213	LEVER PIN
32	1252214	DOSER LEVER
41	1252218	DOSER LID
42	1252256	ADJUSTMENT RING
49	1319935	GREEN BIPOLAR SWITCH 15A 250V
51	1313916	RUBBER FOOT
60	1251634	GRINDING BURRS CUNILL (PAIR) LEFT
62	1252224	GRINDING BURRS BOTTOM HOLDER
77	1250972	CONTROL SPRING
82	1252234	COFFEE HOPPER LID ø 200 mm
83	1252244	COFFEE HOPPER FILLER
107	1252243	COFFEE COLLECTION TRAY
111	1252244	COFFEE HOPPER FILLER
115	1252246	SPRING ADJUSTMENT PIN
116	1252247	COFFEE HOPPER INNER PROTECTION





## MEXICO B COFFEE GRINDER

### MEXICO B





# CUNILL

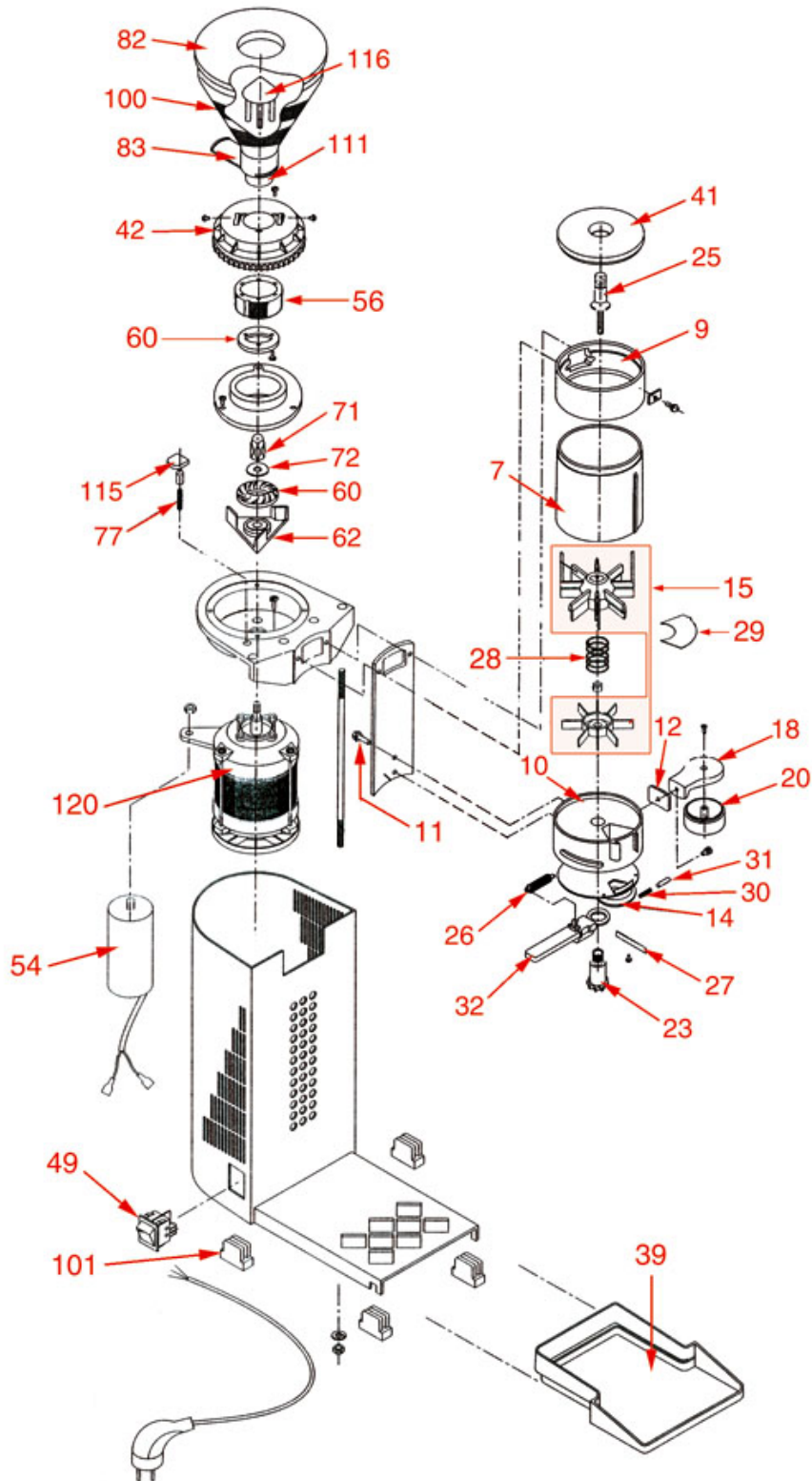


Position	LF code no.	Description
1	1080931	COMPLETE COFFEE HOPPER 1 kg
8	1252202	DOSER CYLINDER 300 gr
9	1252203	DOSER CYLINDER
12	1252204	RECTANGULAR PLATE M6x1
14	1252205	DOSER BOTTOM LID
15	1343021	STAR ASSEMBLY
18	1385912	COFFEE TAMPER ASSEMBLY
20	1385913	COFFEE TAMPER
23	1252206	PAWL RH
25	1252208	ADJUSTMENT SCREW
26	1252209	DOSER LEVER RETURN SPRING
27	1252210	DOSER PIN
28	1252211	STAR SPRING
30	1250971	LEVER PIN SPRING
31	1252213	LEVER PIN
32	1252214	DOSER LEVER
41	1252218	DOSER LID
42	1252256	ADJUSTMENT RING
49	1319935	GREEN BIPOLAR SWITCH 15A 250V
51	1313916	RUBBER FOOT
60	1251634	GRINDING BURRS CUNILL (PAIR) LEFT
62	1252224	GRINDING BURRS BOTTOM HOLDER
77	1250972	CONTROL SPRING
82	1252234	COFFEE HOPPER LID ø 200 mm
83	1252244	COFFEE HOPPER FILLER
107	1252243	COFFEE COLLECTION TRAY
111	1252244	COFFEE HOPPER FILLER
115	1252246	SPRING ADJUSTMENT PIN
116	1252247	COFFEE HOPPER INNER PROTECTION



## FULL METAL

FULL METAL





# CUNILL

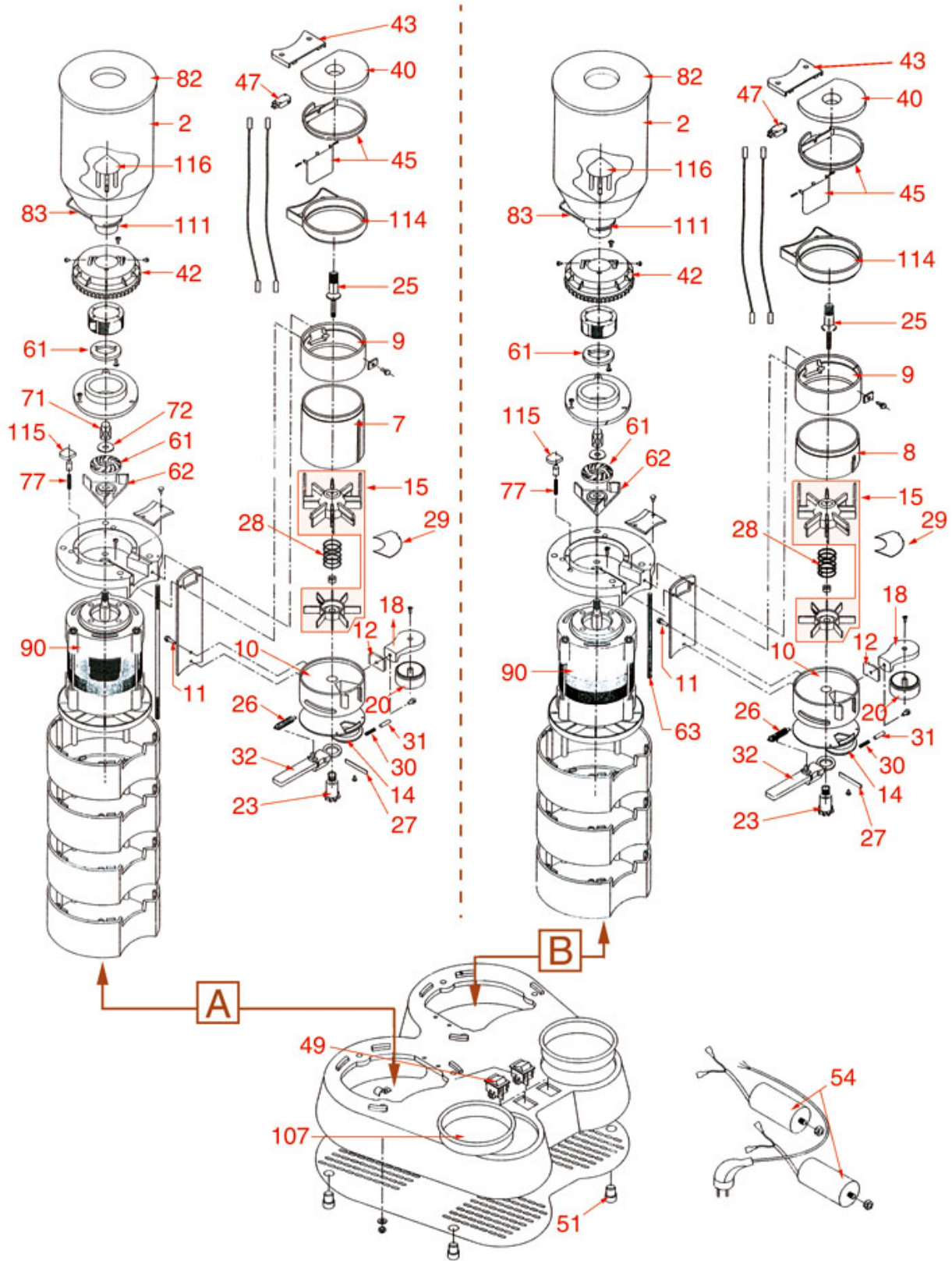


Position	LF code no.	Description
7	1252201	DOSER CYLINDER 600 gr
9	1252203	DOSER CYLINDER
12	1252204	RECTANGULAR PLATE M6x1
14	1252205	DOSER BOTTOM LID
15	1343021	STAR ASSEMBLY
18	1385912	COFFEE TAMPER ASSEMBLY
20	1385913	COFFEE TAMPER
23	1252206	PAWL RH
25	1252208	ADJUSTMENT SCREW
26	1252209	DOSER LEVER RETURN SPRING
27	1252210	DOSER PIN
28	1252211	STAR SPRING
30	1250971	LEVER PIN SPRING
31	1252213	LEVER PIN
32	1252214	DOSER LEVER
39	1252216	COFFEE COLLECTION TRAY
41	1252218	DOSER LID
42	1252256	ADJUSTMENT RING
49	1319935	GREEN BIPOLAR SWITCH 15A 250V
56	1251126	GRINDING BURRS TOP HOLDER
60	1251634	GRINDING BURRS CUNILL (PAIR) LEFT
62	1251127	GRINDING BURRS BOTTOM HOLDER
62	1252224	GRINDING BURRS BOTTOM HOLDER
77	1250972	CONTROL SPRING
82	1252234	COFFEE HOPPER LID $\varnothing$ 200 mm
83	1252244	COFFEE HOPPER FILLER
100	1080933	COMPLETE COFFEE HOPPER 1 kg
101	1313917	RECTANGULAR RUBBER FOOT
111	1252244	COFFEE HOPPER FILLER
115	1252246	SPRING ADJUSTMENT PIN
116	1252247	COFFEE HOPPER INNER PROTECTION



COSTA RICA

COSTA RICA







# CUNILL

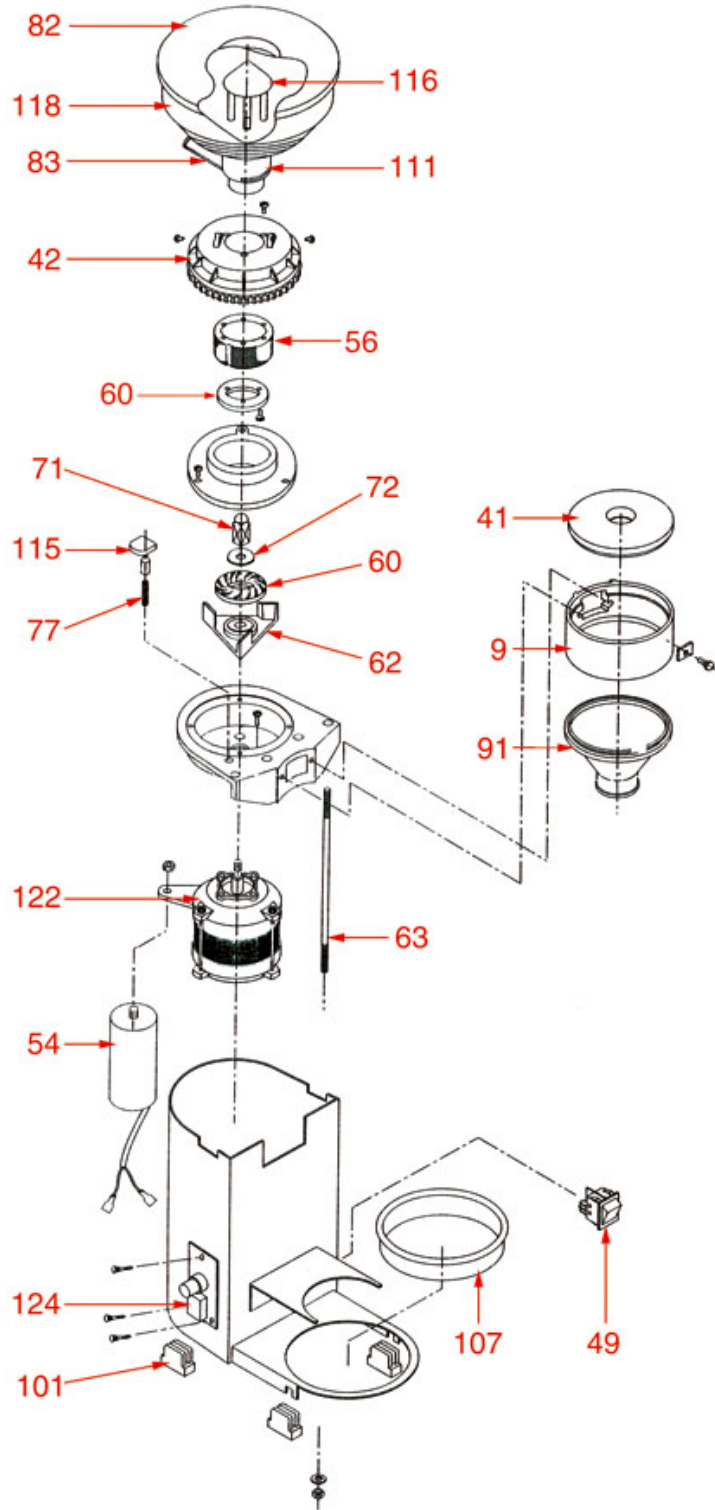


Position	LF code no.	Description
2	1080932	COMPLETE COFFEE HOPPER 2 kg
7	1252201	DOSER CYLINDER 600 gr
8	1252202	DOSER CYLINDER 300 gr
9	1252203	DOSER CYLINDER
12	1252204	RECTANGULAR PLATE M6x1
14	1252205	DOSER BOTTOM LID
15	1343021	STAR ASSEMBLY
18	1385912	COFFEE TAMPER ASSEMBLY
20	1385913	COFFEE TAMPER
23	1252206	PAWL RH
25	1252208	ADJUSTMENT SCREW
26	1252209	DOSER LEVER RETURN SPRING
27	1252210	DOSER PIN
28	1252211	STAR SPRING
30	1250971	LEVER PIN SPRING
31	1252213	LEVER PIN
32	1252214	DOSER LEVER
40	1252217	DOSER LID
42	1252256	ADJUSTMENT RING
43	1252220	MICROSWITCH LID
45	1252221	PLASTIC RING WITH FLAP
47	3240123	MICROSWITCH 16A 250V
49	1319935	GREEN BIPOLAR SWITCH 15A 250V
51	1313916	RUBBER FOOT
61	1251128	GRINDING BURRS CUNILL (PAIR) LEFT
62	1252224	GRINDING BURRS BOTTOM HOLDER
77	1250972	CONTROL SPRING
82	1252234	COFFEE HOPPER LID ø 200 mm
83	1252244	COFFEE HOPPER FILLER
107	1252243	COFFEE COLLECTION TRAY
111	1252244	COFFEE HOPPER FILLER
114	1252245	ADDITIONAL DOSER CYLINDER
115	1252246	SPRING ADJUSTMENT PIN
116	1252247	COFFEE HOPPER INNER PROTECTION



EL CAFE' TRANQUILO

EL CAFÈ TRANQUILO





# CUNILL

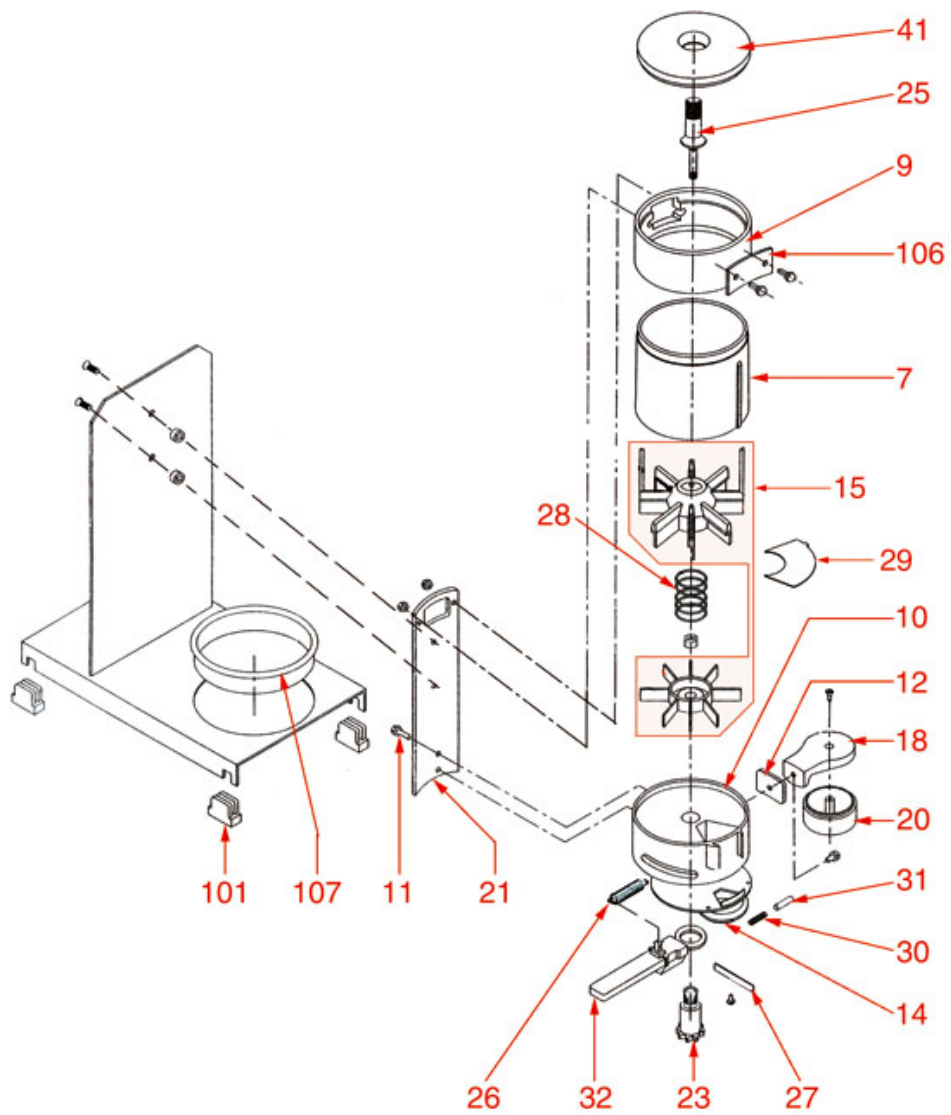


Position	LF code no.	Description
9	1252203	DOSER CYLINDER
41	1252218	DOSER LID
42	1252256	ADJUSTMENT RING
49	1319935	GREEN BIPOLAR SWITCH 15A 250V
56	1251126	GRINDING BURRS TOP HOLDER
60	1251634	GRINDING BURRS CUNILL (PAIR) LEFT
62	1251127	GRINDING BURRS BOTTOM HOLDER
62	1252224	GRINDING BURRS BOTTOM HOLDER
77	1250972	CONTROL SPRING
82	1252234	COFFEE HOPPER LID ø 200 mm
83	1252244	COFFEE HOPPER FILLER
91	1252236	COFFEE FUNNEL
101	1313917	RECTANGULAR RUBBER FOOT
107	1252243	COFFEE COLLECTION TRAY
111	1252244	COFFEE HOPPER FILLER
115	1252246	SPRING ADJUSTMENT PIN
116	1252247	COFFEE HOPPER INNER PROTECTION
118	1080934	COMPLETE COFFEE HOPPER 500 gr
124	1252248	PRINTED CIRCUIT BOARD 0-5 SECONDS



SPECIAL BAR

SPECIAL BAR





# CUNILL

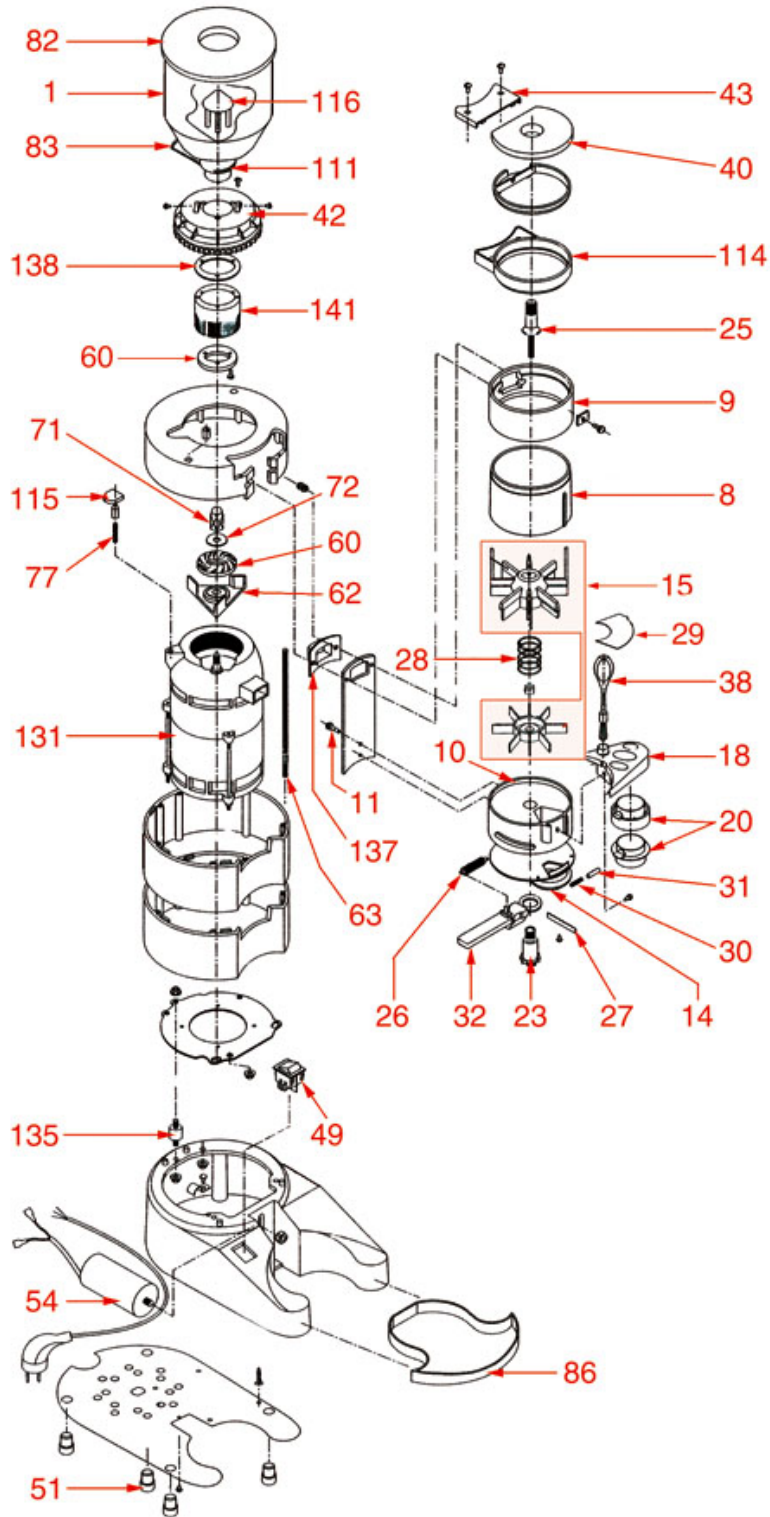


Position	LF code no.	Description
7	1252201	DOSER CYLINDER 600 gr
9	1252203	DOSER CYLINDER
12	1252204	RECTANGULAR PLATE M6x1
14	1252205	DOSER BOTTOM LID
15	1343021	STAR ASSEMBLY
18	1385912	COFFEE TAMPER ASSEMBLY
20	1385913	COFFEE TAMPER
23	1252206	PAWL RH
25	1252208	ADJUSTMENT SCREW
26	1252209	DOSER LEVER RETURN SPRING
27	1252210	DOSER PIN
28	1252211	STAR SPRING
30	1250971	LEVER PIN SPRING
31	1252213	LEVER PIN
32	1252214	DOSER LEVER
41	1252218	DOSER LID
101	1313917	RECTANGULAR RUBBER FOOT
107	1252243	COFFEE COLLECTION TRAY



## UGANDA

### UGANDA





# CUNILL



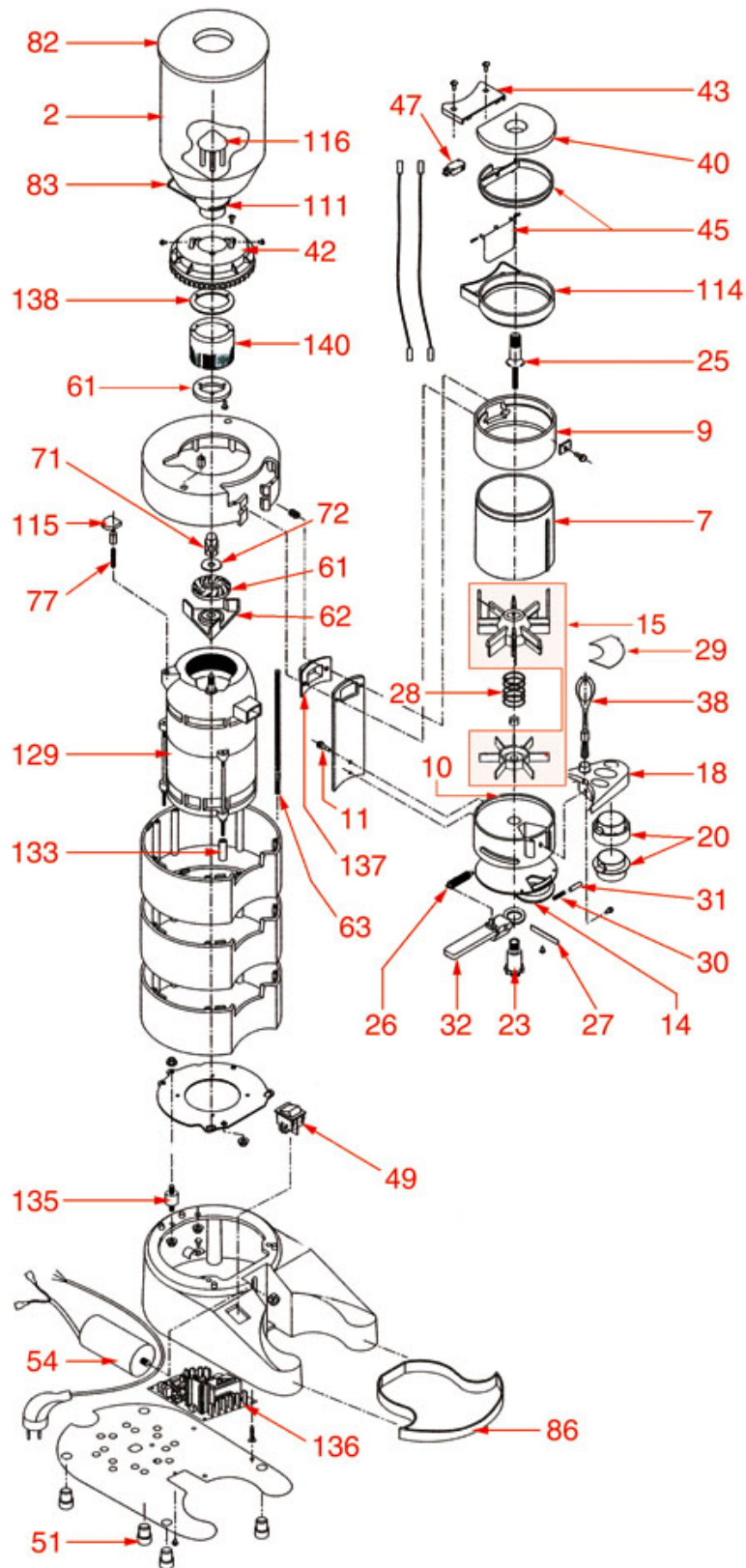
Position	LF code no.	Description
1	1080931	COMPLETE COFFEE HOPPER 1 kg
8	1252202	DOSER CYLINDER 300 gr
9	1252203	DOSER CYLINDER
14	1252205	DOSER BOTTOM LID
15	1343021	STAR ASSEMBLY
18	1385912	COFFEE TAMPER ASSEMBLY
20	1385913	COFFEE TAMPER
23	1252206	PAWL RH
25	1252208	ADJUSTMENT SCREW
26	1252209	DOSER LEVER RETURN SPRING
27	1252210	DOSER PIN
28	1252211	STAR SPRING
30	1250971	LEVER PIN SPRING
31	1252213	LEVER PIN
32	1252214	DOSER LEVER
40	1252217	DOSER LID
42	1252256	ADJUSTMENT RING
43	1252220	MICROSWITCH LID
49	1319935	GREEN BIPOLAR SWITCH 15A 250V
51	1313916	RUBBER FOOT
60	1251634	GRINDING BURRS CUNILL (PAIR) LEFT
62	1252224	GRINDING BURRS BOTTOM HOLDER
77	1250972	CONTROL SPRING
82	1252234	COFFEE HOPPER LID ø 200 mm
83	1252244	COFFEE HOPPER FILLER
86	1252235	COFFEE COLLECTING TRAY
111	1252244	COFFEE HOPPER FILLER
114	1252245	ADDITIONAL DOSER CYLINDER
115	1252246	SPRING ADJUSTMENT PIN
116	1252247	COFFEE HOPPER INNER PROTECTION
135	1252250	SHOCK ABSORBER GRINDER/DOSER CUNILL
137	1252252	GASKET FOR COFFEE OUTLET OPENING
138	1252253	ADJUSTMENT RING RUBBER GASKET





## NOBEL

NOBEL





# CUNILL

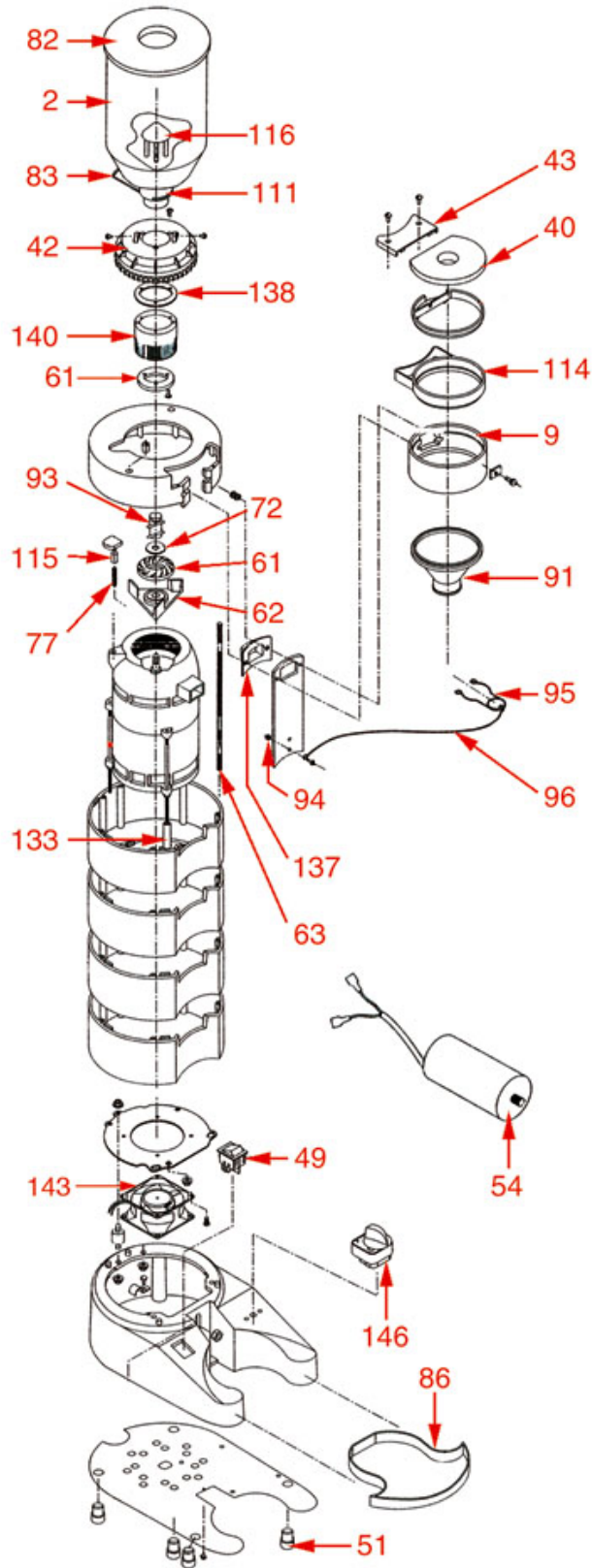


Position	LF code no.	Description
2	1080932	COMPLETE COFFEE HOPPER 2 kg
7	1252201	DOSER CYLINDER 600 gr
9	1252203	DOSER CYLINDER
14	1252205	DOSER BOTTOM LID
15	1343021	STAR ASSEMBLY
18	1385912	COFFEE TAMPER ASSEMBLY
20	1385913	COFFEE TAMPER
23	1252206	PAWL RH
25	1252208	ADJUSTMENT SCREW
26	1252209	DOSER LEVER RETURN SPRING
27	1252210	DOSER PIN
28	1252211	STAR SPRING
30	1250971	LEVER PIN SPRING
31	1252213	LEVER PIN
32	1252214	DOSER LEVER
40	1252217	DOSER LID
42	1252256	ADJUSTMENT RING
43	1252220	MICROSWITCH LID
45	1252221	PLASTIC RING WITH FLAP
47	3240123	MICROSWITCH 16A 250V
49	1319935	GREEN BIPOLAR SWITCH 15A 250V
51	1313916	RUBBER FOOT
61	1251128	GRINDING BURRS CUNILL (PAIR) LEFT
62	1252224	GRINDING BURRS BOTTOM HOLDER
77	1250972	CONTROL SPRING
82	1252234	COFFEE HOPPER LID ø 200 mm
83	1252244	COFFEE HOPPER FILLER
86	1252235	COFFEE COLLECTING TRAY
111	1252244	COFFEE HOPPER FILLER
114	1252245	ADDITIONAL DOSER CYLINDER
115	1252246	SPRING ADJUSTMENT PIN
116	1252247	COFFEE HOPPER INNER PROTECTION
135	1252250	SHOCK ABSORBER GRINDER/DOSER CUNILL
137	1252252	GASKET FOR COFFEE OUTLET OPENING
138	1252253	ADJUSTMENT RING RUBBER GASKET



HAWAII

HAWAII





# CUNILL

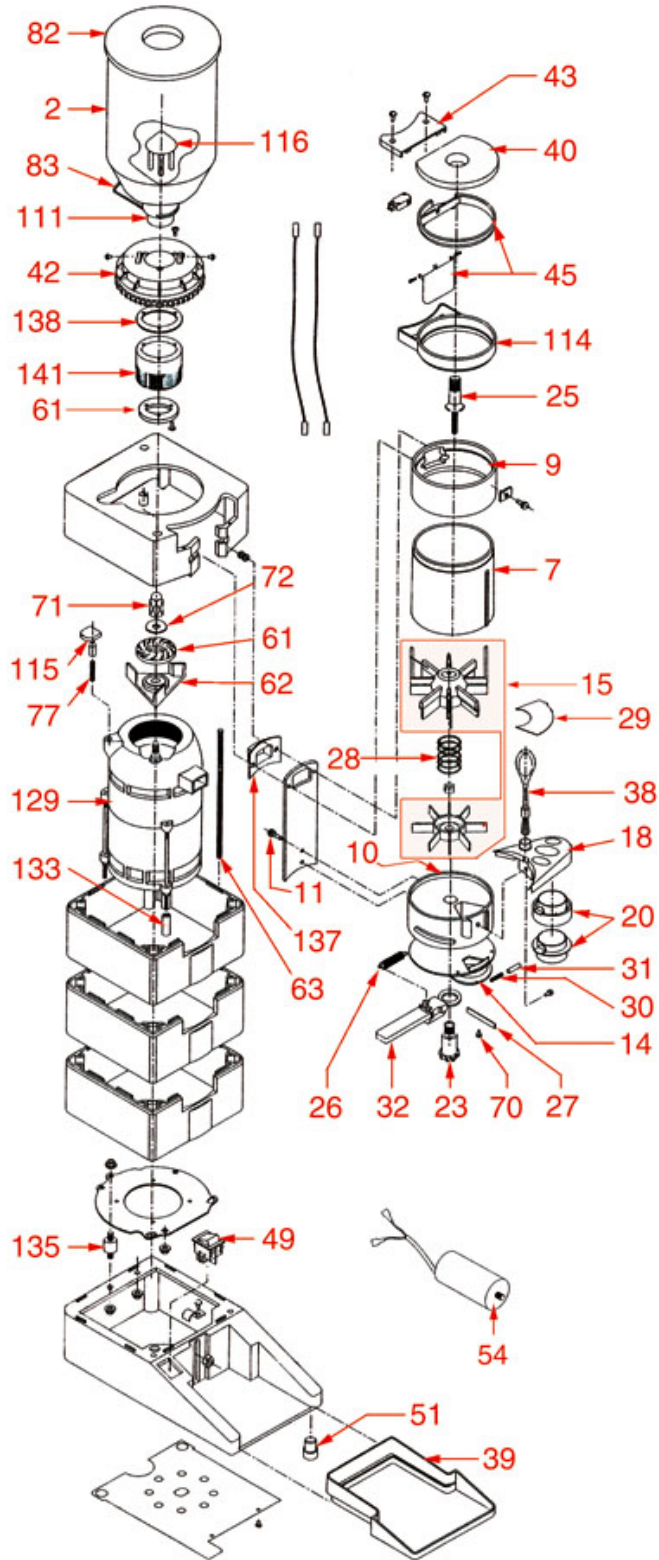


Position	LF code no.	Description
2	1080932	COMPLETE COFFEE HOPPER 2 kg
9	1252203	DOSER CYLINDER
40	1252217	DOSER LID
42	1252256	ADJUSTMENT RING
43	1252220	MICROSWITCH LID
49	1319935	GREEN BIPOLAR SWITCH 15A 250V
51	1313916	RUBBER FOOT
61	1251128	GRINDING BURRS CUNILL (PAIR) LEFT
62	1252224	GRINDING BURRS BOTTOM HOLDER
77	1250972	CONTROL SPRING
82	1252234	COFFEE HOPPER LID $\varnothing$ 200 mm
83	1252244	COFFEE HOPPER FILLER
86	1252235	COFFEE COLLECTING TRAY
91	1252236	COFFEE FUNNEL
111	1252244	COFFEE HOPPER FILLER
114	1252245	ADDITIONAL DOSER CYLINDER
115	1252246	SPRING ADJUSTMENT PIN
116	1252247	COFFEE HOPPER INNER PROTECTION
137	1252252	GASKET FOR COFFEE OUTLET OPENING
138	1252253	ADJUSTMENT RING RUBBER GASKET
143	1240961	AXIAL VENTILATOR 80x80x38 mm
146	3446014	TIMER 15 MINUTES MTS49



ETIOPIA

ETIOPIA





# CUNILL



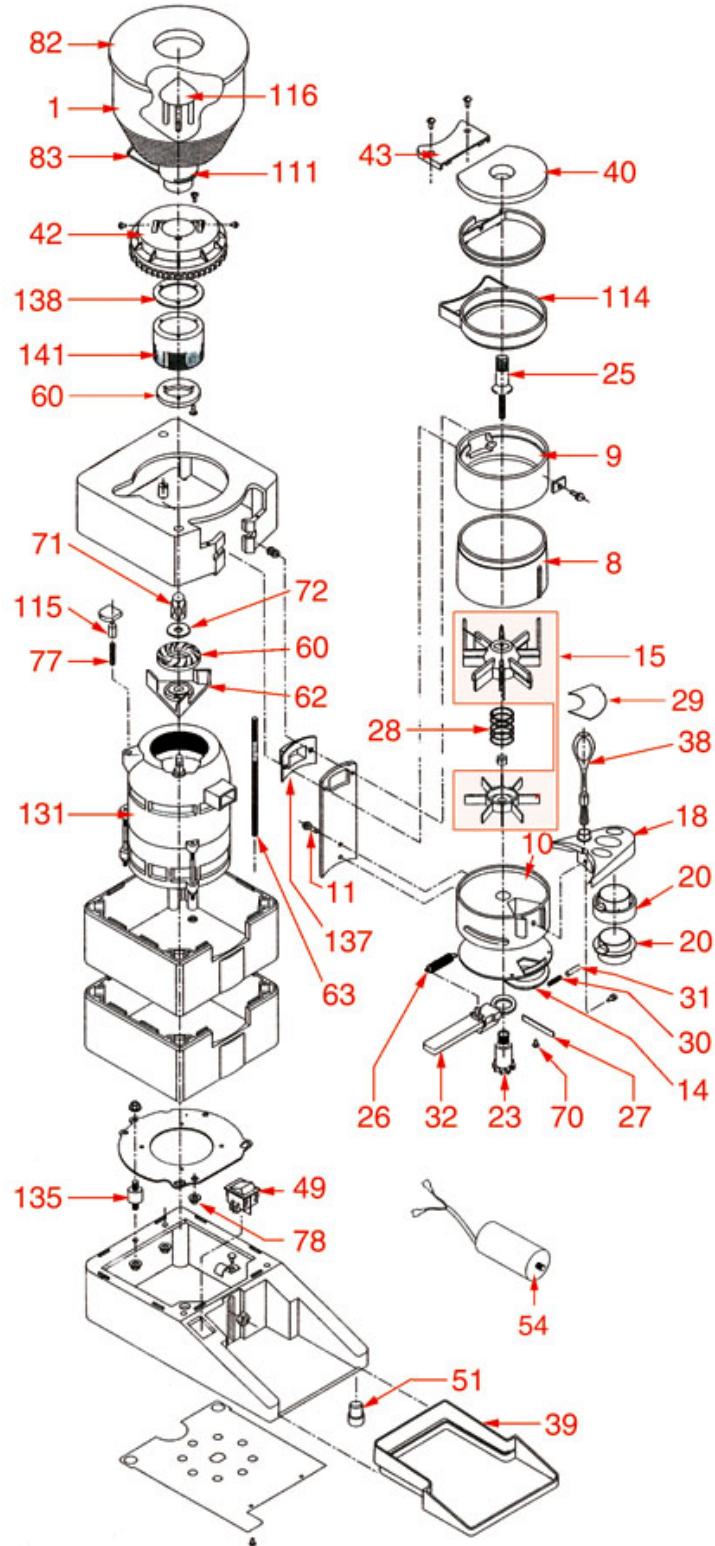
Position	LF code no.	Description
2	1080932	COMPLETE COFFEE HOPPER 2 kg
7	1252201	DOSER CYLINDER 600 gr
9	1252203	DOSER CYLINDER
14	1252205	DOSER BOTTOM LID
15	1343021	STAR ASSEMBLY
18	1385912	COFFEE TAMPER ASSEMBLY
20	1385913	COFFEE TAMPER
23	1252206	PAWL RH
25	1252208	ADJUSTMENT SCREW
26	1252209	DOSER LEVER RETURN SPRING
27	1252210	DOSER PIN
28	1252211	STAR SPRING
30	1250971	LEVER PIN SPRING
31	1252213	LEVER PIN
32	1252214	DOSER LEVER
39	1252216	COFFEE COLLECTION TRAY
40	1252217	DOSER LID
42	1252256	ADJUSTMENT RING
43	1252220	MICROSWITCH LID
45	1252221	PLASTIC RING WITH FLAP
49	1319935	GREEN BIPOLAR SWITCH 15A 250V
51	1313916	RUBBER FOOT
61	1251128	GRINDING BURRS CUNILL (PAIR) LEFT
62	1252224	GRINDING BURRS BOTTOM HOLDER
77	1250972	CONTROL SPRING
82	1252234	COFFEE HOPPER LID ø 200 mm
83	1252244	COFFEE HOPPER FILLER
111	1252244	COFFEE HOPPER FILLER
114	1252245	ADDITIONAL DOSER CYLINDER
115	1252246	SPRING ADJUSTMENT PIN
116	1252247	COFFEE HOPPER INNER PROTECTION
135	1252250	SHOCK ABSORBER GRINDER/DOSER CUNILL
137	1252252	GASKET FOR COFFEE OUTLET OPENING
138	1252253	ADJUSTMENT RING RUBBER GASKET





## JAMAICA

### JAMAICA







# CUNILL

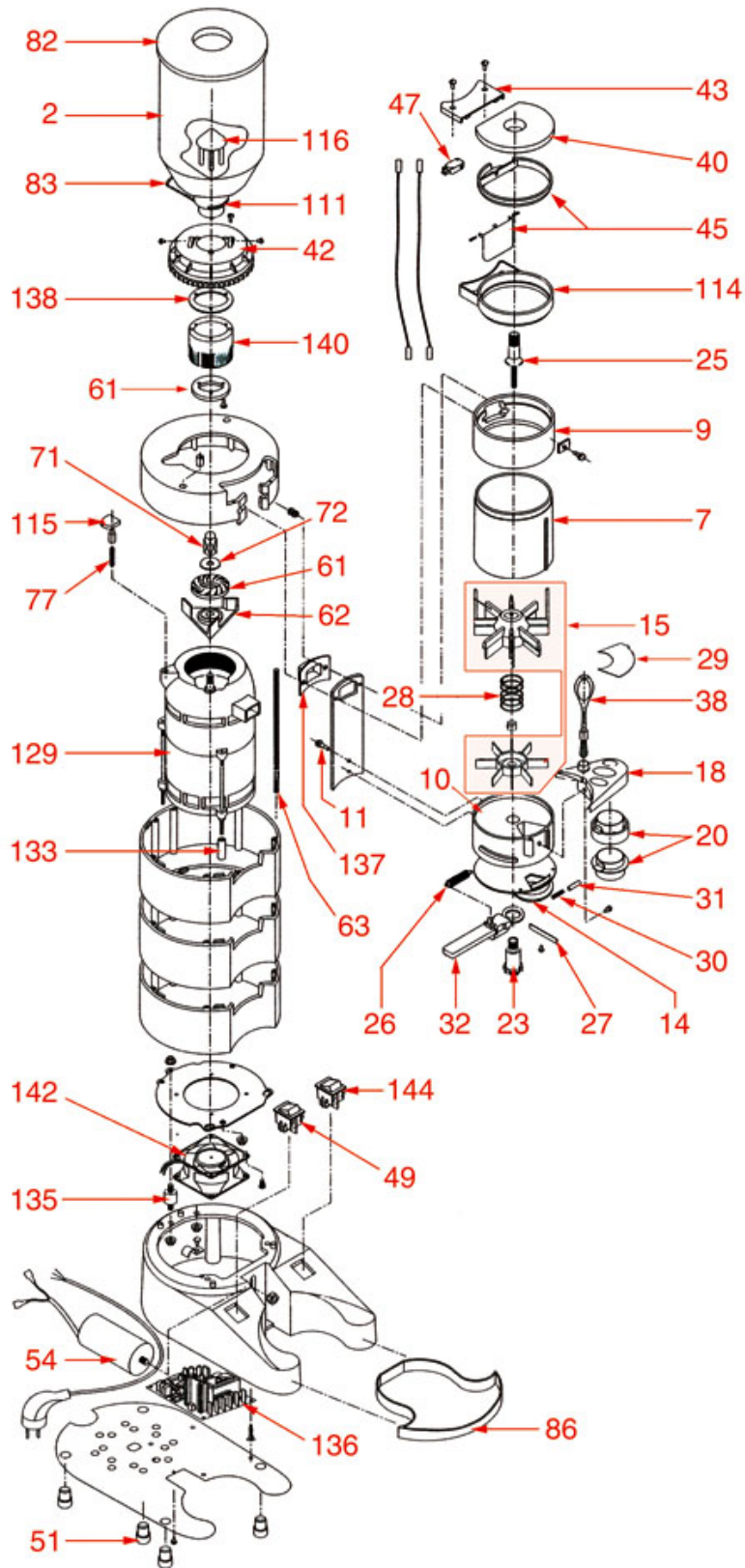


Position	LF code no.	Description
1	1080931	COMPLETE COFFEE HOPPER 1 kg
8	1252202	DOSER CYLINDER 300 gr
9	1252203	DOSER CYLINDER
14	1252205	DOSER BOTTOM LID
15	1343021	STAR ASSEMBLY
18	1385912	COFFEE TAMPER ASSEMBLY
20	1385913	COFFEE TAMPER
23	1252206	PAWL RH
25	1252208	ADJUSTMENT SCREW
26	1252209	DOSER LEVER RETURN SPRING
27	1252210	DOSER PIN
28	1252211	STAR SPRING
30	1250971	LEVER PIN SPRING
31	1252213	LEVER PIN
32	1252214	DOSER LEVER
39	1252216	COFFEE COLLECTION TRAY
40	1252217	DOSER LID
42	1252256	ADJUSTMENT RING
43	1252220	MICROSWITCH LID
49	1319935	GREEN BIPOLAR SWITCH 15A 250V
51	1313916	RUBBER FOOT
60	1251634	GRINDING BURRS CUNILL (PAIR) LEFT
62	1252224	GRINDING BURRS BOTTOM HOLDER
77	1250972	CONTROL SPRING
82	1252234	COFFEE HOPPER LID $\varnothing$ 200 mm
83	1252244	COFFEE HOPPER FILLER
111	1252244	COFFEE HOPPER FILLER
114	1252245	ADDITIONAL DOSER CYLINDER
115	1252246	SPRING ADJUSTMENT PIN
116	1252247	COFFEE HOPPER INNER PROTECTION
135	1252250	SHOCK ABSORBER GRINDER/DOSER CUNILL
137	1252252	GASKET FOR COFFEE OUTLET OPENING
138	1252253	ADJUSTMENT RING RUBBER GASKET



## BIMOTOR

### BIMOTOR





# CUNILL

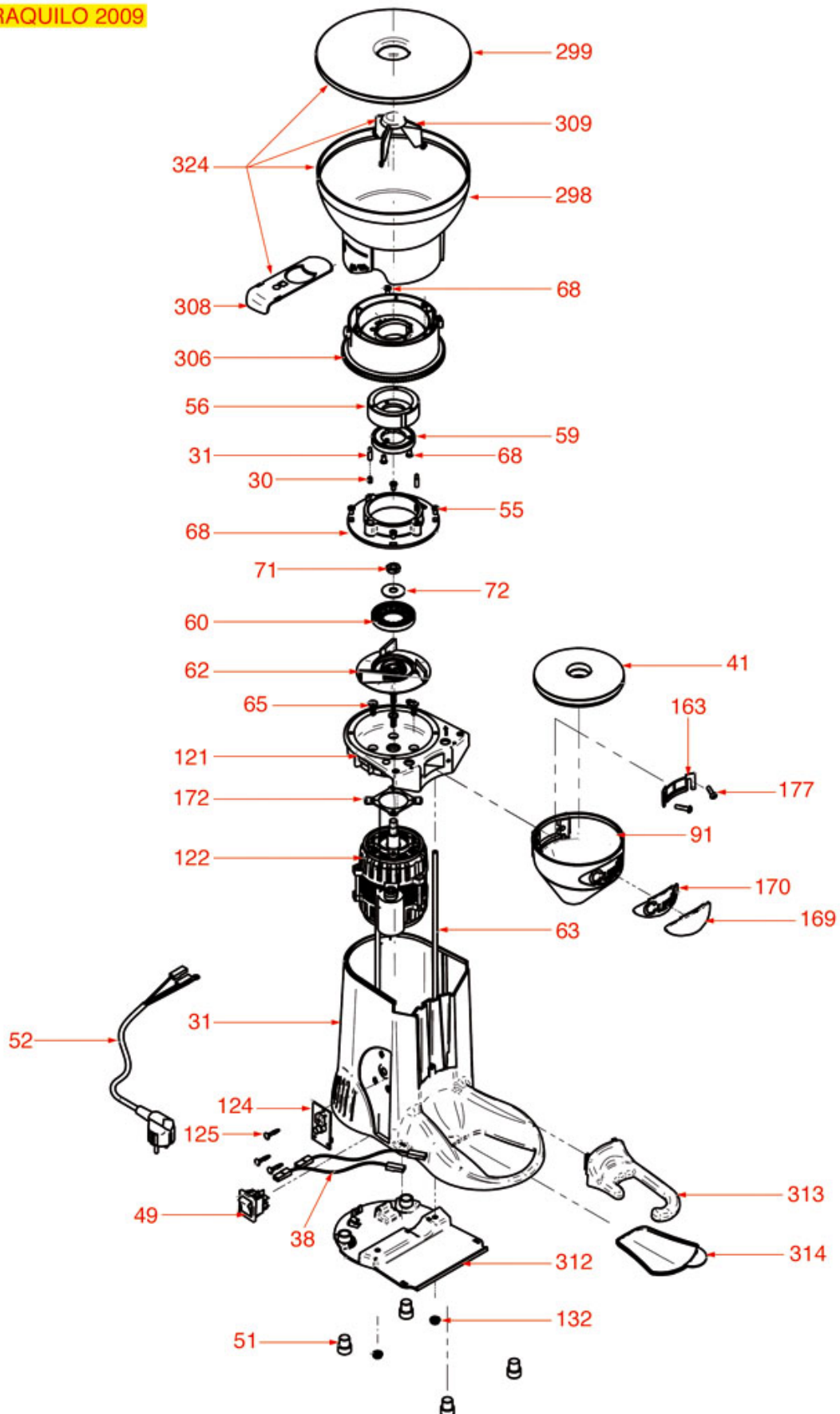


Position	LF code no.	Description
2	1080932	COMPLETE COFFEE HOPPER 2 kg
7	1252201	DOSER CYLINDER 600 gr
9	1252203	DOSER CYLINDER
14	1252205	DOSER BOTTOM LID
15	1343021	STAR ASSEMBLY
18	1385912	COFFEE TAMPER ASSEMBLY
20	1385913	COFFEE TAMPER
23	1252206	PAWL RH
25	1252208	ADJUSTMENT SCREW
26	1252209	DOSER LEVER RETURN SPRING
27	1252210	DOSER PIN
28	1252211	STAR SPRING
30	1250971	LEVER PIN SPRING
31	1252213	LEVER PIN
32	1252214	DOSER LEVER
40	1252217	DOSER LID
42	1252256	ADJUSTMENT RING
43	1252220	MICROSWITCH LID
45	1252221	PLASTIC RING WITH FLAP
47	3240123	MICROSWITCH 16A 250V
49	1319935	GREEN BIPOLAR SWITCH 15A 250V
51	1313916	RUBBER FOOT
61	1251128	GRINDING BURRS CUNILL (PAIR) LEFT
62	1252224	GRINDING BURRS BOTTOM HOLDER
77	1250972	CONTROL SPRING
82	1252234	COFFEE HOPPER LID $\varnothing$ 200 mm
83	1252244	COFFEE HOPPER FILLER
86	1252235	COFFEE COLLECTING TRAY
111	1252244	COFFEE HOPPER FILLER
114	1252245	ADDITIONAL DOSER CYLINDER
115	1252246	SPRING ADJUSTMENT PIN
116	1252247	COFFEE HOPPER INNER PROTECTION
135	1252250	SHOCK ABSORBER GRINDER/DOSER CUNILL
137	1252252	GASKET FOR COFFEE OUTLET OPENING
138	1252253	ADJUSTMENT RING RUBBER GASKET
142	1240961	AXIAL VENTILATOR 80x80x38 mm
144	1319933	DOUBLE PUSH-BUTTON 16A 250V



COFFEE GRINDER CAFE TRANQUILO 2009

CAFE TRAQUILO 2009





# CUNILL

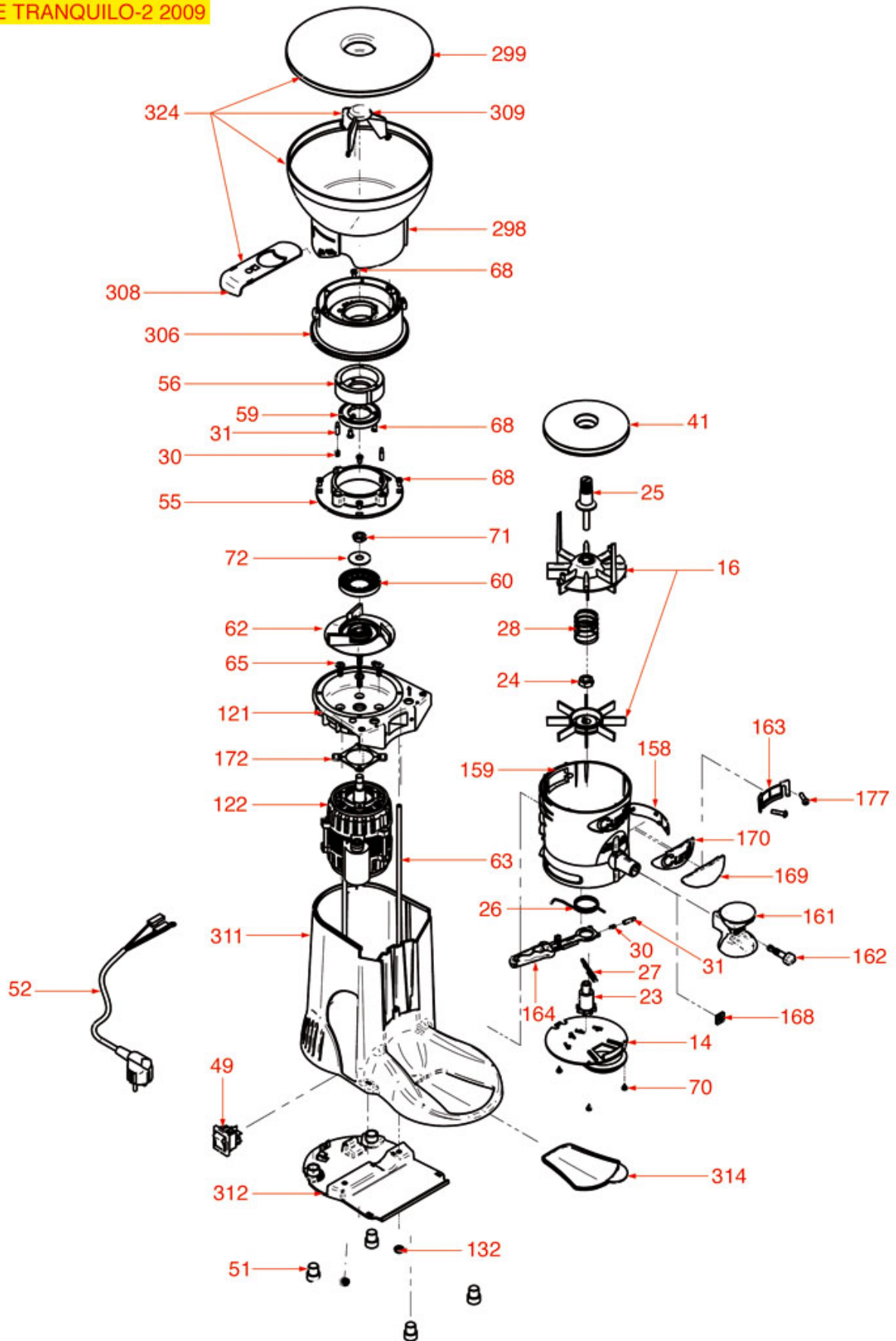


Position	LF code no.	Description
30	1250971	LEVER PIN SPRING
31	1252213	LEVER PIN
41	1252218	DOSER LID
49	1319935	GREEN BIPOLAR SWITCH 15A 250V
51	1313916	RUBBER FOOT
56	1251126	GRINDING BURRS TOP HOLDER
59	1251634	GRINDING BURRS CUNILL (PAIR) LEFT
60	1251634	GRINDING BURRS CUNILL (PAIR) LEFT
62	1251127	GRINDING BURRS BOTTOM HOLDER
68	1528048	SCREW T.C. M5x8 mm
124	1252248	PRINTED CIRCUIT BOARD 0-5 SECONDS
306	1252453	ADJUSTMENT RING NUT
308	1080091	COFFEE CONTAINER CLOSING SHEET
313	1162015	FILTER HOLDER FORK
314	1252452	COFFEE COLLECTING TRAY
324	1080087	COMPLETE COFFEE HOPPER



GRINDER ASSEMBLY CAFE TRANQUILO-2 2009

CAFE TRANQUILO-2 2009





# CUNILL



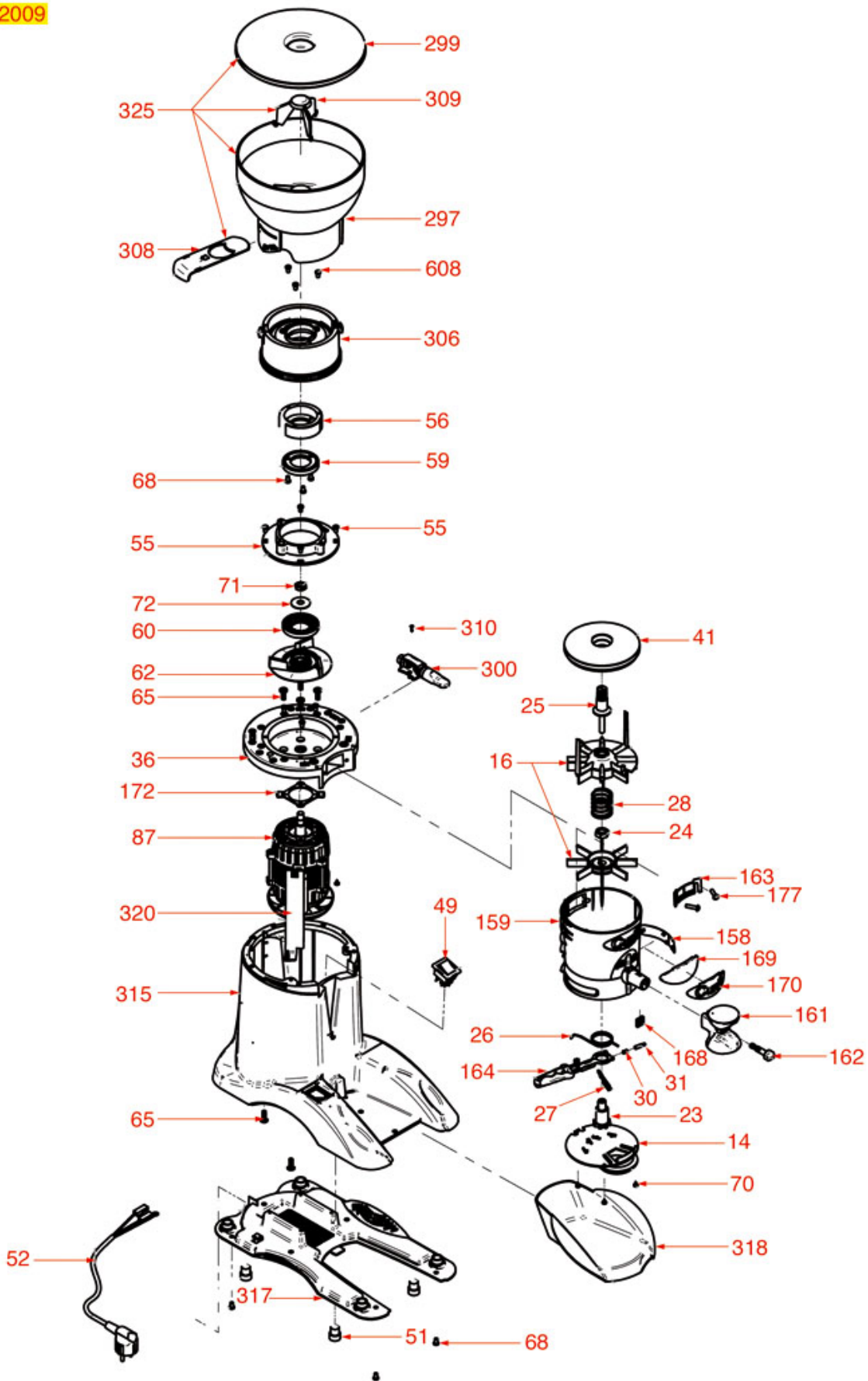
Position	LF code no.	Description
14	1252205	DOSER BOTTOM LID
16	1343021	STAR ASSEMBLY
23	1252206	PAWL RH
24	3090078	HEXAGONAL NUT NORMAL M12 UNI 5588
25	1252208	ADJUSTMENT SCREW
26	1250193	DOSER LEVER RETURN SPRING
27	1252210	DOSER PIN
28	1252211	STAR SPRING
30	1250971	LEVER PIN SPRING
31	1252213	LEVER PIN
41	1252218	DOSER LID
49	1319935	GREEN BIPOLAR SWITCH 15A 250V
51	1313916	RUBBER FOOT
56	1251126	GRINDING BURRS TOP HOLDER
59	1251634	GRINDING BURRS CUNILL (PAIR) LEFT
60	1251634	GRINDING BURRS CUNILL (PAIR) LEFT
62	1251127	GRINDING BURRS BOTTOM HOLDER
68	1528048	SCREW T.C. M5x8 mm
159	1090023	DOSER CYLINDER 300 gr
161	1385017	COFFEE TAMPER $\varnothing$ 51/56 mm
164	1225029	DOSER LEVER
306	1252453	ADJUSTMENT RING NUT
308	1080091	COFFEE CONTAINER CLOSING SHEET
314	1252452	COFFEE COLLECTING TRAY
324	1080087	COMPLETE COFFEE HOPPER





## GRINDER ASSEMBLY BRASIL 2009

BRASIL 2009





# CUNILL

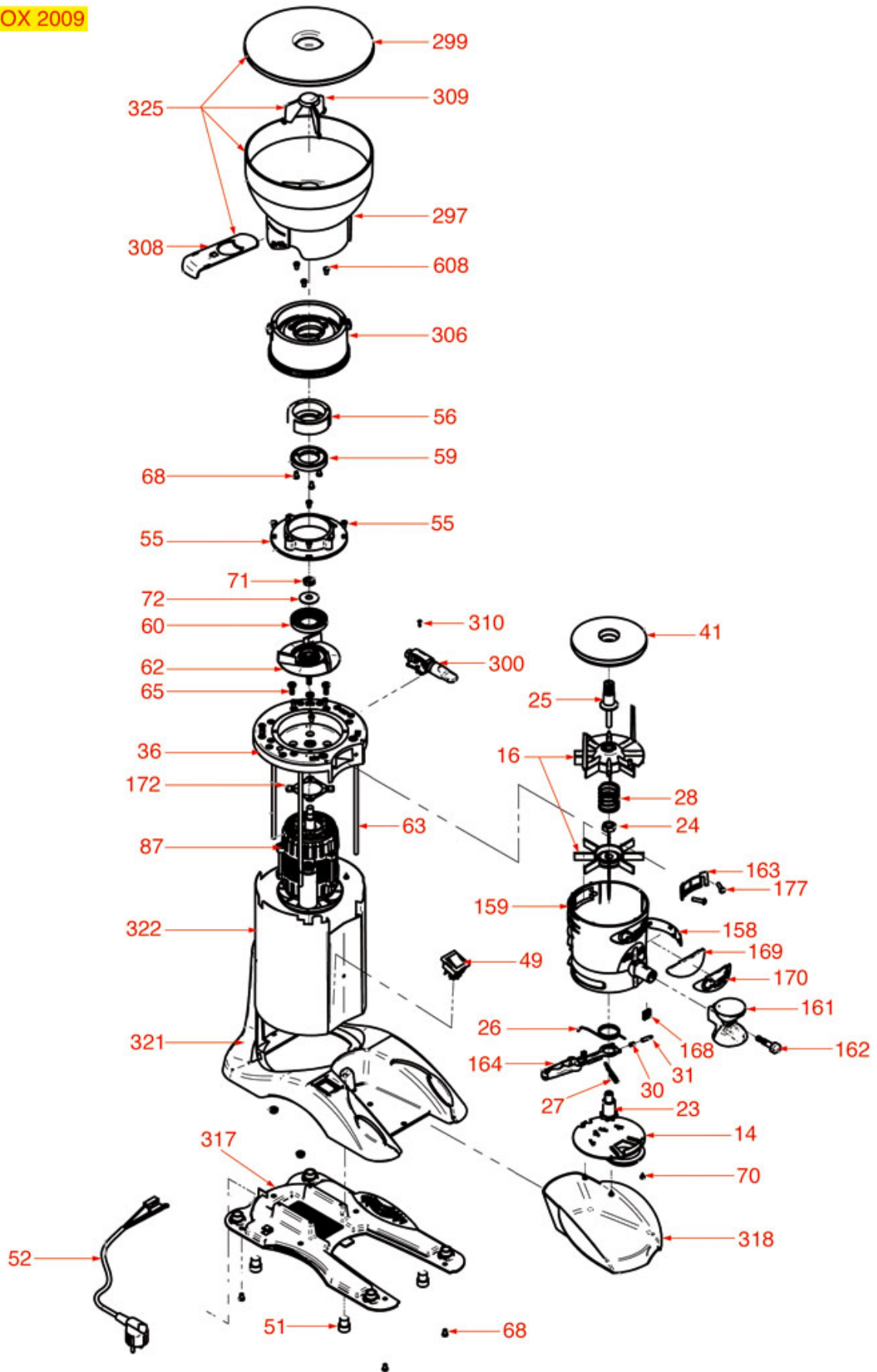


Position	LF code no.	Description
14	1252205	DOSER BOTTOM LID
16	1343021	STAR ASSEMBLY
23	1252206	PAWL RH
24	3090078	HEXAGONAL NUT NORMAL M12 UNI 5588
25	1252208	ADJUSTMENT SCREW
26	1250193	DOSER LEVER RETURN SPRING
27	1252210	DOSER PIN
28	1252211	STAR SPRING
30	1250971	LEVER PIN SPRING
31	1252213	LEVER PIN
41	1252218	DOSER LID
49	1319935	GREEN BIPOLAR SWITCH 15A 250V
51	1313916	RUBBER FOOT
56	1251126	GRINDING BURRS TOP HOLDER
59	1251634	GRINDING BURRS CUNILL (PAIR) LEFT
60	1251634	GRINDING BURRS CUNILL (PAIR) LEFT
62	1251127	GRINDING BURRS BOTTOM HOLDER
68	1528048	SCREW T.C. M5x8 mm
159	1090023	DOSER CYLINDER 300 gr
161	1385017	COFFEE TAMPER $\varnothing$ 51/56 mm
164	1225029	DOSER LEVER
306	1252453	ADJUSTMENT RING NUT
308	1080091	COFFEE CONTAINER CLOSING SHEET
318	1260002	COFFEE COLLECTING TRAY
325	1080088	COMPLETE COFFEE HOPPER



GRINDER ASSEMBLY BRASIL INOX 2009

BRASIL INOX 2009





# CUNILL

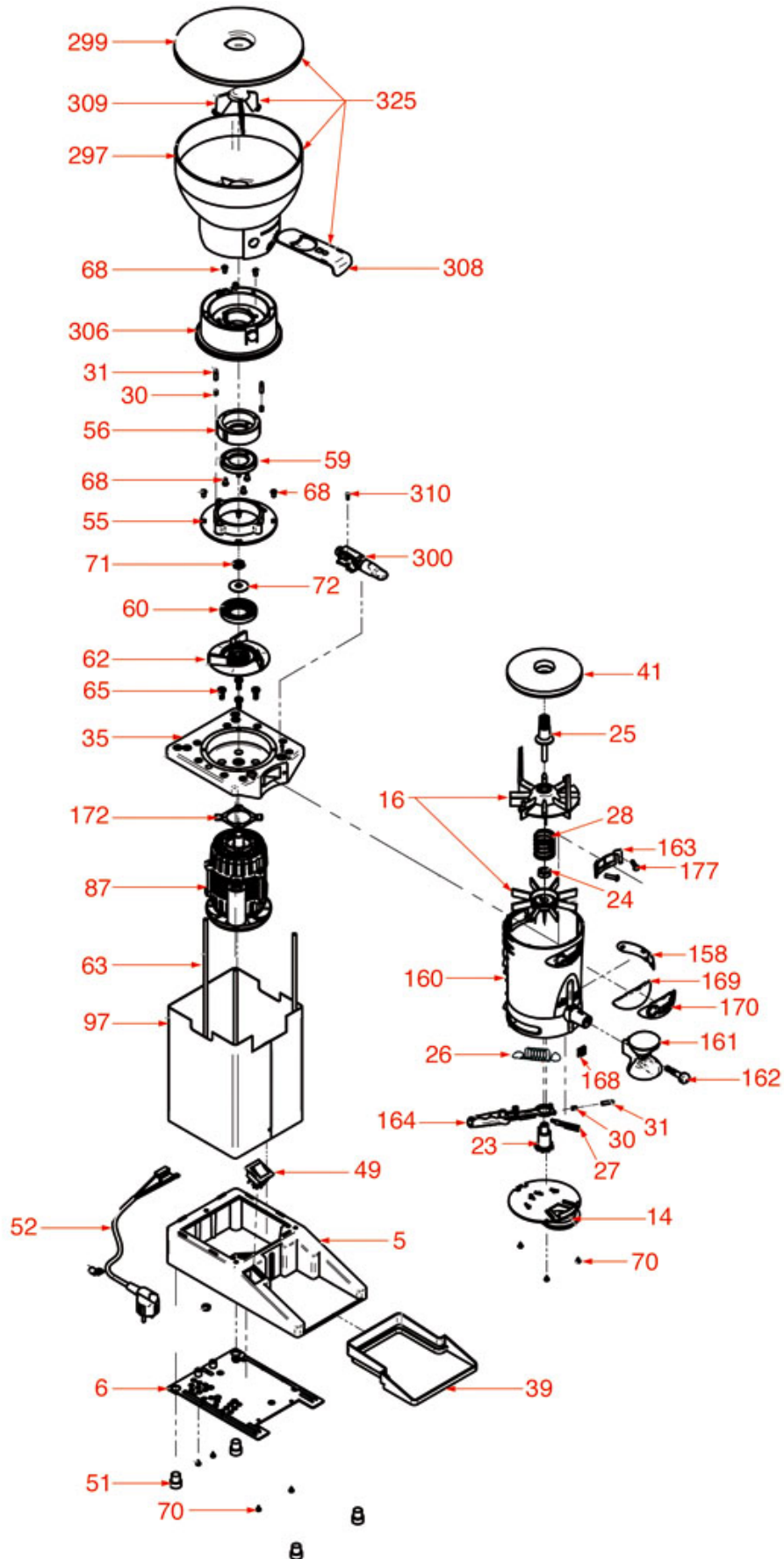


Position	LF code no.	Description
14	1252205	DOSER BOTTOM LID
16	1343021	STAR ASSEMBLY
23	1252206	PAWL RH
24	3090078	HEXAGONAL NUT NORMAL M12 UNI 5588
25	1252208	ADJUSTMENT SCREW
26	1250193	DOSER LEVER RETURN SPRING
27	1252210	DOSER PIN
28	1252211	STAR SPRING
30	1250971	LEVER PIN SPRING
31	1252213	LEVER PIN
41	1252218	DOSER LID
49	1319935	GREEN BIPOLAR SWITCH 15A 250V
51	1313916	RUBBER FOOT
56	1251126	GRINDING BURRS TOP HOLDER
59	1251634	GRINDING BURRS CUNILL (PAIR) LEFT
60	1251634	GRINDING BURRS CUNILL (PAIR) LEFT
62	1251127	GRINDING BURRS BOTTOM HOLDER
68	1528048	SCREW T.C. M5x8 mm
159	1090023	DOSER CYLINDER 300 gr
161	1385017	COFFEE TAMPER $\varnothing$ 51/56 mm
164	1225029	DOSER LEVER
306	1252453	ADJUSTMENT RING NUT
308	1080091	COFFEE CONTAINER CLOSING SHEET
318	1260002	COFFEE COLLECTING TRAY
325	1080088	COMPLETE COFFEE HOPPER



GRINDER ASSEMBLY TAURO 2009

TAURO 2009





# CUNILL



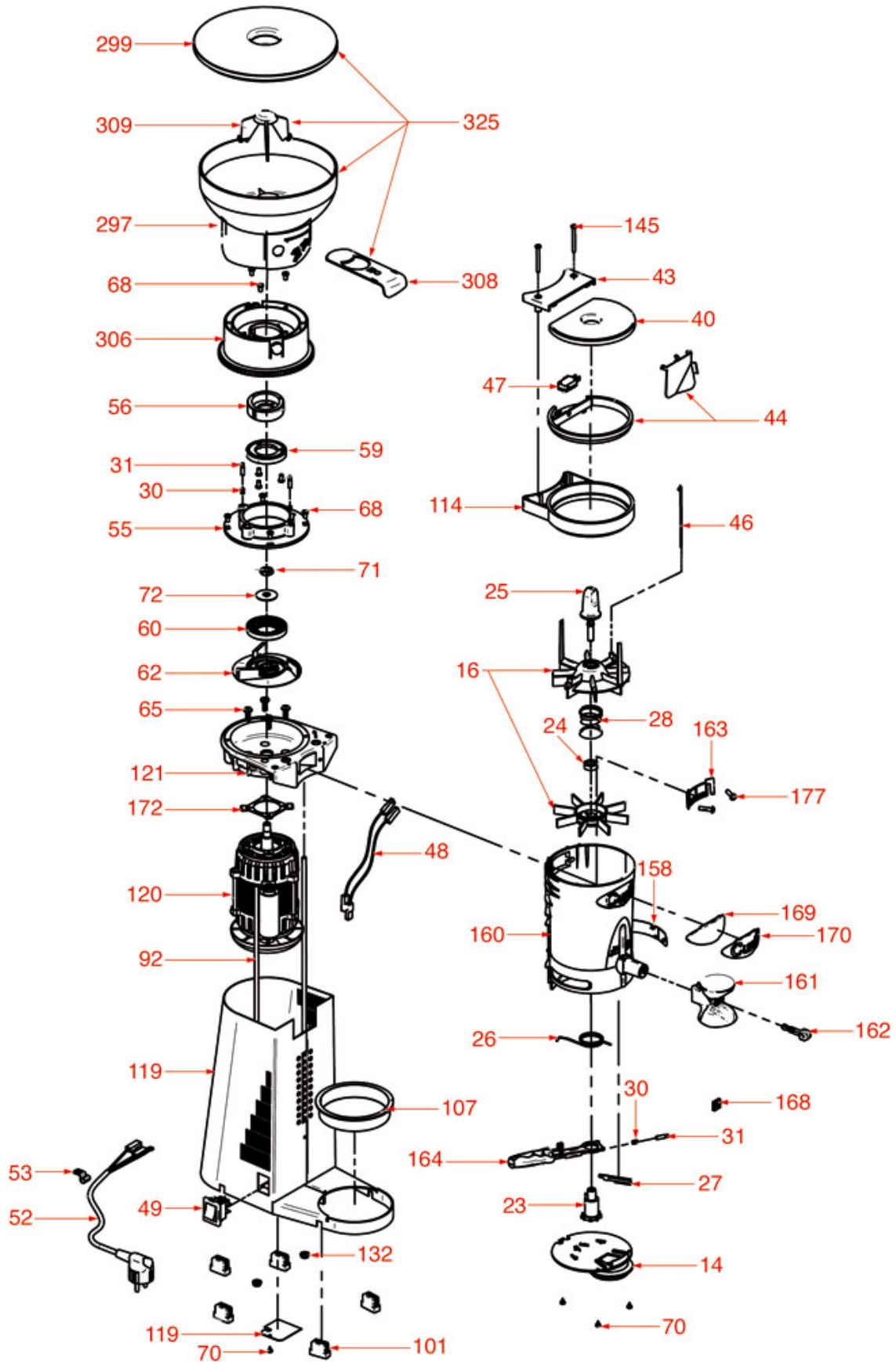
Position	LF code no.	Description
14	1252205	DOSER BOTTOM LID
16	1343021	STAR ASSEMBLY
23	1252206	PAWL RH
24	3090078	HEXAGONAL NUT NORMAL M12 UNI 5588
25	1252208	ADJUSTMENT SCREW
26	1252209	DOSER LEVER RETURN SPRING
27	1252210	DOSER PIN
28	1252211	STAR SPRING
30	1250971	LEVER PIN SPRING
31	1252213	LEVER PIN
39	1252216	COFFEE COLLECTION TRAY
41	1252218	DOSER LID
49	1319935	GREEN BIPOLAR SWITCH 15A 250V
51	1313916	RUBBER FOOT
56	1251126	GRINDING BURRS TOP HOLDER
59	1251634	GRINDING BURRS CUNILL (PAIR) LEFT
60	1251634	GRINDING BURRS CUNILL (PAIR) LEFT
62	1251127	GRINDING BURRS BOTTOM HOLDER
68	1528048	SCREW T.C. M5x8 mm
160	1090024	DOSER CYLINDER 600 gr
161	1385017	COFFEE TAMPER ø 51/56 mm
164	1225029	DOSER LEVER
306	1252453	ADJUSTMENT RING NUT
308	1080091	COFFEE CONTAINER CLOSING SHEET
325	1080088	COMPLETE COFFEE HOPPER





GRINDER ASSEMBLY FULL METAL AUTO 2009

FULL METAL AUTO 2009





# CUNILL

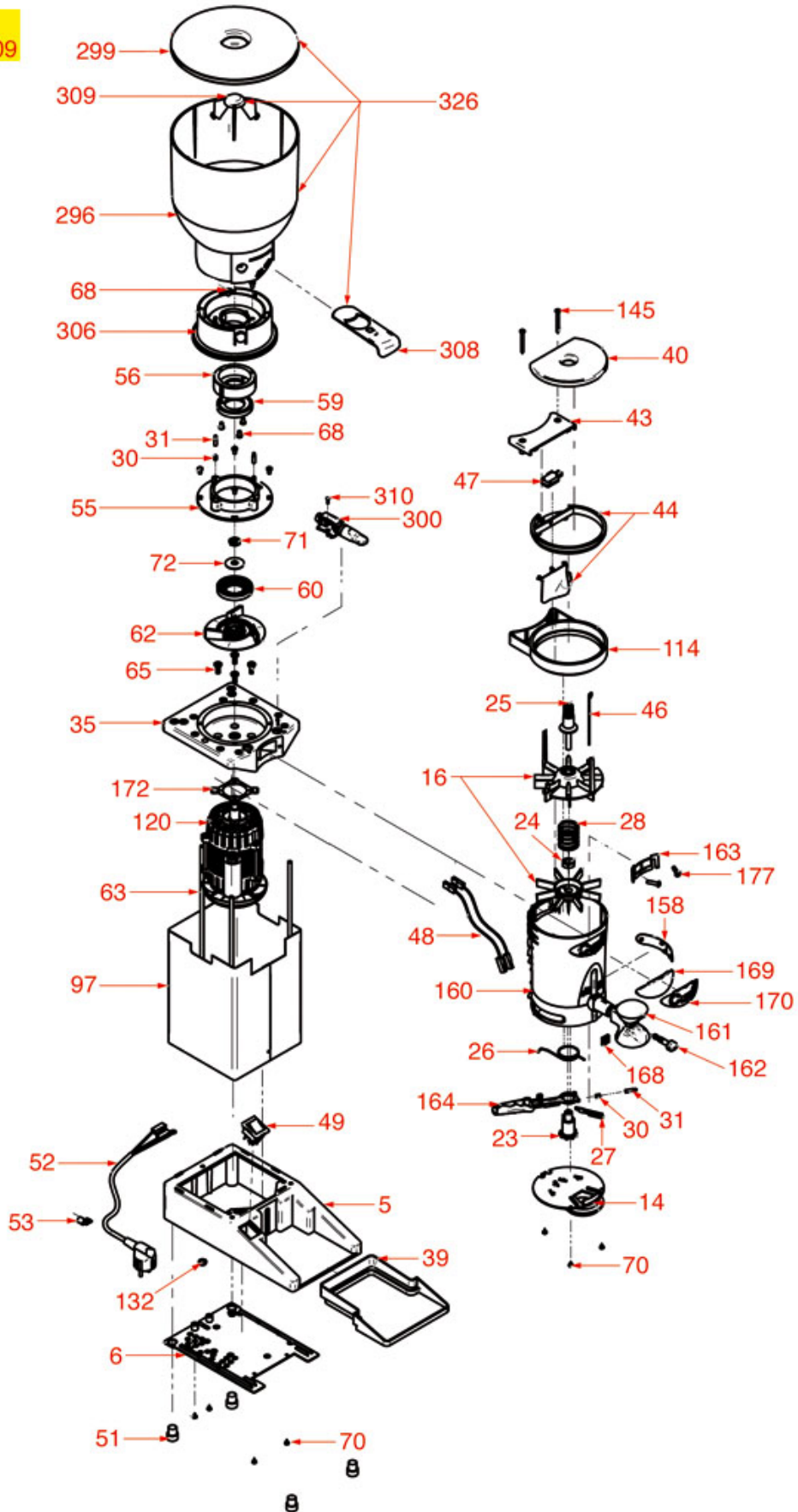


Position	LF code no.	Description
14	1252205	DOSER BOTTOM LID
16	1343021	STAR ASSEMBLY
23	1252206	PAWL RH
24	3090078	HEXAGONAL NUT NORMAL M12 UNI 5588
25	1252208	ADJUSTMENT SCREW
26	1250193	DOSER LEVER RETURN SPRING
27	1252210	DOSER PIN
28	1252211	STAR SPRING
30	1250971	LEVER PIN SPRING
31	1252213	LEVER PIN
40	1252217	DOSER LID
43	1252220	MICROSWITCH LID
44	1252221	PLASTIC RING WITH FLAP
47	3240123	MICROSWITCH 16A 250V
49	1319935	GREEN BIPOLAR SWITCH 15A 250V
59	1251634	GRINDING BURRS CUNILL (PAIR) LEFT
60	1251634	GRINDING BURRS CUNILL (PAIR) LEFT
62	1251127	GRINDING BURRS BOTTOM HOLDER
68	1528048	SCREW T.C. M5x8 mm
101	1313917	RECTANGULAR RUBBER FOOT
107	1252243	COFFEE COLLECTION TRAY
114	1252245	ADDITIONAL DOSER CYLINDER
160	1090024	DOSER CYLINDER 600 gr
161	1385017	COFFEE TAMPER ø 51/56 mm
164	1225029	DOSER LEVER
306	1252453	ADJUSTMENT RING NUT
308	1080091	COFFEE CONTAINER CLOSING SHEET
325	1080088	COMPLETE COFFEE HOPPER



GRINDER ASSY SPACE INOX AUTOMATIC 2009

SPACE INOX  
AUTOMATIC 2009





# CUNILL

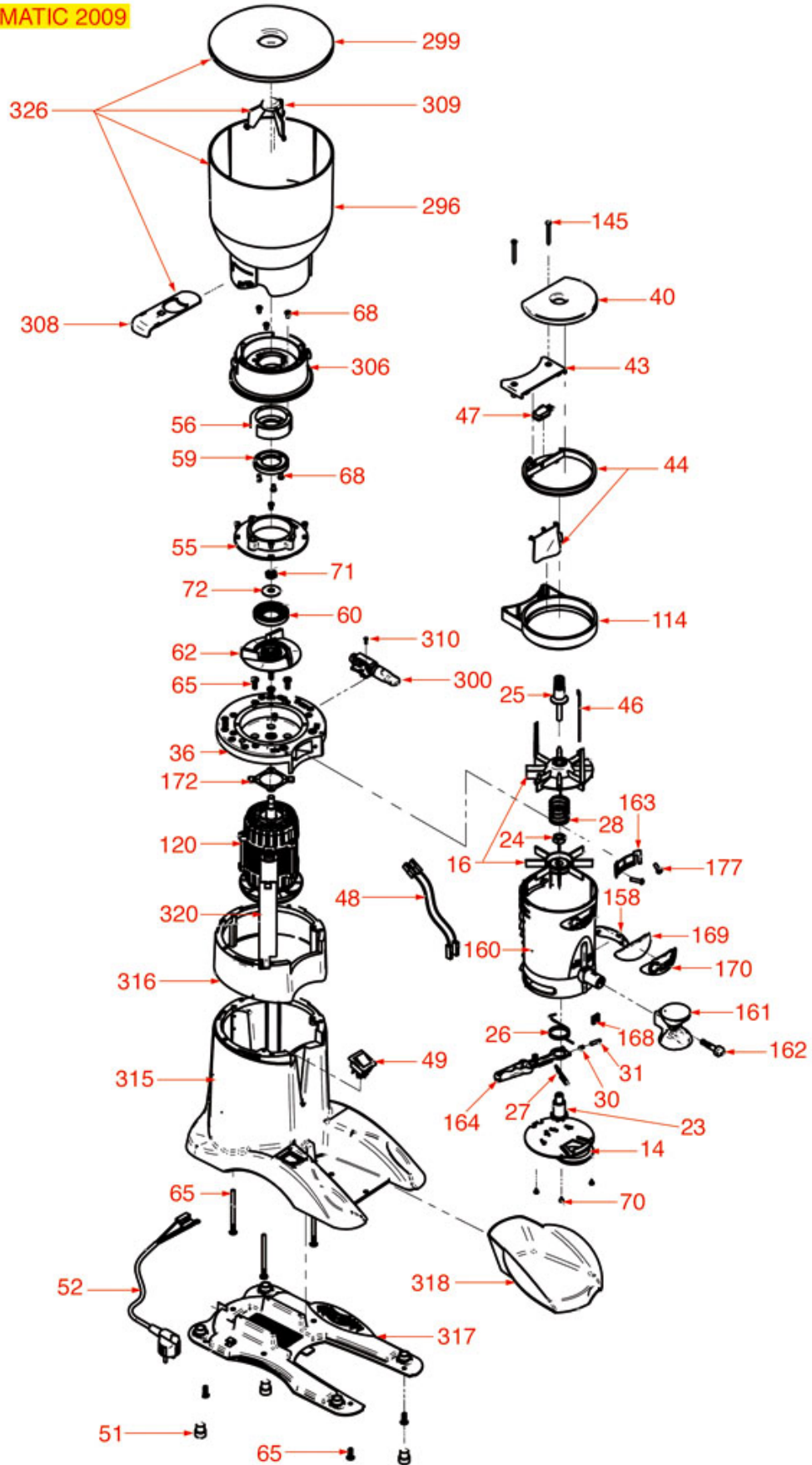


Position	LF code no.	Description
14	1252205	DOSER BOTTOM LID
16	1343021	STAR ASSEMBLY
23	1252206	PAWL RH
24	3090078	HEXAGONAL NUT NORMAL M12 UNI 5588
25	1252208	ADJUSTMENT SCREW
26	1250193	DOSER LEVER RETURN SPRING
27	1252210	DOSER PIN
28	1252211	STAR SPRING
30	1250971	LEVER PIN SPRING
31	1252213	LEVER PIN
39	1252216	COFFEE COLLECTION TRAY
40	1252217	DOSER LID
43	1252220	MICROSWITCH LID
44	1252221	PLASTIC RING WITH FLAP
47	3240123	MICROSWITCH 16A 250V
49	1319935	GREEN BIPOLAR SWITCH 15A 250V
51	1313916	RUBBER FOOT
56	1251126	GRINDING BURRS TOP HOLDER
59	1251634	GRINDING BURRS CUNILL (PAIR) LEFT
60	1251634	GRINDING BURRS CUNILL (PAIR) LEFT
62	1251127	GRINDING BURRS BOTTOM HOLDER
68	1528048	SCREW T.C. M5x8 mm
114	1252245	ADDITIONAL DOSER CYLINDER
160	1090024	DOSER CYLINDER 600 gr
161	1385017	COFFEE TAMPER ø 51/56 mm
164	1225029	DOSER LEVER
306	1252453	ADJUSTMENT RING NUT
308	1080091	COFFEE CONTAINER CLOSING SHEET
326	1080089	COMPLETE COFFEE HOPPER



GRINDER ASSEMBLY MARFIL AUTOMATIC 2009

MARFIL AUTOMATIC 2009





# CUNILL



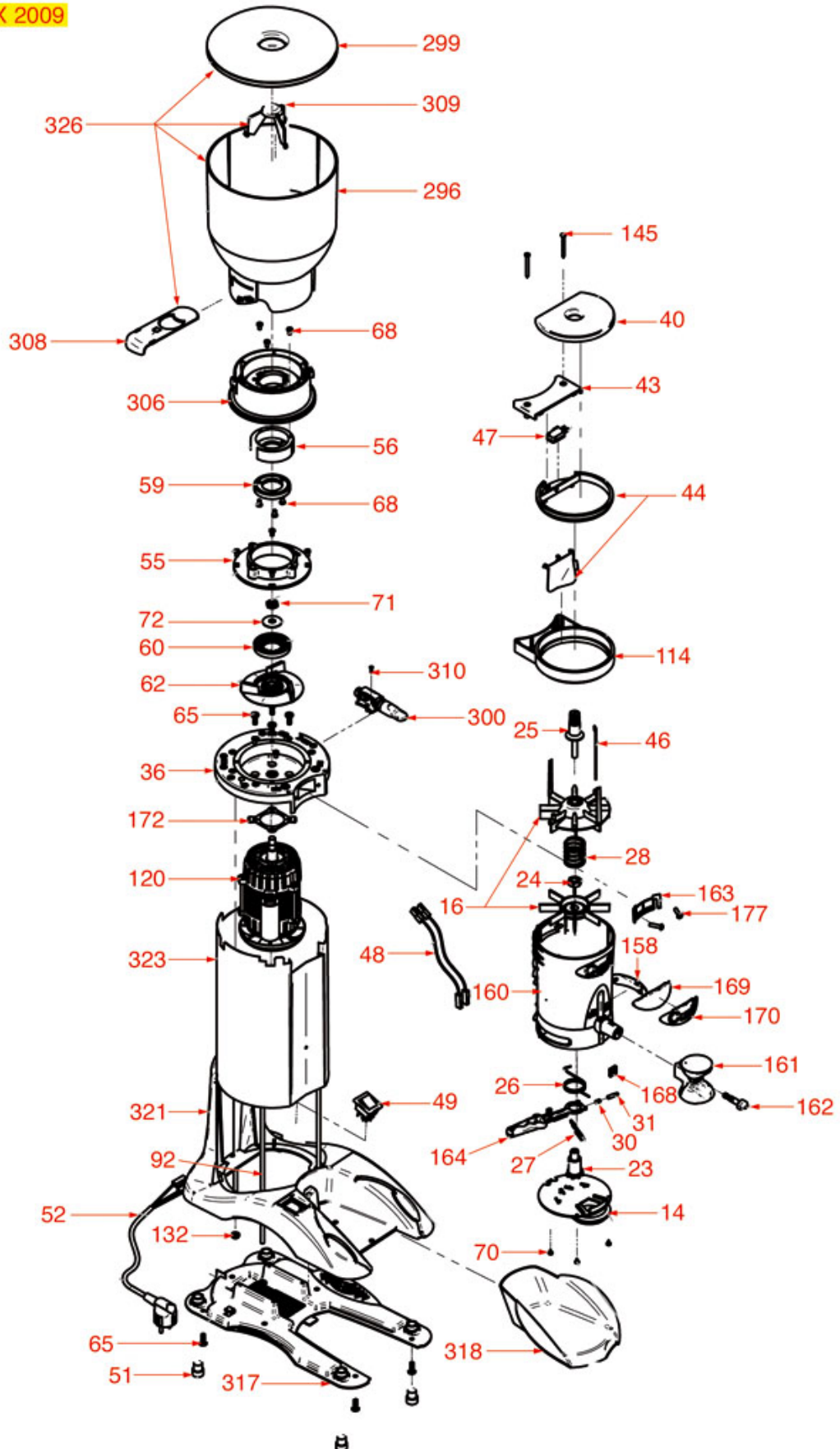
Position	LF code no.	Description
14	1252205	DOSER BOTTOM LID
16	1343021	STAR ASSEMBLY
23	1252206	PAWL RH
24	3090078	HEXAGONAL NUT NORMAL M12 UNI 5588
25	1252208	ADJUSTMENT SCREW
26	1250193	DOSER LEVER RETURN SPRING
27	1252210	DOSER PIN
28	1252211	STAR SPRING
30	1250971	LEVER PIN SPRING
31	1252213	LEVER PIN
40	1252217	DOSER LID
43	1252220	MICROSWITCH LID
44	1252221	PLASTIC RING WITH FLAP
47	3240123	MICROSWITCH 16A 250V
49	1319935	GREEN BIPOLAR SWITCH 15A 250V
51	1313916	RUBBER FOOT
56	1251126	GRINDING BURRS TOP HOLDER
59	1251634	GRINDING BURRS CUNILL (PAIR) LEFT
60	1251634	GRINDING BURRS CUNILL (PAIR) LEFT
62	1251127	GRINDING BURRS BOTTOM HOLDER
68	1528048	SCREW T.C. M5x8 mm
114	1252245	ADDITIONAL DOSER CYLINDER
160	1090024	DOSER CYLINDER 600 gr
161	1385017	COFFEE TAMPER ø 51/56 mm
164	1225029	DOSER LEVER
306	1252453	ADJUSTMENT RING NUT
308	1080091	COFFEE CONTAINER CLOSING SHEET
318	1260002	COFFEE COLLECTING TRAY
326	1080089	COMPLETE COFFEE HOPPER





GRINDER ASSEMBLY MARFIL AUTO INOX 2009

MARFIL INOX 2009







# CUNILL

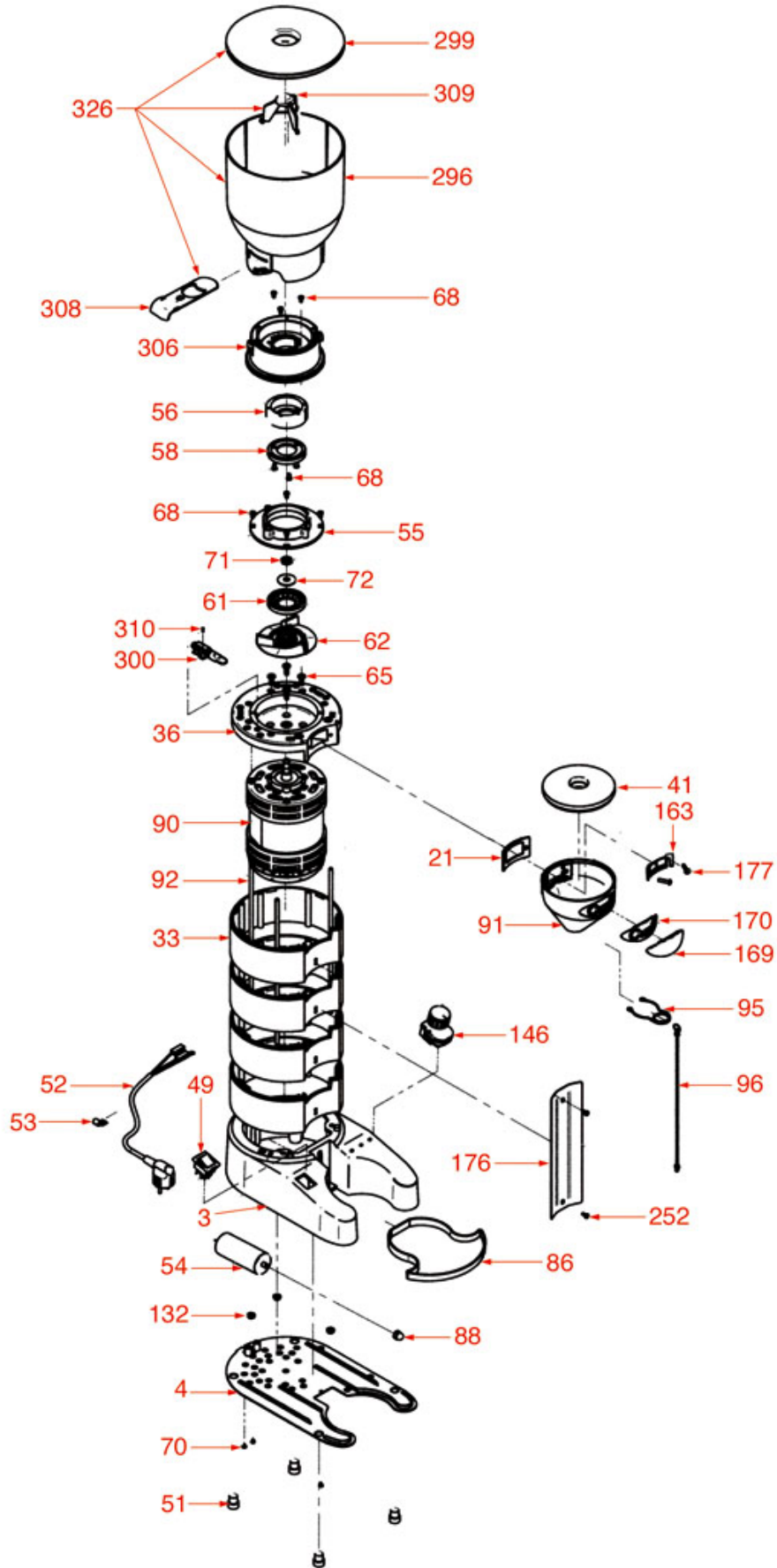


Position	LF code no.	Description
14	1252205	DOSER BOTTOM LID
16	1343021	STAR ASSEMBLY
23	1252206	PAWL RH
24	3090078	HEXAGONAL NUT NORMAL M12 UNI 5588
25	1252208	ADJUSTMENT SCREW
26	1250193	DOSER LEVER RETURN SPRING
27	1252210	DOSER PIN
28	1252211	STAR SPRING
30	1250971	LEVER PIN SPRING
31	1252213	LEVER PIN
40	1252217	DOSER LID
43	1252220	MICROSWITCH LID
44	1252221	PLASTIC RING WITH FLAP
47	3240123	MICROSWITCH 16A 250V
49	1319935	GREEN BIPOLAR SWITCH 15A 250V
51	1313916	RUBBER FOOT
56	1251126	GRINDING BURRS TOP HOLDER
59	1251634	GRINDING BURRS CUNILL (PAIR) LEFT
60	1251634	GRINDING BURRS CUNILL (PAIR) LEFT
62	1251127	GRINDING BURRS BOTTOM HOLDER
68	1528048	SCREW T.C. M5x8 mm
114	1252245	ADDITIONAL DOSER CYLINDER
160	1090024	DOSER CYLINDER 600 gr
161	1385017	COFFEE TAMPER ø 51/56 mm
164	1225029	DOSER LEVER
306	1252453	ADJUSTMENT RING NUT
308	1080091	COFFEE CONTAINER CLOSING SHEET
318	1260002	COFFEE COLLECTING TRAY
326	1080089	COMPLETE COFFEE HOPPER



COFFEE GRINDER MICHIGAN 2009

MICHIGAN





# CUNILL

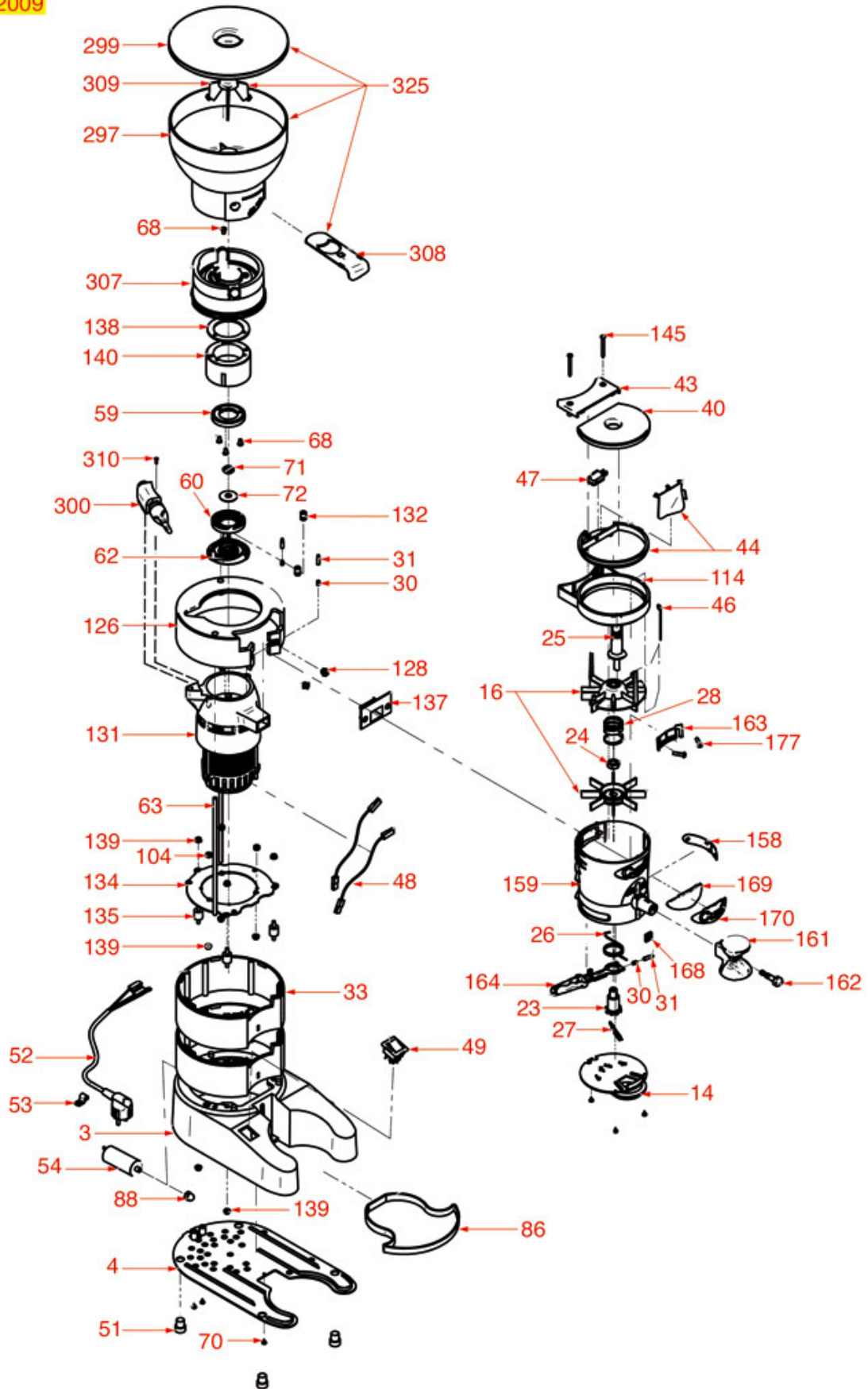


Position	LF code no.	Description
41	1252218	DOSER LID
49	1319935	GREEN BIPOLAR SWITCH 15A 250V
51	1313916	RUBBER FOOT
58	1251128	GRINDING BURRS CUNILL (PAIR) LEFT
61	1251128	GRINDING BURRS CUNILL (PAIR) LEFT
68	1528048	SCREW T.C. M5x8 mm
86	1252235	COFFEE COLLECTING TRAY
146	3446014	TIMER 15 MINUTES MTS49
306	1252453	ADJUSTMENT RING NUT
308	1080091	COFFEE CONTAINER CLOSING SHEET
326	1080089	COMPLETE COFFEE HOPPER



GRINDER ASSEMBLY UGANDA 2009

UGANDA 2009





# CUNILL

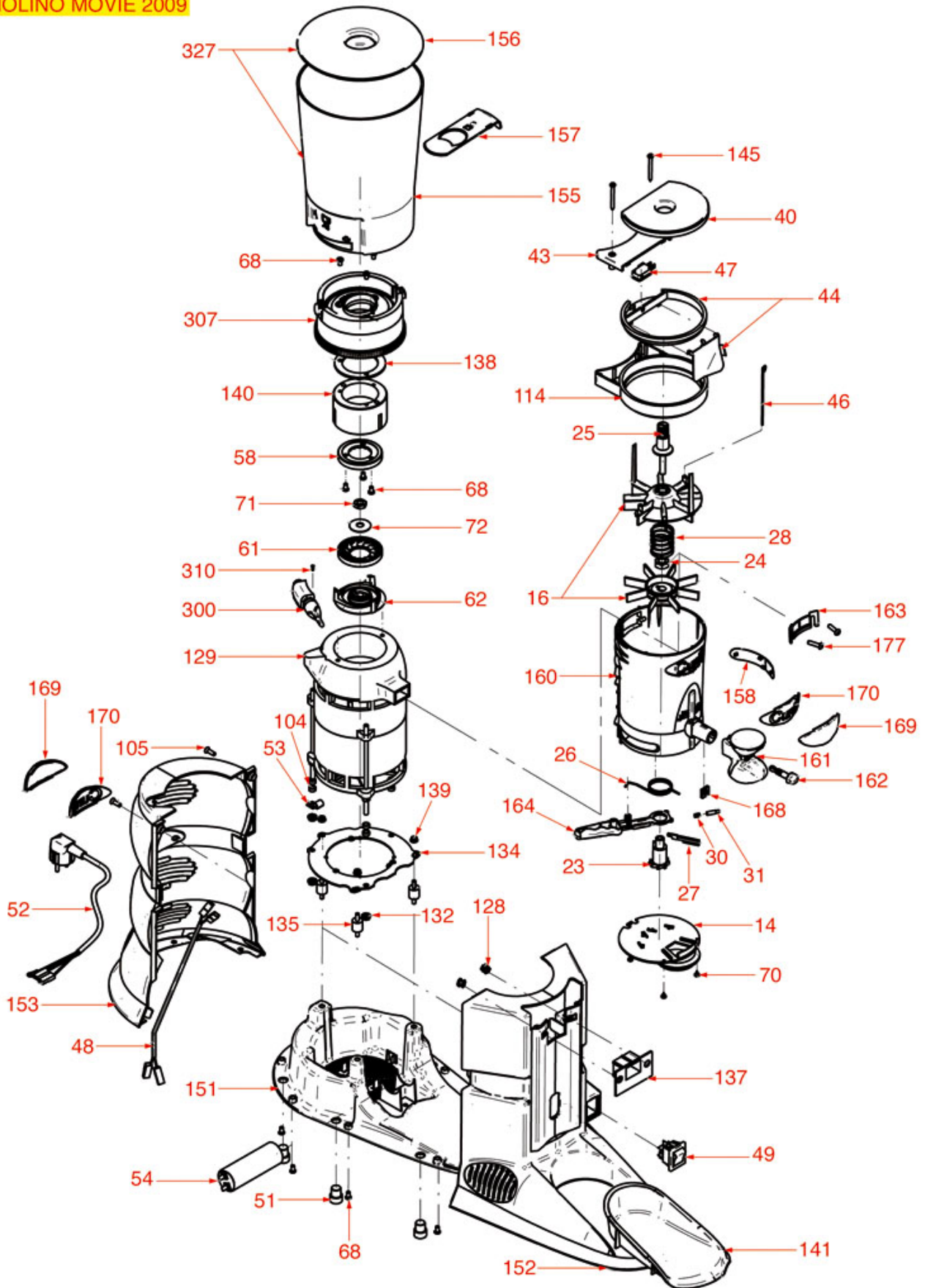


Position	LF code no.	Description
14	1252205	DOSER BOTTOM LID
16	1343021	STAR ASSEMBLY
23	1252206	PAWL RH
24	3090078	HEXAGONAL NUT NORMAL M12 UNI 5588
26	1250193	DOSER LEVER RETURN SPRING
27	1252210	DOSER PIN
28	1252211	STAR SPRING
30	1250971	LEVER PIN SPRING
31	1252213	LEVER PIN
40	1252217	DOSER LID
43	1252220	MICROSWITCH LID
44	1252221	PLASTIC RING WITH FLAP
49	1319935	GREEN BIPOLAR SWITCH 15A 250V
51	1313916	RUBBER FOOT
59	1251634	GRINDING BURRS CUNILL (PAIR) LEFT
60	1251634	GRINDING BURRS CUNILL (PAIR) LEFT
68	1528048	SCREW T.C. M5x8 mm
86	1252235	COFFEE COLLECTING TRAY
114	1252245	ADDITIONAL DOSER CYLINDER
135	1252250	SHOCK ABSORBER GRINDER/DOSER CUNILL
137	1252252	GASKET FOR COFFEE OUTLET OPENING
138	1252253	ADJUSTMENT RING RUBBER GASKET
159	1090023	DOSER CYLINDER 300 gr
161	1385017	COFFEE TAMPER ø 51/56 mm
164	1225029	DOSER LEVER
307	1252454	ADJUSTMENT RING NUT
308	1080091	COFFEE CONTAINER CLOSING SHEET
325	1080088	COMPLETE COFFEE HOPPER



GRINDER ASSEMBLY MOVIE 2009

MOLINO MOVIE 2009





# CUNILL



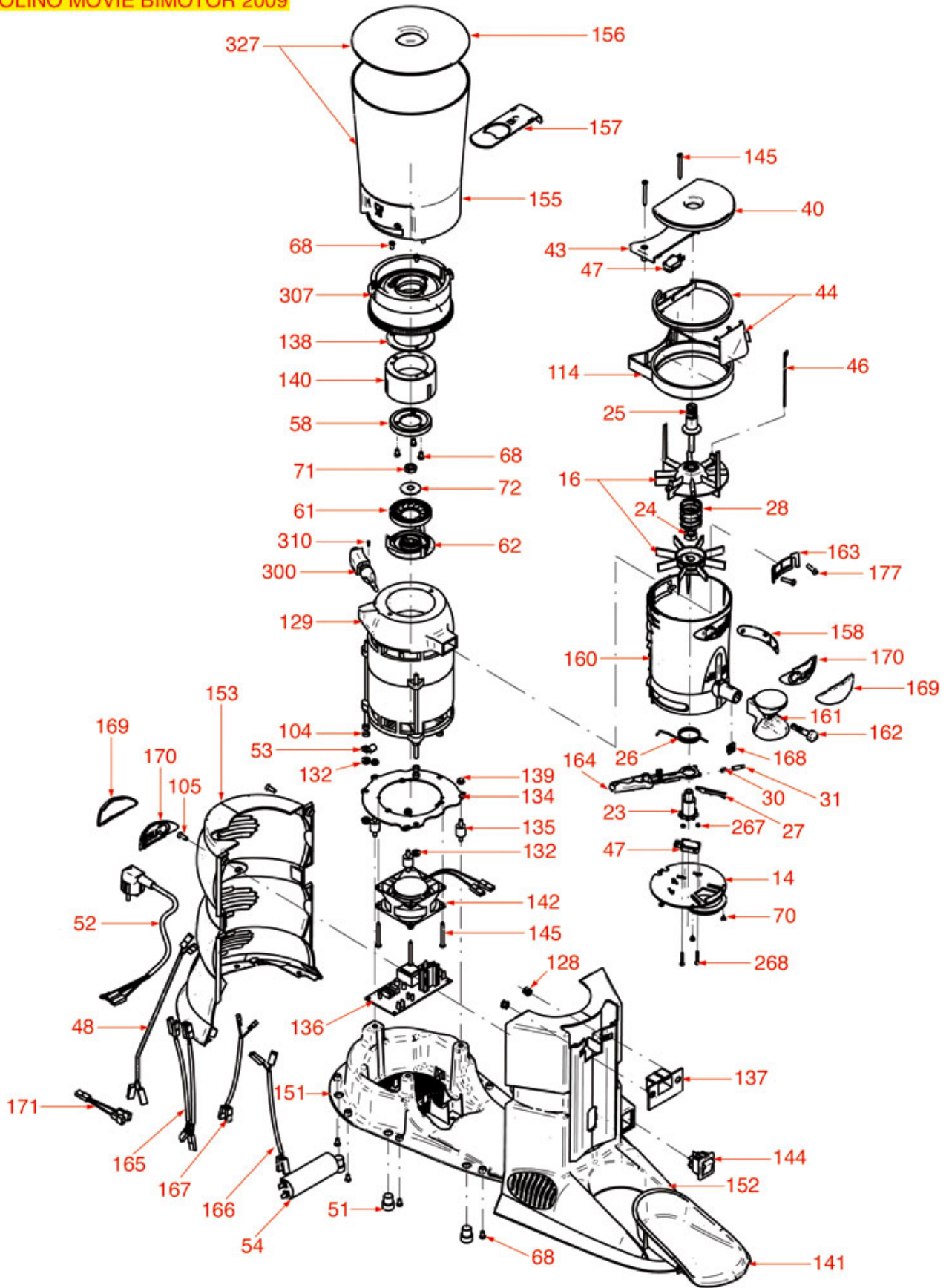
Position	LF code no.	Description
14	1252205	DOSER BOTTOM LID
16	1343021	STAR ASSEMBLY
23	1252206	PAWL RH
24	3090078	HEXAGONAL NUT NORMAL M12 UNI 5588
25	1252208	ADJUSTMENT SCREW
26	1250193	DOSER LEVER RETURN SPRING
27	1252210	DOSER PIN
28	1252211	STAR SPRING
30	1250971	LEVER PIN SPRING
31	1252213	LEVER PIN
40	1252217	DOSER LID
43	1252220	MICROSWITCH LID
44	1252221	PLASTIC RING WITH FLAP
47	3240123	MICROSWITCH 16A 250V
49	1319935	GREEN BIPOLAR SWITCH 15A 250V
51	1313916	RUBBER FOOT
58	1251128	GRINDING BURRS CUNILL (PAIR) LEFT
61	1251128	GRINDING BURRS CUNILL (PAIR) LEFT
68	1528048	SCREW T.C. M5x8 mm
114	1252245	ADDITIONAL DOSER CYLINDER
135	1252250	SHOCK ABSORBER GRINDER/DOSER CUNILL
137	1252252	GASKET FOR COFFEE OUTLET OPENING
138	1252253	ADJUSTMENT RING RUBBER GASKET
141	1260001	COFFEE COLLECTING TRAY
160	1090024	DOSER CYLINDER 600 gr
161	1385017	COFFEE TAMPER $\varnothing$ 51/56 mm
164	1225029	DOSER LEVER
307	1252454	ADJUSTMENT RING NUT
327	1080090	COMPLETE COFFEE HOPPER





GRINDER ASSEMBLY MOVIE BIMOTOR 2009

MOLINO MOVIE BIMOTOR 2009





# CUNILL

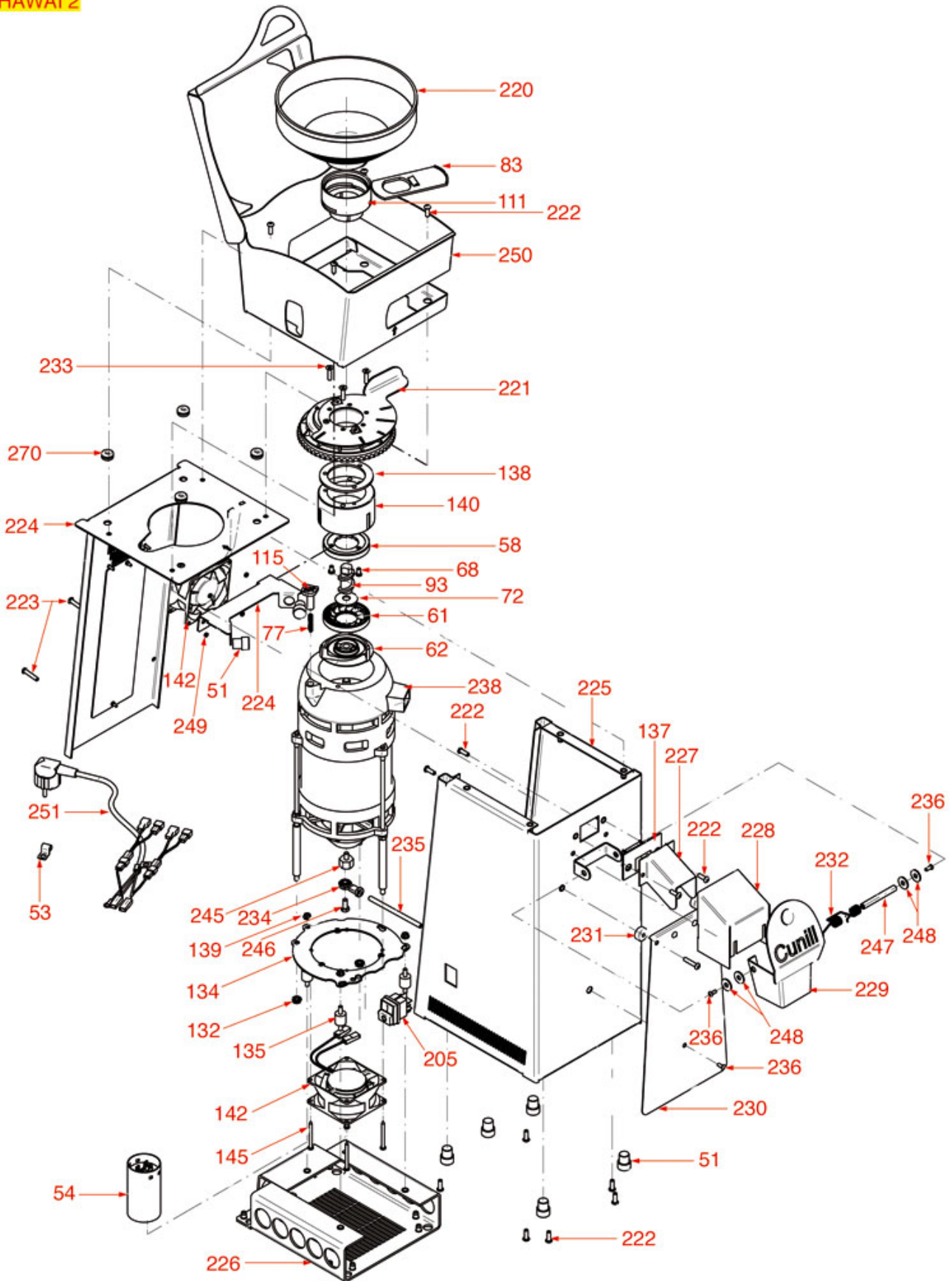


Position	LF code no.	Description
14	1252205	DOSER BOTTOM LID
16	1343021	STAR ASSEMBLY
23	1252206	PAWL RH
24	3090078	HEXAGONAL NUT NORMAL M12 UNI 5588
25	1252208	ADJUSTMENT SCREW
26	1250193	DOSER LEVER RETURN SPRING
27	1252210	DOSER PIN
28	1252211	STAR SPRING
30	1250971	LEVER PIN SPRING
31	1252213	LEVER PIN
40	1252217	DOSER LID
43	1252220	MICROSWITCH LID
44	1252221	PLASTIC RING WITH FLAP
47	3240123	MICROSWITCH 16A 250V
51	1313916	RUBBER FOOT
58	1251128	GRINDING BURRS CUNILL (PAIR) LEFT
61	1251128	GRINDING BURRS CUNILL (PAIR) LEFT
68	1528048	SCREW T.C. M5x8 mm
114	1252245	ADDITIONAL DOSER CYLINDER
135	1252250	SHOCK ABSORBER GRINDER/DOSER CUNILL
137	1252252	GASKET FOR COFFEE OUTLET OPENING
138	1252253	ADJUSTMENT RING RUBBER GASKET
141	1260001	COFFEE COLLECTING TRAY
142	1240961	AXIAL VENTILATOR 80x80x38 mm
144	1319933	DOUBLE PUSH-BUTTON 16A 250V
160	1090024	DOSER CYLINDER 600 gr
161	1385017	COFFEE TAMPER ø 51/56 mm
164	1225029	DOSER LEVER
307	1252454	ADJUSTMENT RING NUT
327	1080090	COMPLETE COFFEE HOPPER



## COFFEE GRINDER HAWAI 2

HAWAI 2



CU35

Positions without LF code no.: upon request



# CUNILL

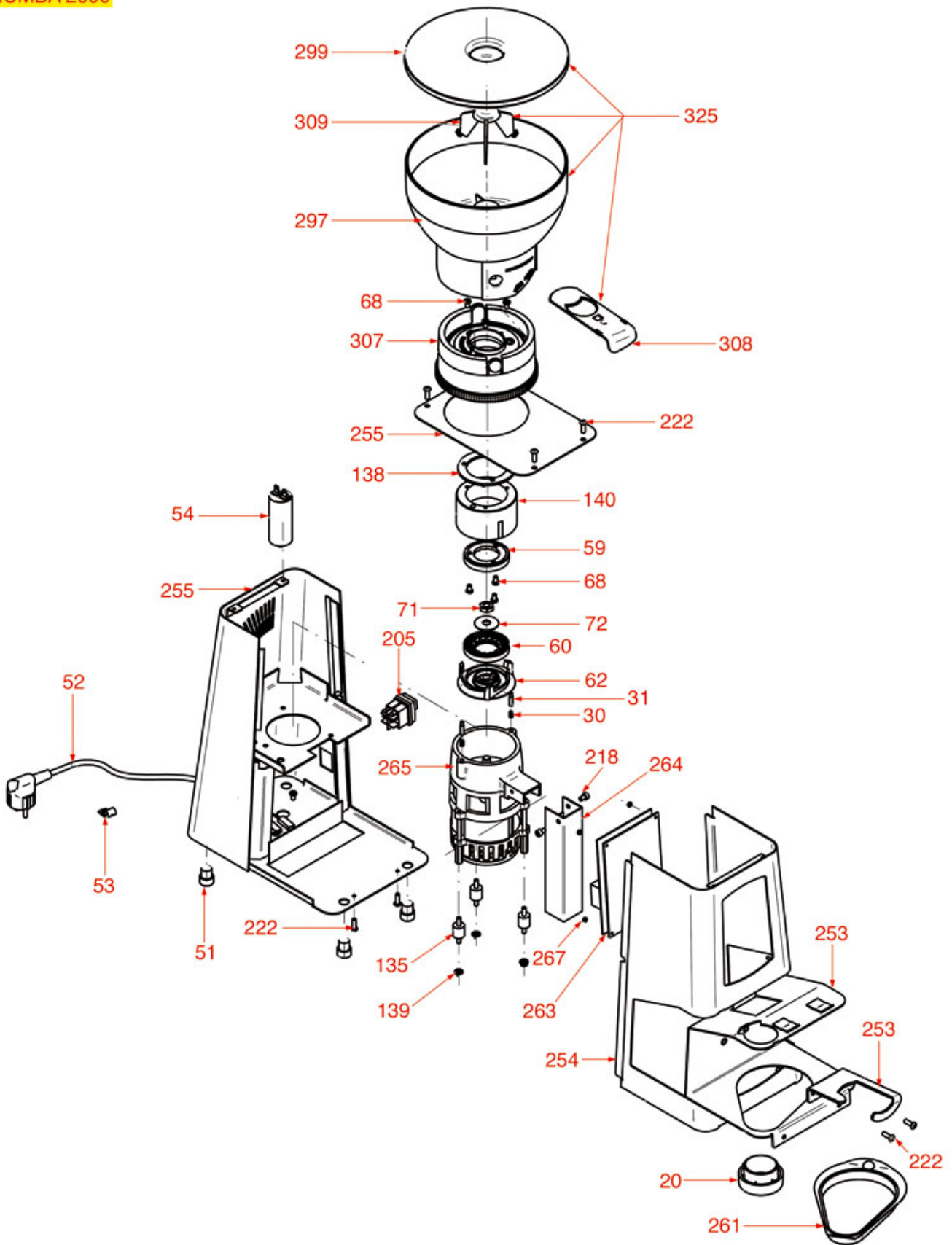


Position	LF code no.	Description
51	1313916	RUBBER FOOT
58	1251128	GRINDING BURRS CUNILL (PAIR) LEFT
61	1251128	GRINDING BURRS CUNILL (PAIR) LEFT
68	1528048	SCREW T.C. M5x8 mm
77	1250972	CONTROL SPRING
83	1252244	COFFEE HOPPER FILLER
111	1252244	COFFEE HOPPER FILLER
115	1252246	SPRING ADJUSTMENT PIN
135	1252250	SHOCK ABSORBER GRINDER/DOSER CUNILL
137	1252252	GASKET FOR COFFEE OUTLET OPENING
138	1252253	ADJUSTMENT RING RUBBER GASKET
142	1240961	AXIAL VENTILATOR 80x80x38 mm



## COFFEE GRINDER RUMBA 2009

RUMBA 2009





# CUNILL



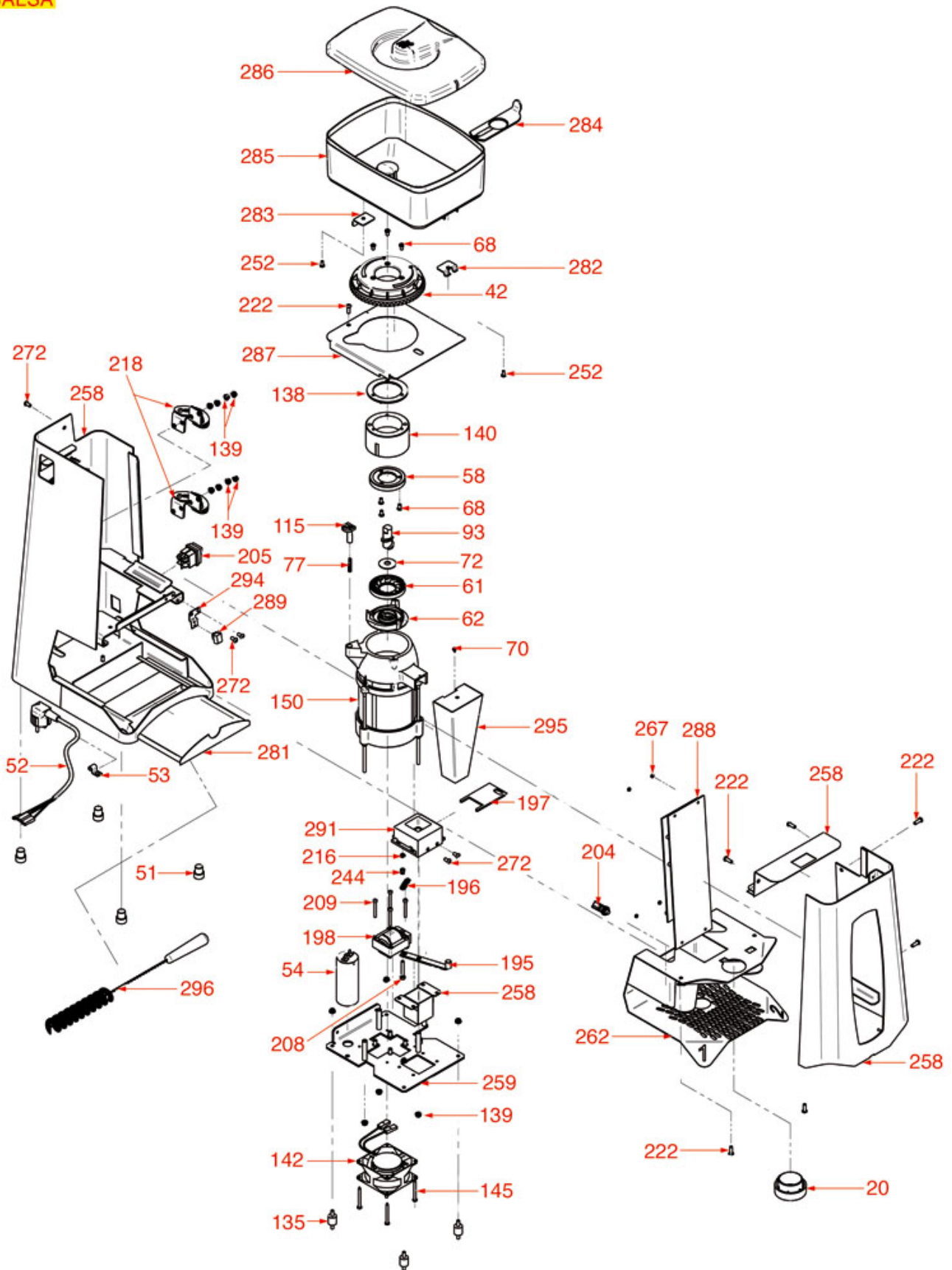
Position	LF code no.	Description
20	1385914	COFFEE TAMPER
31	1252213	LEVER PIN
51	1313916	RUBBER FOOT
59	1251634	GRINDING BURRS CUNILL (PAIR) LEFT
60	1251634	GRINDING BURRS CUNILL (PAIR) LEFT
68	1528048	SCREW T.C. M5x8 mm
135	1252250	SHOCK ABSORBER GRINDER/DOSER CUNILL
138	1252253	ADJUSTMENT RING RUBBER GASKET
307	1252454	ADJUSTMENT RING NUT
308	1080091	COFFEE CONTAINER CLOSING SHEET
325	1080088	COMPLETE COFFEE HOPPER





## COFFEE GRINDER SALSA 2009

**SALSA**







# CUNILL

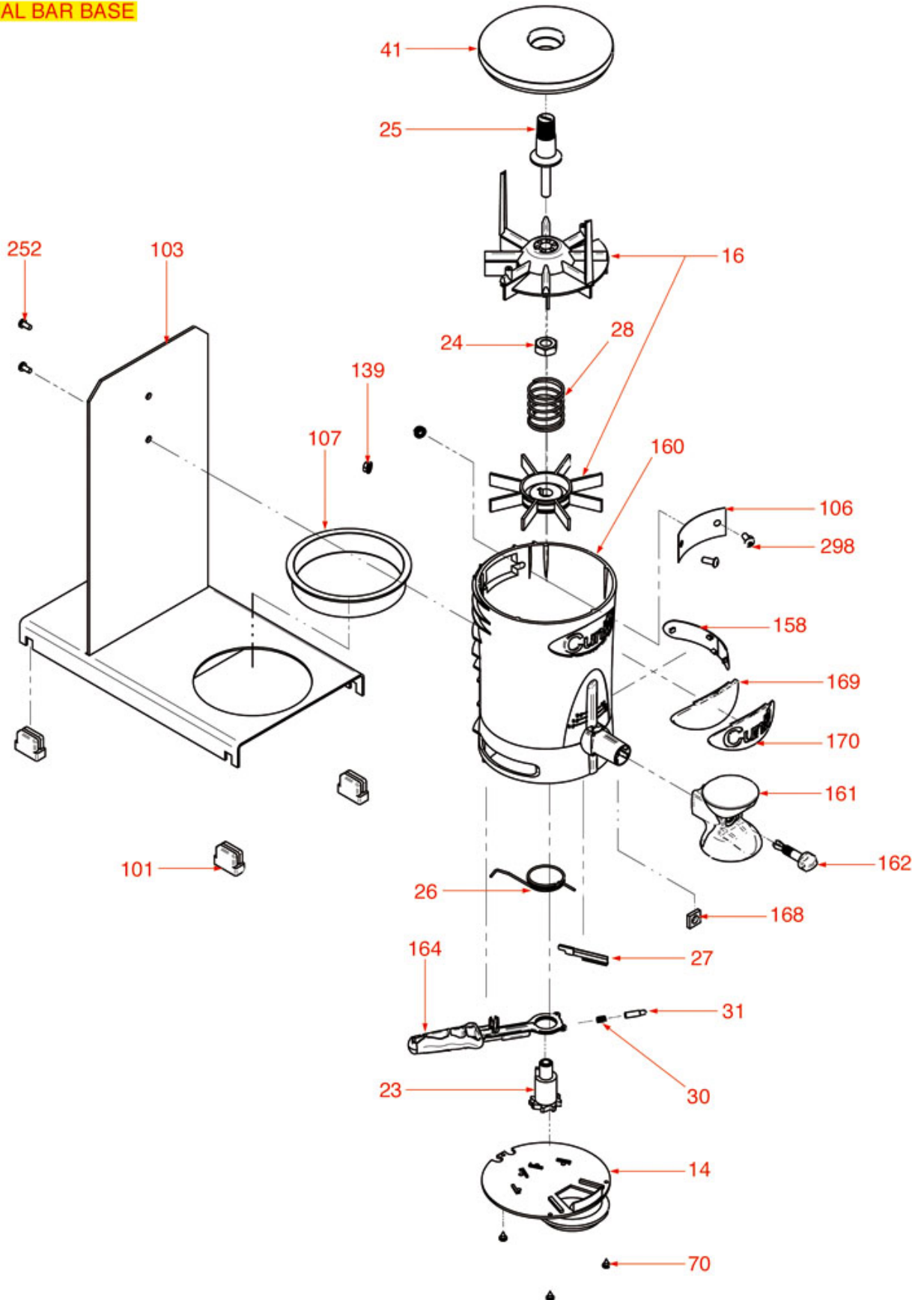


Position	LF code no.	Description
20	1385914	COFFEE TAMPER
51	1313916	RUBBER FOOT
58	1251128	GRINDING BURRS CUNILL (PAIR) LEFT
61	1251128	GRINDING BURRS CUNILL (PAIR) LEFT
68	1528048	SCREW T.C. M5x8 mm
77	1250972	CONTROL SPRING
115	1252246	SPRING ADJUSTMENT PIN
135	1252250	SHOCK ABSORBER GRINDER/DOSER CUNILL
138	1252253	ADJUSTMENT RING RUBBER GASKET
142	1240961	AXIAL VENTILATOR 80x80x38 mm



## DOSING GROUP SPECIAL BAR BASE

### SPECIAL BAR BASE





# CUNILL



Position	LF code no.	Description
14	1252205	DOSER BOTTOM LID
16	1343021	STAR ASSEMBLY
23	1252206	PAWL RH
24	3090078	HEXAGONAL NUT NORMAL M12 UNI 5588
25	1252208	ADJUSTMENT SCREW
26	1250193	DOSER LEVER RETURN SPRING
27	1252210	DOSER PIN
28	1252211	STAR SPRING
30	1250971	LEVER PIN SPRING
31	1252213	LEVER PIN
41	1252218	DOSER LID
101	1313917	RECTANGULAR RUBBER FOOT
107	1252243	COFFEE COLLECTION TRAY
160	1090024	DOSER CYLINDER 600 gr
161	1385017	COFFEE TAMPER ø 51/56 mm
164	1225029	DOSER LEVER



Suitable for:

# CUNILL



Suitable for:

## Adjustment rings for coffee grinder

**1252256 ADJUSTMENT RING**



CUNILL MC0042

CUNILL 042MOL

**1252453 ADJUSTMENT RING NUT**

for Grinder-dispenser (CUNILL) BRASILINOX2009  
BRASIL2009 - CAFETRANQUILO2009  
FULLMETALAUTO2009 - MARFILAUTOMATIC2009  
MARFILINOX2009 - MICHIGAN2009  
SPACEINOXAUTOMATIC2009 - TAURO2009

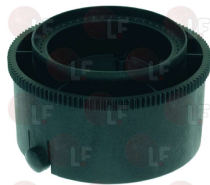


CUNILL MC0306

CUNILL 306MOL

**1252454 ADJUSTMENT RING NUT**

for Coffee grinder (CUNILL) RUMBA2009  
for Grinder-dispenser (CUNILL) MOVIEBIMOTOR2009  
MOVIE2009 - UGANDA2009



CUNILL MC0307

CUNILL 307MOL

**1252224 GRINDING BURRS BOTTOM HOLDER**



CUNILL 062MOL

## Capacitors

**3068016 CAPACITOR  $\mu\text{F}$  10 450V 50/60Hz**  
operating temperature  $-25+85^{\circ}\text{C}$   
in compliance with EEC 93/68 and 92/31 regulations



CUNILL EC026

CUNILL 026

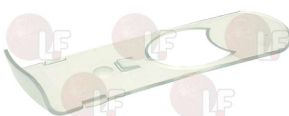
**3068019 CAPACITOR  $\mu\text{F}$  12.5 450V 50/60Hz**  
operating temperature  $-25+85^{\circ}\text{C}$   
in compliance with EEC 93/68 and 92/31 regulations



CUNILL

## Containers for coffee

**1080091 COFFEE CONTAINER CLOSING SHEET**  
for Coffee grinder (CUNILL) RUMBA2009  
for Grinder-dispenser (CUNILL) BRASILINOX2009  
BRASIL2009 - CAFETRANQUILO2009  
FULLMETALAUTO2009 - MARFILAUTOMATIC2009  
MARFILINOX2009 - MICHIGAN2009  
SPACEINOXAUTOMATIC2009 - TAURO2009  
UGANDA2009



CUNILL MC0308

CUNILL 308MOL

**1252244 COFFEE HOPPER FILLER**



CUNILL MC0111

CUNILL 083MOL

CUNILL 111MOL



# CUNILL



Suitable for:

**1252247 COFFEE HOPPER INNER PROTECTION**



CUNILL MC0116

CUNILL 116MOL

Suitable for:

**1252234 COFFEE HOPPER LID ø 200 mm**  
for Coffee grinder (CUNILL) ELCAFETRANQUILO  
for Grinder-dispenser (CUNILL) BIMOTOR - BRASIL  
COLOMBIA - COSTARICA - ETIOPIA - FULLMETAL  
HAWAI - JAMAICA - MARFIL - MEXICOA - MEXICOB  
MEXICOC - MICHIGAN - NOBEL - SPACE - TAURO  
UGANDA



CUNILL 082MOL

**1080907 COFFEE HOPPER 1 kg**  
for Grinder-dispenser (CUNILL) COLOMBIA



CUNILL

**1080087 COMPLETE COFFEE HOPPER**  
for Grinder-dispenser (CUNILL) CAFETRANQUILO2009



CUNILL MC0324

CUNILL 324MOL

**1080088 COMPLETE COFFEE HOPPER**  
for Coffee grinder (CUNILL) RUMBA2009  
for Grinder-dispenser (CUNILL) BRASILINOX2009  
BRASIL2009 - FULLMETALAUTO2009 - TAURO2009  
UGANDA2009



CUNILL MC0325

CUNILL 325MOL

**1080089 COMPLETE COFFEE HOPPER**  
for Grinder-dispenser (CUNILL) MARFILAUTOMATIC2009  
MARFILINOX2009 - MICHIGAN2009  
SPACEINOXAUTOMATIC2009



CUNILL MC0326

CUNILL 326MOL

**1080090 COMPLETE COFFEE HOPPER**  
for Grinder-dispenser (CUNILL) MOVIE2009



CUNILL 155/157MOL

**1080906 COMPLETE COFFEE HOPPER**  
for Grinder-dispenser (CUNILL) COLOMBIA - MARFIL



CUNILL

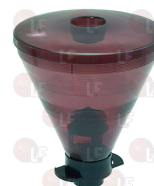
**1080931 COMPLETE COFFEE HOPPER 1 kg**  
for Grinder-dispenser (CUNILL) BRASIL - COLOMBIA  
MEXICO



CUNILL MC0001

CUNILL 001MOL

**1080933 COMPLETE COFFEE HOPPER 1 kg**  
for Grinder-dispenser (CUNILL) FULLMETAL - MEXICO  
TAURO



CUNILL MC0100

CUNILL 100MOL



Suitable for:

# CUNILL



**1080932 COMPLETE COFFEE HOPPER 2 kg**  
for Grinder-dispenser (CUNILL) COSTARICA - MARFIL  
MICHIGAN - SPACE



CUNILL MC0002 CUNILL 002MOL

**1080934 COMPLETE COFFEE HOPPER 500 gr**  
for Coffee grinder (CUNILL) ELCAFETRANQUILO



CUNILL MC0118 CUNILL 118MOL

**1080501 STANDARD COFFEE HOPPER 1.5 Kg**  
for Grinder-dispenser (BRASILIA) CC45 - RR55  
RR65  
for Grinder-dispenser (CUNILL) COLOMBIA - MARFIL  
for Grinder-dispenser (FUTURMAT-ARIETE) FM - FP  
for Grinder-dispenser (ROSSI) CC45 - RR55 - RR65



CUNILL

## Dosers for coffee

**1252245 ADDITIONAL DOSER CYLINDER**  
for Coffee grinder (CUNILL) MARFILAUTO2009  
SPACEINOXAUTO2009  
for Grinder-dispenser (CUNILL) BIMOTOR - COSTARICA  
ETIOPIA - FULLMETALAUTO2009 - HAWAI - JAMAICA  
MOVIEBIMOTOR2009 - MOVIE2009 - NOBEL - UGANDA  
UGANDA2009  
for Grinder-dispenser (FUTURMAT-ARIETE) CT2  
RIMINI



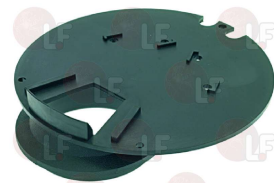
CUNILL MC0114 CUNILL 114MOL

**1252236 COFFEE FUNNEL**  
for Coffee grinder (CUNILL) ELCAFETRANQUILO  
for Grinder-dispenser (CUNILL) HAWAI - MICHIGAN



CUNILL MC0091 CUNILL 091MOL

**1252205 DOSER BOTTOM LID**



CUNILL MC0014 CUNILL 014MOL

**1252203 DOSER CYLINDER**  
for Coffee grinder (CUNILL) ELCAFETRANQUILO  
MAURO  
for Coffee grinder (FUTURMAT-ARIETE) NEW FUTUR SM  
for Grinder-dispenser (CUNILL) BIMOTOR - BRASIL  
COLOMBIA - COSTARICA - ETIOPIA - FULLMETAL  
HAWAI - JAMAICA - MARFIL - MEXICOA/C - MEXICOB  
MICHIGAN - NOBEL - SPACE - SPECIALBAR - UGANDA  
for Grinder-dispenser (FUTURMAT-ARIETE) CT1 - CT2  
MILADY - RIMINI



CUNILL MC0009 CUNILL 009MOL



# CUNILL

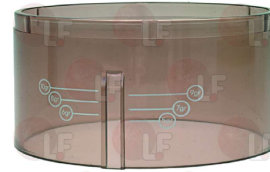


Suitable for:

Suitable for:

**1090023 DOSER CYLINDER 300 gr**  
for Coffee grinder (CUNILL) BRASILINOX2008  
BRASIL2008 - ELCAFETRANQUILO - UGANDA2008  
2 2008

**1252202 DOSER CYLINDER 300 gr**  
for Grinder-dispenser (CUNILL) BRASIL - COLOMBIA  
COSTARICA - JAMAICA - MEXICOB - UGANDA  
for Grinder-dispenser (FUTURMAT-ARIETE) CT1  
MILADY



CUNILL MC0159

CUNILL 159MOL

CUNILL MC0008

CUNILL 008MOL

**1090024 DOSER CYLINDER 600 gr**  
for Coffee grinder (CUNILL) FULLMETALAUTO2008  
MARFILAUTOMATIC2008 - MARFILINOX2008  
MOVIEBIMOTOR2008 - SPACEINOXAUTOMATIC2008  
SPECIALBARBASE - TAURO2008  
for Grinder-dispenser (CUNILL) MOVIE2009

**1252201 DOSER CYLINDER 600 gr**  
for Coffee grinder (FUTURMAT-ARIETE) NEW FUTUR SM  
for Grinder-dispenser (CUNILL) BIMOTOR - COSTARICA  
ETIOPIA - FULLMETAL - MARFIL - MEXICOA  
MEXICOC - NOBEL - SPACE - SPECIALBAR - TAURO  
for Grinder-dispenser (FUTURMAT-ARIETE) CT2  
RIMINI



CUNILL MC0160

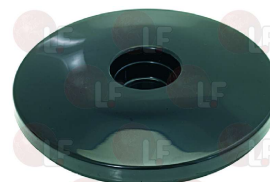
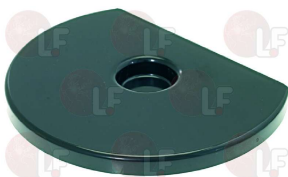
CUNILL 160MOL

CUNILL MC0007

CUNILL 007MOL

**1252217 DOSER LID**  
for Coffee grinder (CUNILL) MARFILAUTO2009  
SPACEINOX2009  
for Grinder-dispenser (CUNILL) BIMOTOR - COSTARICA  
ETIOPIA - FULLMETAL2009 - HAWAI - JAMAICA  
MARFIL - MOVIEBIMOTOR2009 - MOVIE2009 - NOBEL  
SPACE - UGANDA - UGANDA2009  
for Grinder-dispenser (FUTURMAT-ARIETE) CT2  
RIMINI

**1252218 DOSER LID**  
for Coffee grinder (CUNILL) ELCAFETRANQUILO  
ELTRANQUILO2009 - SPECIAL - 2 BRASIL 2009  
for Coffee grinder (FUTURMAT-ARIETE) NEW FUTUR SM  
for Grinder-dispenser (CUNILL) BRASIL  
BRASILINOX2009 - CAFETRANQUILO2009 - COLOMBIA  
FULLMETAL - MEXICOA/C - MEXICOB - MICHIGAN  
MICHIGAN2009 - TAURO - TAURO2009  
for Grinder-dispenser (FUTURMAT-ARIETE) CT1  
MILADY



CUNILL MC0040

CUNILL 040MOL

CUNILL MC0041

CUNILL 041MOL

## Electronic printed-circuit boards

**1252248 PRINTED CIRCUIT BOARD 0-5 SECONDS**  
for Coffee grinder (CUNILL) ELCAFETRANQUILO



CUNILL MC0124

CUNILL 124MOL





Suitable for:

# CUNILL



Suitable for:

## Equipment and accessories

### 1252012 AUTO. COFFEE GRINDER/DOSER FULL METAL USA

445W 110V 60Hz  
color black  
USA approved  
coffee capacity 1 kg



CUNILL M1801USA

CUNILL M1851USA

### 1252011 AUTOM. COFFEE GRINDER/DOSER FULL METAL

stainless steel - 445W 230V 50Hz  
coffee capacity 1kg  
capacità caffè 1 kg



CUNILL MOL

CUNILL M1801

CUNILL M1851

### 1090502 COFFEE DOSER WITH BASE

dimensioni 145x310x345 mm



CUNILL BAR

### 1252015 COFFEE GRINDER/DOSER EL CAFE TRANQUILO01

285W 230V 50Hz  
black colour  
coffee capacity 1/2 kg  
capacità caffè 1/2 Kg



CUNILL M1101

### 1252380 COFFEE GRINDER/DOSER EL CAFE TRANQUILO02

270W 230V 50Hz  
black  
coffee capacity 1/2 Kg  
capacità caffè 1/2 Kg



CUNILL M1102

CUNILL M1151

### 1090501 STANDARD COFFEE DOSER

wall connections



CUNILL SPECIALBAR

## Feet

### 1313917 RECTANGULAR RUBBER FOOT

for Coffee grinder (CUNILL) ELCAFETRANQUILO  
SPECIALBARBASE  
for Grinder-dispenser (CUNILL) FULLMETAL  
SPECIALBARPLUS - TAURO



CUNILL MC0101

CUNILL 101MOL

### 1313916 RUBBER FOOT



CUNILL MC0051

CUNILL MC100

CUNILL 051MOL



## Forks for portafilter coffee grinder

- 1162015 FILTER HOLDER FORK**  
for Grinder-dispenser (CUNILL) CAFETRANQUILLO2009

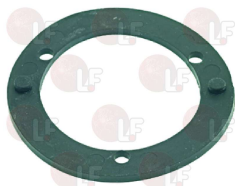


CUNILL MC0313

CUNILL 313MOL

## Gaskets and seals

- 1252253 ADJUSTMENT RING RUBBER GASKET**



CUNILL MC0138

CUNILL 138MOL

- 1252252 GASKET FOR COFFEE OUTLET OPENING**



CUNILL MC0137

CUNILL 137MOL

## Grinders

- 1251128 GRINDING BURRS CUNILL (PAIR) LEFT**  
external  $\varnothing$  65 mm - internal  $\varnothing$  30 mm  
thickness 9 mm - 3 mounting holes  
for Grinder-dispenser (ASTORIA CMA) C  
for Grinder-dispenser (CUNILL) BIMOTOR - COSTARICA  
ETIOPIA - HAWAI - HAWAI2 - MICHIGAN  
MICHIGAN2008 - MOVIE2009 - NOBEL - SALSA2008



CUNILL MC058/061

CUNILL 058/061MOL

CUNILL 058MOL

CUNILL 061MOL

- 1251634 GRINDING BURRS CUNILL (PAIR) LEFT**  
external  $\varnothing$  59 mm - internal  $\varnothing$  34 mm  
thickness 9 mm - 3 mounting holes  
for Coffee grinder (CUNILL) ELCAFETRANQUILO  
RUMBA  
for Grinder-dispenser (ASTORIA CMA) C  
for Grinder-dispenser (CUNILL) BRASIL - COLOMBIA  
FULLMETAL - MARFIL - MEXICO - SPACE - TAURO  
UGANDA  
for Grinder-dispenser (FUTURMAT-ARIETE) CT1 - CT2  
MILADY - NEWFUTURSM - RIMINI



CUNILL MC0059/060

CUNILL 0059MOL

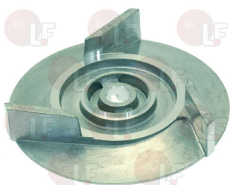
CUNILL MC59/060

CUNILL 060MOL

CUNILL 059/060MOL

## Grinding burr holders

- 1251127 GRINDING BURRS BOTTOM HOLDER**  
for Coffee grinder (CUNILL) ELCAFETRANQUILO  
for Grinder-dispenser (CUNILL) BRASIL  
BRASILINOX2009 - BRASIL2009  
CAFETRANQUILO2009 - COLOMBIA - FULLMETAL  
FULLMETALAUTO2009 - MAFILAUTOMATIC2009  
MARFIL - MARFILINOX2009 - SPACE  
SPACEINOXAUTOMATIC2009 - TAURO - TAURO2009



CUNILL MC0062/B

CUNILL 062/BMOL

- 1251126 GRINDING BURRS TOP HOLDER**  
for Coffee grinder (CUNILL) ELCAFETRANQUILO  
for Grinder-dispenser (CUNILL) BRASIL  
BRASILINOX2009 - BRASIL2009  
CAFETRANQUILO2009 - COLOMBIA - FULLMETAL  
MARFIL - MARFILAUTOMATICINOX2009  
MARFILINOX2009 - SPACE  
SPACEINOXAUTOMATIC2009 - TAURO - TAURO2009



CUNILL MC0056

CUNILL 056MOL



Suitable for:

# CUNILL



Suitable for:

## Ironmongery (screws,nuts,washers)

**3090078 HEXAGONAL NUT NORMAL M12 UNI 5588**



CUNILL MC0024

CUNILL 024MOL

**1528048 SCREW T.C. M5x8 mm**



CUNILL MC0068

CUNILL 068MOL

## Knobs

**1252208 ADJUSTMENT SCREW**



CUNILL MC0025

CUNILL 025MOL

## Levers

**1225029 DOSER LEVER**  
for Grinder-dispenser (CUNILL)



CUNILL MC0164

CUNILL 164MOL

**1252214 DOSER LEVER**  
for Grinder-dispenser (CUNILL) BIMOTOR - BRASIL  
COLOMBIA - COSTARICA - ETIOPIA - FULLMETAL  
JAMAICA - MARFIL - MEXICOA/C - MEXICOB - NOBEL  
SPACE - SPECIALBAR - TAURO - UGANDA  
for Grinder-dispenser (FUTURMAT-ARIETE) MILADY  
NEWFUTURSM - RIMINI CT/1 - RIMINI CT/2



CUNILL MC0032

CUNILL 032MOL

## Microswitches

**1252223 LARGE ALUMINIUM FLAP**



CUNILL MC0045/B

CUNILL 045/BMOL

**1252220 MICROSWITCH LID**



CUNILL MC0043

CUNILL 043MOL

**3240123 MICROSWITCH 16A 250V**



CUNILL EC019  
CUNILL 047MOL

CUNILL MC0047

CUNILL 019

**1252221 PLASTIC RING WITH FLAP**



CUNILL MC044+045

CUNILL 044+045MOL

CUNILL 045+044MOL

Suitable for:

Suitable for:

## 125222 PLASTIC RING WITH FLAP



CUNILL 044+045/AMOL

CUNILL 045/A+044MOL

## Motors

### 1240961 AXIAL VENTILATOR 80x80x38 mm 220/240V 50/60Hz 13/14W for Grinder-dispenser (CUNILL) HAWAI



CUNILL MC0142

CUNILL 142MOL

## Pawls for coffee grinder dosers

### 1252207 PAWL LH



CUNILL MC0023

CUNILL 023/AMOL

### 1252206 PAWL RH



CUNILL MC0023/A

CUNILL MC0023A

CUNILL 023MOL

### 1324918 PAWL ROD ASSEMBLY



CUNILL

## Pins

### 1252210 DOSER PIN



CUNILL MC0027

CUNILL MC027

CUNILL 027MOL

### 1252213 LEVER PIN



CUNILL MC0031

CUNILL 031MOL



Suitable for:

**1252204 RECTANGULAR PLATE M6x1**



CUNILL MC0012

CUNILL 012MOL

# CUNILL



Suitable for:

**1252246 SPRING ADJUSTMENT PIN**



CUNILL MC0115

CUNILL 115MOL

## Springs

**1250972 CONTROL SPRING**



CUNILL MC0077

CUNILL 077MOL

**1250193 DOSER LEVER RETURN SPRING**



CUNILL MC0026/A

CUNILL 026/AMOL

**1252209 DOSER LEVER RETURN SPRING**



CUNILL MC0026

CUNILL 026MOL

**1250971 LEVER PIN SPRING**



CUNILL MC0030

CUNILL 030MOL

**1252211 STAR SPRING**



CUNILL MC0028

CUNILL 028MOL

## Stars and spare parts

**1343021 STAR ASSEMBLY**



CUNILL MC0015+MC0016+...

CUNILL 015+016+017MOL



## Switches

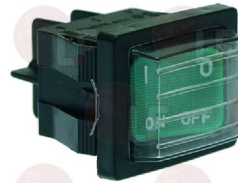
**1319933 DOUBLE PUSH-BUTTON 16A 250V**  
 red-switch / green push-button  
 with push-button cover  
 mounting hole 30x22 mm  
 for Grinder-dispenser (CUNILL) BIMOTOR



CUNILL MC0144

CUNILL 144MOL

**1319935 GREEN BIPOLAR SWITCH 15A 250V**  
 with indicator lamp and push-button cover  
 "ON-OFF" simbol screenprinted  
 mounting hole 30x22 mm



CUNILL EC049

CUNILL 049/AMOL

CUNILL 049MOL

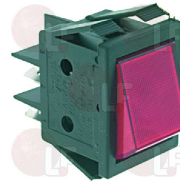
**3319012 GREEN BIPOLAR SWITCH 16A 250V**  
 with indicator light and switch cover  
 screen printing 0 - I  
 max temperature 120°C  
 mounting hole 22x30 mm



CUNILL EC008/A

CUNILL 008/A

**3319019 RED BIPOLAR SWITCH 16A 250V**  
 with indicator lamp  
 max temperature 120°C  
 mounting hole 22x30 mm



CUNILL LF-1319927

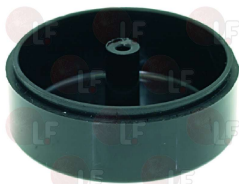
**3319501 SWITCH PROTECTION CAP**  
 external dimensions 29x36 mm  
 for switches with mounting hole 22x30 mm



CUNILL

## Tampers for coffee

**1385913 COFFEE TAMPER**



CUNILL MC0020

CUNILL 020MOL

**1385914 COFFEE TAMPER**



CUNILL MC0020/A

CUNILL 020/AMOL

**1385017 COFFEE TAMPER  $\varnothing$  51/56 mm**  
 for CUNILL ALL MOELS 2008



CUNILL MC0161

CUNILL 161MOL

**1385531 COFFEE TAMPER ASSEMBLY**



CUNILL



Suitable for:

# CUNILL



Suitable for:

## 1385912 COFFEE TAMPER ASSEMBLY for SILENCER



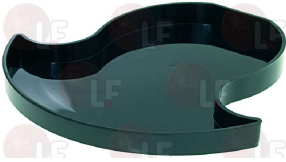
CUNILL MC0018/A

CUNILL 018/AMOL

CUNILL 018MOL

## Trays

### 1252235 COFFEE COLLECTING TRAY for Grinder-dispenser (CUNILL) BIMOTOR - BRASIL HAWAI - MARFIL - MICHIGAN2009 - MICIGAN NOBEL - UGANDA for Grinder-dispenser (FUTURMAT-ARIETE) RIMINI CT/1 - RIMINI CT/2



CUNILL MC0086

CUNILL 086MOL

### 1252452 COFFEE COLLECTING TRAY for Grinder-dispenser (CUNILL) CAFETRANQUILO2009



CUNILL MC0314

CUNILL 314MOL

### 1260001 COFFEE COLLECTING TRAY for Grinder-dispenser (CUNILL) BIMOTOR - MOVIE2009



CUNILL MC0141

CUNILL 141MOL

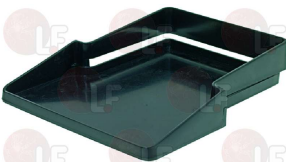
### 1260002 COFFEE COLLECTING TRAY for Grinder-dispenser (CUNILL) BRASIL - BRASILINOX BRASIL2009 - MAFILAUTOMATIC - MAFILINOX



CUNILL MC0318

CUNILL 318MOL

### 1252216 COFFEE COLLECTION TRAY for Grinder-dispenser (CUNILL) COLOMBIA - ETIOPIA FULL - JAMAICA - METAL - SPACE - SPACEINOX 2009 TAURO for Grinder-dispenser (FUTURMAT-ARIETE) MILADY NEWFUTURSM - RIMINI



CUNILL MC0039

CUNILL 039MOL

### 1252242 COFFEE COLLECTION TRAY for Grinder-dispenser (CUNILL) TAURO



CUNILL MC0099

CUNILL 099MOL

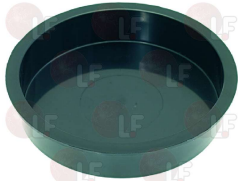




Suitable for:

Suitable for:

**1252243 COFFEE COLLECTION TRAY**  
for Coffee grinder (CUNILL) ELCAFETRANQUILO  
for Grinder-dispenser (CUNILL) COSTARICA  
FULLMETAL2009 - MEXICOA/C - MEXICOB  
SPECIALBAR



CUNILL MC0107

CUNILL 107MOL

## Vibration insulators for motors

**1252250 SHOCK ABSORBER GRINDER/DOSER CUNILL**



CUNILL MC0135

CUNILL 135MOL

*The data herewith contained may change without notice and LF SpA cannot be held responsible for possible errors stated or resulting by the use of this document. All rights reserved. No part of this publication may be reproduced without written permission by LF SpA.*



**LF SpA**  
via Voltri, 80 - 47522 Cesena (FC) ITALIA  
Tel. +39 0547 34 11 11 - Fax +39 0547 34 11 10  
[www.lfircambi724.it](http://www.lfircambi724.it) - [www.lfircambi724.mobi](http://www.lfircambi724.mobi)  
[info@lfircambi.it](mailto:info@lfircambi.it)  
Export Dept.: Tel. +39 0547 34 11 50 - Fax: +39 0547 34 11 55  
[www.lfspareparts724.com](http://www.lfspareparts724.com) - [www.lfspareparts724.mobi](http://www.lfspareparts724.mobi)  
[export@lfspareparts.com](mailto:export@lfspareparts.com)

**FRANCE**



**EPGC Sas**  
13, Rue des Forts - 59960 Neuville en Ferrain  
Tél. +33 (0)3 20 25 06 21  
Fax +33 (0)3 20 25 34 12  
[www.epgc.com](http://www.epgc.com)  
[www.epgc724.mobi](http://www.epgc724.mobi)  
[epgc@epgc.com](mailto:epgc@epgc.com)

**DEUTSCHLAND**



**LF GmbH**  
Junkersstrasse, 1 - D-82178 Puchheim - München  
Tel. +49 89 89 45 78 66  
Fax +49 89 89 45 78 88  
[www.lfersatzteile724.de](http://www.lfersatzteile724.de)  
[www.lfersatzteile724.mobi](http://www.lfersatzteile724.mobi)  
[info@lfersatzteile.de](mailto:info@lfersatzteile.de)

**SCHWEIZ**



**LF GmbH Verkaufsbüro**  
Sennweidstrasse, 45 - CH-6312 Steinhausen  
Tel. +41 (0)41 760 15 80-1  
Fax +41 (0)41 760 15 85  
[www.lfersatzteile724.ch](http://www.lfersatzteile724.ch)  
[www.lfersatzteile724.mobi](http://www.lfersatzteile724.mobi)  
[info@lfersatzteile.ch](mailto:info@lfersatzteile.ch)

**ESPAÑA**



**LF Repuestos Horeca S.L.U.**  
Calle Ciudad Real, 10 - 45517 Escalonilla - Toledo  
Tif. +34 91 477 91 00  
Fax +34 91 477 90 81  
[www.lfrepuestos724.es](http://www.lfrepuestos724.es)  
[www.lfrepuestos724.mobi](http://www.lfrepuestos724.mobi)  
[info@lfrepuestos.es](mailto:info@lfrepuestos.es)

**UNITED KINGDOM**



**LF Spare Parts Ltd.**  
A10a Lakeside Business Park, Broadway Lane  
South Cerney, Gloucestershire GL7 5XL  
Tel. +44 (0)1285 86 16 25  
Fax +44 (0)1285 86 39 49  
[www.lfspareparts724.co.uk](http://www.lfspareparts724.co.uk)  
[www.lfspareparts724.mobi](http://www.lfspareparts724.mobi)  
[info@lfspareparts.co.uk](mailto:info@lfspareparts.co.uk)

**RUSSIA**



**OOO LF**  
ul, Anatoliya Zhivova, 8 - office 1 - 123100 Moscow  
Tel. +7 499 259 85 75  
Fax +7 495 725 26 53  
[www.lfspareparts724.ru](http://www.lfspareparts724.ru)  
[www.lfspareparts724.mobi](http://www.lfspareparts724.mobi)  
[info@lfspareparts.ru](mailto:info@lfspareparts.ru)

**CHINA**



**LF China**  
Room 102, House 8, Lane 725, Mao Tai Rd.  
Changning Dist. - 200336 Shanghai  
Tel. +86 (0)21 33 53 66 31  
Fax +86 (0)21 33 53 66 32  
[www.lfspareparts724.com](http://www.lfspareparts724.com)  
[www.lfspareparts724.mobi](http://www.lfspareparts724.mobi)  
[china@lfspareparts.com](mailto:china@lfspareparts.com)