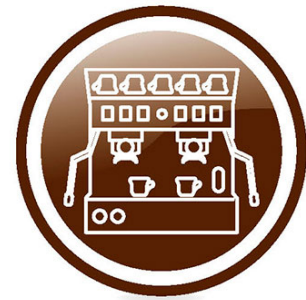




Spare parts for:

Espresso coffee machines



Suitable for:

BRASILIA



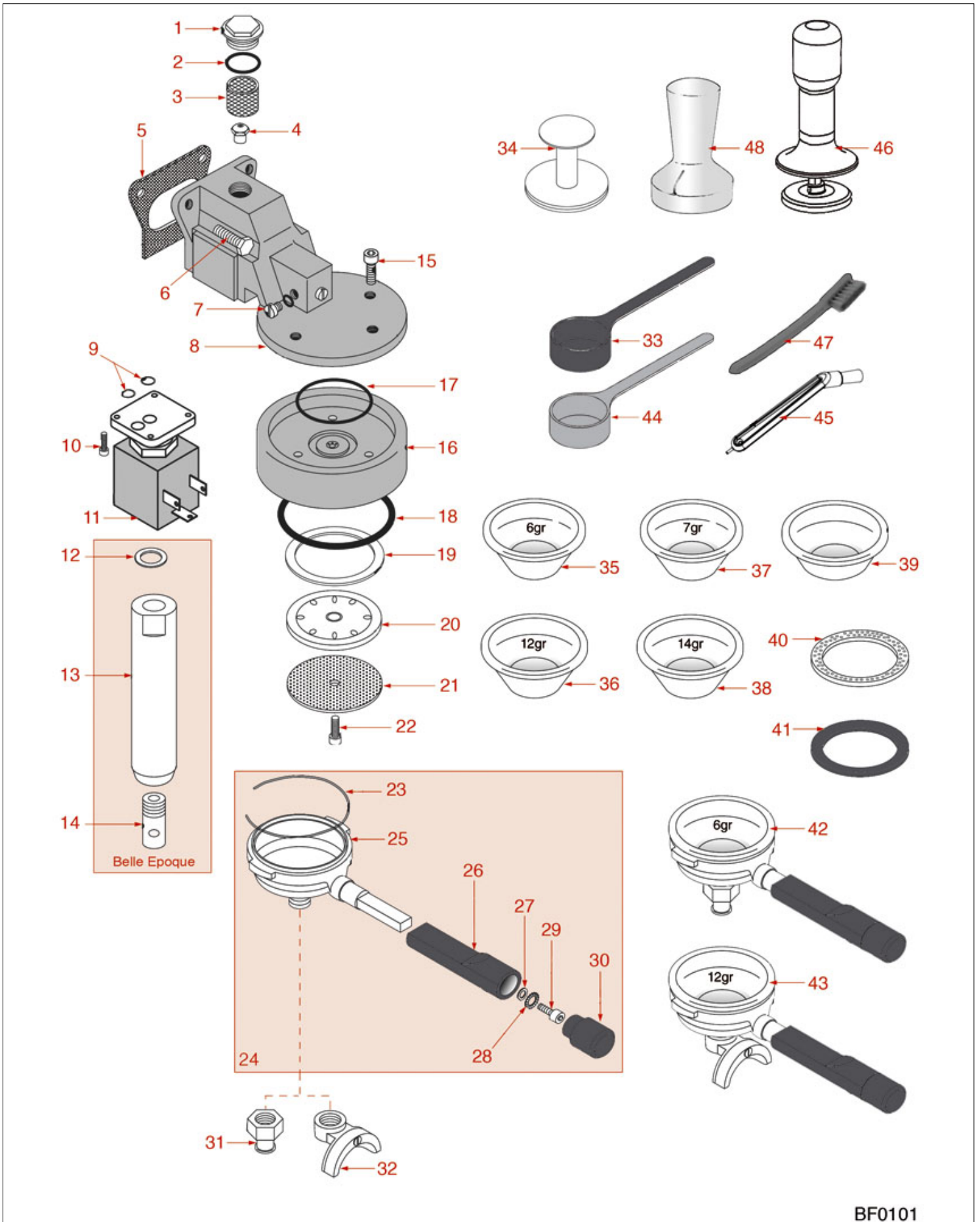
This catalogue is automatically generated.
Therefore, the sequence of the items might
not be always shown at best.
Updates will be issued in case of additions
and/or amendments.

Suitable universal spare parts may not be included





BREW GROUP FIRST SERIES



BF0101



BRASILIA

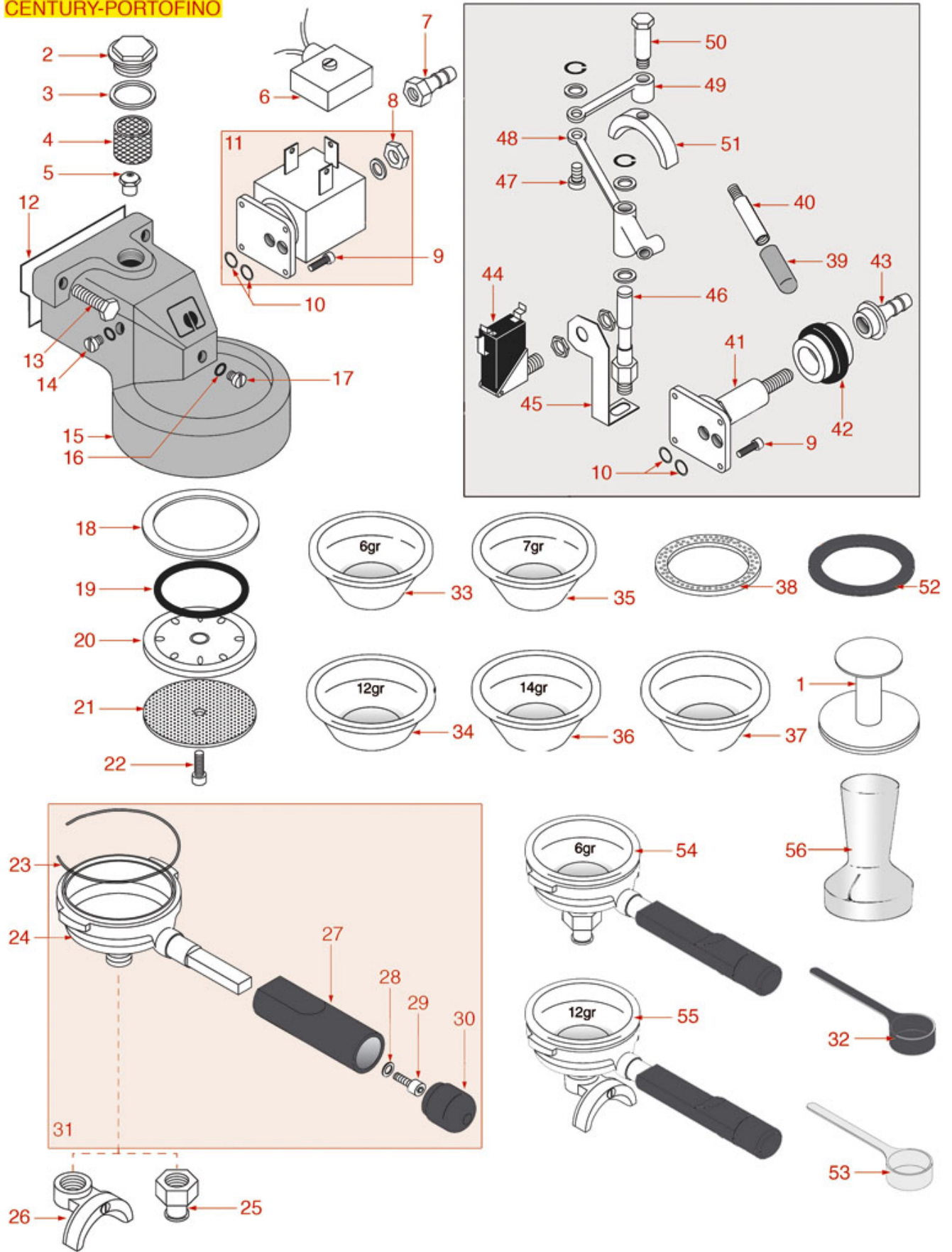


Position	LF code no.	Description
1	1439003	CAP ø 18 mm FOR BREW GROUP
2	1186414	O-RING 0119 EPDM
3	1160501	WATER FILTER ø 14x10x12 mm
4	1500530	NOZZLE M5x1 HOLE ø 0.75 mm
5	1186652	COFFEE GROUP GASKET 77x51x3 mm
6	1184008	HEXAGON HEAD SCREW M8x25
7	1501003	CAP ø 1/8" M FOR BREW GROUP
9	1186611	O-RING 02025 RED SILICONE
9	1186612	O-RING 02025 VITON
10	1455034	CYLINDER HEAD SCREW M4x10
11	1120101	3-WAY SOLENOID VALVE PARKER 115V 50/60Hz
11	1120330	3-WAY SOLENOID VALVE LUCIFER 240V 50Hz
11	1120335	3-WAY SOLENOID VALVE PARKER 230V 50/60Hz
15	1184012	CYLINDER HEAD SCREW M5x10
17	1186655	O-RING 04131 EPDM
17	3160044	O-RING 03187 EPDM
18	3160044	O-RING 03187 EPDM
19	1186654	FILTER HOLDER GASKET ø 70x57x8 mm
19	1186656	FILTER HOLDER GASKET ø 67x56x6 mm
19	1186657	FILTER HOLDER GASKET ø 66x56x6 mm
19	1486018	FILTERHOLDER GASKET ø 66x56.5x5.3 mm
21	1081002	SHOWER SCREEN ø 51.5 mm
22	1528501	COUNTERSUNK HEAD SCREWS WITH SHELL M5x12
23	1250101	FILTER BLOCKING SPRING ø 1,00 mm INOX
26	1241067	FILTER KNOB M12
26	1241501	FILTER HOLDER HANDLE M12
27	1528008	WASHER FLAT M8
28	1186058	COGGED WASHER EXTERNAL M8
29	1528026	CYLINDER HEAD SCREW M8x20
31	1022501	SINGLE SPOUT ø 3/8"
31	1022503	STRAIGHT SINGLE SPOUT ø 3/8"
32	1022502	DOUBLE SPOUT ø 3/8"
33	1069001	PLASTIC MEASURING SPOON 20 ml
34	1385002	NYLON COFFEE TAMPER ø 50/57 mm
35	1160251	1 CUP FILTER 6 g
36	1160252	2-CUP FILTER 12 GRAMS
37	1160335	1 CUP FILTER 7 g
38	1160337	2-CUP FILTER 14 GRAMS
39	1160339	BLIND FILTER
40	1190001	PAPER SHIM ø 73x59x0.8 mm
40	1190021	PAPER SEAL ø 66x58x0.8 mm
41	1190002	RUBBER SHIM ø 73x59x1 mm EPDM
44	1069002	STAINLESS STEEL MEASURING SPOON 20 ml
45	1384001	BRUSH FOR COFFEE SHOWER
46	1385600	DYNAMOMETRIC MANUAL COFFEE TAMPER ø 57mm
47	1384002	BRUSH FOR MAINTENANCE
48	1385053	ANODISED ALUMINUM TAMPER ø 58 mm



BREW GROUP CENTURY-PORTOFINO

CENTURY-PORTOFINO





BRASILIA

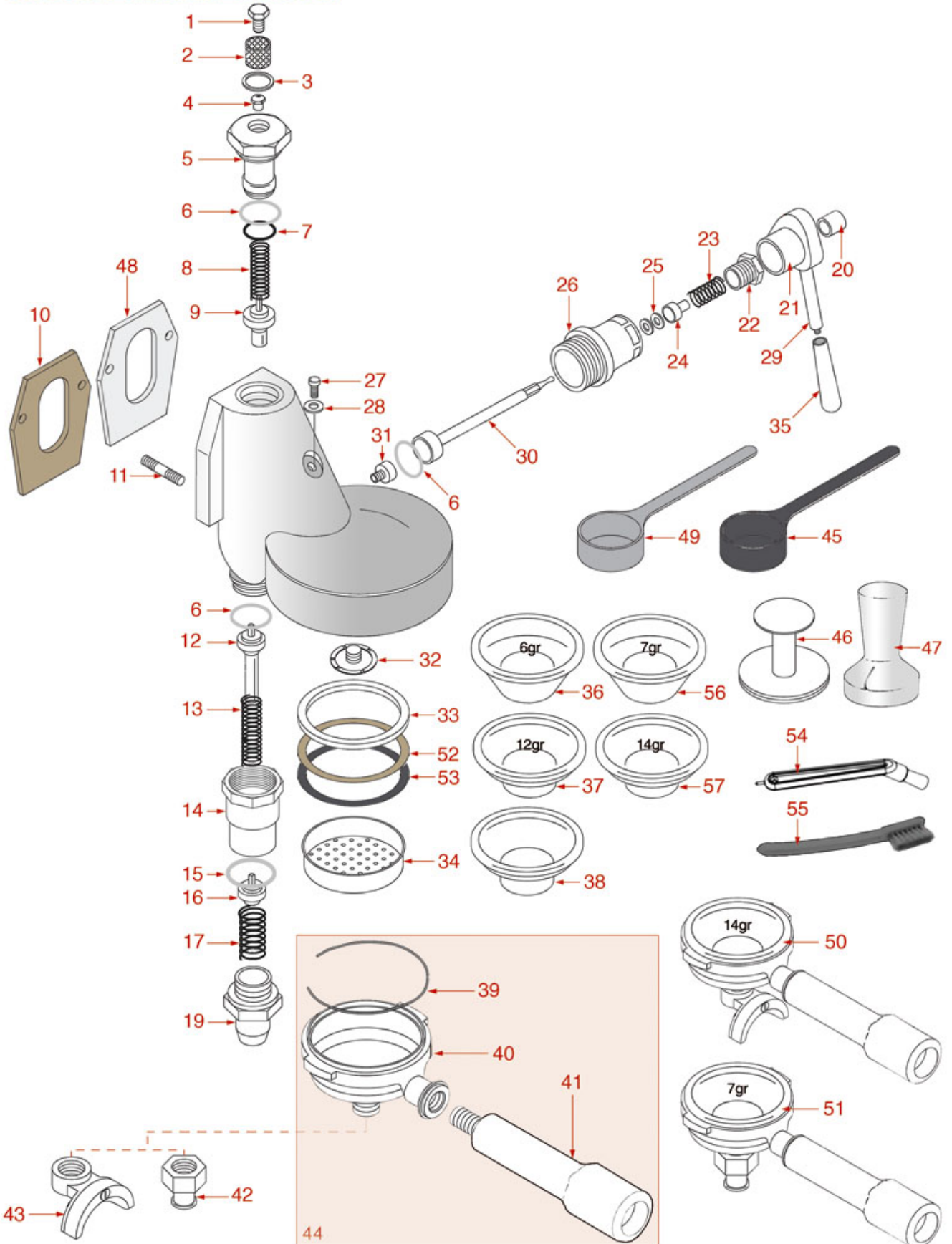


Position	LF code no.	Description
1	1385002	NYLON COFFEE TAMPER ø 50/57 mm
2	1439003	CAP ø 18 mm FOR BREW GROUP
3	1186414	O-RING 0119 EPDM
4	1160501	WATER FILTER ø 14x10x12 mm
5	1500530	NOZZLE M5x1 HOLE ø 0.75 mm
6	3120034	FEMALE LARGE CONNECTOR
7	1449349	DRAIN FITTING ø 1/8"Fx8 mm
8	1349009	LOW NUT 1/8"
9	1455034	CYLINDER HEAD SCREW M4x10
10	1186611	O-RING 02025 RED SILICONE
10	1186612	O-RING 02025 VITON
11	1120101	3-WAY SOLENOID VALVE PARKER 115V 50/60Hz
11	1120330	3-WAY SOLENOID VALVE LUCIFER 240V 50Hz
11	1120332	COIL LUCIFER/PARKER 220/240V 9W 50Hz
11	1120334	3-WAY MECHANICAL COMPONENT LUCIFER
11	1120335	3-WAY SOLENOID VALVE PARKER 230V 50/60Hz
11	1120339	3-WAY MECHANICAL COMPONENT PARKER
11	3120032	COIL PARKER ZB09 9W 220/240V 50/60Hz
12	1186652	COFFEE GROUP GASKET 77x51x3 mm
13	1184008	HEXAGON HEAD SCREW M8x25
16	1186803	O-RING 02037 EPDM
17	1184521	CAP ø 1/8"M FOR BREW GROUP
18	1186654	FILTER HOLDER GASKET ø 70x57x8 mm
19	3160044	O-RING 03187 EPDM
21	1081002	SHOWER SCREEN ø 51.5 mm
22	1528501	COUNTERSUNK HEAD SCREWS WITH SHELLM5x12
23	1250101	FILTER BLOCKING SPRING ø 1,00 mm INOX
25	1022501	SINGLE SPOUT ø 3/8"
25	1022503	STRAIGHT SINGLE SPOUT ø 3/8"
26	1022502	DOUBLE SPOUT ø 3/8"
28	1528008	WASHER FLAT M8
29	1528026	CYLINDER HEAD SCREW M8x20
32	1069001	PLASTIC MEASURING SPOON 20 ml
33	1160251	1 CUP FILTER 6 g
34	1160252	2-CUP FILTER 12 GRAMS
35	1160335	1 CUP FILTER 7 g
36	1160337	2-CUP FILTER 14 GRAMS
37	1160339	BLIND FILTER
38	1190001	PAPER SHIM ø 73x59x0.8 mm
38	1190051	PAPER SEAL ø 70x57x0.8 mm
42	1240731	PERMANENT MAGNET
44	3240410	MICROSWITCH 16(4)A 250V
52	1190002	RUBBER SHIM ø 73x59x1 mm EPDM
52	1190003	RUBBER SHIM ø 70x57x1 mm EPDM
53	1069002	STAINLESS STEEL MEASURING SPOON 20 ml
56	1385053	ANODISED ALUMINUM TAMPER ø 58 mm



GROUP CENTURY-PORTOFINO-GRADISCA

CENTURY-PORTOFINO-GRADISCA



BF0301

Positions without LF code no.: upon request



BRASILIA

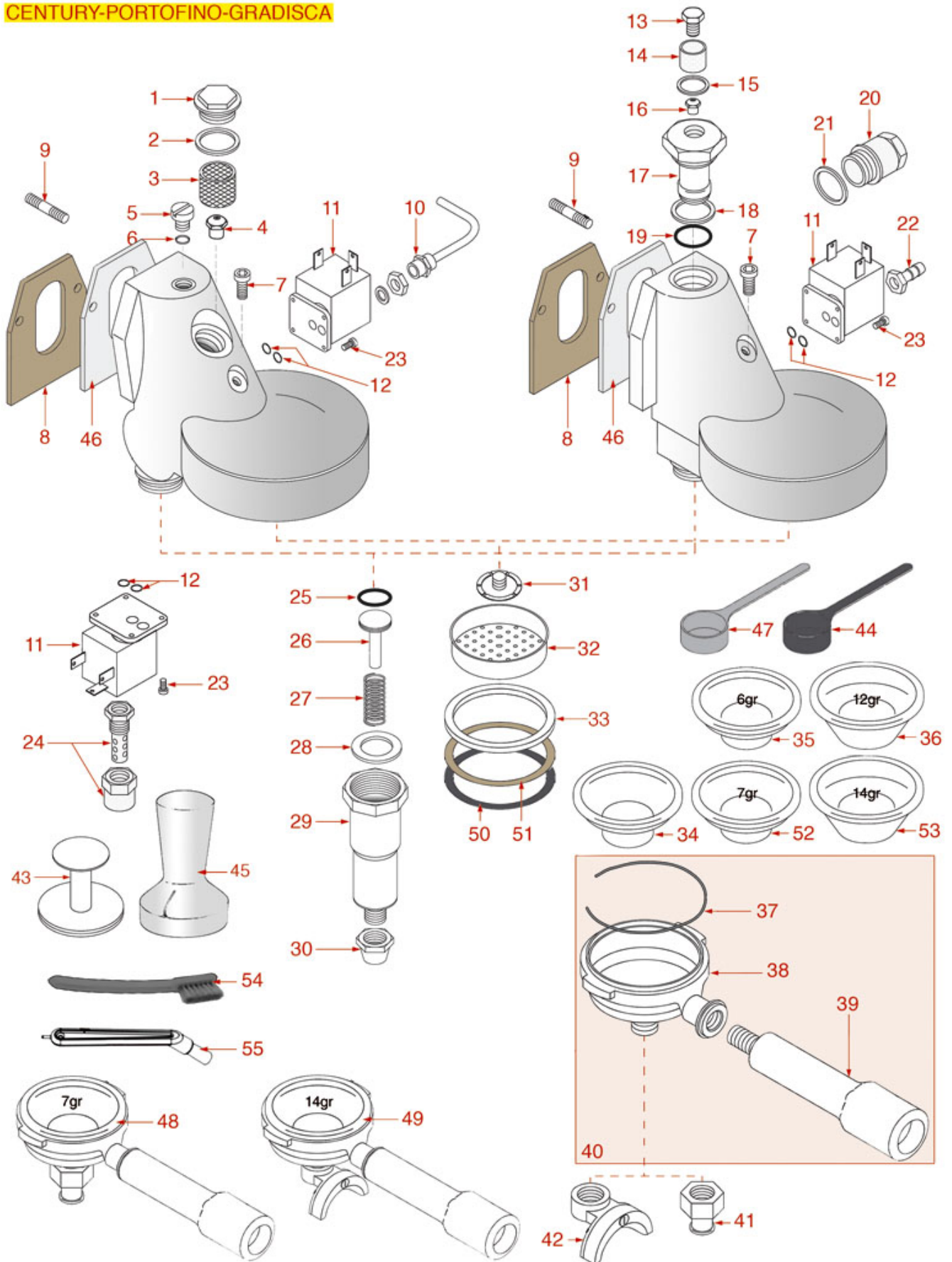


Position	LF code no.	Description
1	1439001	CAP ø 16 mm FOR BREW GROUP
2	1160517	WATER FILTER ø 8.5x22 mm
3	1186326	PTFE FLAT GASKET ø 22x16x2 mm
4	1501522	NOZZLE M6x1 HOLE ø 0,75 mm
5	1027016	UPPER CHROMIUM-PLATED SLEEVE
6	1186328	PTFE FLAT GASKET ø 35x30x2 mm
7	1186591	O-RING 0128 VITON
8	1250537	SPRING ø 14x45 mm
9	1523053	COMPLETE SPOUT VALVE
10	1186384	COFFEE GROUP GASKET 80x70x2 mm
11	1184009	STAINLESS STEEL M8x25 mm STUD
12	1523452	COMPLETE DRAIN VALVE
13	1250537	SPRING ø 14x45 mm
14	1027002	OUTLET CHROMIUM-PLATED SLEEVE
15	1186117	PTFE FLAT GASKET ø 26x21x2 mm
16	1523453	COMPLETE DRAIN VALVE
17	1250515	SPRING ø 14x33 mm
19	1349537	DRAIN CHROMIUM-PLATED FITTING
20	1225002	CHROMIUM-PLATED CAP M6
21	1191022	CHROMIUM-PLATED CAM
22	1439533	STUFFING GLAND CHROME-PLATED FITTING
23	1250011	SPRING ø 14.6x21 mm RUBBERPIECE LOCKING
24	1186592	SPRING GUIDE BUSHING
25	1186312	EPDM FLAT GASKET ø 15.5x7.5x4 mm
26	1349022	CAMS CHROMIUM-PLATED FITTING
27	1184010	LOW CYLINDER HEAD SCREW M6x10
28	1186099	PTFE FLAT GASKET ø 10x6x1 mm
30	1324048	CAM ROD FOR COFFEE GROUP
31	1184005	CAM LOCKING STAINLESS STEEL SCREW M6
32	1501561	GROUP SPRAY NOZZLE ø 30 mm M10x1
33	1186061	FILTER HOLDER GASKET ø 72.5x57x8 mm
33	1186622	GASKET FILTER HOLDER ø 72x56x8 mm
34	1081016	SHOWER SCREEN ø 60 mm
34	1081116	SHOWER SCREEN ø 60 mm
34	1081216	SHOWER SCREEN ø 60 mm
34	1081516	SHOWER ø 60 mm
36	1160251	1 CUP FILTER 6 g
37	1160252	2-CUP FILTER 12 GRAMS
38	1160339	BLIND FILTER
39	1250101	FILTER BLOCKING SPRING ø 1,00 mm INOX
40	1165022	FILTER HOLDER COFFEE MACHINES
41	1241067	FILTER KNOB M12
41	1241501	FILTER HOLDER HANDLE M12
42	1022501	SINGLE SPOUT ø 3/8"
42	1022503	STRAIGHT SINGLE SPOUT ø 3/8"
43	1022502	DOUBLE SPOUT ø 3/8"
44	1165003	FILTER HOLDER ASSEMBLY BRASILIA
45	1069001	PLASTIC MEASURING SPOON 20 ml
46	1385002	NYLON COFFEE TAMPER ø 50/57 mm
47	1385053	ANODISED ALUMINUM TAMPER ø 58 mm
48	1186508	COFFEE GROUP GASKET 77x73x2 mm
49	1069002	STAINLESS STEEL MEASURING SPOON 20 ml
52	1190001	PAPER SHIM ø 73x59x0.8 mm
53	1190002	RUBBER SHIM ø 73x59x1 mm EPDM
54	1384001	BRUSH FOR COFFEE SHOWER
55	1384002	BRUSH FOR MAINTENANCE
56	1160335	1 CUP FILTER 7 g
57	1160337	2-CUP FILTER 14 GRAMS



GROUP CENTURY-PORTOFINO-GRADISCA

CENTURY-PORTOFINO-GRADISCA



BF0401

Positions without LF code no.: upon request



BRASILIA

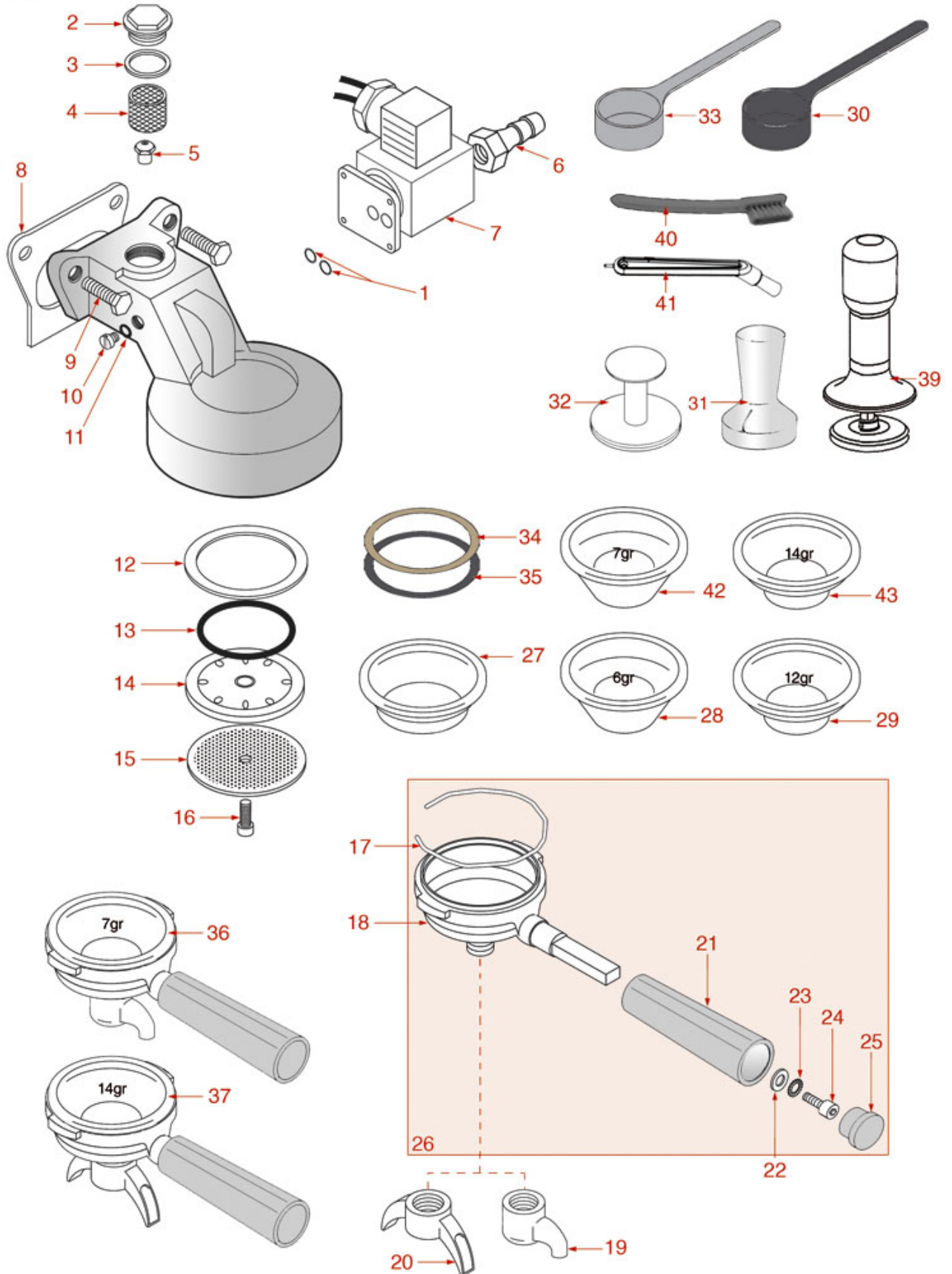


Position	LF code no.	Description
1	1439003	CAP ø 18 mm FOR BREW GROUP
2	1186414	O-RING 0119 EPDM
3	1160501	WATER FILTER ø 14x10x12 mm
4	1500530	NOZZLE M5x1 HOLE ø 0.75 mm
6	1186079	FLAT PTFE GASKET ø 17x13x3 mm
7	1184010	LOW CYLINDER HEAD SCREW M6x10
8	1186384	COFFEE GROUP GASKET 80x70x2 mm
9	1184009	STAINLESS STEEL M8x25 mm STUD
11	1120265	MECHANICAL BLOCK PARKER 3 WAYS
11	1120330	3-WAY SOLENOID VALVE LUCIFER 240V 50Hz
11	1120332	COIL LUCIFER/PARKER 220/240V 9W 50Hz
11	1120334	3-WAY MECHANICAL COMPONENT LUCIFER
11	1120339	3-WAY MECHANICAL COMPONENT PARKER
11	1120351	3-WAY SOLENOID VALVE PARKER 230V 50/60Hz
11	3120032	COIL PARKER ZB09 9W 220/240V 50/60Hz
12	1186611	O-RING 02025 RED SILICONE
12	1186612	O-RING 02025 VITON
13	1439001	CAP ø 16 mm FOR BREW GROUP
14	1160517	WATER FILTER ø 8.5x22 mm
15	1186326	PTFE FLAT GASKET ø 22x16x2 mm
16	1501522	NOZZLE M6x1 HOLE ø 0,75 mm
17	1027016	UPPER CHROMIUM-PLATED SLEEVE
18	1186328	PTFE FLAT GASKET ø 35x30x2 mm
19	3186183	O-RING 0128 EPDM
20	1439011	CHROMIUM-PLATED SIDE CAP
21	1186328	PTFE FLAT GASKET ø 35x30x2 mm
22	1449349	DRAIN FITTING ø 1/8"Fx8 mm
23	1455034	CYLINDER HEAD SCREW M4x10
24	1349007	DRAIN CHROMIUM-PLATED FITTING
25	1186356	O-RING 03075 EPDM
26	1324024	INFUSER SPINDLE
27	1250548	SPRING ø 11x58 mm INFUSION
28	1186328	PTFE FLAT GASKET ø 35x30x2 mm
29	1027018	OUTLET CHROMIUM-PLATED SLEEVE
31	1501561	GROUP SPRAY NOZZLE ø 30 mm M10x1
32	1081016	SHOWER SCREEN ø 60 mm
32	1081116	SHOWER SCREEN ø 60 mm
32	1081216	SHOWER SCREEN ø 60 mm
32	1081516	SHOWER ø 60 mm
33	1186061	FILTER HOLDER GASKET ø 72.5x57x8 mm
33	1186622	GASKET FILTER HOLDER ø 72x56x8 mm
34	1160339	BLIND FILTER
35	1160251	1 CUP FILTER 6 g
36	1160252	2-CUP FILTER 12 GRAMS
37	1250101	FILTER BLOCKING SPRING ø 1,00 mm INOX
38	1165022	FILTER HOLDER COFFEE MACHINES
39	1241501	FILTER HOLDER HANDLE M12
40	1165003	FILTER HOLDER ASSEMBLY BRASILIA
41	1022501	SINGLE SPOUT ø 3/8"
41	1022503	STRAIGHT SINGLE SPOUT ø 3/8"
42	1022502	DOUBLE SPOUT ø 3/8"
43	1385002	NYLON COFFEE TAMPER ø 50/57 mm
44	1069001	PLASTIC MEASURING SPOON 20 ml
45	1385053	ANODISED ALUMINUM TAMPER ø 58 mm
46	1186508	COFFEE GROUP GASKET 77x73x2 mm
47	1069002	STAINLESS STEEL MEASURING SPOON 20 ml
50	1190002	RUBBER SHIM ø 73x59x1 mm EPDM
51	1190001	PAPER SHIM ø 73x59x0.8 mm
52	1160335	1 CUP FILTER 7 g
53	1160337	2-CUP FILTER 14 GRAMS
54	1384002	BRUSH FOR MAINTENANCE
55	1384001	BRUSH FOR COFFEE SHOWER



BREW GROUP ROMA

ROMA



BF0501



BRASILIA



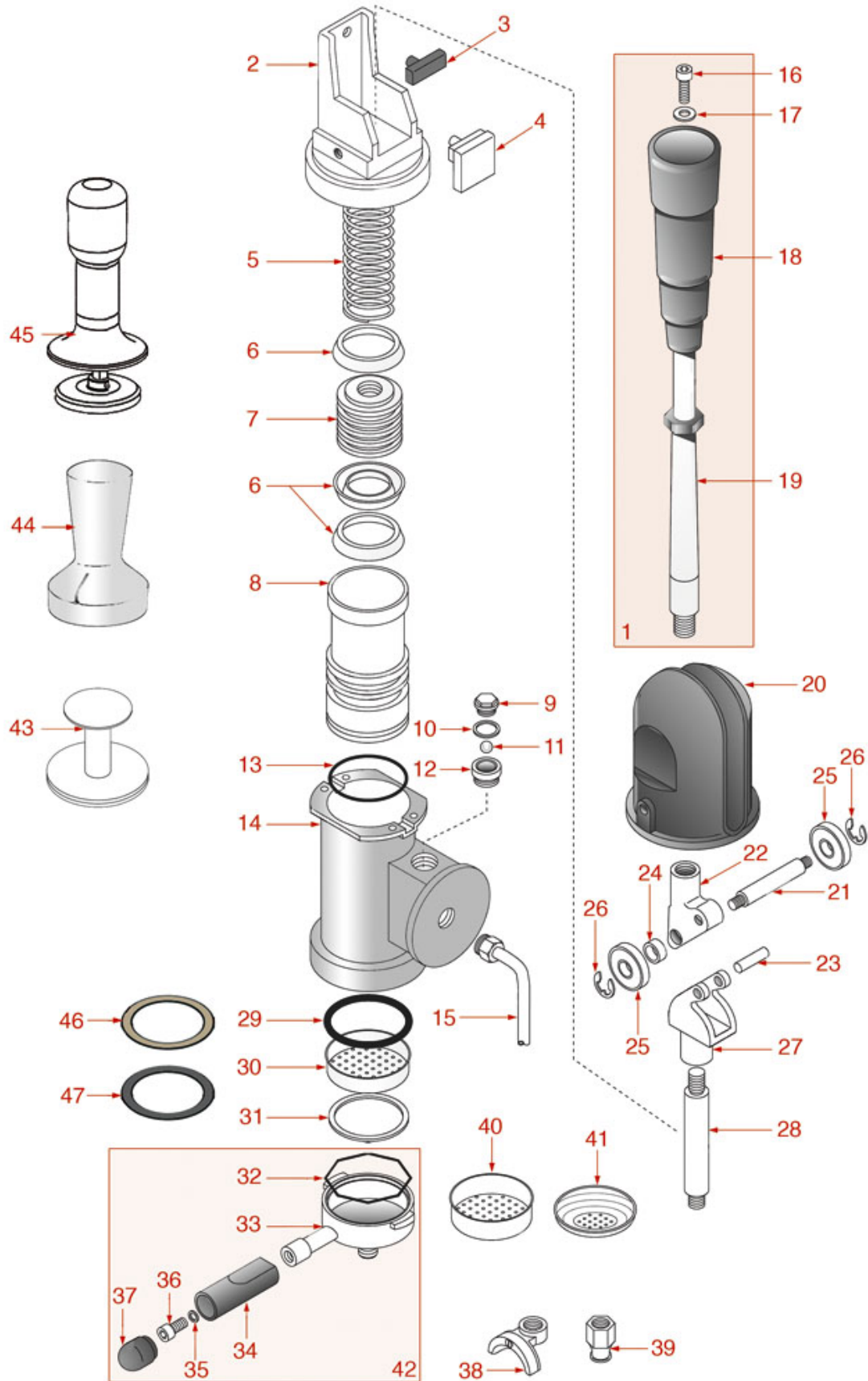
Position	LF code no.	Description
1	1186611	O-RING 02025 RED SILICONE
1	1186612	O-RING 02025 VITON
2	1439003	CAP ø 18 mm FOR BREW GROUP
3	1186414	O-RING 0119 EPDM
4	1160501	WATER FILTER ø 14x10x12 mm
5	1500530	NOZZLE M5x1 HOLE ø 0.75 mm
6	1449349	DRAIN FITTING ø 1/8"Fx8 mm
7	1120101	3-WAY SOLENOID VALVE PARKER 115V 50/60Hz
7	1120330	3-WAY SOLENOID VALVE LUCIFER 240V 50Hz
7	1120332	COIL LUCIFER/PARKER 220/240V 9W 50Hz
7	1120334	3-WAY MECHANICAL COMPONENT LUCIFER
7	1120335	3-WAY SOLENOID VALVE PARKER 230V 50/60Hz
7	1120339	3-WAY MECHANICAL COMPONENT PARKER
7	3120032	COIL PARKER ZB09 9W 220/240V 50/60Hz
8	1186652	COFFEE GROUP GASKET 77x51x3 mm
9	1184008	HEXAGON HEAD SCREW M8x25
11	1186803	O-RING 02037 EPDM
12	1186654	FILTER HOLDER GASKET ø 70x57x8 mm
13	3160044	O-RING 03187 EPDM
15	1081002	SHOWER SCREEN ø 51.5 mm
16	1528501	COUNTERSUNK HEAD SCREWS WITH SHELLM5x12
17	1250101	FILTER BLOCKING SPRING ø 1,00 mm INOX
19	1022550	SINGLE SPOUT ø 3/8"
20	1022524	DOUBLE SPOUT ø 3/8"
22	1528008	WASHER FLAT M8
23	1186058	COGGED WASHER EXTERNAL M8
24	1184003	LOW CYLINDER HEAD SCREW M8x45
27	1160339	BLIND FILTER
28	1160251	1 CUP FILTER 6 g
29	1160252	2-CUP FILTER 12 GRAMS
30	1069001	PLASTIC MEASURING SPOON 20 ml
31	1385053	ANODISED ALUMINUM TAMPER ø 58 mm
32	1385002	NYLON COFFEE TAMPER ø 50/57 mm
33	1069002	STAINLESS STEEL MEASURING SPOON 20 ml
34	1190051	PAPER SEAL ø 70x57x0.8 mm
35	1190003	RUBBER SHIM ø 70x57x1 mm EPDM
38	1384001	BRUSH FOR COFFEE SHOWER
39	1385600	DYNAMOMETRIC MANUAL COFFEE TAMPER ø 57mm
39	1385602	MANUAL DYNAMOMETRICAL TAMPER ø 57 mm
40	1384002	BRUSH FOR MAINTENANCE
41	1384001	BRUSH FOR COFFEE SHOWER
42	1160335	1 CUP FILTER 7 g
43	1160337	2-CUP FILTER 14 GRAMS



BRASILIA



LEVER BREW GROUP



BF0601

Positions without LF code no.: upon request



BRASILIA

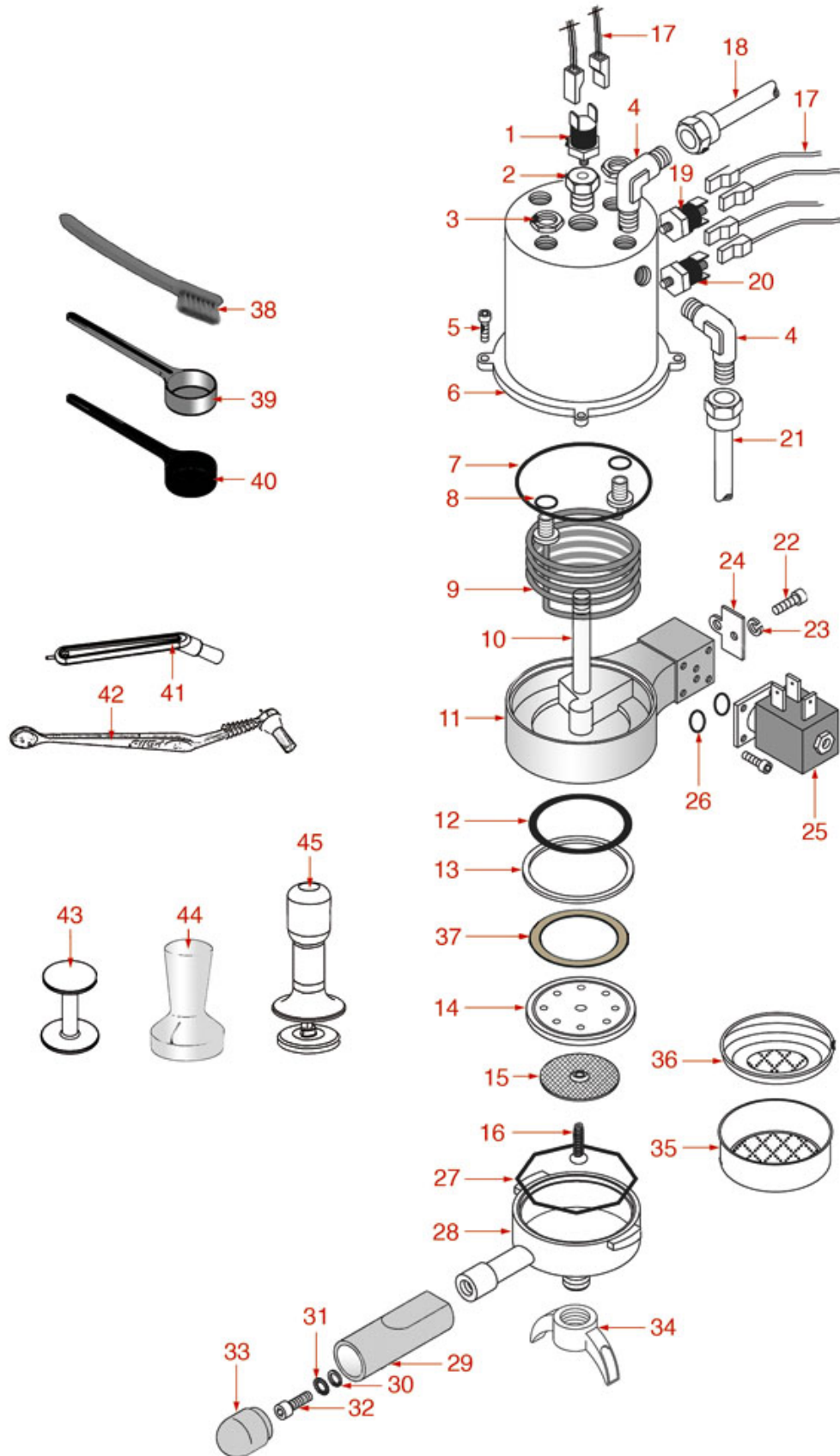


Position	LF code no.	Description
3	1186205	RUBBER SHOCK ABSORBER
4	1186046	RUBBER SHOCK ABSORBER
5	1250501	LEVER GROUP SPRING
6	1186197	LIP SEAL \varnothing 52x40x7 mm
9	1439200	CAP \varnothing 18 mm FOR BREW GROUP
10	1186414	O-RING 0119 EPDM
11	1323200	STAINLESS STEEL BALL \varnothing 12 mm
12	1523404	NON-RETURN VALVE
13	1186199	O-RING 0162 EPDM
16	1528026	CYLINDER HEAD SCREW M8x20
17	1186058	COGGED WASHER EXTERNAL M8
18	1241200	LEVER GROUP HANDLE
19	1225001	COMPLETE LEVER GROUP HANDLE
20	1192200	CAP FOR COFFEE GROUP
21	1324200	PIN FOR BEARING
22	1192202	CHROMIUM-PLATED FORK FOR LEVER GROUP
23	1324053	LEVER GROUP ARTICULATION PIN \varnothing 9x28 mm
25	1063200	BEARING 6300 DDU NSK
26	1348023	RADIAL SEEGER RING \varnothing 9 mm
29	1186198	O-RING 0161 EPDM
30	1081009	SHOWER \varnothing 61 mm
31	1186061	FILTER HOLDER GASKET \varnothing 72.5x57x8 mm
32	1250101	FILTER BLOCKING SPRING \varnothing 1,00 mm INOX
35	1186058	COGGED WASHER EXTERNAL M8
36	1528026	CYLINDER HEAD SCREW M8x20
38	1022502	DOUBLE SPOUT \varnothing 3/8"
39	1022501	SINGLE SPOUT \varnothing 3/8"
39	1022503	STRAIGHT SINGLE SPOUT \varnothing 3/8"
40	1160252	2-CUP FILTER 12 GRAMS
41	1160251	1 CUP FILTER 6 g
43	1385002	NYLON COFFEE TAMPER \varnothing 50/57 mm
44	1385053	ANODISED ALUMINUM TAMPER \varnothing 58 mm
45	1385600	DYNAMOMETRIC MANUAL COFFEE TAMPER \varnothing 57mm
45	1385602	MANUAL DYNAMOMETRICAL TAMPER \varnothing 57 mm
46	1190011	PAPER SEAL \varnothing 72x58x0.8 mm
47	1190002	RUBBER SHIM \varnothing 73x59x1 mm EPDM



BREW GROUP CLUB-LADY

CLUB-LADY





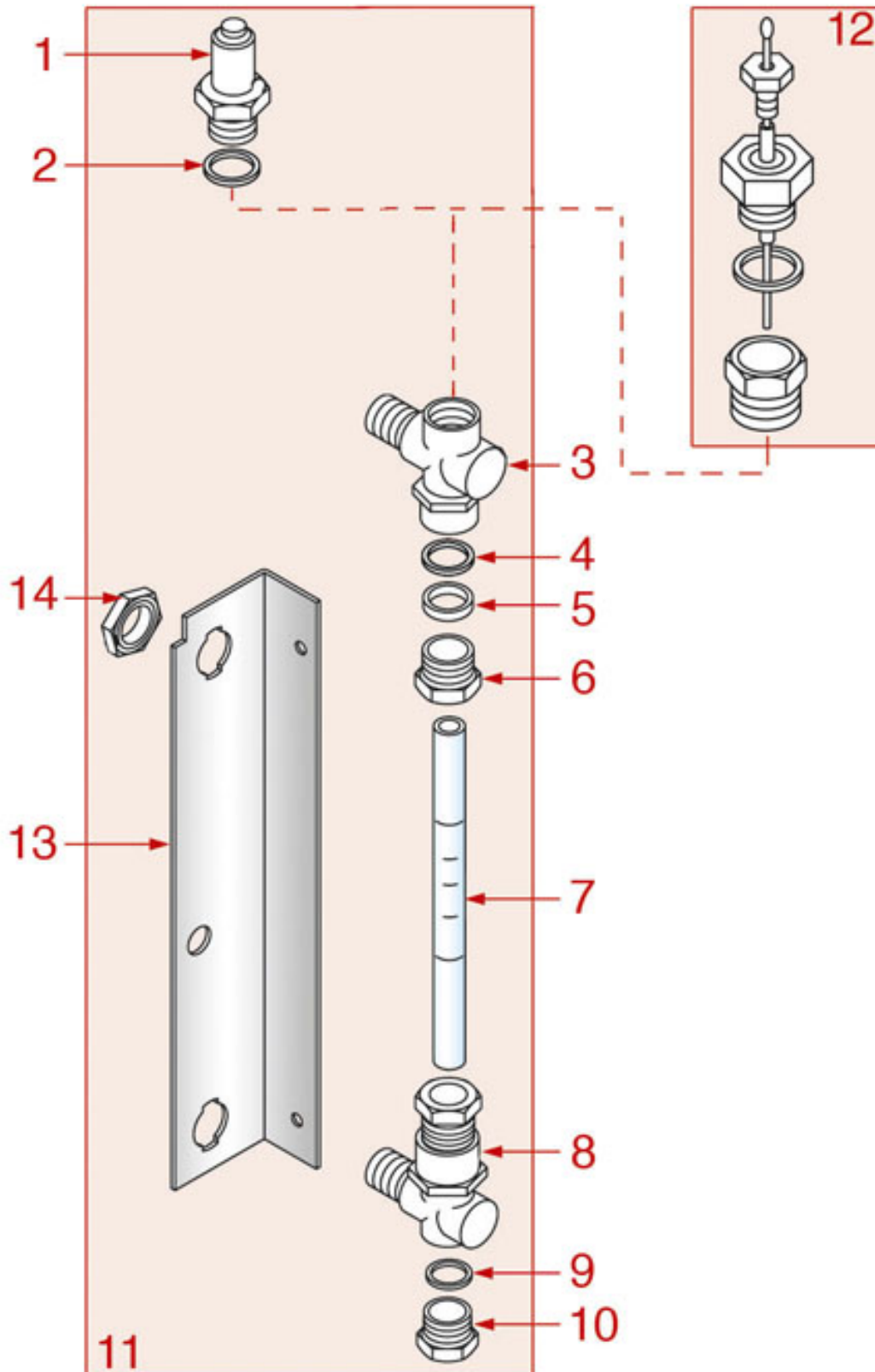
BRASILIA



Position	LF code no.	Description
1	1443005	CONTACT THERMOSTAT 98°C M4
1	1443400	CONTACT THERMOSTAT 107°C M4
1	3443026	CONTACT THERMOSTAT 110°C M4
3	1755006	NUT ø 1/4"
4	1349013	L-FITTING ø 1/8"M-1/8"M NICKEL-PLATED
5	1184006	LOW CYLINDER HEAD SCREW M4x12
7	1186625	GASKET OR 03281 EPDM
8	3060608	O-RING O3050 EPDM
9	1755340	HEATING ELEMENT 1200W 220V
9	1755638	HEATING ELEMENT 1200W 110V
12	3160044	O-RING 03187 EPDM
13	1186063	FILTER HOLDER GASKET ø 64x55x5 mm
15	1081002	SHOWER SCREEN ø 51.5 mm
16	1528501	COUNTERSUNK HEAD SCREWS WITH SHELLM5x12
19	1443004	CONTACT THERMOSTAT 145°C M4
20	1443002	CONTACT THERMOSTAT 165°C M4
24	1186059	COFFEE GROUP GASKET 35x32x1.5 mm
25	1120004	3-WAY SOLENOID VALVE OLAB 230V 50Hz
26	1186611	O-RING 02025 RED SILICONE
26	1186612	O-RING 02025 VITON
27	1250101	FILTER BLOCKING SPRING ø 1,00 mm INOX
30	1528008	WASHER FLAT M8
31	1186058	COGGED WASHER EXTERNAL M8
32	1528026	CYLINDER HEAD SCREW M8x20
34	1022524	DOUBLE SPOUT ø 3/8"
35	1160337	2-CUP FILTER 14 GRAMS
37	1190007	RUBBER PIECE ø 64x53x1 mm EPDM
37	1190101	PAPER SEAL ø 64x53x0.7 mm
38	1384002	BRUSH FOR MAINTENANCE
39	1069002	STAINLESS STEEL MEASURING SPOON 20 ml
40	1069001	PLASTIC MEASURING SPOON 20 ml
41	1384001	BRUSH FOR COFFEE SHOWER
42	1384003	BLACK SHOWER CLEANING BRUSH
43	1385002	NYLON COFFEE TAMPER ø 50/57 mm
44	1385054	ANODISED ALUMINUM TAMPER ø 53 mm
45	1385601	DYNAMOMETRIC MANUAL TAMPER ø 52 mm



LEVEL GROUP



BF0801



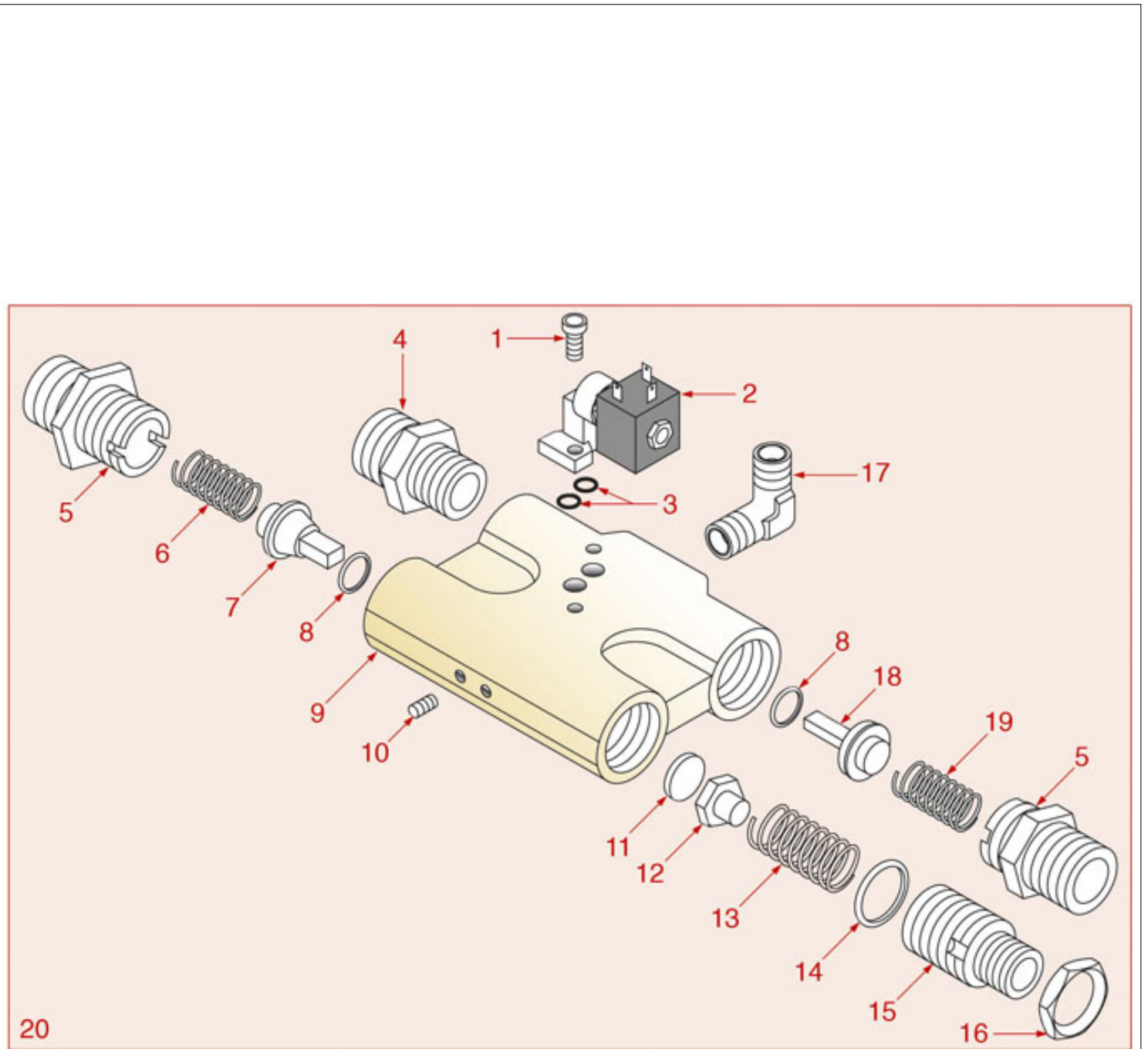
BRASILIA



Position	LF code no.	Description
1	1523004	BOILER VALVE \varnothing 1/4"M
2	1186039	ASBESTOS FREE FLAT GASKET \varnothing 17x13x2 mm
3	1349008	LEVEL BODY
4	1186318	O-RING 03043 EPDM
5	1786037	STUFFING GLAND RING \varnothing 15x11.5x3 mm
6	1349070	FITTING \varnothing 3/8"M HOLE \varnothing 12 mm
7	1520522	LEVEL GLASS \varnothing 11x135 mm SILK-SCREEN PRIN
8	1349008	LEVEL BODY
9	1186619	COPPER FLAT GASKET \varnothing 18x14x1.5 mm
10	1439049	LEVEL CAP \varnothing 1/4"M
11	1201001	LEVEL GLASS ASSEMBLY
12	1341001	LEVEL PROBE \varnothing 1/4"M-125 mm



VALVE GROUP MIGNON



BF0901



BRASILIA

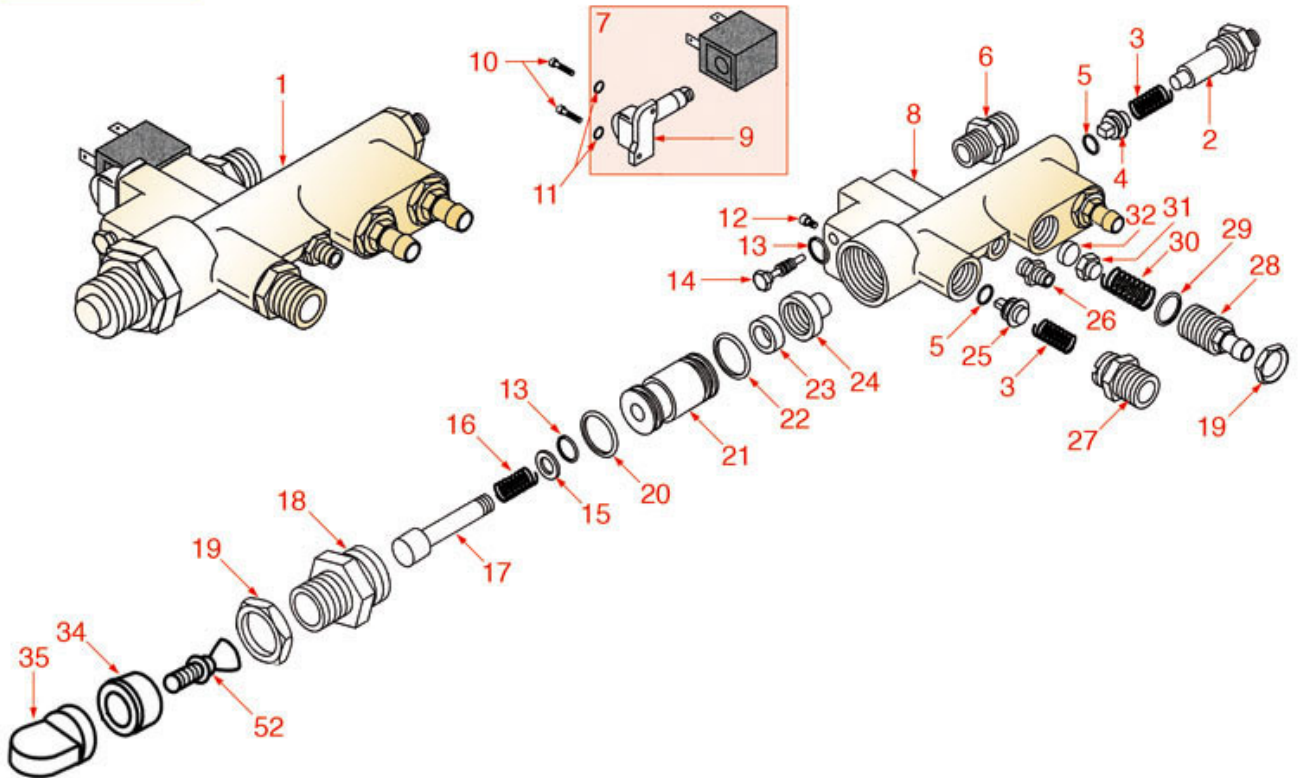


Position	LF code no.	Description
2	1120340	2-WAY SOLENOID VALVE OLAB 230V 50Hz
3	1186611	O-RING 02025 RED SILICONE
3	1186612	O-RING 02025 VITON
6	1250201	NON-RETURN VALVE SPRING ø 8x20 mm
7	1523539	SQUARE NON-RETURN VALVE
8	1186411	O-RING 02031 EPDM
11	1186412	BLIND GASKET ø 11x4 mm EPDM
13	1250203	SPRING ø 11x30 mm
14	1186414	O-RING 0119 EPDM
17	1349013	L-FITTING ø 1/8"M-1/8"M NICKEL-PLATED
18	1523401	SQUARE NON-RETURN VALVE
19	1250202	SPRING ø 8x30 mm

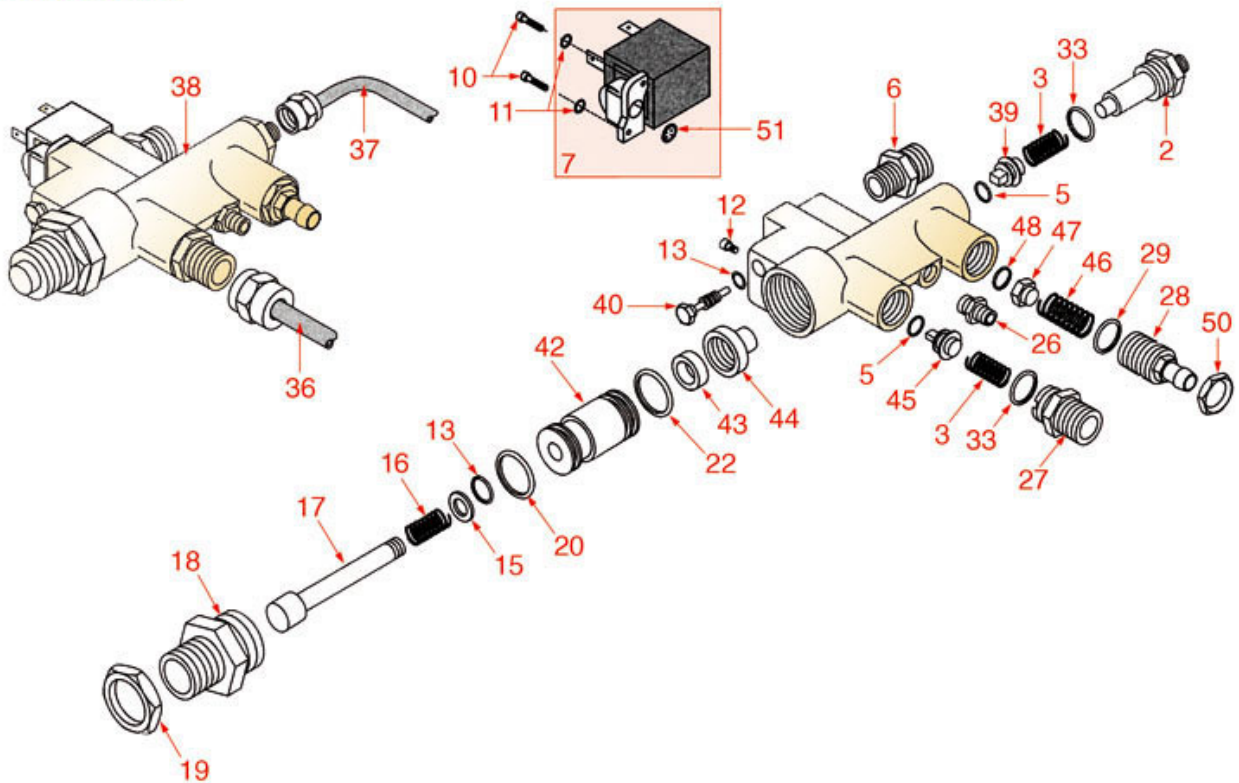


TAP GROUP THIRD AND FOURTH SERIES

TERZA SERIE



QUARTA SERIE





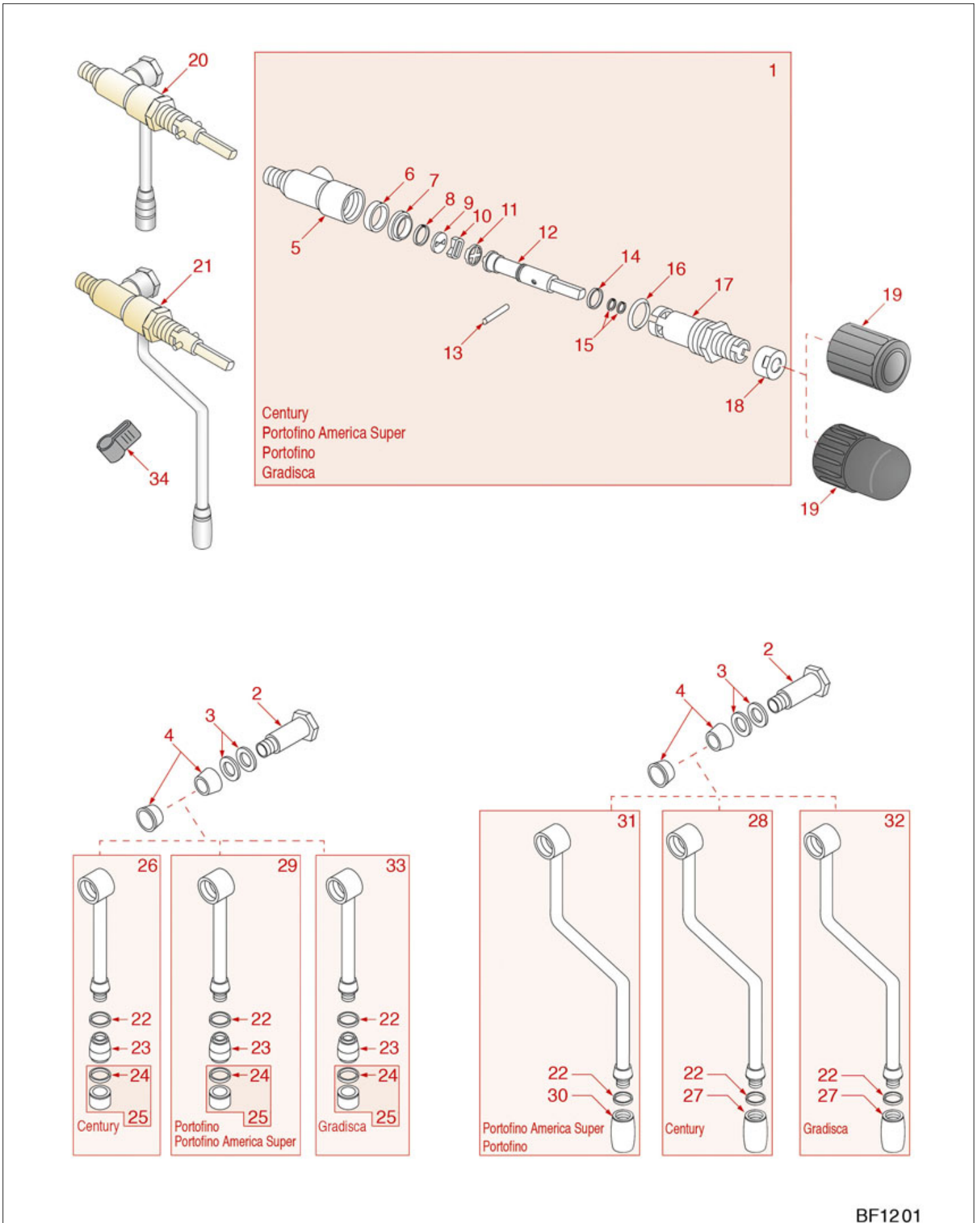
BRASILIA



Position	LF code no.	Description
3	1250202	SPRING \varnothing 8x30 mm
4	1523401	SQUARE NON-RETURN VALVE
5	1186422	O-RING 0108 EPDM
7	1120340	2-WAY SOLENOID VALVE OLAB 230V 50Hz
11	1186611	O-RING 02025 RED SILICONE
11	1186612	O-RING 02025 VITON
12	1455034	CYLINDER HEAD SCREW M4x10
13	1186421	O-RING 02018 EPDM
14	1528036	TAP SCREW
16	1250204	TAP ROD SPRING \varnothing 7x33 mm
20	1186223	O-RING 02056 EPDM
22	1186424	O-RING GASKET 02062 EPDM
23	1186423	EPDM FLAT GASKET \varnothing 11x4x4 mm
25	1523539	SQUARE NON-RETURN VALVE
26	3349318	NICHEL-PLATED FITTING \varnothing 1/8"M-1/8"M
29	1186484	ORM GASKET 0140-20 NBR
29	3060608	O-RING O3050 EPDM
30	1250203	SPRING \varnothing 11x30 mm
32	1186412	BLIND GASKET \varnothing 11x4 mm EPDM
33	1186594	FLAT PTFE GASKET \varnothing 20x17x2 mm
43	1186423	EPDM FLAT GASKET \varnothing 11x4x4 mm
44	1349027	GASKET HOLDER FOR TAP
45	1523006	NON-RETURN VALVE
47	1186389	GASKET HOLDER FOR TAP
48	1186129	FLAT EPDM GASKET \varnothing 15/6x10 mm
50	1348033	NUT \varnothing 1/2" KEY 25x4 mm FINE
51	1160011	WATER FILTER \varnothing 9 mm



CERAMIC WATER-STEAM TAP





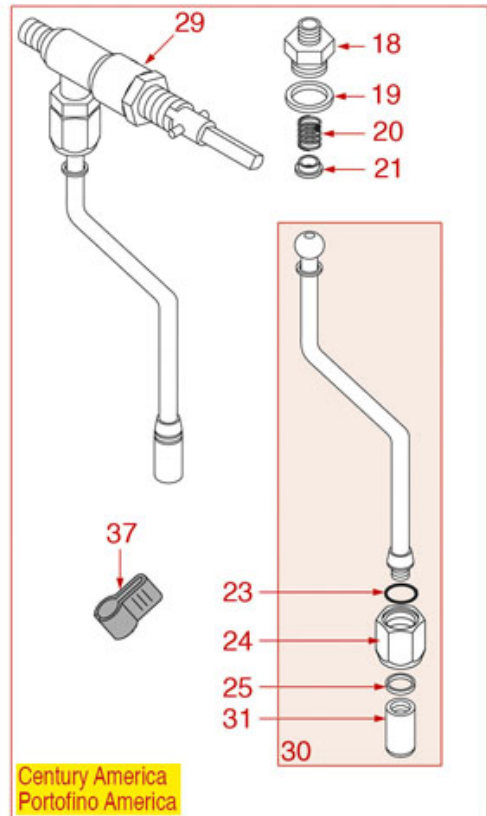
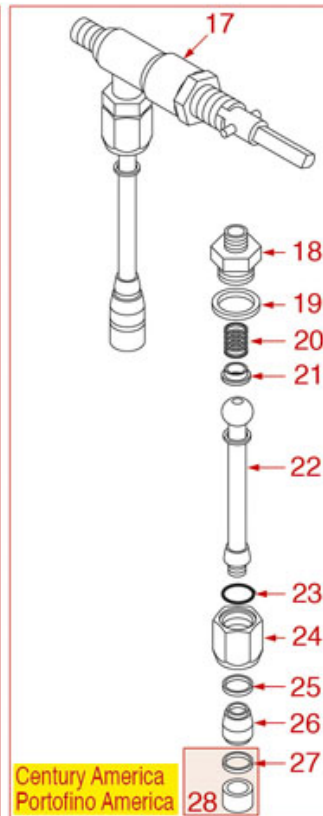
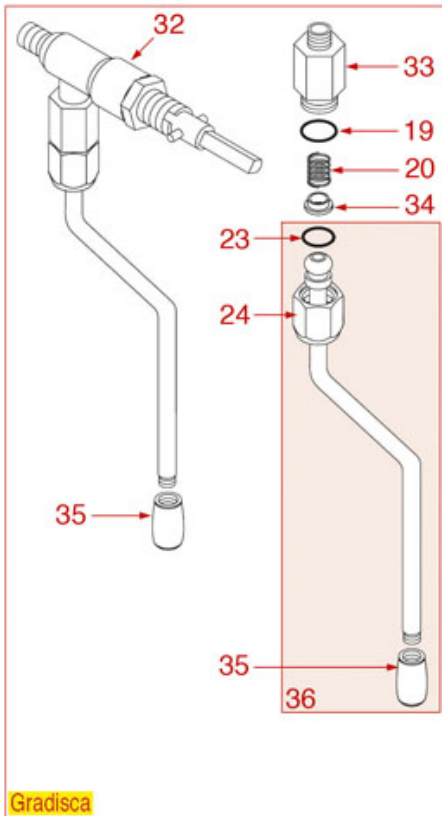
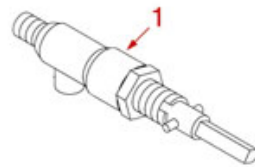
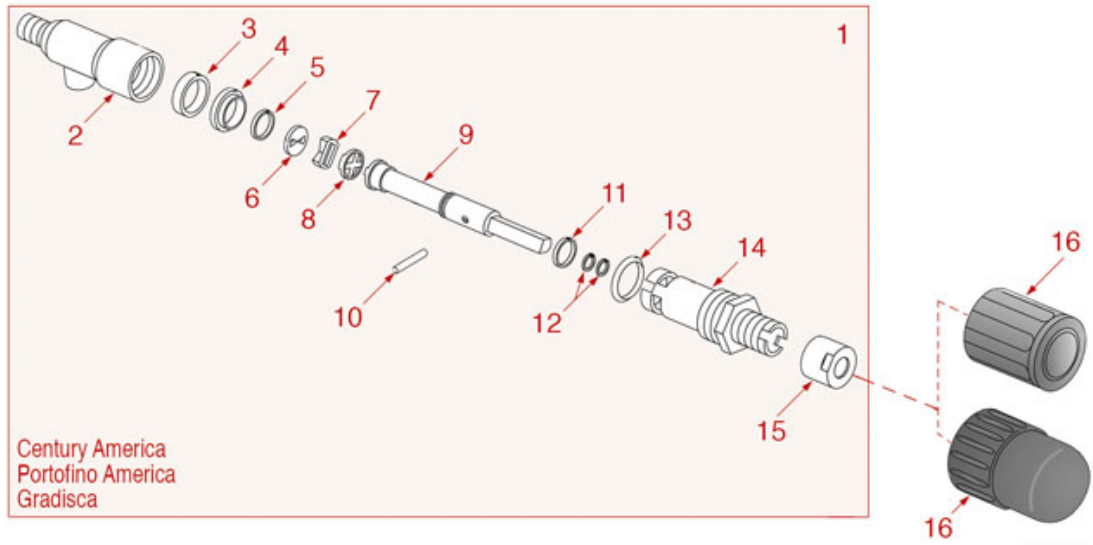
BRASILIA



Position	LF code no.	Description
2	1348334	ARTICULATION SCREW
4	1186602	CONICAL PTFE SEAL \varnothing 14.5x10x5 mm
13	1348216	CLASP \varnothing 2x16 mm
14	1186661	FLAT PTFE GASKET \varnothing 13x15.5x1 mm
15	1186611	O-RING 02025 RED SILICONE
16	1186833	O-RING 03100 EPDM
22	1186065	FLAT GASKET \varnothing 12x10x1 mm PTFE
23	1449332	WATER PIPE NOZZLE
24	1186066	FLAT GASKET \varnothing 21x15x3 mm EPDM
25	1449018	WATER PIPE NOZZLE
26	1449343	COMPLETE WATER PIPE
27	1449016	STEAM SPRINKLER \varnothing 1/8" F 4 HOLES
28	1449335	STEAM PIPE COMPLETE
29	1449331	WATER PIPE
30	1449020	STEAM NOZZLE
31	1449335	STEAM PIPE COMPLETE
34	1186080	STEAM PIPE CLIP \varnothing 10 mm



CERAMIC WATER-STEAM TAP





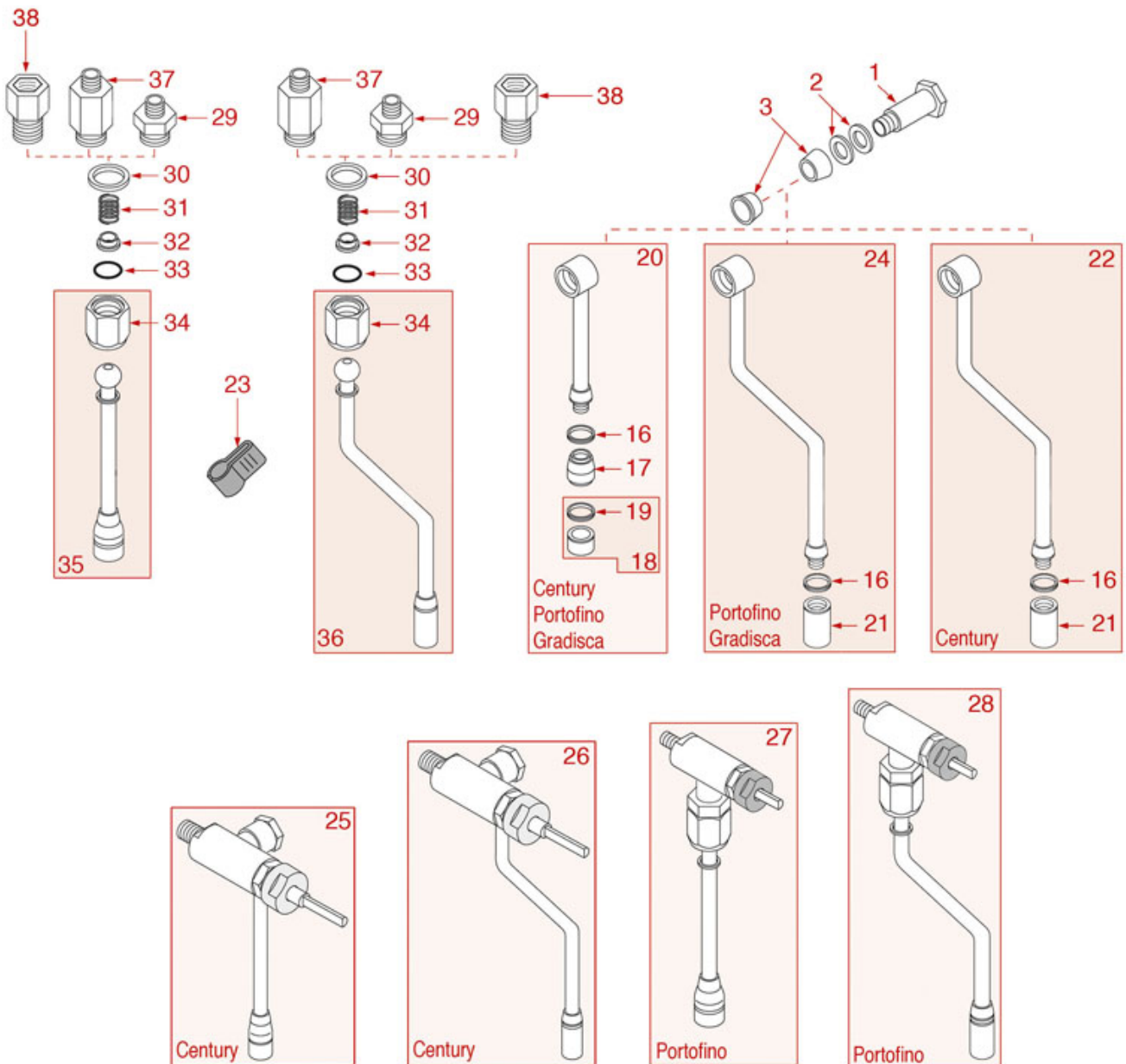
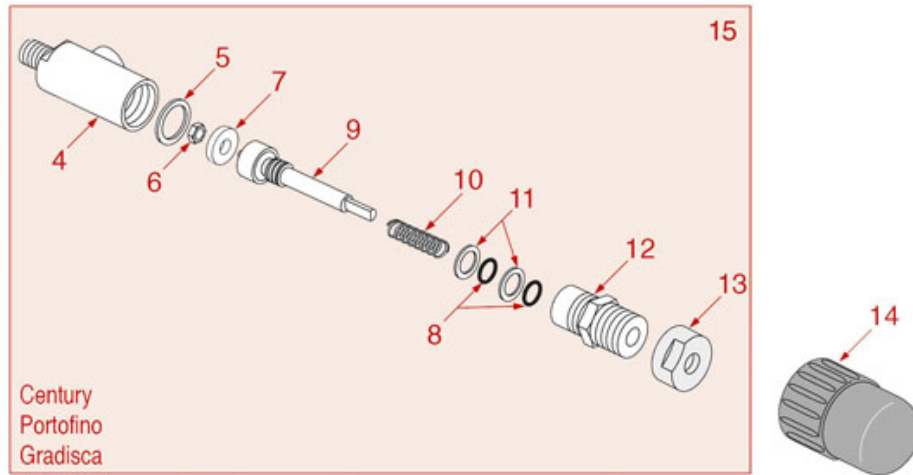
BRASILIA



Position	LF code no.	Description
10	1348216	CLASP \varnothing 2x16 mm
11	1186661	FLAT PTFE GASKET \varnothing 13x15.5x1 mm
12	1186611	O-RING 02025 RED SILICONE
13	1186833	O-RING 03100 EPDM
18	3349322	NICHEL-PLATED FITTING \varnothing 1/8"M-3/8"M
19	1186067	ROUND COPPER GASKET \varnothing 23x17x3 mm
19	3186434	O-RING 0121 EPDM
20	1250151	SPRING \varnothing 12x15 mm FOR STEAM PIPE
21	1186670	STEAM PIPE ARTICULATION BUSHING \varnothing 12x5mm
23	3060608	O-RING O3050 EPDM
24	1349064	NUT \varnothing 3/8"F FOR WATER STEAM PIPE
25	1186065	FLAT GASKET \varnothing 12x10x1 mm PTFE
26	1449332	WATER PIPE NOZZLE
27	1186066	FLAT GASKET \varnothing 21x15x3 mm EPDM
28	1449018	WATER PIPE NOZZLE
31	1449020	STEAM NOZZLE
34	1186668	WATER/STEAM PIPE BUSHING \varnothing 12x5 mm
36	1449344	STEAM PIPE COMPLETE
37	1186080	STEAM PIPE CLIP \varnothing 10 mm



WATER-STEAM TAP WITH RUBBER SEAL





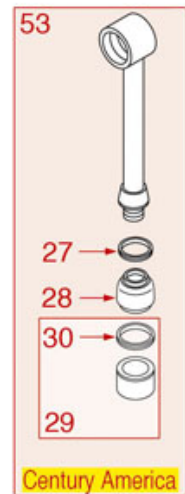
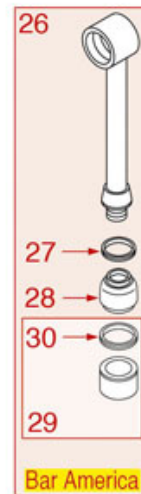
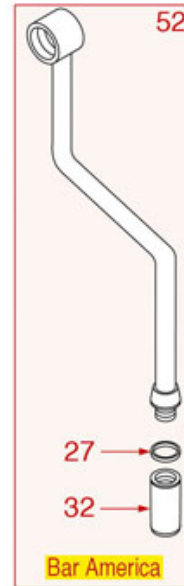
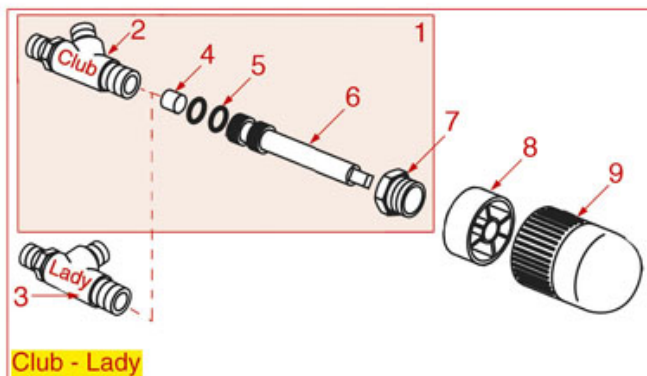
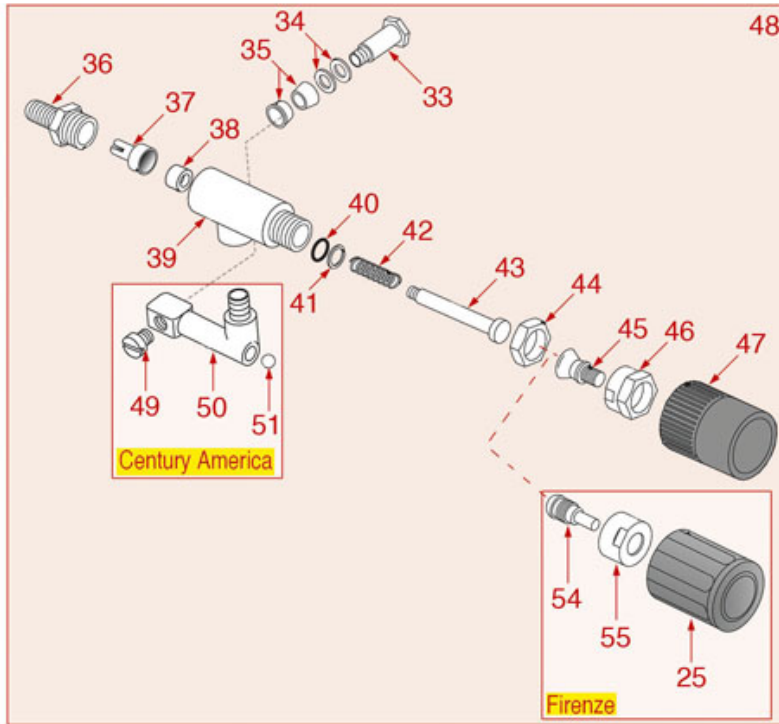
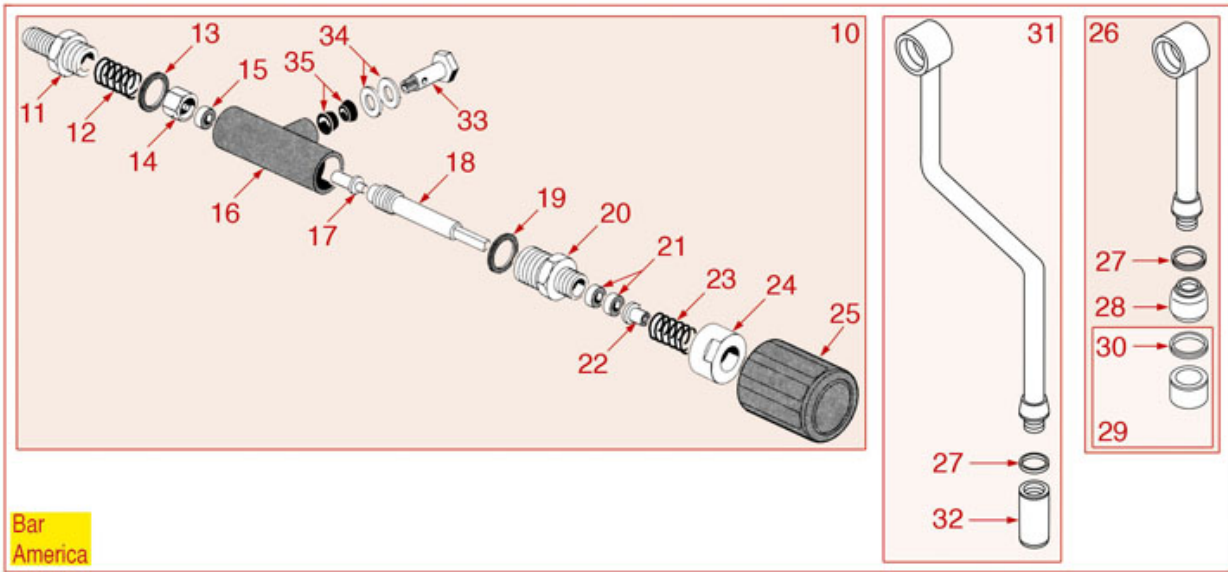
BRASILIA



Position	LF code no.	Description
1	1348334	ARTICULATION SCREW
3	1186602	CONICAL PTFE SEAL \varnothing 14.5x10x5 mm
5	1186044	COPPER FLAT GASKET \varnothing 24x20x1 mm
6	1348025	HEXAGONAL NUT M3
7	1186311	NBR FLAT GASKET \varnothing 13x4x4 mm
8	1186556	O-RING R6 EPDM
10	1250074	SPRING \varnothing 10.5x27 mm
15	1348356	RUBBER SEAL TAP 2000
16	1186065	FLAT GASKET \varnothing 12x10x1 mm PTFE
17	1449332	WATER PIPE NOZZLE
18	1449018	WATER PIPE NOZZLE
19	1186066	FLAT GASKET \varnothing 21x15x3 mm EPDM
20	1449331	WATER PIPE
21	1449020	STEAM NOZZLE
23	1186080	STEAM PIPE CLIP \varnothing 10 mm
24	1449335	STEAM PIPE COMPLETE
29	3349322	NICHEL-PLATED FITTING \varnothing 1/8"M-3/8"M
30	1186067	ROUND COPPER GASKET \varnothing 23x17x3 mm
31	1250151	SPRING \varnothing 12x15 mm FOR STEAM PIPE
32	1186670	STEAM PIPE ARTICULATION BUSHING \varnothing 12x5mm
33	3060608	O-RING O3050 EPDM
34	1349064	NUT \varnothing 3/8"F FOR WATER STEAM PIPE
35	1449012	COMPLETE WATER PIPE



TAP CLUB-LADY-BAR-AMERICA





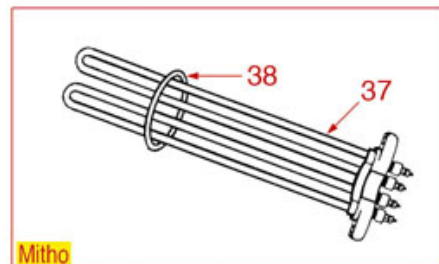
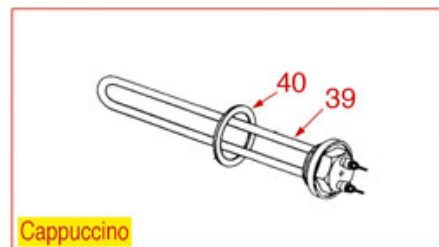
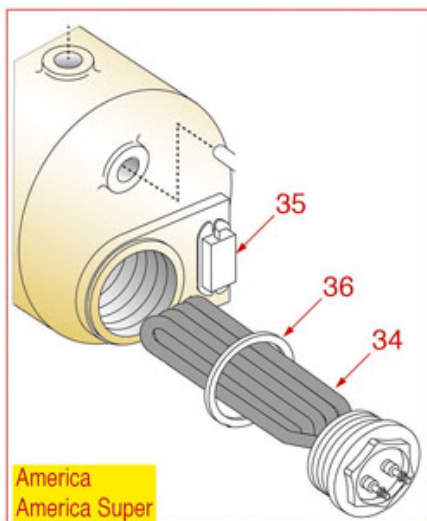
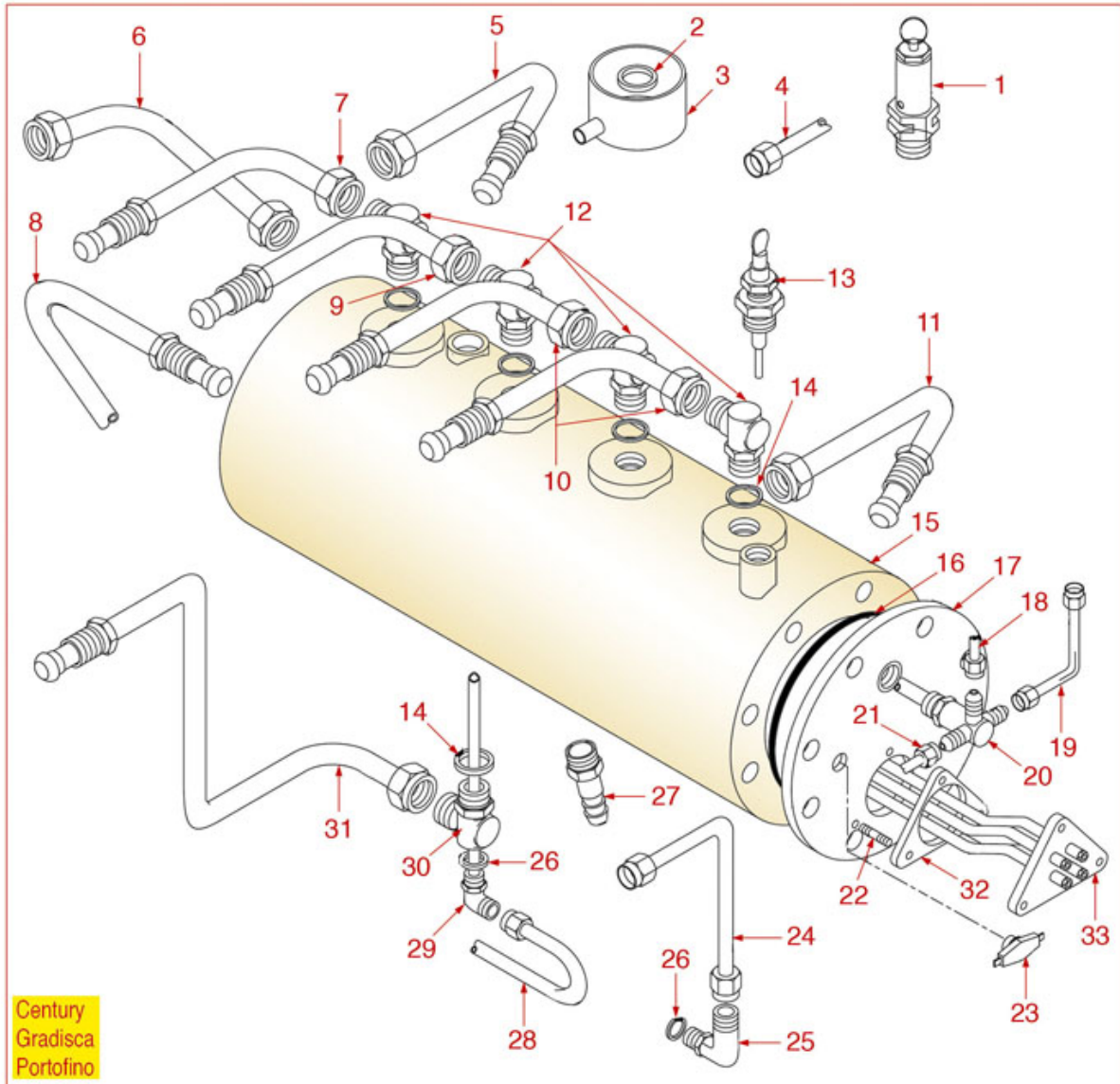
BRASILIA



Position	LF code no.	Description
5	1186411	O-RING 02031 EPDM
10	1348330	BAR TAP ASSEMBLY
13	1186117	PTFE FLAT GASKET \varnothing 26x21x2 mm
15	1186161	FLAT EPDM GASKET \varnothing 13x4x4 mm
19	1186117	PTFE FLAT GASKET \varnothing 26x21x2 mm
21	1186057	FLAT EPDM GASKET \varnothing 15.3x7.7x4 mm
23	1250521	SPRING \varnothing 15x17 mm
26	1449331	WATER PIPE
27	1186065	FLAT GASKET \varnothing 12x10x1 mm PTFE
28	1449332	WATER PIPE NOZZLE
29	1449018	WATER PIPE NOZZLE
30	1186066	FLAT GASKET \varnothing 21x15x3 mm EPDM
31	1449335	STEAM PIPE COMPLETE
32	1449020	STEAM NOZZLE
33	1348334	ARTICULATION SCREW
35	1186602	CONICAL PTFE SEAL \varnothing 14.5x10x5 mm
38	1186423	EPDM FLAT GASKET \varnothing 11x4x4 mm
40	1186421	O-RING 02018 EPDM
46	1348344	CHROMIUM-PLATED NUT 3/8
51	1323003	STAINLESS STEEL BALL \varnothing 8 mm
52	1449335	STEAM PIPE COMPLETE
53	1449343	COMPLETE WATER PIPE
54	1348348	WATER/STEAM TAP PIN



BOILER CENTURY-GRADISCA-PORTOFINO





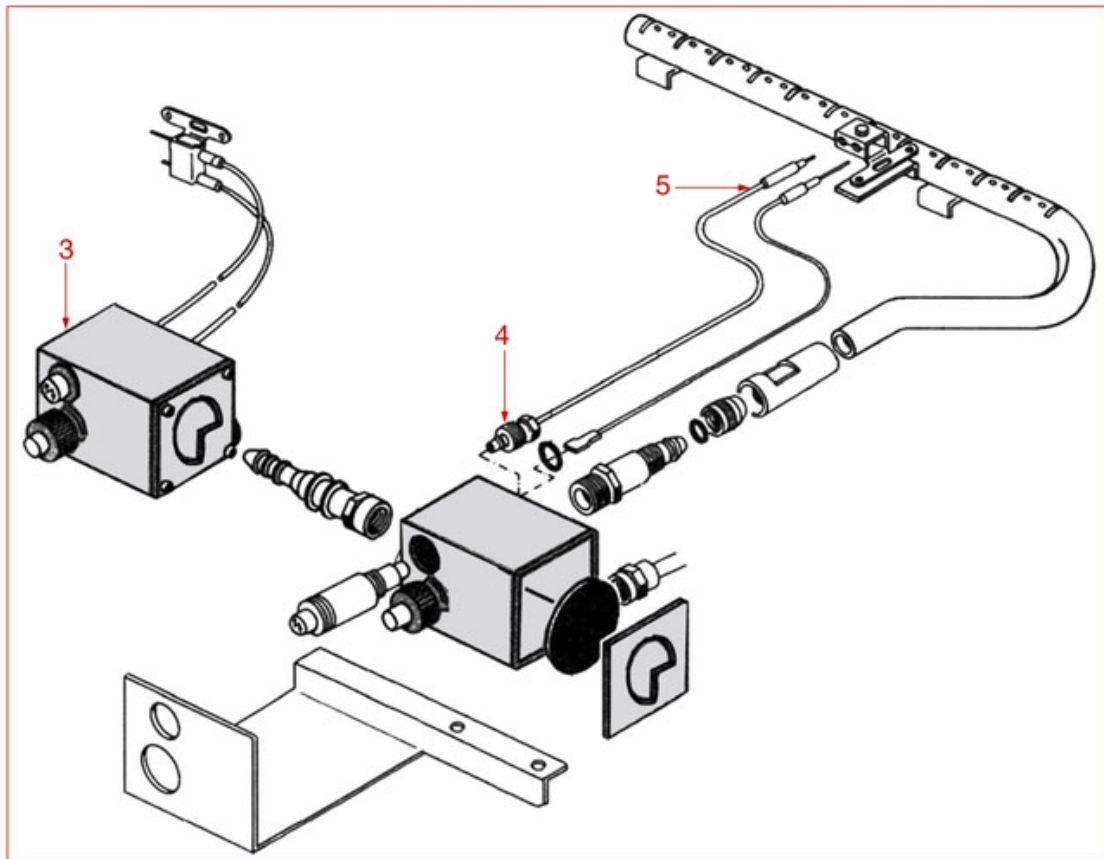
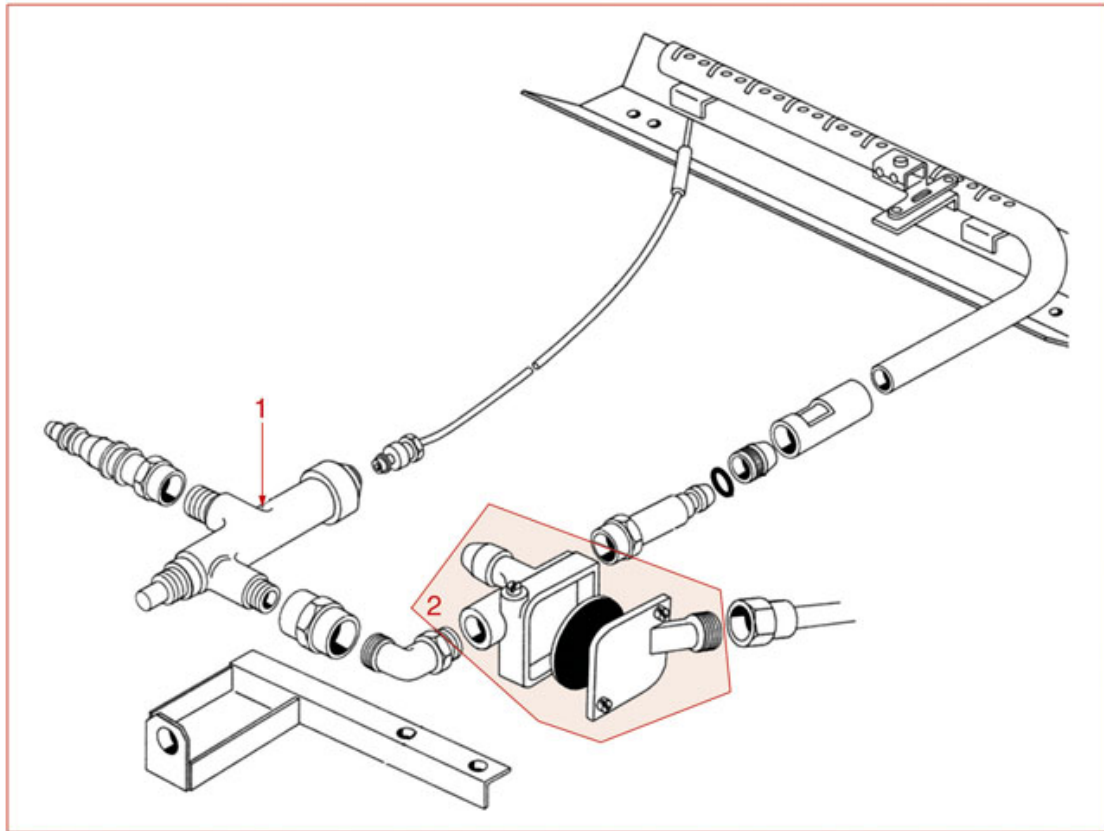
BRASILIA



Position	LF code no.	Description
1	1515100	BOILER VALVE \varnothing 3/8"M 1.8bar CE-PED
1	1523003	BOILER VALVE \varnothing 3/8"M - 1.6 bar CE/PED
2	1186067	ROUND COPPER GASKET \varnothing 23x17x3 mm
12	1349014	BOILER FITTING \varnothing 1/2"M-1/2"M
13	1341001	LEVEL PROBE \varnothing 1/4"M-125 mm
14	1186047	ROUND COPPER GASKET \varnothing 28x22x3 mm
16	1186618	BOILER GASKET \varnothing 142x130x3 mm
22	1184009	STAINLESS STEEL M8x25 mm STUD
26	1186048	ROUND COPPER GASKET \varnothing 19x13x2.7 mm
29	1449010	INJECTOR PIPE \varnothing 1/4"M
30	1349278	BOILER FITTING \varnothing 1/2"M-1/2"M-1/4"F
32	1186634	TRIANGULAR GASKET FOR HEATING ELEMENT
33	1755002	HEATING ELEMENT 3500W 230V
33	1755003	HEATING ELEMENT 5000W 230V
33	1755217	HEATING ELEMENT 4500W 230/380V
33	1755330	HEATING ELEMENT 1800W 230V
33	1755331	HEATING ELEMENT 3000W 230V
33	1755332	HEATING ELEMENT 4000W 230V
33	1755333	HEATING ELEMENT 5000W 230V
33	1755337	HEATING ELEMENT 3000W 380V
33	1755338	HEATING ELEMENT 4000W 380V
34	1755134	HEATING ELEMENT 2400W 230V
34	1755336	HEATING ELEMENT 1800W 230V
34	1755633	HEATING ELEMENT 1800W 110V
34	1755634	HEATING ELEMENT 2400W 110V
36	1186623	PTFE FLAT GASKET \varnothing 53x43x3 mm
38	3186606	O-RING 0144 EPDM
39	1755637	HEATING ELEMENT 1400W 110V



GAS SYSTEM





BRASILIA



Position	LF code no.	Description
1	3523002	VALVE M1 \varnothing 1/4"MM
1	3523006	NUT M12x1 FOR M1 VALVE
1	3523007	RING NUT M12x1 FOR M1 VALVE
1	3523052	VALVE M1 \varnothing 3/8"MM
4	3440011	SLOTTED FITTING M9x1
5	3440027	THERMOCOUPLE SIT M8x1 32 cm
5	3440028	THERMOCOUPLE SIT M8x1 60 cm
5	3440053	THERMOCOUPLE SIT M8x1 60 cm THREAD M8x1



ELECTRICAL PARTS

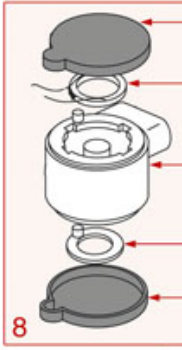
CENTURY PORTOFINO GRADISCA

CENTURY - PORTOFINO GRADISCA - FIRENZE 100 - 105 - 205 - 210

BELLE EPOQUE

CLUB - LADY

CLUB - LADY



TUTTI I MODELLI ALL MODELS ALLE MODELLE

GRADISCA - PORTOFINO CENTURY - FIRENZE 100 - 105 - 205 - 210

BELLE EPOQUE CAPPUCCINO

CLUB - LADY

CLUB - LADY

MINI - LADY

CUBIC

CENTURY - PORTOFINO

CENTURY PORTOFINO - GRADISCA

CENTURY PORTOFINO












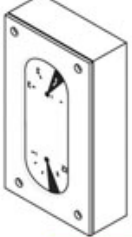
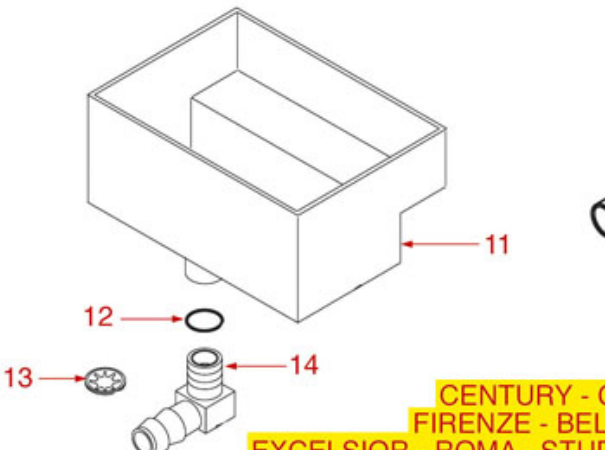
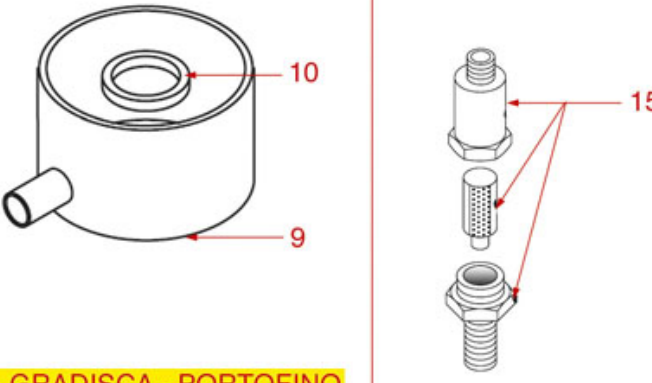


BRASILIA



Position	LF code no.	Description
4	1054542	DOSER CONTROL BOX 2 GROUPS BAR 230V
12	1054539	LEVEL REGULATOR NRL30/1E-2C/8 230V
13	3351154	BASE OCTAL ES8 10A 400V
14	1054538	LEVEL REGULATOR 230V
16	1054537	DOSER CONTROL BOX 2 GROUPS 230V
18	1320531	PRESSURE SWITCH P302/6 3-POLES 30A
18	1320533	MEMBRANE KIT FOR PRESSURE SWITCH
18	1320541	PRESSURE SWITCH PARKER
19	1319531	SELECTOR SWITCH 0-2 POSITIONS 16A 600V
20	1319464	ORANGE BIPOLAR SWITCH 16A 250V
21	1057531	SELECTOR SWITCH 0-5 POSITIONS
23	1319012	SELECTOR SWITCH 0-2 POSITIONS 20A 690V
24	1241542	KNOB SELECTOR SWITCH BLACK \varnothing 33 mm
26	1221509	GREEN LAMP CAP
26	1221510	ORANGE LAMP CAP
27	1319464	ORANGE BIPOLAR SWITCH 16A 250V
28	1319464	ORANGE BIPOLAR SWITCH 16A 250V
29	1319614	RED BIPOLAR PUSH BUTTON 16A 250V
29	1319619	RED BIPOLAR PUSH BUTTON 16A 250V
29	3319948	RED BIPOLAR SWITCH 16A 250V
31	1319611	RED BIPOLAR SWITCH 16A 250V
31	1319612	RED BIPOLAR SWITCH 16A 250V
32	1455068	VOLUMETRIC FLOWMETER GICAR
33	1455033	CONNECTOR FEMALE SMALL
34	3349318	NICHEL-PLATED FITTING \varnothing 1/8"M-1/8"M
35	1349013	L-FITTING \varnothing 1/8"M-1/8"M NICKEL-PLATED
37	1054529	LEVEL REGULATOR SMA 220V



PRESSURE GAUGES AND TANKS

<p>1</p>  <p>CENTURY</p>	<p>2</p>  <p>GRADISCA - BAR</p>	<p>3</p>  <p>PORTOFINO</p>	<p>4</p>  <p>PORTOFINO 100 - 205 - 210</p>
<p>5</p>  <p>CLASSICA - 105 - 205</p>	<p>6</p>  <p>BELLE EPOQUE</p>	<p>7</p>  <p>CAPPUCCINO</p>	<p>8</p>  <p>FIRENZE</p>
<p>18</p>  <p>CADETTA-ROMA</p>	<p>19</p>  <p>EXCELSIOR</p>		
 <p>CENTURY - GRADISCA - PORTOFINO FIRENZE - BELLE EPOQUE - CLASSICA EXCELSIOR - ROMA - STUDIO - 100 - 105 - 205 - 210</p>			
<p>16</p>  <p>CAPPUCCINO - ROBOCAF - ROBOSTAR</p>		<p>17</p>  <p>CENTURY - PORTOFINO - GRADISCA</p>	



BRASILIA



Position	LF code no.	Description
1	1245009	BOILER-PUMP PRESSURE GAUGE ø 63 mm
1	1245532	BOILER-PUMP PRESSURE GAUGE ø 63 mm
2	1245009	BOILER-PUMP PRESSURE GAUGE ø 63 mm
3	1245535	BOILER-PUMP PRESSURE GAUGE ø 63 mm
8	1245532	BOILER-PUMP PRESSURE GAUGE ø 63 mm
10	1186067	ROUND COPPER GASKET ø 23x17x3 mm
12	1186352	O-RING 02050 EPDM
15	1160700	COUPLING WITH FILTER ø 3/8"M - 3/8"M
16	1079001	COMPLETE SMALL CAPPUCINATORE WHITE
17	1079002	STANDARD NYLON CAPPUCINATORE



BRASILIA



Photo	LF Code	Dimensions	Suitable for	Notes
5	1186129	∅ 15/6x10 mm - H 10 mm	FUTURMAT 01853704	FOR STEAM/WATER TAPS - PER RUBINETTI VAPORE/ACQUA
5	1186129	∅ 15/6x10 mm - H 10 mm	GRIMAC 1110100051/GR758	FOR STEAM/WATER TAPS - PER RUBINETTI VAPORE/ACQUA
5	1186129	∅ 15/6x10 mm - H 10 mm	SPAZIALE 00290	FOR STEAM/WATER TAPS - PER RUBINETTI VAPORE/ACQUA
5	1186129	∅ 15/6x10 mm - H 10 mm	VIBIEMME GUARVALESPEVR	FOR STEAM/WATER TAPS - PER RUBINETTI VAPORE/ACQUA
6	1786221	---	PARKER	FOR SOLENOID VALVES - PER ELETTROVALVOLE

Photo	LF Code	Suitable for	For machine model
1	1186046	BRASILIA 01432.0.00.02	DECURTIS - PORTOFINO LEVA
2	1186205	BRASILIA 01431.0.00.02	DECURTIS - PORTOFINO LEVA

Photo	LF Code	Dimensions (mm)	Suitable for
1	1520007	∅ 9x132	GAGGIA S453101 - PAVONI 453101
1	1520005	∅ 9x147	ELEKTRA 00141035
1	1520562	∅ 11x108	QUALITY ESPRESSO 08181703
1	1520541	∅ 11x119	MAIRALI
1	1520506	∅ 11x170	ASTORIA/CMA 21300 - MCE 21300 - WEGA WY21300
1	1520576	∅ 11x184	CONTI 4500
1	1520518	∅ 12x112	NUOVA SIMONELLI 09000009 - VICTORIA ARDUINO 09000009
1	1520526	∅ 12x117	CIMBALI 439-034-000
1	1520532	∅ 12x130	CARIMALI 62.00006 - FAEMA 4861117546
1	1520561	∅ 12x140	RANCILIO 41010010
1	1520501	∅ 12x175	BRUGNETTI/AURORA 000319 - FAEMA - QUALITY ESPRESSO
1	1520543	∅ 13x210	MARCFI-ANCAS
1	1520001	∅ 15x115	SAN MARCO 206910
2	1201061	∅ 10x120	BEZZERA 5430505
2	1201051	∅ 10x190	VICTORIA ARDUINO 40900002
2	1520004	∅ 11x55	GAGGIA LV0536
2	1201053	∅ 11x95	GAGGIA LV0541
2	1201060	∅ 11x140	FRACINO FC181
2	1520580	∅ 11x145	CONTI
2	1520006	∅ 11x154	ASTORIA/CMA 21300001 - SCALA C-0260
2	5025546	∅ 11x160	GAGGIA LV0536
2	1520511	∅ 11x170	ASTORIA/CMA 56001 - FIORENZATO A1400008 - WEGA WY56001
2	1520400	∅ 12x106	GAGGIA WGA4001060000 - PAVONI 453110
2	1520556	∅ 12x115	FAEMA - PAVONI 453100
2	1520516	∅ 12x135	BEZZERA 5430504 - CIMBALI - NUOVA SIMONELLI 09000010
2	1520542	∅ 13x114	MARCFI-ANCAS
2	1520008	∅ 13x125	MARCFI-ANCAS BL-5131
2	1201024	∅ 13x138	AZKOYEN
2	1520579	∅ 22x55	UNIC
2	1520566	∅ 30x110	SAN MARCO 104002
3	1201054	∅ 11x140	BIANCHI 05256515
4	1520522	∅ 11x135	BRASILIA 00787.0.00.02
4	1520100	∅ 11x140	GAGGIA LV0524 - GRIMAC GR270 - SANREMO 10402100
4	1520546	∅ 11x140	BFC/ROYAL 4580010 - VIBIEMME MATECVELI140
5	1520571	∅ 11x150	SPAZIALE 00268
5	1520572	∅ 11x150	SPAZIALE 00267
5	1520534	∅ 12x106	FAEMA 4861117546
5	1201058	∅ 11x135	FIAMMA 5.0.000.1017
6	1449877	∅ 10x107	RANCILIO 38228066 - PROMAC 38228066

Photo	LF Code	Dimensions	Material	Suitable for
-------	---------	------------	----------	--------------



BRASILIA





BRASILIA



UNIVERSAL SPOUTS



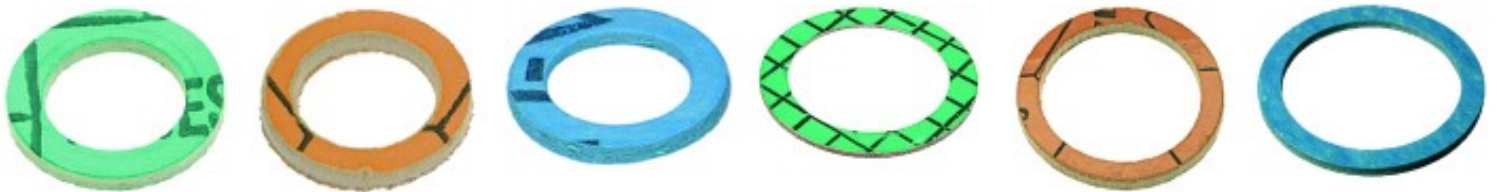
Photo	LF Code	Connection (\varnothing)
1	1022501	3/8
2	1022504	3/8
3	1022503	3/8
4	5031337	3/8

UNIVERSAL SPOUTS



Photo	LF Code	Connection (\varnothing)
1	1022502	3/8
2	1022521	3/8
3	1022523	3/8
4	1022522	3/8
5	1022551	3/8

ASBESTOS FREE FLAT GASKETS



LF Code	Dimensions	Notes
1186042	\varnothing 9x5x1 mm	---
3186341	\varnothing 9x6x1 mm	---
3786349	\varnothing 14x9x2 mm	---
1186041	\varnothing 14.5x10x2 mm	---
1186148	\varnothing 15x7x2 mm	---
3186172	\varnothing 15x9x2 mm	---
1186112	\varnothing 15x10x1 mm	---
1186437	\varnothing 16x12x2 mm	---
1186039	\varnothing 17x13x2 mm	---
1186784	\varnothing 17.5x13x2 mm	---



LF Code	Dimensions	Notes
3786543	∅ 18x12x1 mm	---
3786562	∅ 18x12x2 mm	---
3786350	∅ 18x12x2 mm	---
3186237	∅ 19x11x2 mm	---
1186394	∅ 22x17x2 mm	---
1186149	∅ 22x18x2 mm	---
1186368	∅ 23.5x20x1 mm	---
3786351	∅ 24x16x2 mm	---
3186575	∅ 25x12x2 mm	---
1186340	∅ 26x20x2 mm	---
1186183	∅ 29x16.5x2 mm	---
1186136	∅ 29x22x2 mm	---
3186138	∅ 30x21x2 mm	---
1186124	∅ 30x24x2 mm	---
3186005	∅ 32x26x3 mm	---
1186141	∅ 34x26.5x2 mm	---
1186757	∅ 36x30x2 mm	---
3186009	∅ 45x33x2 mm	---
1186125	∅ 50x38x4 mm	---
1186156	∅ 50x40x2 mm	FOR HEATING ELEMENTS BOOSTED - PER RESISTENZE BOOSTED
1786227	∅ 54x40x1.5 mm	---
3186010	∅ 54x42x2 mm	FOR HEATING ELEMENTS ∅ 1"1/4 - PER RESISTENZE ∅ 1"1/4
3786374	∅ 57x45x1.5 mm	---
3186242	∅ 61x46x2 mm	---
1186636	∅ 62x51x2 mm	FOR HEATING ELEMENTS - PER RESISTENZE
3186012	∅ 80x60x2 mm	---
3786471	∅ 90x77x2 mm	---

BALL VALVES



Photo	LF Code	Connections	Suitable for	For machine model
1	3526706	∅ 1/8"FF	UNIVERSAL	---
1	3526698	∅ 1/4"FF	BEZZERA 7451501	BZ35 - BZ40 - B2000 - B2013 - B3000 - B4000 - B6000
1	3526698	∅ 1/4"FF	SPAZIALE 08103	S5 COMPACT - S8 COMPACT - S9 COMPACT
1	3526702	∅ 3/8"FF	UNIVERSAL	---
1	3526703	∅ 1/2"FF	UNIVERSAL	---
1	3526707	∅ 3/4"FF	UNIVERSAL	---
2	3526697	∅ 1/8"MF	SAN MARCO 202241	NEW 105 - 100 - 105 - 85 - 95
2	3526699	∅ 1/4"MF	MANY BRANDS - MOLTI MARCHI	SEVERAL APPLICATIONS - MOLTE APPLICAZIONI
2	3526244	∅ 1/4"M-1/8"F	SAN MARCO 202244	95 - 105
2	3526704	∅ 3/8"MF	MARZOCCO L164	FB70 - FB80 - GB5 - GS3 - LINEA - MISTRAL
2	3526704	∅ 3/8"MF	NUOVA SIMONELLI 09000016	APPIA - AURELIA - PREMIER
2	3526704	∅ 3/8"MF	VICTORIA ARDUINO 09000016	ADONIS - ATHENA - ATHENA LEVA
2	3526705	∅ 1/2"MF	UNIVERSAL	---
3	1525002	∅ 1/4"M-1/4"F	ASTORIA/CMA 20227003	PLUS4YOU
3	1525002	∅ 1/4"M-1/4"F	WEGA WY20227003	CONCEPT



BRASILIA



BOILER GASKETS BRASILIA



1

Photo	LF Code	Dimensions	Material	Suitable for	For machine model
1	1186618	∅ 142x130x3 mm	CARBO	BRASILIA 00821.0.00.02	CENTURY

BOILER SAFETY VALVES



1



2

Photo	LF Code	Technical notes	Suitable for
1	1515100	∅ 3/8" M 1.8 bar CE-PED	ALL BRANDS - TUTTE LE MARCHE
1	1515120	∅ 3/8" M 1.9 bar CE-PED	ALL BRANDS - TUTTE LE MARCHE
2	1515110	∅ 1/2" M 1.8 bar CE-PED	ALL BRANDS - TUTTE LE MARCHE
2	1523022	∅ 1/2" M 1.5 bar CE-PED	SPAZIALE

BOILER SAFETY VALVES



1



2



3



4



5



6

Photo	LF Code	Technical notes	Suitable for
1	1523543	∅ M18x1.5 1.8 bar	SAN MARCO OLD - VERSIONI VECCHIE
1	1523545	∅ M19x1.5 1.8 bar	GAGGIA OLD - VERSIONI VECCHIE
1	1523544	∅ M22x1.5 1.8 bar	PAVONI OLD - VERSIONI VECCHIE
2	1515003	∅ 1/4" M 2.1 bar	NUOVA SIMONELLI - VICTORIA ARDUINO
3	1523121	∅ 3/8" M 1.5 bar CE-PED	ELEKTRA
3	1523029	∅ 3/8" M 1.6 bar CE-PED	EXPOBAR - PROMAC - RANCILIO
3	1523059	∅ 3/8" M 1.8 bar CE-PED	ALL BRANDS - TUTTE LE MARCHE
3	1515025	∅ 3/8" M 1.9 bar CE-PED	CARIMALI - RANCILIO
3	1515007	∅ 3/8" M 2.0 bar CE-PED	CIMBALI - FAEMA
4	1523574	∅ 3/8" M 1.1 bar CE-PED	---
4	1523003	∅ 3/8" M 1.6 bar CE-PED	BRASILIA - FIAMMA - SAB ITALIA
4	1523572	∅ 3/8" M 1.8 bar CE-PED	ALL BRANDS - TUTTE LE MARCHE
5	1523571	∅ 1/4" M 1.8 bar CE-PED	---
5	1515004	∅ 1/4" M 2.0 bar CE-PED	CASADIO - CIMBALI - FAEMA
5	1515005	∅ 3/8" M 1.8 bar CE-PED	SANREMO
6	1515006	∅ 3/8" M - 3/8" M 1.8 bar CE-PED	BFC - ROYAL

Photo	LF Code	Technical notes	Suitable for
6	1515017	ø 3/8"M-3/4"M 1.8 bar CE-PED	GAGGIA

BOTTOMLESS FILTER HOLDERS



LF Code	Suitable for	Wings	Adapter filter for pods	Notes
1165034	Astoria / CMA	6.0 mm	No	---
1165117	Astoria / CMA	6.5 mm	No	Plus 4 you / Concept
1165181	Bezzera	5.8 mm	Yes	---
1165035	Brasilia	5.5 mm	Yes	---
1165038	Carimali	6.0 mm	No	---
1165182	Cimbali	5.5 mm	Yes	---
1165039	Conti	8.0 mm	No	---
1165119	Dalla Corte	9.0 mm	No	---
1165192	Expobar	6.2 mm	Yes	---
1165183	Faema	7.2 mm	Yes	---
1165195	Fiorenzato cs	6.4 mm	Yes	---
1165184	Futurmat	7.2 mm	No	---
1165185	Gaggia	6.6 mm	Yes	---
1165194	Grimac	7.0 mm	Yes	---
1165186	Marzocco	6.5 mm	Yes	---
1165086	Marzocco	6.8 mm	Yes	---
1165118	Nuova Simonelli	7.0 mm	No	Slanted body / Corpo inclinato
5030988	Pavoni	5.6 mm	Yes	---
1165187	Rancilio	6.2 mm	Yes	---
1165185	Saeco	6.6 mm	No	---
1165191	San Marco	7.0 mm	Yes	---
1165193	Sanremo	6.4 mm	Yes	---
5050620	Spaziale	6.0 mm	Yes	---
1165188	Vibiemme	6.2 mm	Yes	---
1165189	Wega	6.4 mm	Yes	---

BRASS WASHERS



LF Code	Dimensions	Suitable for	Notes
1186446	ø 28x17x2 mm	ASTORIA/CMA 25651	SEVERAL APPLICATIONS - MOLTE APPLICAZIONI
1186035	---	ASTORIA/CMA 25652	FOR LEVEL - PER LIVELLO
1528095	ø 15.4x9x1 mm	ASTORIA/CMA 25653	FOR INLET TAPS - PER RUBINETTI CARICO
1186376	ø 12x8x1 mm	ASTORIA/CMA 25655	FOR STEAM/WATER TAPS - PER RUBINETTI VAPORE/ACQUA
1186298	ø 13x6x0.5 mm	CIMBALI	FOR BREW GROUPS - PER GRUPPI EROGAZIONE
1186380	---	ELEKTRA 01380035	FOR LEVEL - PER LIVELLO
1186319	ø 13.9x8.3x1 mm	FAEMA 4051050569	FOR STEAM/WATER TAPS - PER RUBINETTI VAPORE/ACQUA
1186330	ø 6.8x3.2x0.5 mm	FAEMA 4051136002	FOR BREW GROUPS - PER GRUPPI EROGAZIONE



BRASILIA



LF Code	Dimensions	Suitable for	Notes
1528130	∅ 26x16.5x1 mm	FAEMA 4051052071	FOR STEAM/WATER TAPS - PER RUBINETTI VAPORE/ACQUA
1186330	∅ 6.8x3.2x0.5 mm	FUTURMAT 04527503	FOR BREW GROUPS - PER GRUPPI EROGAZIONE
1186306	∅ 10x5x1 mm	FUTURMAT 04715801	FOR BREW GROUPS - PER GRUPPI EROGAZIONE
1186283	∅ 14.5x7x2 mm	FUTURMAT 08165508	FOR STEAM/WATER TAPS - PER RUBINETTI VAPORE/ACQUA
1528029	∅ 12x7x1 mm	GAGGIA S313001	G105 - G106
1528025	∅ 17x12x1 mm	GAGGIA S313003	G105 - G106
1186685	---	GRIMAC 1300900066-GR296	FOR LEVEL - PER LIVELLO
1186732	∅ 15x8.4x1 mm	GRIMAC GR354	FOR STEAM/WATER TAPS - PER RUBINETTI VAPORE/ACQUA
1186681	---	GRIMAC GR738	FOR STEAM/WATER TAPS - PER RUBINETTI VAPORE/ACQUA
1528018	∅ 14x6.5x0.5 mm	MARZOCCO I.4.001	FOR STEAM/WATER TAPS - PER RUBINETTI VAPORE/ACQUA
1528130	∅ 26x16.5x1 mm	MARZOCCO L165/2	FOR BREW GROUPS - PER GRUPPI EROGAZIONE
1186035	---	MCE 25652	FOR LEVEL - PER LIVELLO
1186035	---	ORCHESTRALE D25652	FOR LEVEL - PER LIVELLO
1528029	∅ 12x7x1 mm	PAVONI 313001	EUROPICCOLA - PROFESSIONAL - ROMANTICA - STRADIVARI
1528025	∅ 17x12x1 mm	PAVONI 313003	EUROPICCOLA - PROFESSIONAL - ROMANTICA - STRADIVARI
1528028	∅ 14.5x9.5x1.5 mm	PAVONI 313004	EUROPICCOLA - PROFESSIONAL - STRADIVARI
1186330	∅ 6.8x3.2x0.5 mm	PAVONI 401050	FOR BREW GROUPS - PER GRUPPI EROGAZIONE
1186814	---	RANCILIO 23123003	FOR STEAM/WATER TAPS - PER RUBINETTI VAPORE/ACQUA
1186807	∅ 18x13x0.5 mm	RANCILIO 23131005	FOR LEVEL - PER LIVELLO
1528017	∅ 17x9x1 mm	RANCILIO 32239002	FOR STEAM/WATER TAPS - PER RUBINETTI VAPORE/ACQUA
1186992	∅ 15x7x0.8 mm	SAN MARCO 205081	FOR BREW GROUPS - PER GRUPPI EROGAZIONE
1186462	∅ 12x8x2 mm	SAN MARCO 205305	FOR INLET TAPS - PER RUBINETTI CARICO
1528018	∅ 14x6.5x0.5 mm	SCALA C-0270	FOR STEAM/WATER TAPS - PER RUBINETTI VAPORE/ACQUA
1186732	∅ 15x8.4x1 mm	VIBIEMME RACCROGU	FOR STEAM/WATER TAPS - PER RUBINETTI VAPORE/ACQUA
1186330	∅ 6.8x3.2x0.5 mm	VIBIEMME RACCROPOGU	FOR STEAM/WATER TAPS - PER RUBINETTI VAPORE/ACQUA
1186306	∅ 10x5x1 mm	WEGA W10526	FOR INLET TAPS - PER RUBINETTI CARICO
1186446	∅ 28x17x2 mm	WEGA WY25651	SEVERAL APPLICATIONS - MOLTE APPLICAZIONI
1186035	---	WEGA WY25652	FOR LEVEL - PER LIVELLO
1528095	∅ 15.4x9x1 mm	WEGA WY25653	FOR INLET TAPS - PER RUBINETTI CARICO
1186376	∅ 12x8x1 mm	WEGA WY25655	FOR STEAM/WATER TAPS - PER RUBINETTI VAPORE/ACQUA
1186330	∅ 6.8x3.2x0.5 mm	WEGA WY27421011	FOR BREW GROUPS - PER GRUPPI EROGAZIONE

CAPPUCCINATORE MINI



Photo	LF Code	Suitable for
1	1079001	BRASILIA - GRIMAC - SAECO
2	1079008	GRIMAC - PAVONI - RDL - SAECO - SPINEL
3	1079018	BFC - BRASILIA - GRIMAC - SAECO
4	5500786	BRASILIA - GRIMAC - SAECO
5	1079015	GRIMAC - PAVONI - RDL - SAECO - SPINEL

CAPPUCCINATORE STANDARD



Photo	LF Code	Suitable for
1	1079022	ASTORIA/CMA - CARIMALI - NUOVA SIMONELLI - WEGA
2	1079002	BRASILIA - BRUGNETTI - CARIMALI - NUOVA SIMONELLI
3	1079006	UNIVERSAL

CAPS BRASILIA



Photo	LF Code	Dimensions	Notes	Suitable for	For machine model
1	1439001	∅ 16 mm	FOR BREW GROUPS - PER GRUPPI EROGAZIONE	BRASILIA 12791.0.10.04	CLASSICA - DECURTIS - EXCELSIOR
2	1439200	∅ 18 mm	FOR BREW GROUPS - PER GRUPPI EROGAZIONE	BRASILIA 02106.0.10.04	DECURTIS - PORTOFINO LEVA
3	1439003	∅ 18 mm	FOR BREW GROUPS - PER GRUPPI EROGAZIONE	BRASILIA 02106.0.00.04	CADETTA - CAPPUCCINO - CENTURY
4	1184521	∅ 1/8" M	FOR BREW GROUPS - PER GRUPPI EROGAZIONE	BRASILIA 03460.0.10.04	CADETTA - CAPPUCCINO - CENTURY
5	1501003	∅ 1/8" M	FOR BREW GROUPS - PER GRUPPI EROGAZIONE	BRASILIA 00194.0.00.04	OLD MODELS - MODELLI VECCHI
6	1439049	∅ 1/4" M	FOR LEVELS - PER LIVELLI	BRASILIA 11091.0.00.04	CENTURY - CENTURY AMERICA - CLASSICA

CARBO FLAT GASKETS



LF Code	Dimensions	Suitable for	Notes
1186517	∅ 31x21x3 mm	---	---
1186547	∅ 32x24x1.5 mm	NUOVA SIMONELLI	FOR BREW GROUPS - PER GRUPPI EROGAZIONE
1186627	∅ 41x33x3 mm	---	FOR HEATING ELEMENTS ∅ 1" - PER RESISTENZE ∅ 1"
1786215	∅ 50x40x2 mm	ASTORIA/CMA	FOR HEATING ELEMENTS BOOSTED - PER RESISTENZE BOOSTED
1186633	∅ 53x42x3 mm	---	FOR HEATING ELEMENTS ∅ 1"1/4 - PER RESISTENZE ∅ 1"1/4
1186942	∅ 55x42x2 mm	ELEKTRA	FOR HEATING ELEMENTS - PER RESISTENZE
1186637	∅ 56x47x3 mm	SAN MARCO	FOR HEATING ELEMENTS - PER RESISTENZE
1186606	∅ 57x43x3 mm	---	FOR HEATING ELEMENTS MOD FAEMA - PER RESISTENZE MOD FAEMA
1186607	∅ 57.8x50x3 mm	CIMBALI	FOR HEATING ELEMENTS - PER RESISTENZE
3186011	∅ 63x48x2 mm	RANCILIO	FOR HEATING ELEMENTS - PER RESISTENZE
1186638	∅ 67x55x3 mm	NUOVA SIMONELLI	FOR HEATING ELEMENTS - PER RESISTENZE
1186548	∅ 73x61.5x1.5 mm	NUOVA SIMONELLI	FOR BREW GROUPS - PER GRUPPI EROGAZIONE



BRASILIA



LF Code	Dimensions	Suitable for	Notes
1186320	∅ 87x81x0.5 mm	MARZOCCO	FOR BREW GROUPS - PER GRUPPI EROGAZIONE

COFFEE FILTERS BRASILIA



Photo	LF Code	Model	Suitable for	Notes
1	1160251	1 CUP - 6 gr	BRASILIA 01702.0.40.01	---
1	1160335	1 CUP - 7 gr	BRASILIA 00560.0.40.01	---
2	1160252	2 CUPS - 12 gr	BRASILIA 01703.0.40.01	---
2	1160337	2 CUPS - 14 gr	BRASILIA 00561.0.40.01	---
1	1160281	1 CUP - 7 gr	BRASILIA	AISI 430 ECONOMIC
2	1160282	2 CUPS - 14 gr	BRASILIA	AISI 430 ECONOMIC
3	1160339	BLIND - CIECO	BRASILIA 00564.0.40.01	---
4	1160503	POD 1 CUP	BRASILIA	---
4	1160504	POD 2 CUPS	BRASILIA	---

COFFEE GROUPS AND SPARE PARTS BRASILIA



Photo	LF Code	Suitable for	For machine model
1	1027018	BRASILIA 05597.0.10.04	CENTURY - CLASSICA - FIRENZE - GRADISCA - 100 - 105 - 205
2	1027002	BRASILIA 14870.0.10.04	DECURTIS - GRADISCA - MINICLASSIC
3	1349007	BRASILIA 12860.4.10.09	EXCELSIOR - PORTOFINO MAXI - PORTOFINO RESTYLING
4	1349537	BRASILIA 14871.0.10.04	DECURTIS - GRADISCA - MINICLASSIC
5	1439011	BRASILIA 12793.0.10.04	EXCELSIOR - PORTOFINO MAXI - PORTOFINO RESTYLING
6	1191022	BRASILIA 13656.0.10.04	DECURTIS - GRADISCA - MINICLASSIC



COFFEE GROUPS AND SPARE PARTS BRASILIA



Photo	LF Code	Suitable for	For machine model
1	1349022	BRASILIA 13652.0.10.04	DECURTIS - GRADISCA - MINICLASSIC
2	1439533	BRASILIA 13653.0.10.04	DECURTIS - GRADISCA - MINICLASSIC
3	1027016	BRASILIA 12790.0.10.04	CENTURY RESTYLING - CLASSICA - DECURTIS - EXCELSIOR
4	1192202	BRASILIA 04054.0.10.04	DECURTIS LEVA - PORTOFINO LEVA
5	1225002	BRASILIA 13654.0.10.04	DECURTIS - GRADISCA - MINICLASSIC

COFFEE GROUPS AND SPARE PARTS BRASILIA



Photo	LF Code	Suitable for	For machine model
1	1192200	BRASILIA 04055.0.34.04	DECURTIS LEVA - PORTOFINO LEVA
2	1186592	BRASILIA 13657.0.00.04	DECURTIS - GRADISCA - MINICLASSIC
3	1449349	BRASILIA 00180.0.00.04	CENTURY - CENTURY AMERICA - CLASSICA - FIRENZE - FIRENZE
4	1523053	BRASILIA 09453.4.00.09	DECURTIS - GRADISCA - MINICLASSIC
5	1523452	BRASILIA 09452.4.00.09	DECURTIS - GRADISCA - MINICLASSIC
6	1523453	BRASILIA 09451.4.00.09	DECURTIS - GRADISCA - MINICLASSIC

COFFEE GROUPS SPRINKLERS

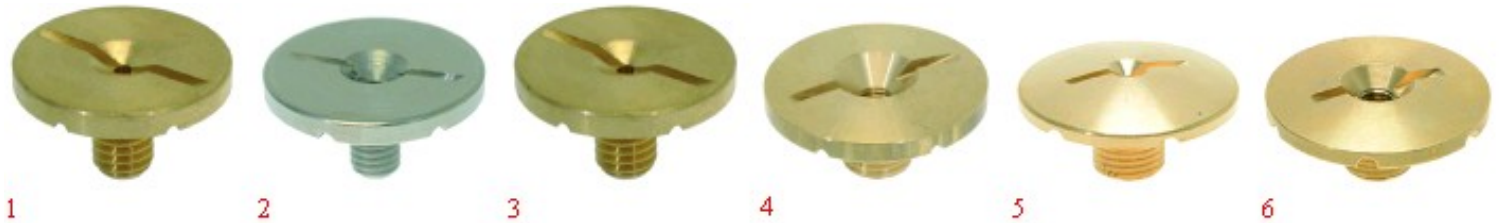


Photo	LF Code	Dimensions	Hole	Suitable for	For machine model
1	1501565	∅ 21 mm M5x1	---	FAEMA 4161133848	COMPACT - DUE - ELITE - ENOVA - EXPRESS - E61
1	1501565	∅ 21 mm M5x1	---	FUTURMAT 02476109	---
2	1510004	∅ 21 mm M5x1	---	CASADIO 457342000	DIECIA - DIECIS
2	1510004	∅ 21 mm M5x1	---	CIMBALI 457-342-000	M27 2008
2	1510004	∅ 21 mm M5x1	---	FAEMA 457342000	DUESMART - EMBLEMA - ENOVA - E61 - SMARTRESTY
3	1501560	∅ 21 mm M6x1	---	VIBIEMME RACCSPGRKO	EVOLUTION - KOMETA - LOLLO - MINIMAX - SILVER
4	1501007	∅ 30 mm M10x1	M5	MCE 27105000	START
4	1501007	∅ 30 mm M10x1	M5	ORCHESTRALE D27105000	ETNICA - PHONICA



BRASILIA



Photo	LF Code	Dimensions	Hole	Suitable for	For machine model
4	1501007	ø 30 mm M10x1	M5	WEGA WY27105000	AIRY - ATLAS - COLOSSEUM - COMBI NOVA - ESPRESSA - START
5	1501561	ø 30 mm M10x1	---	BEZZERA 7479941	GALATEA - GALATEA DOMUS - GIULIA - UNICA
5	1501561	ø 30 mm M10x1	---	BFC 0520070	CLASSICA - DELUX - GALILEO - IMOLA - JUNIOR - LA VITTORIA
5	1501561	ø 30 mm M10x1	---	BIANCHI 43051216	LUCIA - SARA - SOFIA
5	1501561	ø 30 mm M10x1	---	BRASILIA 04089.0.00.04	GRADISCA
5	1501561	ø 30 mm M10x1	---	ECM C229901128	GIOTTO - LAURA - VENEZIANO
5	1501561	ø 30 mm M10x1	---	ECM MANUFACTURE C229901128	CLASSIKA II - ELEKTRONICA II PROFI - ELEKTRONIKA II PROFI
5	1501561	ø 30 mm M10x1	---	EXPOBAR CTAV1-11	EB61 - OFFICE
5	1501561	ø 30 mm M10x1	---	FAEMA	E61
5	1501561	ø 30 mm M10x1	---	FIAMMA RST 5.0.025.0009	ATLANTIC - MARINA - PRESTIGE
5	1501561	ø 30 mm M10x1	---	FIORENZATO C.S A2200170	BRIOLETTA - COLOMBINA - DUCALE - FENICE - LIDO - VOLANTE
5	1501561	ø 30 mm M10x1	---	FUTURMAT 02012904	ARIETE - CUSTOM - F3 - RIMINI
5	1501561	ø 30 mm M10x1	---	GAGGIA SPAGNA 02012904	BELLA - G6 - KB
5	1501561	ø 30 mm M10x1	---	GRIMAC 1201300006-GR762	ECLISSE - MIA - TEN - TWENTY - ZOLA I - ZOLA II
5	1501561	ø 30 mm M10x1	---	ITALCREM 02012904	IT4
5	1501561	ø 30 mm M10x1	---	MAIRALI 02012904	ARIANNE
5	1501561	ø 30 mm M10x1	---	PAVONI	BART
5	1501561	ø 30 mm M10x1	---	PROMAC 80230080	COMPACT - GREEN
5	1501561	ø 30 mm M10x1	---	RENEKA AT7479941	AMICI - ATALANTE
5	1501561	ø 30 mm M10x1	---	ROYAL 0520070	DIADEMA - SYNCHRO
5	1501561	ø 30 mm M10x1	---	SAB TM-SPR8F400	ELLIPSE - E96 - MODERNA
5	1501561	ø 30 mm M10x1	---	SANREMO 10052141	AMALFI - CAPRI - MILANO LX - PISA - TORINO - TREVISO
5	1501561	ø 30 mm M10x1	---	SCALA C-0318	BUTTERFLY - CARMEN - EROICA
5	1501561	ø 30 mm M10x1	---	VFA	ELITE - MAGESTIC - SPLENDOR
5	1501561	ø 30 mm M10x1	---	VIBIEMME RACCSPGR	CHIMAERA - DOMOBAR - DOSAPLUS - MERCURY - REPLICA
5	1501561	ø 30 mm M10x1	---	VISACREM 02012904	BRAVA - V6
5	1501561	ø 30 mm M10x1	---	WEGA WY27105	AIRY - ATLAS - ATLAS10 - NOVA - NOVECENTO - ORION ECO - P
6	1501568	ø 30 mm M10x1	M5	PAVONI 314098	P UNO - P TRE
6	1501014	ø 30 mm M9.6x1	M5	BRUGNETTI/AURORA 000183	ALEXIA - C

COMPLETE LEVEL INDICATORS

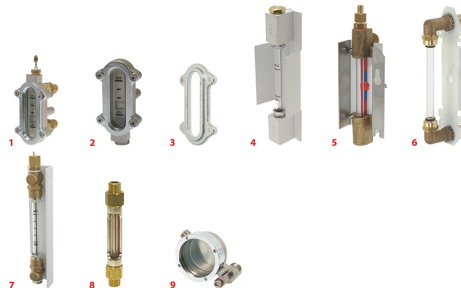


Photo	LF Code	Suitable for
1	1201005	CIMBALI 990-716-000 - FAEMA 990716000
2	1201052	CIMBALI 913-723-030
3	1201009	CIMBALI 439-057-007 - FAEMA 439057007
4	1201055	VIBIEMME ASSLIVUNIF
5	5024205	FUTURMAT 08181604
6	1201010	PROMAC 10060380 - RANCILIO 10060380
7	1201001	BRASILIA 21161.8.00.09 - FIAMMA 5.0.000.1020
8	1201100	NUOVA SIMONELLI 75010001 - VICTORIA ARDUINO 75010001
9	1201501	MARZOCCO L120C



CONTACT THERMOSTATS BRASILIA



Photo	LF Code	Temperature °C	Suitable for	For machine model
1	1444003	95	BRASILIA 06524.2.00.08	MINIPODS
1	1443005	98	BRASILIA 14072.2.00.08	PORTOFINO STUDIO
1	1443011	100	BRASILIA 09415.2.00.08	CLUB - LADY
1	1443400	107	BRASILIA 08701.2.00.08	CLUB - LADY
2	3443026	110	BRASILIA 10157.2.00.08	CLUB - LADY
1	3443081	125	BRASILIA 06525.2.00.08	MINIPODS
1	1443004	145	BRASILIA 08702.2.00.08	LADY
3	1443002	165	BRASILIA 08703.2.00.08	CLUB - LADY

CONTROL BOXES BRASILIA



Photo	LF Code	For machines with no. of groups	Power	Suitable for	For machine model
1	1054537	2	230V	BRASILIA 04964.2.00.08	CENTURY - FIRENZE - PORTOFINO - PORTOFINO AMERICA - 100
2	1054542	2	230V	BRASILIA 09950.2.00.08	CENTURY - GRADISCA - PORTOFINO

EPDM FLAT GASKETS



LF Code	Dimensions	Suitable for	Notes
1186427	∅ 10x4x2 mm	RANCILIO	FOR BREW GROUPS - PER GRUPPI EROGAZIONE
1186758	∅ 10x4.5x4 mm	MARCFI-ANCAS	FOR INLET TAPS - PER RUBINETTI CARICO
1186342	∅ 11x3x4 mm	CIMBALI - FAEMA	FOR STEAM/WATER TAPS - PER RUBINETTI VAPORE/ACQUA
1186454	∅ 11x3.6x2 mm	PROMAC - RANCILIO	FOR INLET TAPS - PER RUBINETTI CARICO
1186423	∅ 11x4x4 mm	BRASILIA	FOR INLET TAPS - PER RUBINETTI CARICO
1186703	∅ 11x7x7 mm	CIMBALI	FOR BREW GROUPS M15- PER GRUPPI EROGAZIONE M15
1186083	∅ 12x3x4 mm	RENEKA	FOR STEAM/WATER TAPS - PER RUBINETTI VAPORE/ACQUA
1786263	∅ 12.5x8x9 mm	ASTORIA/CMA - WEGA	FOR STEAM/WATER TAPS - PER RUBINETTI VAPORE/ACQUA
1186588	∅ 13x3x4 mm	AZKOYEN	FOR STEAM/WATER TAPS - PER RUBINETTI VAPORE/ACQUA
1186161	∅ 13x4x4 mm	BRASILIA - CONTI - RENEKA	FOR STEAM/WATER TAPS - PER RUBINETTI VAPORE/ACQUA
1186935	∅ 13x4x4 mm	ELEKTRA	FOR STEAM/WATER TAPS - PER RUBINETTI VAPORE/ACQUA



BRASILIA



LF Code	Dimensions	Suitable for	Notes
1186935	∅ 13x4x4 mm	GRIMAC	FOR BREW GROUPS - PER GRUPPI EROGAZIONE
1186150	∅ 13x7.4x7 mm	SAN MARCO	FOR INLET TAPS - PER RUBINETTI CARICO
1186111	∅ 14x4x4 mm	BEZZERA	FOR STEAM/WATER TAPS - PER RUBINETTI VAPORE/ACQUA
1186111	∅ 14x4x4 mm	SAN MARCO	FOR BREW GROUPS - PER GRUPPI EROGAZIONE
1186302	∅ 14x4x5 mm	CARIMALI	FOR STEAM/WATER TAPS - PER RUBINETTI VAPORE/ACQUA
1186316	∅ 15x4x4 mm 60SH	ASTORIA/CMA - WEGA	FOR STEAM/WATER TAPS - PER RUBINETTI VAPORE/ACQUA
1186527	∅ 15x4x4 mm 80SH	ASTORIA/CMA - WEGA	FOR STEAM/WATER TAPS - PER RUBINETTI VAPORE/ACQUA
1186515	∅ 15x5.5x3.5 mm	SPAZIALE	FOR STEAM/WATER TAPS - PER RUBINETTI VAPORE/ACQUA
1186369	∅ 15x5.5x4 mm	FUTURMAT	FOR BREW GROUPS - PER GRUPPI EROGAZIONE
1186369	∅ 15x5.5x4 mm	SAN MARCO	FOR STEAM/WATER TAPS - PER RUBINETTI VAPORE/ACQUA
1186985	∅ 15x6x6 mm	GAGGIA	FOR STEAM/WATER TAPS - PER RUBINETTI VAPORE/ACQUA
1186985	∅ 15x6x6 mm	PAVONI	FOR STEAM/WATER TAPS - PER RUBINETTI VAPORE/ACQUA
1186300	∅ 15x7.3x4 mm	CIMBALI	FOR STEAM/WATER TAPS - PER RUBINETTI VAPORE/ACQUA
1186300	∅ 15x7.3x4 mm	GRIMAC	FOR STEAM/WATER TAPS - PER RUBINETTI VAPORE/ACQUA
1186057	∅ 15.3x7.7x4 mm	BRASILIA	FOR STEAM/WATER TAPS - PER RUBINETTI VAPORE/ACQUA
1186312	∅ 15.5x7.5x4 mm	MANY BRANDS - MOLTI MARCHI	SEVERAL APPLICATIONS - MOLTE APPLICAZIONI
1186233	∅ 16x4x5 mm	UNIC	FOR STEAM/WATER TAPS - PER RUBINETTI VAPORE/ACQUA
1186282	∅ 16.5x6x4 mm	SAN MARCO	FOR BREW GROUPS - PER GRUPPI EROGAZIONE
1186170	∅ 18x4x4 mm	CARIMALI	FOR STEAM/WATER TAPS - PER RUBINETTI VAPORE/ACQUA
3449039	∅ 18x11x2 mm	---	FOR INLET HOSES ∅ 1/2" - PER TUBI CARICO ∅ 1/2"
1186102	∅ 19x3.5x4 mm	BEZZERA	FOR STEAM/WATER TAPS - PER RUBINETTI VAPORE/ACQUA
1186958	∅ 20.5x15x2 mm	CIMBALI	FOR STEAM/WATER TAPS - PER RUBINETTI VAPORE/ACQUA
1186066	∅ 21x15x3 mm	BRASILIA	FOR STEAM/WATER TAPS - PER RUBINETTI VAPORE/ACQUA
1186410	∅ 21x16x2 mm	RANCILIO	FOR BREW GROUPS - PER GRUPPI EROGAZIONE
1186410	∅ 21x16x2 mm	RENEKA	FOR STEAM/WATER TAPS - PER RUBINETTI VAPORE/ACQUA
1786222	∅ 22x18x1.5 mm	CIMBALI	FOR BOOSTER PUMPS - PER POMPE VOLUMETRICHE
3449026	∅ 24x12x2 mm	---	FOR INLET HOSES ∅ 3/4" - PER TUBI CARICO ∅ 3/4"
1786231	∅ 24x15x3 mm	GAGGIA	FOR INLET TAPS - PER RUBINETTI CARICO
1786231	∅ 24x15x3 mm	PAVONI	FOR STEAM/WATER TAPS - PER RUBINETTI VAPORE/ACQUA
1786315	∅ 51.3x43x5 mm	ISOMAC	FOR BREW GROUPS - PER GRUPPI EROGAZIONE

EXPANSION AND NON-RETURN VALVES "UNIVERSAL"



Photo	LF Code	Dimensions
1	1523036	∅ 1/8"M-1/8"F
2	1523700	∅ 1/8"M-1/8"M
3	3349281	∅ 3/8"F-3/8"F
4	3349283	∅ 3/4"F-3/4"F
5	1523072	∅ 3/8"M

EXPANSION AND NON-RETURN VALVES BRASILIA



Photo	LF Code	Dimensions	Suitable for	For machine model
1	1523700	∅ 1/8"M-1/8"M	BRASILIA 01119.4.00.09	MINICLASSIC - PORTOFINO LEVA
2	1523561	∅ 1/4"M	BRASILIA 01182.4.00.09	BELLEPOQUE
3	1523012	∅ 1/4"M-3/8"M	BRASILIA 12845.4.00.09	DECURTIS - FIRENZE SL - PORTOFINO LEVA - ROMA
4	1523404	---	BRASILIA 08605.0.00.04	DECURTIS - PORTOFINO LEVA

FILTER HOLDER BRASILIA



Photo	LF Code	Wings	Knob	Spouts	Filter	Spring	Suitable for	For machine model
1	1165003	7 mm	M12	3/8	NO	YES	BRASILIA 06396.8.00.09	CENTURY - PORTOFINO - GRADISCA
2	1165022	7 mm	M12	3/8	NO	NO	BRASILIA 21666.0.10.04	CENTURY - PORTOFINO - GRADISCA
3	1165103	5.2 mm	M12	3/8	NO	NO	BRASILIA 06668.8.00.09	FIRENZE - PORTOFINO - ROMA - 105
4	1165098	5.2 mm	M12	3/8	NO	NO	BRASILIA 05016.8.00.09	FIRENZE - PORTOFINO - ROMA - 105

FILTER HOLDER GASKETS BRASILIA



Photo	LF Code	Dimensions (mm)	Notes	Suitable for	For machine model
1	1186654	∅ 70x57x8	EXT. CUTS - SPACCHI EST.	BRASILIA 04408.0.00.02	CENTURY - PORTOFINO - ROMA
2	1186702	∅ 70x56x8.5		BRASILIA 05820.0.00.02	BELLE EPOQUE - CENTURY - FIRENZE
2	1186622	∅ 71x56x8		---	---
2	1186061	∅ 72.5x57x8		BRASILIA 04367.0.00.02	CENTURY RESTYLING - EXCELSIOR - FIRENZE - GRADISCA
3	1186657	∅ 66x56x6	CONICAL	BRASILIA 01393.0.00.02	BELLE EPOQUE - CENTURY - FIRENZE
4	1186656	∅ 67x56x6		---	OLD MODELS - MODELLI VECCHI
5	1186063	∅ 64x55x5	SILICON	BRASILIA 09207.0.00.02	CLUB - LADY
6	1486018	∅ 66x56.5x5.3		BRASILIA 00844.0.00.02	---



BRASILIA



FILTER HOLDER KNOBS BRASILIA



Photo	LF Code	Connection	Suitable for
1	1241200	---	BRASILIA 01487.0.00.02
2	1241067	M12	BRASILIA 02638.0.00.02

FILTER LOCKING SPRING

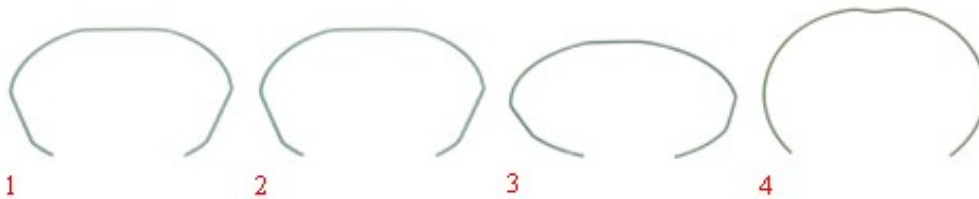


Photo	LF Code	wire \varnothing (mm)	Suitable for
1	1250101	1.00	ALL BRANDS - TUTTI I MARCHI
1	1250002	1.20	ALL BRANDS - TUTTI I MARCHI
1	1250333	1.30	ALL BRANDS - TUTTI I MARCHI
1	1250338	1.40	ALL BRANDS - TUTTI I MARCHI
2	1250279	1.40	ASTORIA/CMA P4Y - WEGA CONCEPT 52
3	5033397	1.00	PAVONI EUROPICCOLA
4	1250018	1.00	ELEKTRA MICROCASA

FLOW RATE ADJUSTER



Photo	LF Code	Notes	Suitable for	For machine model
1	1350531	2 BAR - \varnothing 1/4"FF	ASTORIA/CMA 51003	ARGENTA - BRAVA - DENISE - DIVINA - DORA - GLORIA
1	1350531	2 BAR - \varnothing 1/4"FF	BEZZERA 7402410	B2000 - B2000 AL - B2006 - B2006 AL - B2013 - B3000
1	1350531	2 BAR - \varnothing 1/4"FF	BRASILIA 01139.4.00.09	DECURTIS - PORTOFINO - PORTOFINO LEVA - 100 - 105 - 205
1	1350531	2 BAR - \varnothing 1/4"FF	CARIMALI 95.00029	---
1	1350531	2 BAR - \varnothing 1/4"FF	FAEMA 2231134746	DUE - E91 - E97 - E98
1	1350531	2 BAR - \varnothing 1/4"FF	NUOVA SIMONELLI 09600007	MAC2000 - MACDIGIT - PROGRAM - PROGRAMVIP
1	1350531	2 BAR - \varnothing 1/4"FF	SAN MARCO 202043	LEVA - 105 - 85 - 95
1	1350531	2 BAR - \varnothing 1/4"FF	VICTORIA ARDUINO 09600007	ATHENA LEVA
2	1350701	\varnothing 1/2"FF	ASTORIA/CMA 26330	CK - CKE - CKX - CKXE

GAS VALVES

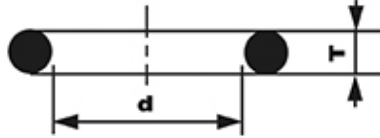


Photo	LF Code	Notes	Suitable for
1	3523052	∅ 3/8"MM	BRASILIA
2	3523002	∅ 1/4"MM	ASTORIA
3	3523007	M12	ASTORIA
4	3523006	M12	ASTORIA

GASKETS "OR" R1-R2-R3....R10..

1.90 - 2.20

2.70 - 3.60 mm



Dimensions (mm) T x d	Model (new cross-references)	Model (old cross-references)	LF Code (EPDM)	LF Code (VITON)	LF Code (SILICONE)
1.90 x 2.40	OR R0		1786108		
1.90 x 3.40	OR R2		2104557		
1.90 x 4.20	OR R3		1186996	1786316	
1.90 x 4.90	OR R4		1786286		
1.90 x 5.70	OR R5		1186854	1786310	1186610
1.90 x 7.20	OR R6		1186556	1186791	
2.70 x 12.10	OR R10		1786297		
3.60 x 23.00	OR R18		1786157		

GASKETS FOR GROUP ADJUSTABLE TO SEVERAL BRANDS



Photo	LF Code	Features	Suitable for	For machine model
1	1186502	79x71x2 mm - CARBO	MANY BRANDS - MOLTI MARCHI	FOR MODEL E61 GROUPS - PER GRUPPI TIPO E61
2	1186508	77x73x2 mm - PTFE	MANY BRANDS - MOLTI MARCHI	FOR MODEL E61 GROUPS - PER GRUPPI TIPO E61
3	1186384	80x70x2 mm - PAPER	MANY BRANDS - MOLTI MARCHI	FOR MODEL E61 GROUPS - PER GRUPPI TIPO E61



BRASILIA



GASKETS FOR GROUP BRASILIA



Photo	LF Code	Features	Suitable for	For machine model
1	1186059	35x32x1.5 mm - FREE	BRASILIA 00823.0.00.02	BELLEPOQUE JUNIOR - CLUB - LADY
2	1186652	77x51x3 mm - CARBO	BRASILIA 00814.0.00.02	CENTURY - CENTURY AMERICA - FIRENZE SL - PORTOFINO

GASKETS ORM



Model	Notes	LF Code	Suitable for
0060-10	SILICON RED	1186550	ASTORIA/CMA 12300013
0250-40	NBR BLACK	1186772	ASTORIA/CMA 12300027
0170-30	NBR BLACK	1186773	ASTORIA/CMA 12336000
0050-15	EPDM BLACK	1786219	ASTORIA/CMA 12662000
0040-20	SILICON RED	1786257	BIANCHI 43113416-01
0140-20	NBR BLACK	1186484	BRASILIA 18514.0.00.02
0160-20	EPDM BLACK	1186165	BRASILIA 18682.0.00.02
0059-12	EPDM BLACK	5034069	CARIMALI 87.00169
0160-20	EPDM BLACK	1186165	CARIMALI 95.05027
0057-19	VITON GREEN	1186966	CASADIO 402198000
0057-19	VITON GREEN	1186966	CIMBALI 402-198-000
0089-27	VITON GREEN	1186968	CIMBALI 402-197-000
0680-20	EPDM BLACK	1186381	CONTI 173100
0040-20	EPDM BLACK	1186252	CONTI 403457
0120-20	VITON GREEN	1186157	CONTI 409631
0060-10	EPDM BLACK	1786071	CONTI 410838
0248-18	SILICON BLACK	1786269	DELONGHI 5313214431
0045-20	SILICON BLACK	1786265	DELONGHI 5313217691
0038-20	SILICON BLACK	1786264	DELONGHI 5313217701
0060-20	SILICON RED	1186867	DELONGHI 5332144800
0350-41	SILICON RED	1486015	DELONGHI 5332149100
0060-36	SILICON BLACK	1486016	DELONGHI 5332173500
0060-10	EPDM BLACK	1786071	EXPOBAR 50010090
0057-19	VITON GREEN	1186966	FAEMA 402198000
0089-27	VITON GREEN	1186968	FAEMA 402197000
0780-30	EPDM BLACK	1186507	FAEMA 4701026909
0040-20	EPDM BLACK	1186252	FAEMA 4701030708
0060-18	EPDM BLACK	1786302	FIAMMA RST 5.0.002.0122
0017-20	EPDM BLACK	1786295	FIAMMA RST 5.0.016.0225
0060-12	EPDM BLACK	1186713	FIAMMA RST 5.0.016.0323
0058-20	VITON BLACK	1786304	FRACINO FC222SG
0040-20	EPDM BLACK	1186252	FUTURMAT 03070802



Model	Notes	LF Code	Suitable for
0060-30	SILICON BLACK	5008675	GAGGIA 140324362
0080-20	VITON BLACK	1186687	GRIMAC 1110800040-GR756
0050-20	VITON BLACK	1186778	MARZOCCO H.1.005
0059-12	EPDM BLACK	5034069	NUOVA SIMONELLI 02280036
0160-20	EPDM BLACK	1186165	NUOVA SIMONELLI 02280037
0102-25	PTFE	1786260	NUOVA SIMONELLI 02600004
0080-20	EPDM BLACK	1786149	PAVONI 0ENM02004
0500-40	SILICON RED	1186453	RANCILIO 36404113
0072-15	EPDM BLACK	1786063	RENEKA 9001884
0170-20	EPDM BLACK	1786064	RENEKA 9005075
0030-15	EPDM BLACK	1186855	SAECO 12000414
0080-20	SILICON RED	1186852	SAECO 140320459
0080-20	TERMOIL BLACK	1786111	SAECO 140320461
0090-20	SILICON RED	1186647	SAECO 140320762
0060-30	SILICON BLACK	5008675	SAECO 140324362
0060-20	SILICON RED	1186867	SAECO 140324459
0080-15	EPDM BLACK	1186675	SAECO 140324961
0040-20	EPDM BLACK	1186252	SAECO 140326661
0380-40	SILICON RED	1186856	SAECO 140329262
0320-40	SILICON RED	1186862	SAECO NM01.044
0050-20	SILICON RED	1186648	SAECO NM01.057
0080-20	EPDM BLACK	1786149	SAECO NM02.004
0055-15	EPDM BLACK	1786150	SAECO NM02.017
0090-25	EPDM BLACK	1786074	SAECO NM02.018
0040-20	EPDM BLACK	1186252	SPAZIALE 04649
0160-20	EPDM BLACK	1186712	SPAZIALE 08289
0060-12	EPDM BLACK	1186713	SPAZIALE 08354
0060-10	SILICON RED	1186550	SPINEL SR.000.060.042
0017-20	EPDM BLACK	1786295	VIBIEMME GUARORVALESPE
0060-10	SILICON RED	1186550	WEGA WY12300013
0250-40	NBR BLACK	1186772	WEGA WY12300027

HANDLES BRASILIA



Photo	LF Code	Notes	Suitable for	For machine model
1	1241003	STEAM/WATER - VAPORE/ACQUA	BRASILIA 16883.0.00.02	CADETTA - MINICLASSIC - ROMA
2	1241322	STEAM - VAPORE	BRASILIA 16884.0.00.02	CADETTA - MINICLASSIC - ROMA
3	1241045	WATER - ACQUA	BRASILIA 16885.0.00.02	CADETTA - MINICLASSIC - ROMA
4	1241542	FOR SELECTOR SWITCH - PER COMMUTATORE	BRASILIA	---



BRASILIA



HEATING ELEMENT GASKETS



1 PAPER



2 CARBO



3 PTFE



4 PAPER



5 CARBO



6 PTFE

Photo	LF Code	Dimensions	Suitable for	Notes
1	1186538	80x80x2 mm - ø 40 mm	BRASILIA - BRUGNETTI - ECM - EXPOBAR - SAB ITALIA - VIBIE	---
2	1186621	80x80x2 mm - ø 40 mm	BRASILIA - BRUGNETTI - ECM - EXPOBAR - SAB ITALIA - VIBIE	---
3	1186634	80x80x2 mm - ø 40 mm	BRASILIA - BRUGNETTI - ECM - EXPOBAR - SAB ITALIA - VIBIE	---
4	1186584	70x70x2 mm - ø 40 mm	GAGGIA - PAVONI - SAECO	---
5	1186635	70x70x2 mm - ø 40 mm	GAGGIA - PAVONI - SAECO	---
6	1786006	70x70x2 mm - ø 40 mm	GAGGIA - PAVONI - SAECO	---

HEATING ELEMENTS BRASILIA



1



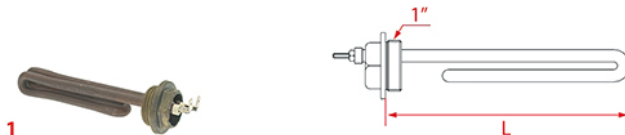
3060608



1755006

Photo	LF Code	Watt - Volt	L (mm)	Groups	Suitable for	For machine model
1	1755340	1200W 220V	68	1	BRASILIA 00625.2.00.08	CLUB - LADY
1	1755638	1200W 110V	68	1	BRASILIA 00626.2.00.08	CLUB - LADY

HEATING ELEMENTS BRASILIA



1



1186993



1186627

Photo	LF Code	Watt - Volt	L (mm)	Groups	Suitable for	For machine model
1	1755348	1350W 220V	130	1	BRASILIA 01911.2.00.08	CAPPUCCINO
1	1755637	1400W 110V	135	1	BRASILIA 01912.2.00.08	CAPPUCCINO



HEATING ELEMENTS BRASILIA

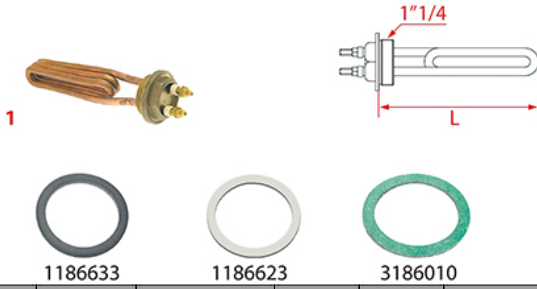


Photo	LF Code	Watt - Volt	L (mm)	Groups	Suitable for	For machine model
1	1755336	1800W 230V	170	1	BRASILIA 00613.2.00.08	CENTURY - GRADISCA - PORTOFINO
1	1755633	1800W 110V	170	1	BRASILIA 00619.2.00.08	CENTURY - GRADISCA - PORTOFINO

HEATING ELEMENTS BRASILIA

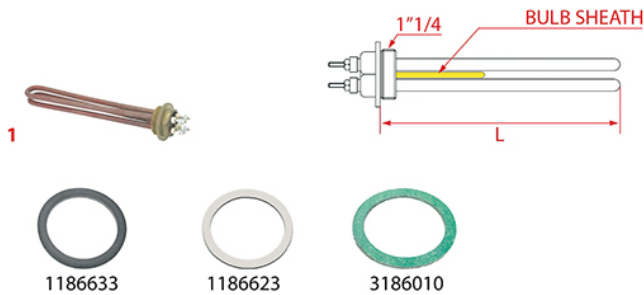


Photo	LF Code	Watt - Volt	L (mm)	Groups	Bulb sheath	Suitable for	For machine model
1	1755134	2400W 230V	240	2	NO	BRASILIA 00627.2.00.08	AMERICA
1	1755634	2400W 110V	295	2	NO	BRASILIA 00628.2.00.08	AMERICA

HEATING ELEMENTS BRASILIA

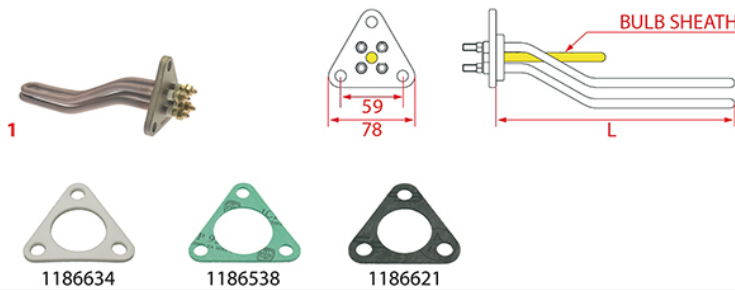


Photo	LF Code	Watt - Volt	L (mm)	Groups	Bulb sheath	Suitable for	For machine model
1	1755330	1800W 230V	170	1	NO	BRASILIA 00614.2.00.08	CENTURY - FIRENZE - FIRENZE SL - PORTOFINO
1	1755331	3000W 230V	335	2	NO	BRASILIA 00615.2.00.08	CENTURY - CLASSICA - DECURTIS - FIRENZE - FIRENZE SL
1	1755002	3500W 230V	350	2	NO	BRASILIA 01834.2.00.08	CADETTA - CENTURY - DECURTIS - EXCELSIOR - GRADISCA
1	1755332	4000W 230V	490	3	NO	BRASILIA 00616.2.00.08	CENTURY - DECURTIS - FIRENZE - FIRENZE SL - PORTOFINO
1	1755003	5000W 230V	450	3	NO	BRASILIA 01835.2.00.08	CADETTA - CENTURY - DECURTIS - EXCELSIOR - GRADISCA
1	1755333	5000W 230V	650	3-4	NO	BRASILIA 00617.2.00.08	CENTURY - FIRENZE - PORTOFINO - PORTOFINO AL - 100 - 105
1	1755337	3000W 380V	350	3	NO	BRASILIA 01862.2.00.08	CENTURY - PORTOFINO
1	1755338	4000W 380V	460	3	NO	BRASILIA 01863.2.00.08	CENTURY - PORTOFINO



BRASILIA



HEATING ELEMENTS BRASILIA

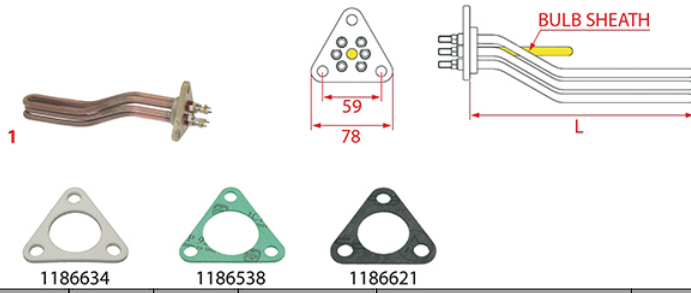


Photo	LF Code	Watt - Volt	L (mm)	Groups	Bulb sheath	Suitable for	For machine model
1	1755217	4500W 230/380V	335	2	NO	BRASILIA 04580.2.00.08	CENTURY - DECURTIS - GRADISCA - PORTOFINO - ROMA - 205

INDICATOR LIGHTS BRASILIA

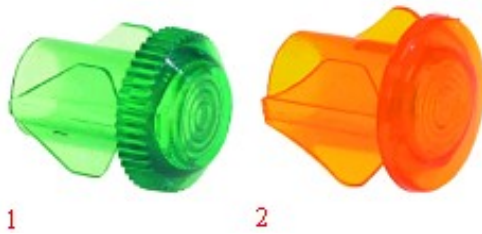


Photo	LF Code	Volt	∅ head - ∅ hole - °C	Suitable for	For machine model
1	1221509	---	∅ 13 mm - ∅ 10 mm	BRASILIA 02628.0.00.02	BELLEPOQUE - CADETTA - CAPPUCCINO - CENTURY RESTYLING
2	1221510	---	∅ 14 mm - ∅ 10 mm	BRASILIA 02627.0.00.02	BELLEPOQUE - CADETTA - CAPPUCCINO - CENTURY RESTYLING

LEVEL GLASS BALLS



Photo	LF Code	Dimensions (mm)	Suitable for
1	1323006	∅ 7	ALL BRANDS - TUTTE LE MARCHE
2	1323001	∅ 5.8	ALL BRANDS - TUTTE LE MARCHE
3	1323007	∅ 9,5	ALL BRANDS - TUTTE LE MARCHE



LEVEL GLASS FITTINGS



Photo	LF Code	Dimensions (mm)	Suitable for
1	1349070	∅ 3/8" M - ∅ 12	BIANCHI - BRASILIA - FIAMMA - FRACINO - GAGGIA - VIBIEMME
2	1201057	∅ 3/8" M - ∅ 11	SANREMO
3	1186038	---	EXPOBAR
4	1201017	---	PAVONI

LEVEL GLASS FITTINGS



Photo	LF Code	Dimensions (mm)	Suitable for
1	1186448	∅ 14.5x11.5x3.5	BIANCHI - FIAMMA - FIORENZATO CS - SCALA
1	1186420	∅ 15x11.5x3	VIBIEMME
1	1786037	∅ 15x11.5x3	BRASILIA - FRACINO - GAGGIA
2	1186357	∅ 18x13.5x4 mm	CIMBALI - FAEMA
2	1186219	∅ 18.5x13x3	CARIMALI
3	1186287	∅ 18x12x3	CONTI
4	1528015	∅ 24x13.2x6.8	FAEMA
5	1186269	∅ 18x12x1	CONTI

LEVEL GLASS GASKETS



Photo	LF Code	Dimensions (mm)	Suitable for
1	1186173	∅ 16.5x10x12.5	MARCFI-ANCAS
1	1186221	∅ 19x11.5x10	CARIMALI - CONTI - NUOVA SIMONELLI
2	1186270	∅ 18x11x4	CONTI
2	1186227	∅ 21x11.5x5	BRUGNETTI/AURORA - FAEMA - FUTURMAT
2	1186251	∅ 18x12x3	RANCILIO
2	1186360	∅ 18x12x2	CIMBALI



BRASILIA



Photo	LF Code	Dimensions (mm)	Suitable for
3	1401002	∅ 14.5x10x7	BEZZERA
4	1186206	∅ 16x10x8	ASTORIA/CMA - BFC - GRIMAC - NUOVA SIMONELLI - ROYAL
5	1186375	∅ 15x9x8	ELEKTRA
5	1186469	∅ 15x9x5	GAGGIA - PAVONI
6	1186498	∅ 14.5x11x2	EXPOBAR
6	1186256	∅ 31x19x3	SAN MARCO
6	1186266	∅ 26x12x7	UNIC

LEVEL PROBES BRASILIA

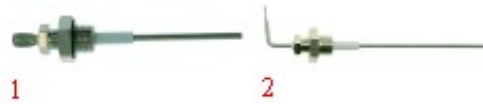


Photo	LF Code	Notes	Suitable for	For machine model
1	5030757	∅ 1/4"M-100 mm	BRASILIA 18749.8.00.08	---
2	1341001	∅ 1/4"M-125 mm	BRASILIA 00649.4.00.08	CENTURY - FIRENZE - GRADISCA - MINICLASSIC - PORTOFINO

LEVEL REGULATORS BRASILIA



Photo	LF Code	Features	Suitable for	For machine model
1	1054538	230V	BRASILIA 09522.2.00.08	CADETTA - CENTURY - DECURTIS - FIRENZE - GRADISCA
2	1054539	NRL30/1E-2C/8 230V	BRASILIA 01871.2.00.08	CENTURY - FIRENZE - GRADISCA - PORTOFINO - 100
3	1054529	SMA 220V	BRASILIA 01878.2.00.08	BELLEPOQUE JUNIOR - CAPPUCCINO - CLUB - LADY

LIP GASKETS BRASILIA



Photo	LF Code	Dimensions (mm)	Suitable for	For machine model
1	1186197	∅ 52x40x7	BRASILIA 00807.0.00.02	DECURTIS - PORTOFINO AL

MICROSWITCHES BRASILIA



1

Photo	LF Code	Volt	Suitable for	For machine model
1	3240410	16 (4)A 250V	BRASILIA 00654.2.00.08	DECURTIS - FIRENZE - MINICLASSIC - PORTOFINO - 100

MOTORS BRASILIA



1



2



3

Photo	LF Code	Model	Suitable for	For machine model
1	1240702	11002728 - 165W 220V 50Hz	BRASILIA 00600.4.00.08	CADETTA - CENTURY - GRADISCA - PORTOFINO - ROMA
2	1240602	11053704 - 330W 220/240V 50/60Hz	BRASILIA 99006.4.00.08	---
3	1240601	11053600 - 330W 110/120V 60Hz	BRASILIA	---

NBR FLAT GASKETS



1



2

Photo	LF Code	Dimensions	Suitable for	Notes
1	1186474	∅ 12x7x5 mm	GAGGIA	FOR STEAM/WATER TAPS - PER RUBINETTI VAPORE/ACQUA
1	1186474	∅ 12x7x5 mm	PAVONI	FOR STEAM/WATER TAPS - PER RUBINETTI VAPORE/ACQUA
2	1186311	∅ 13x4x4 mm	MANY BRANDS - MOLTI MARCHI	SEVERAL APPLICATIONS - MOLTE APPLICAZIONI



BRASILIA



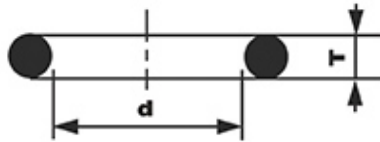
NOZZLES BRASILIA



Photo	LF Code	Notes	Suitable for	For machine model
1	1500530	M5x1 - \varnothing 0.75 mm	BRASILIA 00046.0.00.04	CADETTA - CAPPUCCINO - CENTURY - FIRENZE - GRADISCA
2	1501522	M6x1 - \varnothing 0.75 mm	BRASILIA 12792.0.00.04	CENTURY RESTYLING - CLASSICA - DECURTIS - EXCELSIOR

O-RING GASKETS THICKNESS 2.62 mm

2.62 mm



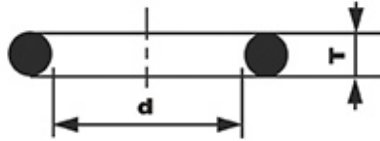
Dimensions (mm) T x d	Model (new cross-references)	Model (old cross-references)	LF Code	LF Code	LF Code	LF Code	LF Code
			(EPDM)	(VITON) STANDARD	(SILICONE) RED	(VITON) MIX COLOR	(SILICONE) MIX COLOR
2.62 x 6.02	OR 03024		3786668		1786137		
2.62 x 7.59	OR 03030		1186358	1786155	1786280	1786197	
2.62 x 9.13	OR 0109	OR 0109	1186255	5029740	1186910		3186608
2.62 x 9.19	OR 03037	OR 0111	3186340	1786202			
2.62 x 9.92	OR 0112	OR 0112	1186304		1786049	1186879	1186914
2.62 x 10.78	OR 03043	OR 0113	1186318		3786719	1186236	
2.62 x 11.91	OR 0115	OR 0115	1186805	1186709	1186745		
2.62 x 12.37	OR 03050	OR 0116	3060608	3090132	1186458		
2.62 x 13.10	OR 0117	OR 0117	3243086		1186085		1786234
2.62 x 13.95	OR 03056	OR 0118	3186860		1186762		
2.62 x 15.08	OR 0119	OR 0119	1186414	1186714	3523062		
2.62 x 15.88	OR 0121	OR 0121	3186434	1186246			
2.62 x 17.13	OR 03068	OR 0122	3186181	1786276	1186850		
2.62 x 17.86	OR 0123	OR 0123	3186287		1186000		1199001
2.62 x 18.72	OR 03075	OR 0124	1186356		5059295		
2.62 x 20.24	OR 03081	OR 0127	1186327	5039864	1186026		1186053
2.62 x 20.63	OR 0128	OR 0128	3186183	1186591		1786300	
2.62 x 21.89	OR 03087		1786233		1186796		
2.62 x 22.22	OR 0130	OR 0130	3186253		1186292		
2.62 x 23.47	OR 03093		1186922				
2.62 x 23.81	OR 0132	OR 0132	1186438				
2.62 x 25.07	OR 03100		1186833				
2.62 x 26.65	OR 03106		1186759			5045475	1786243
2.62 x 28.25	OR 03112		3186247	5037072			7104228
2.62 x 29.82	OR 03118		3186458				
2.62 x 31.42	OR 03125		3186244			1186930	
2.62 x 32.99	OR 03131		3186847	5029479	1186920		
2.62 x 34.60	OR 03137		3243250	1186767			
2.62 x 36.14	OR 03143		5027619				
2.62 x 39.34	OR 03156		3786183	1186184			



Dimensions (mm) T x d	Model (new cross-references)	Model (old cross-references)	LF Code (EPDM)	LF Code (VITON) STANDARD	LF Code (SILICONE) RED	LF Code (VITON) MIX COLOR	LF Code (SILICONE) MIX COLOR
2.62 x 40.95	OR 03162		3243389				
2.62 x 42.52	OR 03168		3160040	1186705			
2.62 x 45.69	OR 03181		1186466				
2.62 x 47.30	OR 03187		3160044		1786313		
2.62 x 48.89	OR 03193		1186672	5055114			
2.62 x 50.47	OR 03200		3186245	5034849		1186948	
2.62 x 53.65	OR 03212		3060038		1186847		
2.62 x 58.42	OR 03231		3186455		1199075		
2.62 x 60.00	OR 03237		3243166				
2.62 x 61.60	OR 03243		3122252				
2.62 x 63.17	OR 03250		3186315				
2.62 x 64.77	OR 03256		1786203	1786153			
2.62 x 67.95	OR 03268		3186248				
2.62 x 71.12	OR 03281		1186625		1186405		
2.62 x 72.69	OR 03287		1186152				
2.62 x 75.87	OR 03300		1186237	1186779			
2.62 x 78.94			3786579				
2.62 x 88.57	OR 03350		5015751		1786124		
2.62 x 94.92	OR 03375		1186605				
2.62 x 215.57	OR 03850		3786202				

O-RING GASKETS THICKNESS 3.53 mm

3.53 mm



Dimensions (mm) T x d	Model (new cross-references)	Model (old cross-references)	LF Code (EPDM)	LF Code (VITON) STANDARD	LF Code (SILICONE) RED	LF Code (VITON) MIX COLOR	LF Code (SILICONE) MIX COLOR
3.53 x 9.12	OR 04036		6456047	2102713			
3.53 x 15.47	OR 04061		1186019		3786053		
3.53 x 17.04	OR 04067		3786519				
3.53 x 18.64	OR 04075	OR 0125	1186472	1186766	3186610		
3.53 x 20.22	OR 04081	OR 0126	1186238	2111463	1186009		
3.53 x 21.82	OR 04087	OR 0129	1186630	4059475			
3.53 x 23.40	OR 04093	OR 0131	3186143	5028161	1786050		
3.53 x 26.58	OR 04106	OR 0135	1186231		1786119		
3.53 x 28.17	OR 04112	OR 0136	1186480	3786008	1786018		1186869
3.53 x 29.75	OR 04118	OR 0137	3243142	1786167	1186874	1186790	1786199
3.53 x 31.34	OR 04125	OR 0138	1186506		1186010		
3.53 x 32.93	OR 04131	OR 0139	1186655	3186580	1786210	1786098	
3.53 x 34.52	OR 04137	OR 0140	3061040		1186990	1186403	1186963
3.53 x 36.10	OR 04143	OR 0141	3186338		1786118		
3.53 x 37.69	OR 04150	OR 0142	3186197	5034986	1186905		1786168
3.53 x 39.69	OR 0144	OR 0144	3186606		1786099		1186947
3.53 x 40.86	OR 04162		3067198	40C6450	5039021		
3.53 x 41.28	OR 0146	OR 0146	3186238	1186798			
3.53 x 42.86	OR 0147	OR 0147	3186184	1786117	1786140		
3.53 x 44.04	OR 04175		3186175	1786152			
3.53 x 46.04	OR 0150	OR 0150	3786181				
3.53 x 47.22	OR 04187		3186290	1186190			
3.53 x 47.63	OR 0152	OR 0152	1186087			1186931	



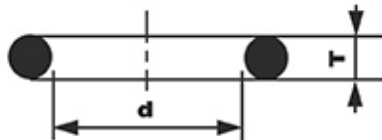
BRASILIA



Dimensions (mm) T x d	Model (new cross-references)	Model (old cross-references)	LF Code (EPDM)	LF Code (VITON) STANDARD	LF Code (SILICONE) RED	LF Code (VITON) MIX COLOR	LF Code (SILICONE) MIX COLOR
3.53 x 49.21	OR 0153	OR 0153	3786454	5005318	1786116		
3.53 x 50.39	OR 04200		3186601	3786459	4006406		
3.53 x 50.80	OR 0155	OR 0155	3316031		1186503	1786311	
3.53 x 53.57	OR 04212		1186643			5501390	
3.53 x 55.56	OR 0159	OR 0159	3186697	1186715			
3.53 x 56.74	OR 04225		1186799				
3.53 x 57.15	OR 0161	OR 0161	1186198	1786292			
3.53 x 58.74	OR 0162	OR 0162	1186199	1786287			
3.53 x 59.92	OR 04237		3316110				
3.53 x 60.33	OR 0164	OR 0164	1186230	1786011			
3.53 x 63.09	OR 04250		1186022				
3.53 x 63.50	OR 0167	OR 0167	3186454		1786298		
3.53 x 65.09	OR 0168	OR 0168	1186645				
3.53 x 68.26	OR 0171	OR 0171	1186763				
3.53 x 69.44	OR 04275		5022973		1786209		
3.53 x 71.44	OR 0174	OR 0174	3243160				
3.53 x 73.03	OR 0176	OR 0176	1186641		1186858	1786254	
3.53 x 75.80	OR 04300		1186748		1786110		
3.53 x 78.97	OR 04312		3186271	1186698	1786268		
3.53 x 82.14	OR 04325		1186693				
3.53 x 85.32	OR 04337		1186519				
3.53 x 88.50	OR 04350		1186873				1786261
3.53 x 91.67	OR 04362		3061007				
3.53 x 94.84	OR 04375		3061011				
3.53 x 98.02	OR 04387		3186137				
3.53 x 101.20	OR 04400		3160607	5501389	1786129		
3.53 x 107.50	OR 04425		3186235			1786214	
3.53 x 110.70	OR 04437		3061016				
3.53 x 113.90	OR 04450		3186456				
3.53 x 120.20	OR 04475		3186466		1186806		
3.53 x 132.90	OR 04525		1186941				
3.53 x 136.10	OR 04537		1186708				
3.53 x 148.80	OR 04587		3122552				
3.53 x 158.30	OR 04625		3122255				
3.53 x 164.70	OR 04650		3122344				
3.53 x 183.70	OR 04725		3061037				

O-RING GASKETS THICKNESS 5.34 mm

5.34 mm



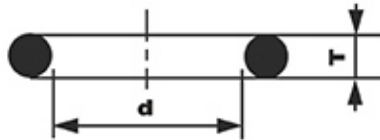
Dimensions (mm) T x d	Model (new cross-references)	Model (old cross-references)	LF Code (EPDM)	LF Code (VITON) STANDARD	LF Code (SILICONE) RED	LF Code (VITON) MIX COLOR	LF Code (SILICONE) MIX COLOR
5.34 x 34.29	OR 06135		1186220				
5.34 x 37.47	OR 06150	OR 0143	3186001			5018795	
5.34 x 40.65	OR 06162	OR 0145	5026454	1786272			
5.34 x 43.82	OR 06175	OR 0148	3186339		5039034		
5.34 x 47.00	OR 06187	OR 0151	3186013	5060790	3186313		
5.34 x 50.16	OR 06200	OR 0154	3186333		1786275		
5.34 x 53.34	OR 06212	OR 0157	1186673	3186241	1786273		5023642



Dimensions (mm) T x d	Model (new cross-references)	Model (old cross-references)	LF Code (EPDM)	LF Code (VITON) STANDARD	LF Code (SILICONE) RED	LF Code (VITON) MIX COLOR	LF Code (SILICONE) MIX COLOR
5.34 x 56.52	OR 06225	OR 0160	3186014				3186314
5.34 x 59.69	OR 06237	OR 0163	1186932		5038239		
5.34 x 62.87	OR 06250	OR 0166	3186331				
5.34 x 66.04	OR 06262	OR 0169	1186505				
5.34 x 69.22	OR 06275	OR 0172	3160061				
5.34 x 72.39	OR 06287	OR 0175	3786685				
5.34 x 74.63	OR 0178	OR 0178	3186015		1786009		
5.34 x 75.57	OR 06300	OR 0179	5039882	1186456			
5.34 x 78.74	OR 06312	OR 0180	3010048				
5.34 x 79.77	OR 0181	OR 0181	5006335				
5.34 x 81.92	OR 06325	OR 0182	3243088				
5.34 x 85.09	OR 06337	OR 0183	3186335		1786246		
5.34 x 94.62	OR 06375	OR 0187	1786002				
5.34 x 100.00	OR 0189	OR 0189	1186749				
5.34 x 110.50	OR 06437	OR 0194	5010476				1186075
5.34 x 120.70	OR 0201	OR 0201	3160615				
5.34 x 139.70	OR 0215	OR 0215	5052966				

O-RING GASKETS THICKNESS 7.00 mm

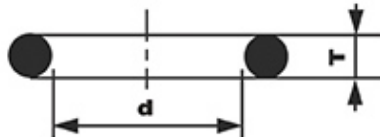
7.00 mm



Dimensions (mm) T x d	Model (new cross-references)	Model (old cross-references)	LF Code (EPDM)	LF Code (VITON) STANDARD	LF Code (SILICONE) RED	LF Code (VITON) MIX COLOR	LF Code (SILICONE) MIX COLOR
7.00 x 135.90	OR 08537	OR 0212	5050109				
7.00 x 142.20	OR 08562	OR 0216	2104555				
7.00 x 155.60	OR 0223	OR 0223	5006513				
7.00 x 183.52	OR 08725	OR 0234	5024838				
7.00 x 204.67	OR 08950	OR 0246	5026360		5029810		
7.00 x 266.07	OR 081050	OR 0250	5034088				
7.00 x 297.80	OR 081175	OR 0255	5032360				

O-RING THICKNESS 1.78 mm

1.78 mm



Dimensions (mm) T x d	Model (new cross-references)	Model (old cross-references)	LF Code (EPDM)	LF Code (VITON) STANDARD	LF Code (SILICONE) RED	LF Code (VITON) MIX COLOR	LF Code (SILICONE) MIX COLOR
1.78 x 1.78	OR 02007		2111723				
1.78 x 2.57	OR 02010		1186163	1186746			
1.78 x 2.90	OR 02012	OR 0101	1186365		1186846	1186842	
1.78 x 3.69	OR 02015	OR 0102	1186014	1186900	1786278	1786095	1186514



BRASILIA



Dimensions (mm) T x d	Model (new cross-references)	Model (old cross-references)	LF Code	LF Code	LF Code	LF Code	LF Code
			(EPDM)	(VITON) STANDARD	(SILICONE) RED	(VITON) MIX COLOR	(SILICONE) MIX COLOR
1.78 x 4.48	OR 02018	OR 0103	1186421	1186755	1186861		
1.78 x 5.28	OR 02021	OR 0104	1186362	1786088	1186903	1786144	5056235
1.78 x 6.07	OR 02025	OR 0105	3243139	1186612	1186611	1786143	1486013
1.78 x 6.75	OR 0106	OR 0106	3243009	1186435	1186864		
1.78 x 7.66	OR 02031	OR 0107	1186411	1186717	1186901	1786085	
1.78 x 8.73	OR 0108	OR 0108	1186422	1186707	1186902		
1.78 x 9.25	OR 02037	OR 0110	1186803	1186088	1786087	1786267	
1.78 x 10.82	OR 02043		1186346	1786303	5008673	1186950	
1.78 x 11.11	OR 0114	OR 0114	1186626	1186730	1186877		1786075
1.78 x 12.42	OR 02050		1186352		1186366		
1.78 x 14.00	OR 02056		1186223	1786154	1786061	5037375	
1.78 x 15.60	OR 02062		1186424	1786232	1786159	1786208	
1.78 x 17.17	OR 02068		3243069	1786271		1786165	
1.78 x 18.77	OR 02075		3186440			1186933	5008687
1.78 x 20.35	OR 02081		3243266				1186373
1.78 x 21.95	OR 02087		3243382	1786277			
1.78 x 23.52	OR 02093		1186401				
1.78 x 25.12	OR 02100		3186169				
1.78 x 26.70	OR 02106		3186343		1186863		
1.78 x 28.30	OR 02112		3186754	1186631			
1.78 x 29.87	OR 02118		5010533				
1.78 x 31.47	OR 02125		3243191	1186919	1786139		
1.78 x 33.05	OR 02131		1186003		3186317		
1.78 x 34.65	OR 02137		3243189		5060454	1186929	
1.78 x 47.35	OR 02187		7102065		3186657		
1.78 x 50.52	OR 02200		1186956				
1.78 x 60.05	OR 02237		6456037				
1.78 x 72.75	OR 02287		5059891				
1.78 x 75.92	OR 02300		1186397				
1.78 x 82.27	OR 02325		6456074				
1.78 x 88.62	OR 02350		3186232				
1.78 x 94.97	OR 02375		3122121				
1.78 x 120.37	OR 02475		3122365				
1.78 x 133.07	OR 02525		3186239				

PINS BRASILIA



Photo	LF Code	Dimensions	Suitable for	Notes	For machine model
1	1324048	---	BRASILIA 09320.0.00.04	FOR BREW GROUPS - PER GRUPPI EROGAZIONE	DECURTIS - GRADISCA
2	1324024	---	BRASILIA 04091.0.00.04	FOR BREW GROUPS - PER GRUPPI EROGAZIONE	CENTURY RESTYLING - GRADISCA
3	1324053	∅ 9x28 mm	BRASILIA 02134.0.00.04	FOR BREW GROUPS - PER GRUPPI EROGAZIONE	DECURTIS AL - PORTOFINO AL
4	1324200	---	BRASILIA 02135.0.00.04	FOR BREW GROUPS - PER GRUPPI EROGAZIONE	DECURTIS AL - PORTOFINO AL
5	1348348	---	BRASILIA 02086.0.10.04	FOR STEAM/WATER TAPS - PER RUBINETTI VAPORE/ACQUA	FIRENZE



PIPES BRASILIA



Photo	LF Code	Notes	Suitable for	For machine model
1	1348096	---	BRASILIA 00284.2.00.04	BELLEPOQUE - CENTURY AMERICA - PORTOFINO AMERICA
2	1449010	∅ 1/4" M - ∅ 8 mm - 155 mm	BRASILIA 06440.2.00.04	CENTURY - CLASSICA - PORTOFINO - ROMA - 100 - 105 - 205

PRECISION COFFEE FILTERS BRASILIA



Photo	LF Code	Model	Suitable for	Notes
1	1460100	1 CUP - 6/8 gr - H24.5	BRASILIA	---
1	1460101	1 CUP - 7/9 gr - H26.5	BRASILIA	---
2	1460102	2 CUPS - 12/18 gr - H24.5	BRASILIA	---
2	1460103	2 CUPS - 14/20 gr - H26.5	BRASILIA	---
3	1460104	3 CUPS - 18/22 gr - H28.5	BRASILIA	---

Filtri progettati per ottenere la perfetta estrazione del caffè , acciaio Aisi 316 , certificati alimentare

PRESSURE GAUGES BRASILIA

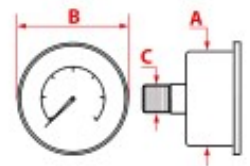


Photo	LF Code	Scale (bar)	Dimensions A - B - C (mm)	Suitable for	For machine model
1	1245009	0÷2.5/0÷15	63 - 70 - 1/8	BRASILIA 00737.2.00.08	GRADISCA
2	1245532	0÷2.5/0÷15	63 - 70 - 1/8	BRASILIA 06622.2.00.08	FIRENZE
3	1245535	0÷2.5/0÷16	63 - 70 - 1/8	BRASILIA 06555.2.00.08	PORTOFINO



BRASILIA



PRESSURE SWITCHES PARKER



1

Photo	LF Code	Model	Scale (bar)
1	1320541	PS325-1C - 3 POLES - 20A - 1/4"	0.5÷1.4

PRESSURE SWITCHES SIRAI



1



2



3

Photo	LF Code	Model	Scale (bar)
1	1320531	P302/6 - 3 POLES - 30A - 1/4"	0.5÷1.4
2	1320533	P302/6	---
3	1320800	P203T01 - 2 POLES - 20A - 1/4"	0.5÷1.4
3	1320801	P203T02 - 2 POLES - 20A - 1/4"	0.9÷1.7
3	1320802	P303T01 - 3 POLES - 20A - 1/4"	0.5÷1.4
3	1320803	P303T02 - 3 POLES - 20A - 1/4"	0.9÷1.7

PROBES BRASILIA



1

Photo	LF Code	Connection	Suitable for	For machine model
1	1397012	∅ 1/4" M	BRASILIA 20553.2.00.08	OPUS SUBLIMA

PROTECTIVE RUBBERPIECES



Photo	LF Code	For pipe \varnothing (mm)	Suitable for
1	1186398	8	NUOVA SIMONELLI
1	5030025	10	NUOVA SIMONELLI - SANREMO
2	1187501	8	ALL BRANDS - TUTTE LE MARCHE
2	1186924	10	CASADIO - CIMBALI - FAEMA - FIAMMA
3	1186180	10	ALL BRANDS - TUTTE LE MARCHE
4	1549009	8	ASTORIA/CMA - MCE - WEGA
5	1549011	10	CIMBALI - FAEMA

PROTECTIVE RUBBERPIECES



Photo	LF Code	For pipe \varnothing (mm)	Suitable for
1	1186339	8	ALL BRANDS - TUTTE LE MARCHE
1	1186080	10	ALL BRANDS - TUTTE LE MARCHE
2	1549020	10	GAGGIA
3	1187001	10	SPAZIALE
4	1449172	8	ASTORIA/CMA - ELEKTRA - MARZOCCO - WEGA
5	1649001	10	FRACINO
6	1649002	8	CARIMALI

PTFE FLAT GASKETS



LF Code	Dimensions	Suitable for	Notes
5500622	\varnothing 6x1.8x2 mm	SAECO	FOR STEAM/WATER TAPS - PER RUBINETTI VAPORE/ACQUA
1186718	\varnothing 7x5x1 mm	SPAZIALE	FOR HIDRAULIC SYSTEM - PER IMPIANTO IDRAULICO
1186974	\varnothing 8.5x4.5x1.5 mm	CIMBALI - CASADIO	FOR MANOMETER - PER MANOMETRO
1786291	\varnothing 9.5x6x2 mm	VIBIEMME	FOR BREW GROUPS - PER GRUPPI EROGAZIONE
1186099	\varnothing 10x6x1 mm	BEZZERA - BIANCHI - BRASILIA	FOR BREW GROUPS - PER GRUPPI EROGAZIONE
1186099	\varnothing 10x6x1 mm	PAVONI - RENEKA	FOR BREW GROUPS - PER GRUPPI EROGAZIONE
1186434	\varnothing 10x7x0.5 mm	FAEMA	FOR BREW GROUPS - PER GRUPPI EROGAZIONE



BRASILIA



LF Code	Dimensions	Suitable for	Notes
1186359	∅ 11.4x8x3 mm	CIMBALI	FOR INLET TAPS - PER RUBINETTI CARICO
1186809	∅ 12x9x1 mm	FIAMMA - RANCILIO	FOR BREW GROUPS - PER GRUPPI EROGAZIONE
1186121	∅ 12x10x0.5 mm	FAEMA	FOR STEAM/WATER TAPS - PER RUBINETTI VAPORE/ACQUA
1186065	∅ 12x10x1 mm	BRASILIA - FIORENZATO - VIBIEMME	FOR STEAM/WATER TAPS - PER RUBINETTI VAPORE/ACQUA
1186908	∅ 12x10x2 mm	SAECO	---
1186581	∅ 13x3x4 mm	AZKOYEN	---
1186661	∅ 13x15.5x1 mm	BRASILIA	FOR STEAM/WATER TAPS - PER RUBINETTI VAPORE/ACQUA
1186945	∅ 14x10x1.5 mm	CIMBALI	FOR BOOSTER PUMPS - PER POMPE VOLUMETRICHE
1186794	∅ 14.6x12x3 mm	PROMAC	FOR STEAM/WATER TAPS - PER RUBINETTI VAPORE/ACQUA
1186189	∅ 15x11x2 mm	ASTORIA/CMA	FOR BREW GROUPS - PER GRUPPI EROGAZIONE
3186273	∅ 16.5x12.5x1.5 mm	---	---
1186240	∅ 17x12x0.5 mm	FAEMA	FOR BREW GROUPS - PER GRUPPI EROGAZIONE
1186468	∅ 17x12x1.5 mm	PAVONI - GAGGIA	---
1186982	∅ 17x13x2 mm	GRIMAC	FOR BOILER SAFETY VALVES - PER VALVOLA BOILER
1186982	∅ 17x13x2 mm	PAVONI	FOR BREW GROUPS - PER GRUPPI EROGAZIONE
1186982	∅ 17x13x2 mm	VIBIEMME	FOR LEVEL CAPS - PER TAPPO LIVELLO
1186079	∅ 17x13x3 mm	BRASILIA	FOR BREW GROUPS - PER GRUPPI EROGAZIONE
1186119	∅ 17.3x12x2 mm	CONTI	FOR BREW GROUPS - PER GRUPPI EROGAZIONE
1186030	∅ 18x3.5x1 mm	EXPOBAR	FOR BREW GROUPS - PER GRUPPI EROGAZIONE
1186443	∅ 18x9x0.5 mm	RANCILIO - PROMAC	FOR STEAM/WATER TAPS - PER RUBINETTI VAPORE/ACQUA
1186404	∅ 18x13x2 mm	MANY BRANDS - MOLTI MARCHI	SEVERAL APPLICATIONS - MOLTE APPLICAZIONI
1786301	∅ 18x13.5x2 mm	FIAMMA	---
1786166	∅ 18x14x1.5 mm	CIMBALI - CASADIO	FOR BOILER SAFETY VALVES - PER VALVOLA BOILER
1786040	∅ 18.2x13x2.5 mm	EXPOBAR	---
1786251	∅ 19x14.5x2 mm	CARIMALI	FOR BREW GROUPS - PER GRUPPI EROGAZIONE
1786001	∅ 20x13x3 mm	---	---
1186959	∅ 20x15x1 mm	CIMBALI - FAEMA	---
1186594	∅ 20x17x2 mm	BRASILIA	FOR INLET TAPS - PER RUBINETTI CARICO
1186594	∅ 20x17x2 mm	ORCHESTRALE	FOR STEAM/WATER TAPS - PER RUBINETTI VAPORE/ACQUA
1186594	∅ 20x17x2 mm	SANREMO	FOR BREW GROUPS - PER GRUPPI EROGAZIONE
1186201	∅ 21x16.8x2 mm	MANY BRANDS - MOLTI MARCHI	SEVERAL APPLICATIONS - MOLTE APPLICAZIONI
3786036	∅ 22x9x1 mm	---	---
1186326	∅ 22x16x2 mm	MANY BRANDS - MOLTI MARCHI	SEVERAL APPLICATIONS - MOLTE APPLICAZIONI
1186957	∅ 22x17x1.5 mm	CIMBALI - CASADIO	FOR STEAM/WATER TAPS - PER RUBINETTI VAPORE/ACQUA
1186314	∅ 22x17x2 mm	MANY BRANDS - MOLTI MARCHI	SEVERAL APPLICATIONS - MOLTE APPLICAZIONI
3186609	∅ 24x13x1.5 mm	---	---
1186323	∅ 24x18x2 mm	MANY BRANDS - MOLTI MARCHI	SEVERAL APPLICATIONS - MOLTE APPLICAZIONI
1186731	∅ 24x19x2 mm	FIORENZATO - MARZOCCO - VIBIEMME	FOR STEAM/WATER TAPS - PER RUBINETTI VAPORE/ACQUA
1786250	∅ 24x20x1.5 mm	CARIMALI	FOR BREW GROUPS - PER GRUPPI EROGAZIONE
3186278	∅ 25x16.5x0.5 mm	---	---
1186969	∅ 25x21x1.5 mm	CIMBALI - CASADIO	FOR FILTER - PER FILTRO
1786283	∅ 25.5x21x5 mm	VIBIEMME	FOR BREW GROUPS - PER GRUPPI EROGAZIONE
3786502	∅ 25.7x21.2x5 mm	EXPOBAR	---
1186516	∅ 26x17x2 mm	SPAZIALE	FOR HEATING ELEMENTS - PER RESISTENZE
1186118	∅ 26x19x2 mm	FIORENZATO	FOR STEAM/WATER TAPS - PER RUBINETTI VAPORE/ACQUA
1186117	∅ 26x21x2 mm	MANY BRANDS - MOLTI MARCHI	SEVERAL APPLICATIONS - MOLTE APPLICAZIONI
1186537	∅ 26x22x2 mm	EXPOBAR	FOR BREW GROUPS - PER GRUPPI EROGAZIONE
1186537	∅ 26x22x2 mm	PAVONI	FOR BREW GROUPS - PER GRUPPI EROGAZIONE
1186127	∅ 27x20x0.5 mm	FAEMA	FOR INLET TAPS - PER RUBINETTI CARICO
1186248	∅ 27x20x1 mm	CASADIO	FOR BREW GROUPS - PER GRUPPI EROGAZIONE
1186248	∅ 27x20x1 mm	FAEMA	FOR STEAM/WATER TAPS - PER RUBINETTI VAPORE/ACQUA
1186290	∅ 27x21x2 mm	SAN MARCO	FOR BREW GROUPS - PER GRUPPI EROGAZIONE
1186281	∅ 28x23x2 mm	PAVONI	FOR STEAM/WATER TAPS - PER RUBINETTI VAPORE/ACQUA
1186281	∅ 28x23x2 mm	SAN MARCO	FOR BREW GROUPS - PER GRUPPI EROGAZIONE
1186770	∅ 33x28x4 mm	ASTORIA/CMA	FOR BREW GROUPS - PER GRUPPI EROGAZIONE
1186361	∅ 34x27x2 mm	SAN MARCO	FOR BREW GROUPS - PER GRUPPI EROGAZIONE
3186665	∅ 35x21x2 mm	---	---
1186328	∅ 35x30x2 mm	MANY BRANDS - MOLTI MARCHI	SEVERAL APPLICATIONS - MOLTE APPLICAZIONI
1186307	∅ 36x30x2 mm	MANY BRANDS - MOLTI MARCHI	SEVERAL APPLICATIONS - MOLTE APPLICAZIONI
3786512	∅ 40x34x3 mm	CONTI	---



LF Code	Dimensions	Suitable for	Notes
1186993	∅ 42x33x3 mm	BEZZERA	FOR HEATING ELEMENTS - PER RESISTENZE
1186243	∅ 42x34x0.5 mm	FAEMA	FOR BREW GROUPS - PER GRUPPI EROGAZIONE
1186608	∅ 50x40x2 mm	ASTORIA/CMA - SAN MARCO - SPAZIALE	FOR HEATING ELEMENTS - PER RESISTENZE
1186994	∅ 50x40x5.5 mm	SAN MARCO	FOR BREW GROUPS - PER GRUPPI EROGAZIONE
1186800	∅ 50x44x4 mm	FIorenZATO - VIBIEMME	FOR BREW GROUPS - PER GRUPPI EROGAZIONE
1186979	∅ 52x40x2 mm	EXPOBAR	FOR HEATING ELEMENTS - PER RESISTENZE
1186979	∅ 52x40x2 mm	QUICK MILL	FOR HEATING ELEMENTS - PER RESISTENZE
1186623	∅ 53x43x3 mm	MANY BRANDS - MOLTI MARCHI	FOR HEATING ELEMENTS - PER RESISTENZE
3743110	∅ 57x41x2 mm	---	---
1186179	∅ 57x43x3 mm	MANY BRANDS - MOLTI MARCHI	FOR HEATING ELEMENTS - PER RESISTENZE
1186194	∅ 58x43x2 mm	ASTORIA/CMA - ORCHESTRALE	FOR HEATING ELEMENTS - PER RESISTENZE
1186609	∅ 58x51x2 mm	CIMBALI	FOR HEATING ELEMENTS - PER RESISTENZE
1186639	∅ 62x51x2 mm	SPAZIALE	FOR HEATING ELEMENTS - PER RESISTENZE
1186455	∅ 65x47x1.5 mm	RANCILIO - PROMAC	FOR HEATING ELEMENTS - PER RESISTENZE
1186409	∅ 68x55x3 mm	NUOVA SIMONELLI	FOR HEATING ELEMENTS - PER RESISTENZE
1186188	∅ 72x61x2 mm	ASTORIA/CMA	FOR HEAT EXCHANGES - PER SCAMBIATORE
1186297	∅ 73x61x3 mm	---	---
1186155	∅ 76x68.4x3 mm	CONTI	FOR HEATING ELEMENTS - PER RESISTENZE
1786213	∅ 85x70x2 mm	---	---

RELAYS BRASILIA



1

Photo	LF Code	Features	Suitable for	For machine model
1	3351154	ES8 10A 400V	BRASILIA 01810.2.00.08	CENTURY - FIRENZE - GRADISCA - PORTOFINO

ROTARY VANE PUMPS PROCON



1



2



3



4



5

Photo	LF Code	Flow rate (l/h)	Connections (∅)	Suitable for
1	1330012	200	3/8" NPT	ALL BRANDS - TUTTE LE MARCHE
1	1330024	100	3/8" NPT	PAVONI
1	1330019	100	3/8" NPT	CIMBALI - FAEMA - SPAZIALE
2	1330016	200	3/8" NPT	ALL BRANDS - TUTTE LE MARCHE
3	1330033	180	3/8"	CASADIO - CIMBALI - FAEMA
4	1330011	200	3/8" NPT	FAEMA
5	1330017	150	3/8"	CASADIO - CIMBALI - FAEMA



BRASILIA



ROTARY VANE PUMPS ROTOFLOW



Photo	LF Code	Flow rate (l/h)	Connections (ø)	Suitable for
1	1330021	50	3/8"	ALL BRANDS - TUTTE LE MARCHE
1	1330034	70	3/8"	ALL BRANDS - TUTTE LE MARCHE
1	1330008	150	3/8"	ALL BRANDS - TUTTE LE MARCHE
1	1330026	200	3/8"	ALL BRANDS - TUTTE LE MARCHE
1	1330001	100	3/8" NPT	ALL BRANDS - TUTTE LE MARCHE
1	1330029	150	3/8" NPT	ALL BRANDS - TUTTE LE MARCHE
1	1330002	200	3/8" NPT	ALL BRANDS - TUTTE LE MARCHE
1	1330101	100	3/8" NPT ECO BRASS	ALL BRANDS - TUTTE LE MARCHE
1	1330102	200	3/8" NPT ECO BRASS	ALL BRANDS - TUTTE LE MARCHE
1	1330030	200	3/8"	RANCILIO 10705960
2	1330025	70	3/8"	ALL BRANDS - TUTTE LE MARCHE
2	1330004	100	3/8" NPT	ALL BRANDS - TUTTE LE MARCHE
3	1330022	50	3/8"	ALL BRANDS - TUTTE LE MARCHE
3	1330005	100	3/8"	ALL BRANDS - TUTTE LE MARCHE
3	1330122	50	3/8" ECO BRASS	ALL BRANDS - TUTTE LE MARCHE
4	1330031	150	3/8"	CASADIO - CIMBALI - FAEMA
5	1330003	200	3/8" NPT	FAEMA - GRIMAC
6	1330006	200	3/8"	UNIC

SCREWS SPECIAL



Photo	LF Code	Dimensions	Suitable for	For machine model
1	1184005	M6	BEZZERA 7479951	GALATEA - GALATEA DOMUS - GIULIA - UNICA
1	1184005	M6	BRASILIA 13651.0.40.04	DECURTIS - GRADISCA - MINICLASSIC
2	1528506	M5x12 mm	CARIMALI 14.00700	ECO - SYSTEMA - UNO
3	1184016	---	CASADIO 590787001	VENTI
3	1184016	---	CIMBALI 590-787-001	JUNIOR - M20 - M25 - M27 - M28 - M30
3	1184018	---	CIMBALI 593-815-010	M21 - M24 - M29 - M31 - M32 - M39 - M39GT
4	1184017	---	CIMBALI 593-811-010	M21JUNIOR - M24 - M31 - M32 - M39GT - M39TE
5	1528041	M4x8 mm	ELEKTRA 01952015	BELLEPOQUE - CLASSIC - KAPPA - MODERN - SIXTIES
6	1528033	---	FAEMA 4001135950	E61

SELECTOR SWITCHES BRASILIA



Photo	LF Code	Positions number	Contact capacity	Suitable for	For machine model
1	1319531	0-2	16A 600V	BRASILIA 24442.8.00.09	CENTURY - CENTURY RESTYLING - GRADISCA - PORTOFINO
2	1319012	0-2	20A 690V	BRASILIA 17213.2.00.08	BELLEPOQUE - FIRENZESI - ROMA
3	1057531	0-5	---	BRASILIA 01814.2.00.08	BELLEPOQUE

SHOWER SCREENS BRASILIA



Photo	LF Code	Dimensions	Suitable for	For machine model
1	1081039	∅ 34.0 mm	BRASILIA 06216.0.40.01	MINIPOD
2	1081002	∅ 51.5 mm	BRASILIA 00562.0.40.01	CENTURY - CLUB - LADY - PORTOFINO - ROMA
3	1081009	∅ 61.0 mm	BRASILIA 11362.0.40.01	CADETTA - PORTOFINO AL - 205R

SPACERS



Photo	LF Code	Dimensions (mm)	Material
1	1190101	∅ 64x53x0.7	PAPER/CARTA
1	1190021	∅ 66x58x0.8	PAPER/CARTA
1	1190006	∅ 69x57x0.8	PAPER/CARTA
1	1190005	∅ 70x57x0.5	PAPER/CARTA
1	1190051	∅ 70x57x0.8	PAPER/CARTA
1	1190011	∅ 72x58x0.8	PAPER/CARTA
1	1190001	∅ 73x59x0.8	PAPER/CARTA
2	1190007	∅ 64x53x1.0	EPDM
2	1190003	∅ 70x57x1.0	EPDM
2	1190002	∅ 73x59x1.0	EPDM
3	1190004	∅ 71x58x0.6	VITON



BRASILIA



SPECIFIC COUPLINGS BRASILIA



Photo	LF Code	Dimensions	Notes	Suitable for	For machine model
1	1349014	∅ 1/2"M-1/2"M	FOR BOILERS - PER CALDAIE	BRASILIA 07407.0.00.04	CENTURY - GRADISCA - PORTOFINO
2	1349278	∅ 1/2"M-1/2"M-1/4"F	FOR BOILERS - PER CALDAIE	BRASILIA 07408.0.00.04	CENTURY - GRADISCA - PORTOFINO
3	1160700	∅ 3/8"M-3/8"M	FOR PUMPS - PER POMPE	BRASILIA 08193.8.00.09	CLASSICA - DECURTIS

SPECIFIC SPOUTS - VARIOUS BRANDS



Photo	LF Code	Connection (∅)
1	1022032	3/8
2	1022059	3/8
3	1022505	3/8
4	1022550	3/8
5	1022099	3/8

SPECIFIC VENT VALVES



Photo	LF Code	Technical notes	Suitable for
1	1523651	∅ 3/8"M BRASS-OTTONE	PROMAC - RANCILIO
2	1515016	∅ 1/4"M BRASS-OTTONE	EXPOBAR
3	1523004	∅ 1/4"M	BRASILIA
4	1523047	∅ 1/4"M PLASTIC-PLASTICA	FRANKE
5	1523051	∅ 3/8"M	PROMAC - RANCILIO
6	1523073	∅ 1/4"M	CIMBALI - FAEMA



SPRINGS BRASILIA



Photo	LF Code	Dimensions	Notes	Suitable for	For machine model
1	1250204	∅ 7x33 mm	FOR INLET TAPS - PER RUBINETTI CARICO	BRASILIA 17694.0.00.03	CENTURY - GRADISCA
2	1250201	∅ 8x20 mm	FOR INLET TAPS - PER RUBINETTI CARICO	BRASILIA 05538.0.00.03	CENTURY AMERICA
3	1250202	∅ 8x30 mm	FOR INLET TAPS - PER RUBINETTI CARICO	BRASILIA 00870.0.00.03	CENTURY - PORTOFINO
4	1250074	∅ 10.5x27 mm	FOR STEAM/WATER TAPS - PER RUBINETTI VAPORE/ACQUA	BRASILIA 10962.0.00.03	CENTURY - PORTOFINO
5	1250203	∅ 11x30 mm	FOR INLET TAPS - PER RUBINETTI CARICO	BRASILIA 00884.0.00.03	CENTURY - PORTOFINO
6	1250548	∅ 11x58 mm	FOR BREW GROUPS - PER GRUPPI EROGAZIONE	BRASILIA 03788.0.00.03	CENTURY RESTYLING

SPRINGS BRASILIA

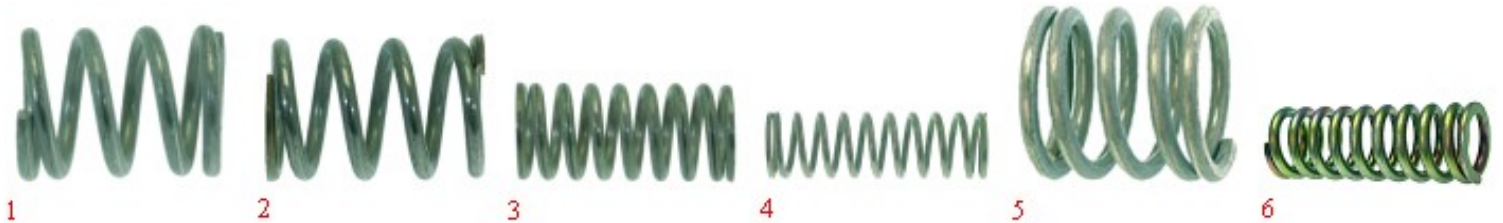


Photo	LF Code	Dimensions	Notes	Suitable for	For machine model
1	1250151	∅ 12x15 mm	FOR WATER/STEAM PIPES - PER TUBI ACQUA/VAPORE	BRASILIA 07060.0.00.03	CLASSICA - GRADISCA
2	1250011	∅ 14.6x21 mm	FOR BREW GROUPS - PER GRUPPI EROGAZIONE	BRASILIA 12941.0.00.03	DECURTIS - GRADISCA
3	1250515	∅ 14x33 mm	FOR BREW GROUPS - PER GRUPPI EROGAZIONE	BRASILIA 08953.0.00.03	DECURTIS - GRADISCA
4	1250537	∅ 14x45 mm	FOR BREW GROUPS - PER GRUPPI EROGAZIONE	BRASILIA 08952.0.00.03	DECURTIS - GRADISCA
5	1250521	∅ 15x17 mm	FOR STEAM/WATER TAPS - PER RUBINETTI VAPORE/ACQUA	BRASILIA 00879.0.00.03	BAR - AMERICA
6	1250501	∅ 46x141 mm	FOR BREW GROUPS - PER GRUPPI EROGAZIONE	BRASILIA 02222.0.00.03	DECURTIS - PORTOFINO AL

STEAM-WATER PIPES BRASILIA



Photo	LF Code	Notes	Suitable for	For machine model
1	1449335	---	BRASILIA 12058.4.00.09	BARAMERICA - CENTURY - FIRENZE - GRADISCA - PORTOFINO
2	1449344	---	BRASILIA 12060.4.00.09	GRADISCA
3	1449331	---	BRASILIA 12055.4.00.09	BARAMERICA - CENTURY - FIRENZE - GRADISCA - PORTOFINO
4	1449343	---	BRASILIA 12057.4.00.09	BARAMERICA - CENTURY - FIRENZE - GRADISCA - PORTOFINO
5	1449012	---	BRASILIA 13519.4.00.09	CENTURY - GRADISCA - PORTOFINO



BRASILIA



STEAM-WATER PIPES BRASILIA



Photo	LF Code	Notes	Suitable for	For machine model
1	1449332	---	BRASILIA 04661.0.10.04	BARAMERICA - CENTURY - FIRENZE - GRADISCA - PORTOFINO
2	1449018	---	BRASILIA 05004.4.00.09	BARAMERICA - CENTURY - FIRENZE - GRADISCA - PORTOFINO
3	1449020	---	BRASILIA 00039.0.10.04	BARAMERICA - CENTURY - FIRENZE - GRADISCA - PORTOFINO
4	1449016	---	BRASILIA 11097.2.10.04	BARAMERICA - CENTURY - FIRENZE - GRADISCA - PORTOFINO

STEAM-WATER TAPS BRASILIA



Photo	LF Code	Suitable for	For machine model
1	1348056	BRASILIA 21459.4.00.09	ROMA
2	1348330	BRASILIA 01169.6.00.09	AMERICA
3	1348356	BRASILIA 11927.4.00.09	CENTURY - CLASSICA - FIRENZE - FIRENZE SL - GRADISCA
4	1348334	BRASILIA 00107.4.00.04	CENTURY - CLASSICA - FIRENZE - FIRENZE SL - GRADISCA
5	1349064	BRASILIA 06509.0.00.04	CLASSICA - FIRENZE SL - GRADISCA - PORTOFINO AMERICA
6	1186670	BRASILIA 06508.0.00.04	CADETTA - CLASSICA - EXCELSIOR - FIRENZE SL - MINICLASSIC
6	1186668	BRASILIA 11029.0.00.04	GRADISCA

SWITCHES BRASILIA



Photo	LF Code	Notes	Suitable for	For machine model
1	1319611	SWITCH - INTERRUTTORE / 16A 250V	BRASILIA 06534.2.00.08	LADY - MINI - MINIPODS
2	1319612	SWITCH - INTERRUTTORE / 16A 250V	BRASILIA 07545.2.00.08	LADY - MINI - MINIPODS
3	3319294	SWITCH - INTERRUTTORE / 16A 250V	BRASILIA 08474.2.00.08	ATTIMO - ROMA
4	3319948	SWITCH - INTERRUTTORE / 16A 250V	BRASILIA 00663.2.00.08	ACTIONLADY - BELLE EPOQUE JUNIOR - CLUB
5	1319614	PUSH BUTTON - PULSANTE / 16A 250V	BRASILIA 00660.2.00.08	BELLE EPOQUE JUNIOR - CLUB
6	1319619	PUSH BUTTON - PULSANTE / 16A 250V	BRASILIA 00661.2.00.08	BELLE EPOQUE - BELLE EPOQUE JUNIOR - CLUB



SWITCHES BRASILIA



1



2



3



4



5

Photo	LF Code	Notes	Suitable for	For machine model
1	3319320	SWITCH - INTERRUTTORE / 16A 250V	BRASILIA 20050.2.00.08	EXCELSIOR
2	1319464	SWITCH - INTERRUTTORE / 16A 250V	BRASILIA 01976.2.00.08	CADETTA - CAPPUCCINO - CENTURY - CENTURY AMERICA
3	1319005	SWITCH - INTERRUTTORE / 16A 250V	BRASILIA VEINTCMBIP.08	302
4	3319921	SWITCH - INTERRUTTORE / 16A 250V	BRASILIA VEINTCMUNI.08	302
5	1319583	---	BRASILIA 12583.2.00.08	ROMA

UNIVERSAL CONTACT THERMOSTATS



1



2



3



4



5



6

Photo	LF Code	Temperature °C
1	1443017	85
1	1444506	90
1	1443010	93
1	1444003	95
1	1443005	98
1	1443011	100
1	1443072	104
1	1443400	107
1	1443071	110
1	3443081	125
1	1443401	135
1	1443004	145
2	1443070	135
2	1444206	145
2	1443002	165
3	1443079	95
3	3443026	110
3	5027936	125
3	1443066	130
3	1444521	155
3	1443034	200
4	5027937	170
4	1443012	180
5	1443055	125
5	5035435	140
5	1443063	143
6	1443030	---



BRASILIA



UNIVERSAL FILTER HOLDER KNOBS



Photo	LF Code	Connection	Suitable for
1	1241505	M10	ALL BRANDS - TUTTE LE MARCHE
1	1241504	M12	ALL BRANDS - TUTTE LE MARCHE
2	1241269	M10	ALL BRANDS - TUTTE LE MARCHE
2	1241169	M12	ALL BRANDS - TUTTE LE MARCHE
3	1241502	M10	ALL BRANDS - TUTTE LE MARCHE
3	1241501	M12	ALL BRANDS - TUTTE LE MARCHE

UNIVERSAL FILTER HOLDER KNOBS



Photo	LF Code	Connection	Suitable for
1	5051751	M10	ALL BRANDS - TUTTE LE MARCHE
1	5051102	M12	ALL BRANDS - TUTTE LE MARCHE
2	5054506	M10	ALL BRANDS - TUTTE LE MARCHE
2	5054505	M12	ALL BRANDS - TUTTE LE MARCHE

UNIVERSAL FILTER HOLDER KNOBS



Photo	LF Code	Connection	Suitable for
1	1141006	M10	ALL BRANDS - TUTTE LE MARCHE
1	1141007	M12	ALL BRANDS - TUTTE LE MARCHE
2	1141004	M10	ALL BRANDS - TUTTE LE MARCHE
2	1141003	M12	ALL BRANDS - TUTTE LE MARCHE



VARIOUS CAPPUCCINATORE



Photo	LF Code	Suitable for
1	1079016	BIANCHI - SAN MARCO
2	1079030	ASTORIA/CMA - MCE - ORCHESTRALE
3	1079023	ASTORIA/CMA - CARIMALI - NUOVA SIMONELLI - WEGA
4	1079009	SAECO
5	1079010	SAECO
6	5501292	PAVONI

VENT VALVES



Photo	LF Code	Technical notes	Suitable for
1	1523537	ø 1/4" M VITON	ALL BRANDS - TUTTE LE MARCHE
2	1523534	ø 1/4" M PTFE AND VITON	ALL BRANDS - TUTTE LE MARCHE
3	1523538	ø 1/4" M	ALL BRANDS - TUTTE LE MARCHE

VOLUMETRIC FLOWMETERS GICAR



Photo	LF Code	Model	Suitable for	For machine model
1	1455067	9.0.55.02G / ø 1/4" FF / ø 1.15 mm	ASTORIA/CMA 18126	ARGENTA - BRAVA - DIVINA - DORA - GLORIA - GLORIA R12
1	1455067	9.0.55.02G / ø 1/4" FF / ø 1.15 mm	BEZZERA 7431001	B2000 - B2006 - B2009 COMPACT - B2013 - B3000 - B4000
1	1455067	9.0.55.02G / ø 1/4" FF / ø 1.15 mm	BFC 5032012	CLASSICA - DELUX - GALILEO - GRANDOGE - IMOLA - JUNIOR
1	1455067	9.0.55.02G / ø 1/4" FF / ø 1.15 mm	BRUGNETTI-AURORA 95.01205	---
1	1455005	9.0.78.02G / ø 1/4" FF / ø 1.15 mm	CONTI 403466V	SK2
1	1455067	9.0.55.02G / ø 1/4" FF / ø 1.15 mm	EXPOBAR 60100045	ELEN - EXPRESSO - G10 - MARKUS - MARKUS SILVER
1	1455067	9.0.55.02G / ø 1/4" FF / ø 1.15 mm	FIorenzato CS A1500026	BRICOLETTA - DUCALE - FENICE - LIDO - VENEZIA
1	1455067	9.0.55.02G / ø 1/4" FF / ø 1.15 mm	FUTURMAT 08307500	ARIETE - F3 - RIMINI
1	1455060	9.0.93.02G / ø 1/4" FF / ø 1.15 mm	GAGGIA 11013052	DECO - GD - GE - XD - XE
1	1455067	9.0.55.02G / ø 1/4" FF / ø 1.15 mm	GRIMAC 1160900001-GR102	MIA - NEW CIALDA VAPOR - SELENITE DOUBLE - TWENTY
1	1455067	9.0.55.02G / ø 1/4" FF / ø 1.15 mm	MCE 18126	START
1	1455067	9.0.55.02G / ø 1/4" FF / ø 1.15 mm	NUOVA SIMONELLI 04900027	APPIA - APPIA COMPACT - AURELIA - AURELIAII - MACDIGIT



BRASILIA



Photo	LF Code	Model	Suitable for	For machine model
1	1455067	9.0.55.02G / ø 1/4"FF / ø 1.15 mm	ORCHESTRALE D18126	ETNICA - PHONICA
1	1455067	9.0.55.02G / ø 1/4"FF / ø 1.15 mm	RENEKA 9008954	LC - LIFE - PRESTIGE - VIVA
1	1455067	9.0.55.02G / ø 1/4"FF / ø 1.15 mm	ROYAL 5032012	DIADEMA - SYNCHRO
1	1455060	9.0.93.02G / ø 1/4"FF / ø 1.15 mm	SAECO 11013052	AROMA
1	1455067	9.0.55.02G / ø 1/4"FF / ø 1.15 mm	SAN MARCO 108192	NEW 105 - 100 - 105 - 85 - 95
1	1455067	9.0.55.02G / ø 1/4"FF / ø 1.15 mm	SANREMO 10112131A	MILANO LX
1	1455067	9.0.55.02G / ø 1/4"FF / ø 1.15 mm	SCALA C-0215	BUTTERFLY - CARMEN - EROICA
1	1455067	9.0.55.02G / ø 1/4"FF / ø 1.15 mm	VIBIEMME ELETCONTVOLOT	CHIMAERA - CUBO - DOMOBARSUPER - DOSAPLUS - EVOLUTION
1	1455067	9.0.55.02G / ø 1/4"FF / ø 1.15 mm	VICTORIA ARDUINO 04900027	ADONIS - VENUS CENTURY
1	1455067	9.0.55.02G / ø 1/4"FF / ø 1.15 mm	WEGA WY18126	ATLAS - ATLAS 10 - COLOSSEUM - COMBI NOVA - CONCEPT
2	1455068	9.0.55.50G / ø 1/8"FF / ø 1.15 mm	BRASILIA 16054.2.00.08	ROMA
2	1455068	9.0.55.50G / ø 1/8"FF / ø 1.15 mm	CIMBALI 534-391-020	M20 - M21 JUNIOR - M22 - M27 - M27 START - M28 - M29
2	1455068	9.0.55.50G / ø 1/8"FF / ø 1.15 mm	FAEMA 534391020	E98 COMPACT
2	1455068	9.0.55.50G / ø 1/8"FF / ø 1.15 mm	FIAMMA RST 5.0.000.1012	ATLANTIC - MARINA - PRESTIGE
2	1455068	9.0.55.50G / ø 1/8"FF / ø 1.15 mm	PAVONI 438020	---
2	1455068	9.0.55.50G / ø 1/8"FF / ø 1.15 mm	SANREMO 10112290	AMALFI - CAPRI - PISA - TORINO - VERONA - ZOE
3	1455026	9.0.54.05G / ø 1/4"FF / ø 1.15 mm	FRACINO FC92	BAMBINO
3	1455026	9.0.54.05G / ø 1/4"FF / ø 1.15 mm	MARZOCCO LAD070	FB70 - FB80 - GB5 - GS3 - LINEA - MISTRAL
3	1455352	9.0.78.00G / ø 1/4"FF / ø 1.15 mm	PROMAC 34070050	CLUB - COMPACT - GREEN
3	1455352	9.0.78.00G / ø 1/4"FF / ø 1.15 mm	RANCILIO 34070050	CLASSE10 - CLASSE9 - EPOCA
4	1455001	9.0.69.03G / ø 1/4"FF / ø 1.15 mm	SPAZIALE 02498	NEW - RAPID - S1 - S2 - S3 - S40 - S5 - S8

VOLUMETRIC FLOWMETERS GICAR ACCESSORIES



Photo	LF Code	Model	Notes
1	3455333	9.0.16.50G	LED
2	5052706	9.0.15.51G	NO LED
3	1455032	6.9.23.05G	---
4	1186631	---	---
5	1455033	8.6.17.14	---

WASHERS UNI ISO



LF Code	Dimensions	Suitable for	Notes
3528238	ø 9x4x0.8 mm UNI 6592	GAGGIA S401004	FOR BREW GROUPS - PER GRUPPI EROGAZIONE
3528238	ø 9x4x0.8 mm UNI 6592	GRIMAC GR356	G105 - G106
3528238	ø 9x4x0.8 mm UNI 6592	PAVONI 401004	EUROPICCOLA - PROFESSIONAL - ROMANTICA - STRADIVARI
1528117	ø 12x4x1 mm UNI 6593	GRIMAC 1300900128	SEVERAL APPLICATIONS - MOLTE APPLICAZIONI
1186192	ø 10x5x1 mm UNI 6592	SPAZIALE 00246	FOR BREW GROUPS - PER GRUPPI EROGAZIONE
1186315	ø 15x5x1.2 mm UNI 6593	CIMBALI 590-733-000	FOR LEVEL - PER LIVELLO
3528010	ø 12x6x1.6 mm UNI 6592	FAEMA 4054043102	FOR BREW GROUPS - PER GRUPPI EROGAZIONE



LF Code	Dimensions	Suitable for	Notes
3528010	∅ 12x6x1.6 mm UNI 6592	GRIMAC 1110400003-GR723	FOR BREW GROUPS - PER GRUPPI EROGAZIONE
3528010	∅ 12x6x1.6 mm UNI 6592	PAVONI 401061	FOR BREW GROUPS - PER GRUPPI EROGAZIONE
3528010	∅ 12x6x1.6 mm UNI 6592	SPAZIALE 01746	FOR BREW GROUPS - PER GRUPPI EROGAZIONE
1528008	∅ 16x8x1.6 mm UNI 6592	BRASILIA 01290.0.00.03	FOR BREW GROUPS - PER GRUPPI EROGAZIONE
1528008	∅ 16x8x1.6 mm UNI 6592	ELEKTRA 01816035	FOR BREW GROUPS - PER GRUPPI EROGAZIONE
1528008	∅ 16x8x1.6 mm UNI 6592	GAGGIA WGAUN6592-8Z	FOR BREW GROUPS - PER GRUPPI EROGAZIONE
1528008	∅ 16x8x1.6 mm UNI 6592	PAVONI 401065	FOR BREW GROUPS - PER GRUPPI EROGAZIONE
1528008	∅ 16x8x1.6 mm UNI 6592	SPAZIALE 00416	FOR BREW GROUPS - PER GRUPPI EROGAZIONE
1528008	∅ 16x8x1.6 mm UNI 6592	VIBIEMME VITERONGR8MA	FOR BREW GROUPS - PER GRUPPI EROGAZIONE
1528008	∅ 16x8x1.6 mm UNI 6592	RENEKA 9001335	FOR STEAM/WATER TAPS - PER RUBINETTI VAPORE/ACQUA
1528008	∅ 16x8x1.6 mm UNI 6592	VIBIEMME RACCROPIRU	FOR STEAM/WATER TAPS - PER RUBINETTI VAPORE/ACQUA
1528020	∅ 18x8x1.3 mm UNI 6593	PROMAC 32239044	FOR STEAM/WATER TAPS - PER RUBINETTI VAPORE/ACQUA
1528020	∅ 18x8x1.3 mm UNI 6593	RANCILIO 32239044	FOR STEAM/WATER TAPS - PER RUBINETTI VAPORE/ACQUA
1186504	∅ 20x10.6x2 mm UNI 6592	FAEMA 4041135933	FOR BREW GROUPS - PER GRUPPI EROGAZIONE
1186504	∅ 20x10.6x2 mm UNI 6592	PROMAC 39520008	FOR BREW GROUPS - PER GRUPPI EROGAZIONE
1186504	∅ 20x10.6x2 mm UNI 6592	RANCILIO 39520008	FOR BREW GROUPS - PER GRUPPI EROGAZIONE
3528211	∅ 28x15x2.5 mm UNI 6592	PAVONI 401075	FOR STEAM/WATER TAPS - PER RUBINETTI VAPORE/ACQUA

WASHERS VARIOUS



LF Code	Dimensions	Suitable for	Notes
1528054	∅ 12x5x1 mm	ASTORIA/CMA 23260014	FOR BREW GROUPS - PER GRUPPI EROGAZIONE
1528059	∅ 18x6.5x1.5 mm	BFC 0540030	FOR STEAM/WATER TAPS - PER RUBINETTI VAPORE/ACQUA
1186036	∅ 21.5x6.5x2 mm	BIANCHI 18004971	FOR STEAM/WATER TAPS - PER RUBINETTI VAPORE/ACQUA
1528059	∅ 18x6.5x1.5 mm	CARIMALI 93.00058	FOR STEAM/WATER TAPS - PER RUBINETTI VAPORE/ACQUA
1186299	∅ 22x16x1 mm	CASADIO 590715000	FOR STEAM/WATER TAPS - PER RUBINETTI VAPORE/ACQUA
1186299	∅ 22x16x1 mm	CIMBALI 590-715-000	FOR STEAM/WATER TAPS - PER RUBINETTI VAPORE/ACQUA
1186036	∅ 21.5x6.5x2 mm	EXPOBAR 25012521	FOR STEAM/WATER TAPS - PER RUBINETTI VAPORE/ACQUA
1186299	∅ 22x16x1 mm	FAEMA 590715000	FOR STEAM/WATER TAPS - PER RUBINETTI VAPORE/ACQUA
1186399	∅ 30x17x3 mm	GAGGIA WGAUN6592-17Z	FOR LEVEL - PER LIVELLO
1186299	∅ 22x16x1 mm	GRIMAC 1300900055-G207	FOR STEAM/WATER TAPS - PER RUBINETTI VAPORE/ACQUA
1528059	∅ 18x6.5x1.5 mm	MARZOCCO L165/9	FOR STEAM/WATER TAPS - PER RUBINETTI VAPORE/ACQUA
1186036	∅ 21.5x6.5x2 mm	MARZOCCO L165/9B	FOR STEAM/WATER TAPS - PER RUBINETTI VAPORE/ACQUA
1186399	∅ 30x17x3 mm	NUOVA SIMONELLI 00200011	FOR STEAM/WATER TAPS - PER RUBINETTI VAPORE/ACQUA
1186399	∅ 30x17x3 mm	SAECO WGAUN6592-17Z	FOR LEVEL - PER LIVELLO
1186142	∅ 23x15x0.5 mm	SAN MARCO 205584	FOR STEAM/WATER TAPS - PER RUBINETTI VAPORE/ACQUA
1528059	∅ 18x6.5x1.5 mm	SANREMO 10402040	FOR STEAM/WATER TAPS - PER RUBINETTI VAPORE/ACQUA
1186416	∅ 15x11x2 mm	SPAZIALE 00523	FOR STEAM/WATER TAPS - PER RUBINETTI VAPORE/ACQUA
1528141	∅ 22x6.5x5 mm	VIBIEMME RACCROBLMAEVO	FOR STEAM/WATER TAPS - PER RUBINETTI VAPORE/ACQUA
1528054	∅ 12x5x1 mm	WEGA WY23260014	FOR BREW GROUPS - PER GRUPPI EROGAZIONE



BRASILIA



WATER FILTERS



Photo	LF Code	Dimensions	Suitable for
1	1160017	∅ 8x1.5 mm	SPAZIALE 02284
1	1160511	∅ 9x1.5 mm	CIMBALI 481-361-000
1	1160023	∅ 11x2 mm	SAN MARCO 202232
1	1160068	∅ 18 mm	CASADIO 490055000 - CIMBALI 490-055-000
2	1160400	∅ 11 mm	ASTORIA/CMA 10254 - WEGA WY10254
3	1160501	∅ 14x10x12 mm	ASTORIA/CMA 10252 - BEZZERA 5471002
3	1160501	∅ 14x10x12 mm	BRASILIA 00086.0.00.04 - PAVONI 330051
4	1160021	∅ 18x20 mm	ELEKTRA 00111035
5	1160801	M8x1	RANCILIO 10705003
6	1160012	∅ 11 mm	RANCILIO 10706070

WATER FILTERS



Photo	LF Code	Dimensions	Suitable for
1	1160523	∅ 5.9 mm	CARIMALI 14.00795
1	1160311	∅ 7 mm	BIANCHI 43144416 - FUTURMAT 07362205
2	1160536	∅ 7 mm	SPAZIALE 00275
1	1160566	∅ 8 mm	ASTORIA/CMA 10251001 - WEGA WY10251001
1	1160566	∅ 8 mm	NUOVA SIMONELLI 98004001
1	1160011	∅ 9 mm	BRASILIA 09756.0.00.04 - CIMBALI 4771-116-081
1	1160516	∅ 11 mm	ASTORIA/CMA 10251002 - FUTURMAT 02435808
3	1160519	∅ 14 mm	PAVONI 326202
4	1160346	∅ 14 mm	CONTI 327154
5	1160087	∅ 15 mm	SANREMO 10052139A

WATER FILTERS



Photo	LF Code	Dimensions	Suitable for
1	1160507	∅ 8.5x15 mm	FUTURMAT 08298700
2	1160517	∅ 8.5x22 mm	GROUP E61
3	1160074	∅ 8.5x25 mm	CIMBALI 533-100-400
4	1160338	∅ 8x13 mm	CONTI 403458

WATER INLET TAPS BRASILIA



Photo	LF Code	Notes	Suitable for	For machine model
1	1348344	3/8	BRASILIA 00145.0.10.04	---
2	1523006	∅ 6.5/12 mm - H 16 mm	BRASILIA 18407.0.00.04	---
2	1523401	∅ 6.5/12 mm - H 20 mm	BRASILIA 05595.0.00.04	---
2	1523539	∅ 6.5/12 mm - H 16 mm	BRASILIA 00078.0.00.04	---
3	1528036	---	BRASILIA 02000.0.00.04	---
4	1186389	∅ 17/8.6 mm - inlet ∅ 6 mm - H9 mm	BRASILIA 18402.0.00.04	---
5	1349027	---	BRASILIA 18406.0.00.04	---



Suitable for:

BRASILIA



Suitable for:

Clamps

1168011 STAINLESS STEEL CLAMP FOR FLANGE PUMP




















BRASILIA 02223.0.00.03

The data herewith contained may change without notice and LF SpA cannot be held responsible for possible errors stated or resulting by the use of this document. All rights reserved. No part of this publication may be reproduced without written permission by LF SpA.



Distributing Components, Spare Parts & Accessories
in original quality worldwide

-
-  **LF SpA HEADQUARTERS**
via Voltri, 80 - 47522 Cesena (FC) ITALY
Tel. +39 0547 34 11 11 - Fax +39 0547 34 11 10
www.lfcomb724.it - www.lfcomb724.mobi - info@lfcomb.it
Export Dept.: Tel. +39 0547 34 11 50 - Fax: +39 0547 34 11 55
www.lfspareparts724.com - www.lfspareparts724.mobi
export@lfspareparts.com
 -  **OOO LF RUSSIAN FEDERATION**
Ul. Anatoliya Zhivova, 8 - office 1 - 123100 Moscow
Tel. +7 499 259 85 75
Fax +7 495 725 26 53
www.lfspareparts724.ru
www.lfspareparts724.mobi
info@lfspareparts.ru
 -  **EPGC Sas FRANCE**
13, Rue des Forts - 59960 Neuville en Ferrain
Tel. +33 (0)3 20 25 06 21
Fax +33 (0)3 20 25 34 12
www.epgc.com
www.epgc724.mobi
epgc@epgc.com
 -  **LF Repuestos Horeca S.L.U. SPAIN**
Calle Ciudad Real, 10 - 45517 Escalonilla - Toledo
Tel. +34 91 477 91 00
Fax +34 91 477 90 81
www.lfrepuestos-horeca724.es
www.lfrepuestos724.mobi
info@lfrepuestos.es
 -  **LF GmbH GERMANY**
Junkersstrasse, 1 - D-82178 Puchheim - München
Tel. +49 89 89 45 78 66
Fax +49 89 89 45 78 88
www.lfersatzteile724.de
www.lfersatzteile724.mobi
info@lfersatzteile.de
 -  **LF SpA Cesena (IT) Swiss Branch Steinhausen SWITZERLAND**
Sennweidstrasse, 45 - CH-6312 Steinhausen
Tel. +41 (0)41 760 15 80-1
Fax +41 (0)41 760 15 85
www.lfersatzteile724.ch
www.lfersatzteile724.mobi
info@lfersatzteile.ch
 -  **LF China REPUBLIC OF CHINA**
Room 403, No.2, Huadu Mansion, Lane 422, Huanghua Rd.
Minhang Dist. - 201103 Shanghai
Tel. +86 (0)21 33 53 66 31
Fax +86 (0)21 33 53 66 32
www.lfspareparts724.com
www.lfspareparts724.mobi
china@lfspareparts.com
 -  **LF Spare Parts Ltd. UNITED KINGDOM**
A10a Lakeside Business Park, Broadway Lane
South Cerney, Gloucestershire GL7 5XL
Tel. +44 (0)1285 86 16 25
Fax +44 (0)1285 86 39 49
www.lfspareparts724.co.uk
www.lfspareparts724.mobi
info@lfspareparts.co.uk
-
-  **AUSTRALIA AND NEW ZEALAND**
www.lfspareparts724.com
andrea.calvio@lfspareparts.com
 -  **DENMARK**
www.lfspareparts724.dk
michael.lenth@lfspareparts.com
 -  **AUSTRIA**
www.lfspareparts724.at
ludwig.neier@lfersatzteile.at
 -  **SOUTH KOREA**
www.lfspareparts724.com
fabio.doni@lfspareparts.com
 -  **BALKAN COUNTRIES**
www.lfspareparts724.com
matija.ramov@lfspareparts.com
 -  **TURKEY**
www.lfyedekparca724.com
basar.ergun@lfyedekparca.com
 -  **BALTIC COUNTRIES**
www.lfspareparts724.com
inara.silina@lfspareparts.com
 -  **USA AND CANADA**
www.lfspareparts724.us
sauro.dallaglio@lfspareparts.us
howard.truitt@lfspareparts.us
 -  **CENTRAL AND EASTERN EUROPE**
www.lfspareparts724.cz
jiri.kremla@lfspareparts.cz