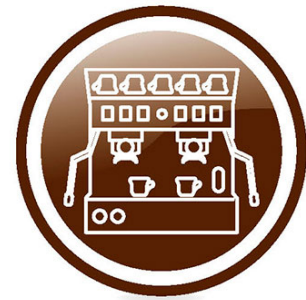




Spare parts for:

Espresso coffee machines



Suitable for:

DELONGHI



This catalogue is automatically generated.
Therefore, the sequence of the items might
not be always shown at best.

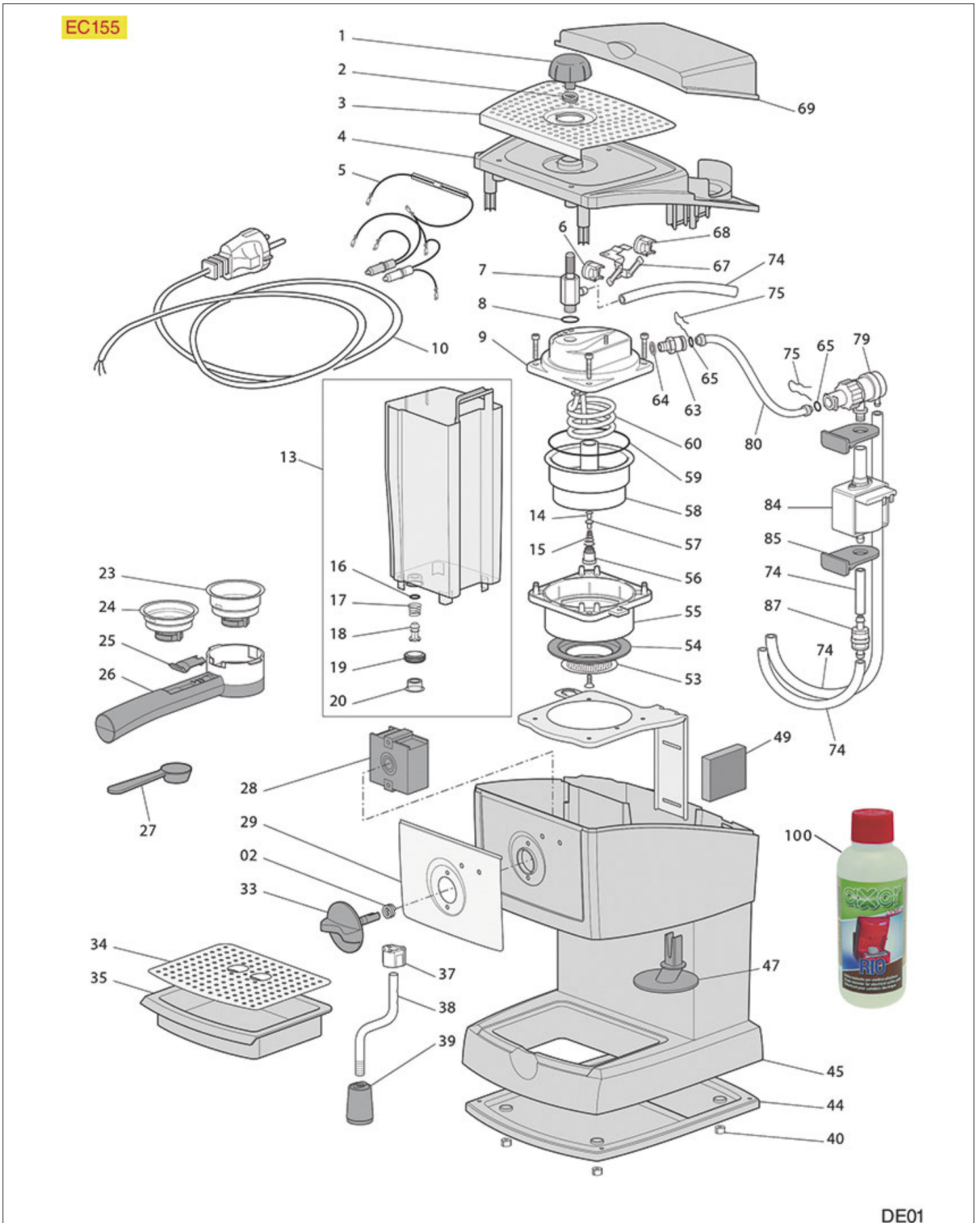
Updates will be issued in case of additions
and/or amendments.

*Suitable **universal spare parts** may not be included*





COFFEE MACHINE MOD. EC155





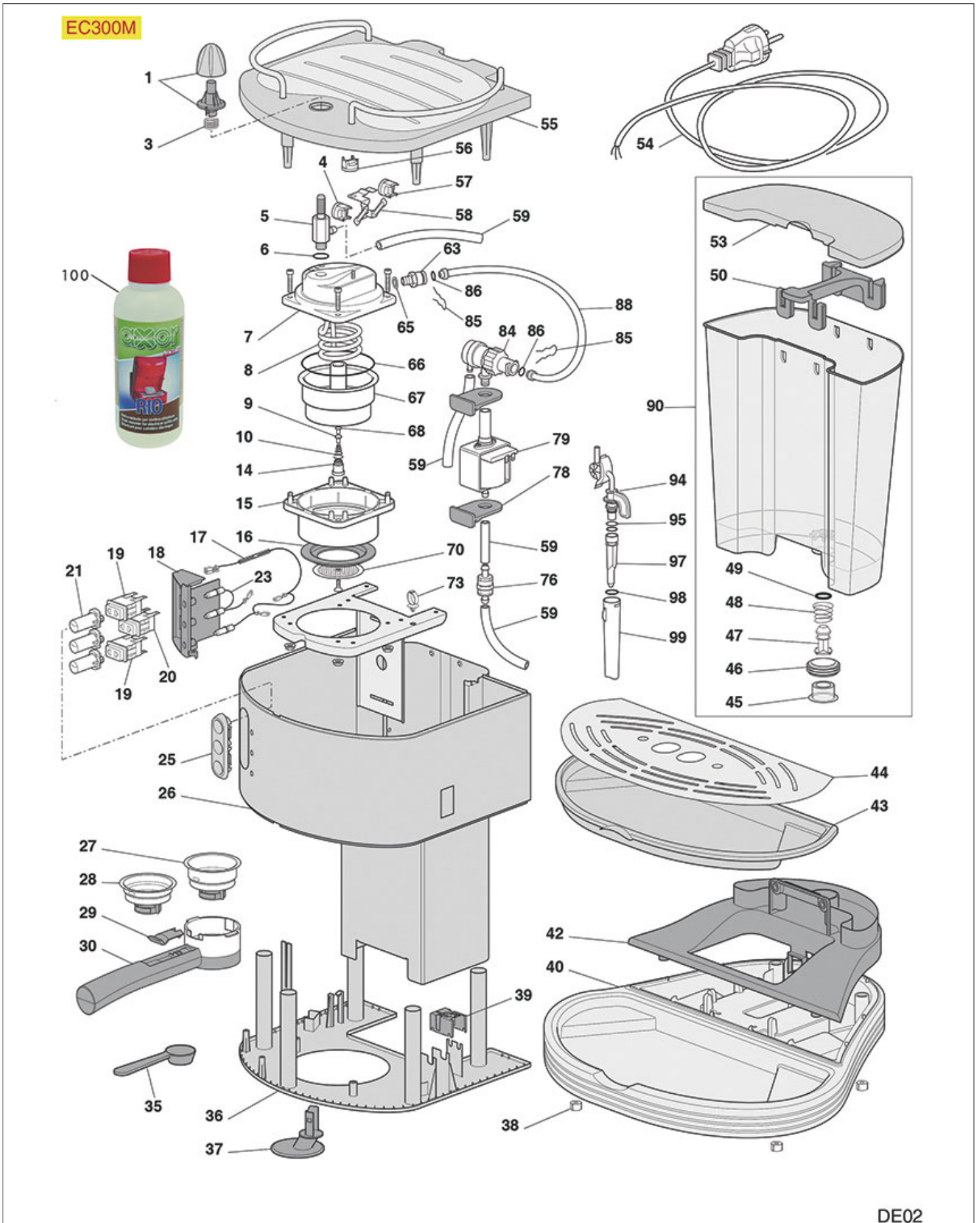
DELONGHI



Position	LF code no.	Description
1	1241181	STEAM TAP KNOB
6	1443075	CONTACT THERMOSTAT 105°C 16A 250V
7	1548009	STEAM TAP
8	1786049	RED SILICONE O-RING 0112
13	1080237	WATER CONTAINER
14	1786282	GASKET MUSHROOM-SHAPED SILICONE
15	1250346	CONICAL SPRING \varnothing 8.7/6x12.3 mm
16	1486016	ORM GASKET 0060-36 BLACK SILICONE
17	1250345	CONICAL SPRING \varnothing 12.5/10.5x16 mm
18	1525003	DELIVERY VALVE FOR WATER CONTAINER
19	1486014	SHAPED GASKET RUBBER \varnothing 24x17x10 mm
20	1080238	BUSHING FOR TANK
23	1160079	2 CUPS FILTER CREMADISK
24	1160078	1 CUP FILTER CREMADISK
25	1165120	FILTER LOCKING LEVER
26	1165121	COMPLETE FILTER HOLDER 2 CUPS DELONGHI
27	1069006	PLASTIC DOSER SPOON
28	1057036	SELECTOR SWITCH 0-3 POSITIONS 10A 250V
53	1081094	SHOWER SCREEN \varnothing 42.3 mm AISI430
54	1486011	BOILER GASKET \varnothing 74x36x11 mm
59	1786268	O-RING 04312 RED SILICONE
60	1755274	HEATING ELEMENT 1000W 225V
65	1786264	ORM GASKET 0038-20 BLACK SILICONE
68	1443068	CONTACT THERMOSTAT 125°C
74	1449223	SILICONE PIPE \varnothing 4x8 SHORE 70 - 270 mm
75	1250342	QUICK CONNECTION SPRING FOR PIPE \varnothing 4 mm
79	1331045	SAFETY VALVE FOR VIBRATORY PUMP
80	1449224	PTFE PIPE \varnothing 2x4 mm - 230 mm
84	1122737	VIBRATORY PUMP EP5 48W 230V 50Hz
85	1331042	ELBOW VIBRATION ISOLATOR
87	1160001	INLET PASS-THROUGH FILER
100	3092250	SCALE REMOVER AXOR RIO 250 ml



COFFEE MACHINE MOD. EC300M





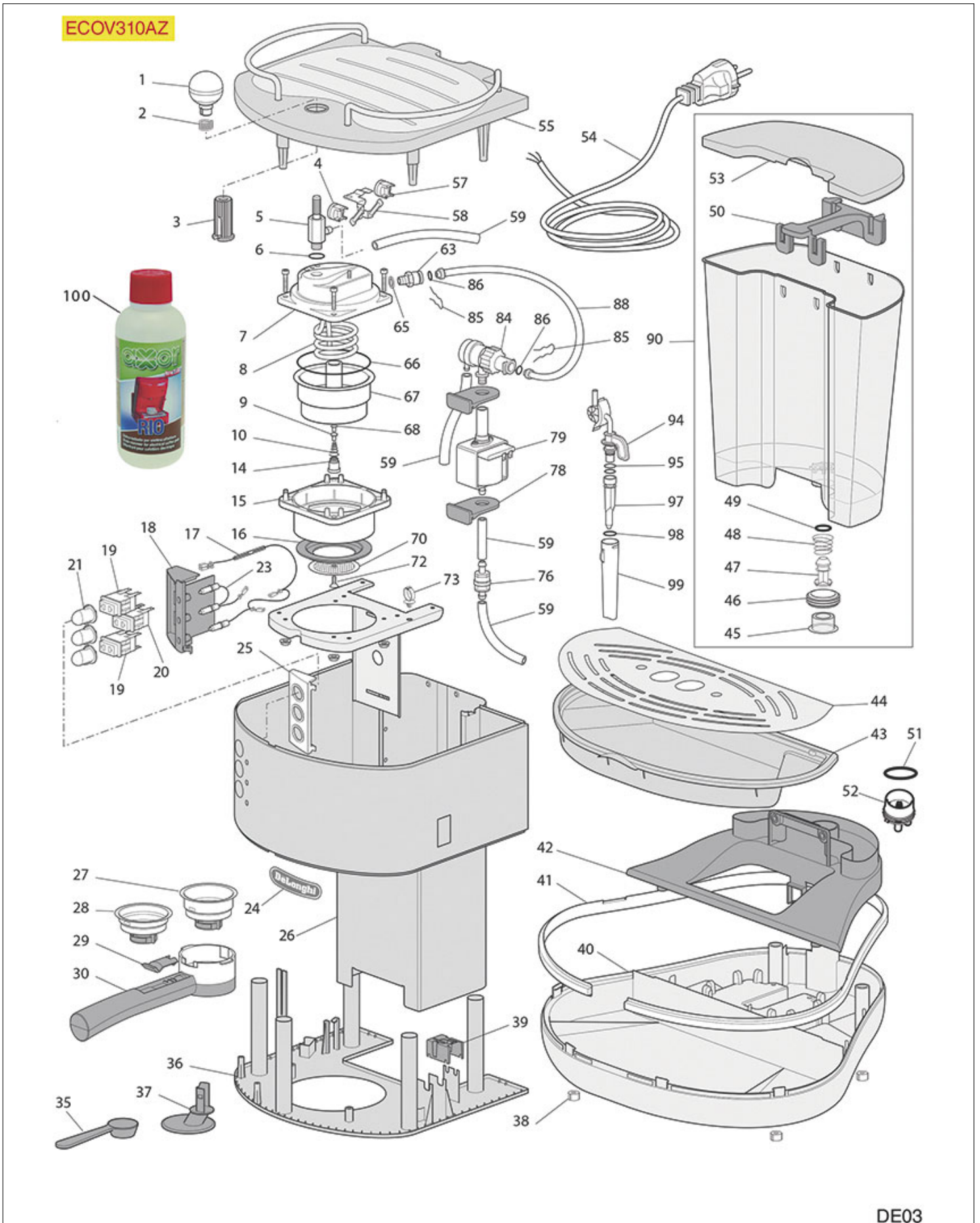
DELONGHI



Position	LF code no.	Description
4	1443075	CONTACT THERMOSTAT 105°C 16A 250V
5	1548009	STEAM TAP
6	1786049	RED SILICONE O-RING 0112
8	1755274	HEATING ELEMENT 1000W 225V
10	1250346	CONICAL SPRING \varnothing 8.7/6x12.3 mm
16	1486011	BOILER GASKET \varnothing 74x36x11 mm
19	1319599	BLACK BIPOLAR SWITCH 16A 250V
20	1319597	MONOPOLAR SWITCH 16A 250V
21	1319603	SWITCH BUTTON
27	1160079	2 CUPS FILTER CREMADISK
28	1160078	1 CUP FILTER CREMADISK
29	1165120	FILTER LOCKING LEVER
30	1165121	COMPLETE FILTER HOLDER 2 CUPS DELONGHI
35	1069006	PLASTIC DOSER SPOON
45	1080238	BUSHING FOR TANK
46	1486014	SHAPED GASKET RUBBER \varnothing 24x17x10 mm
47	1525003	DELIVERY VALVE FOR WATER CONTAINER
48	1250345	CONICAL SPRING \varnothing 12.5/10.5x16 mm
49	1786266	O-RING 0202 RED SILICONE
56	1443068	CONTACT THERMOSTAT 125°C
57	1443068	CONTACT THERMOSTAT 125°C
59	1449223	SILICONE PIPE \varnothing 4x8 SHORE 70 - 270 mm
66	1786268	O-RING 04312 RED SILICONE
68	1786282	GASKET MUSHROOM-SHAPED SILICONE
70	1081094	SHOWER SCREEN \varnothing 42.3 mm AISI430
76	1160001	INLET PASS-THROUGH FILER
78	1331042	ELBOW VIBRATION ISOLATOR
79	1122737	VIBRATORY PUMP EP5 48W 230V 50Hz
84	1331045	SAFETY VALVE FOR VIBRATORY PUMP
85	1250342	QUICK CONNECTION SPRING FOR PIPE \varnothing 4 mm
86	1786264	ORM GASKET 0038-20 BLACK SILICONE
90	1080239	WATER TANK
95	1186717	O-RING 02031 VITON
97	1549033	STEAM SPRINKLER
98	1186864	O-RING 0106 RED SILICONE
99	1549032	BURN PREVENTING RUBBERPIECE
100	3092250	SCALE REMOVER AXOR RIO 250 ml



COFFEE MACHINE MOD. ECOV310AZ





DELONGHI

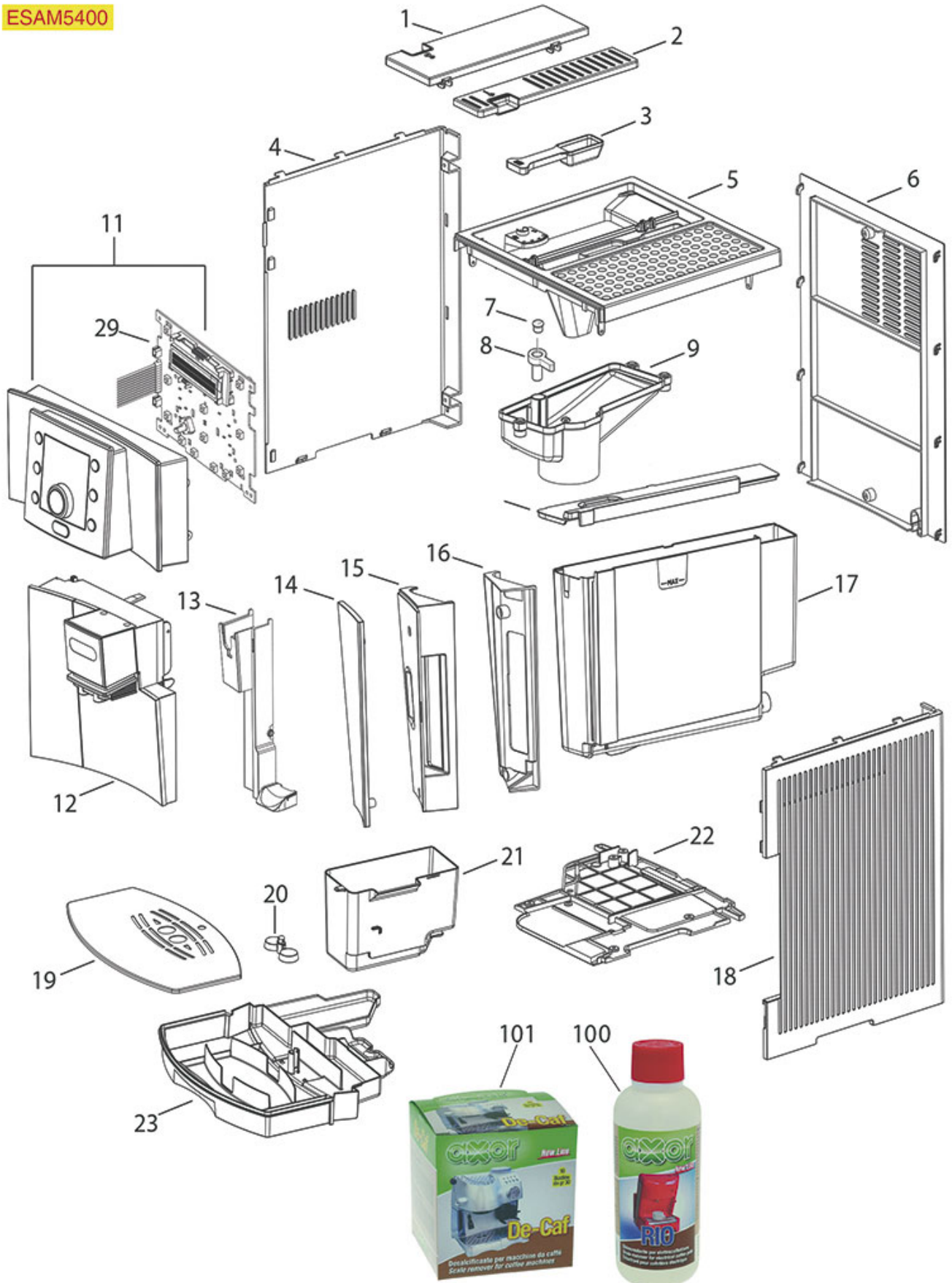


Position	LF code no.	Description
4	1443075	CONTACT THERMOSTAT 105°C 16A 250V
6	1786049	RED SILICONE O-RING 0112
8	1755274	HEATING ELEMENT 1000W 225V
10	1250346	CONICAL SPRING \varnothing 8.7/6x12.3 mm
16	1486011	BOILER GASKET \varnothing 74x36x11 mm
19	1319599	BLACK BIPOLAR SWITCH 16A 250V
20	1319597	MONOPOLAR SWITCH 16A 250V
21	1319596	SWITCH BUTTON
27	1160079	2 CUPS FILTER CREMADISK
28	1160078	1 CUP FILTER CREMADISK
29	1165122	BLOCK LEVER FOR FILTER
30	1165121	COMPLETE FILTER HOLDER 2 CUPS DELONGHI
35	1069006	PLASTIC DOSER SPOON
45	1080238	BUSHING FOR TANK
46	1486014	SHAPED GASKET RUBBER \varnothing 24x17x10 mm
47	1525003	DELIVERY VALVE FOR WATER CONTAINER
48	1250345	CONICAL SPRING \varnothing 12.5/10.5x16 mm
49	1786266	O-RING 0202 RED SILICONE
51	1786269	ORM GASKET 0248-18 BLACK SILICONE
57	1443068	CONTACT THERMOSTAT 125°C
59	1449223	SILICONE PIPE \varnothing 4x8 SHORE 70 - 270 mm
66	1786268	O-RING 04312 RED SILICONE
68	1786282	GASKET MUSHROOM-SHAPED SILICONE
70	1081094	SHOWER SCREEN \varnothing 42.3 mm AISI430
72	1528623	COUNTERSUNK FLAT HEAD SCREWS M4x6
76	1160001	INLET PASS-THROUGH FILER
78	1331042	ELBOW VIBRATION ISOLATOR
79	1122737	VIBRATORY PUMP EP5 48W 230V 50Hz
84	1331045	SAFETY VALVE FOR VIBRATORY PUMP
85	1250342	QUICK CONNECTION SPRING FOR PIPE \varnothing 4 mm
86	1786264	ORM GASKET 0038-20 BLACK SILICONE
90	1080236	WATER CONTAINER
95	1186717	O-RING 02031 VITON
97	1549033	STEAM SPRINKLER
98	1186864	O-RING 0106 RED SILICONE
99	1549032	BURN PREVENTING RUBBERPIECE
100	3092250	SCALE REMOVER AXOR RIO 250 ml



COFFEE MACHINE MOD. ESAM5400 - 1

ESAM5400





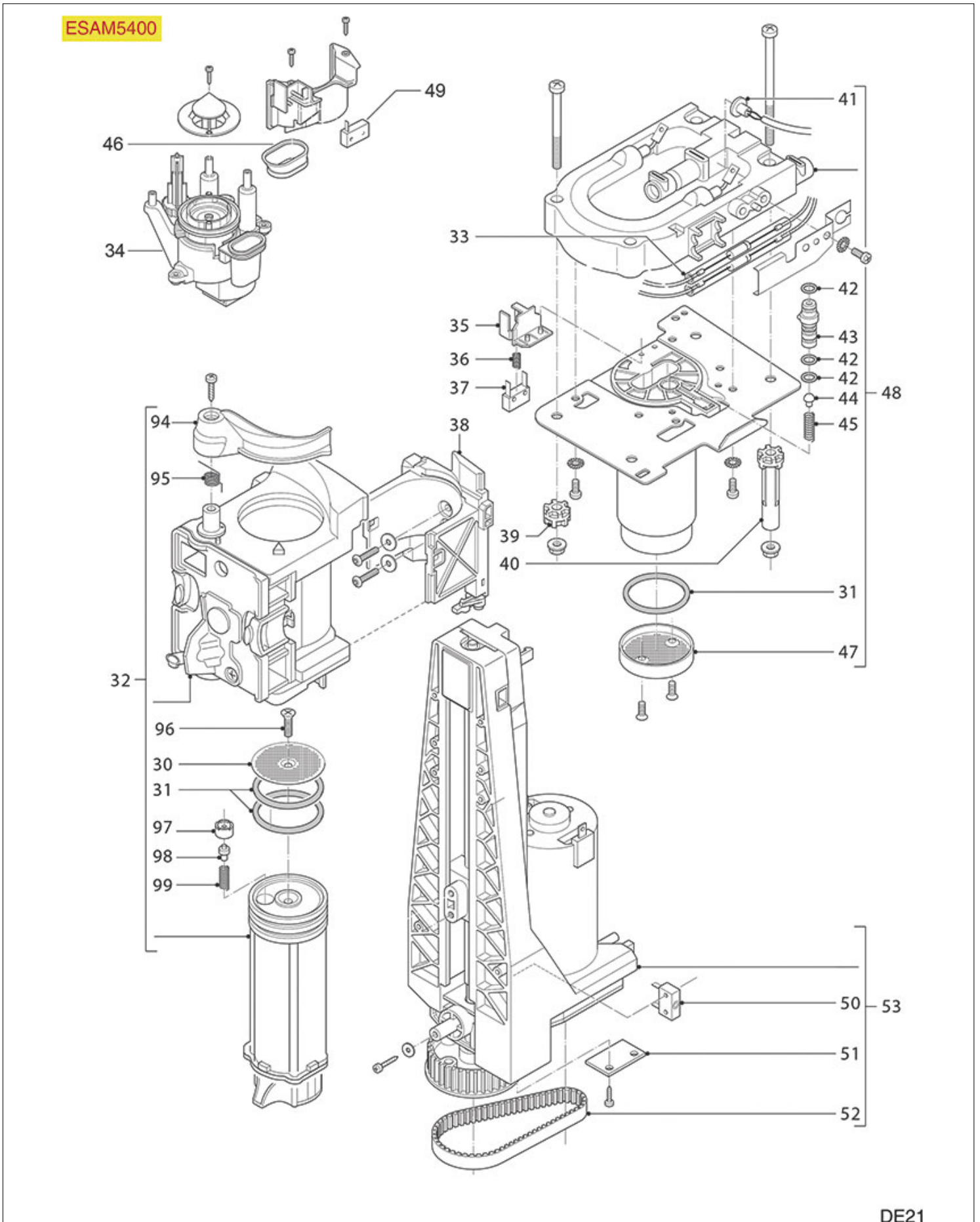
DELONGHI



Position	LF code no.	Description
23	1015051	BLACK DRIP TRAY
100	3092250	SCALE REMOVER AXOR RIO 250 ml
101	3092251	SCALE REMOVER AXOR DE-CAF 10 BAGS



COFFEE MACHINE MOD. ESAM5400 - 2





DELONGHI

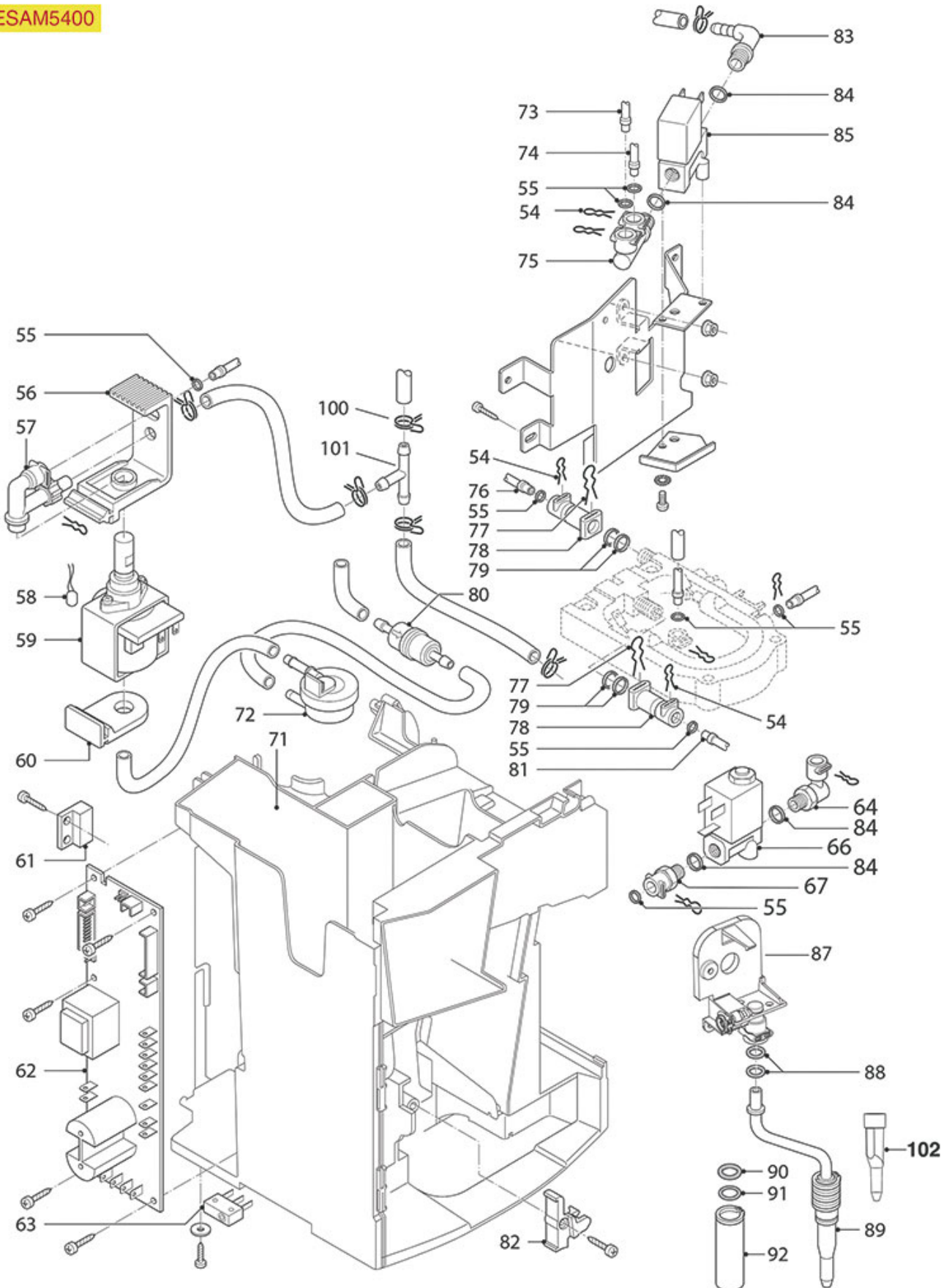


Position	LF code no.	Description
30	1081093	SHOWER SCREEN \varnothing 40 mm
31	1486015	ORM GASKET 0350-41 RED SILICONE
32	1192161	COFFEE GROUP
41	1397057	NTC PROBE
42	1486013	O-RING 02025 BLACK SILICONE
43	1192165	DELIVERY VALVE SUPPORT
44	1786282	GASKET MUSHROOM-SHAPED SILICONE
45	1250340	CONICAL SPRING \varnothing 7.5/5x25 mm
47	1081092	SHOWER SCREEN \varnothing 43 mm
48	1048072	BOILER 600W 230V
52	5067826	BELT TOOTHED 225RPP3 HEIGHT 9 mm
53	1240377	MOTOR 230V GROUP MOVEMENT
54	1250342	QUICK CONNECTION SPRING FOR PIPE \varnothing 4 mm
55	1786264	ORM GASKET 0038-20 BLACK SILICONE
57	1331044	SAFETY VALVE FOR VIBRATORY PUMP
58	1331046	THERMAL PROTECTOR 120°C
59	1122737	VIBRATORY PUMP EP5 48W 230V 50Hz
60	1331042	ELBOW VIBRATION ISOLATOR
97	1192164	CREAM FROTHER VALVE CAP
98	1192162	CREAM FROTHER VALVE
99	1250347	CONICAL SPRING \varnothing 7/4.3x11.4 mm



COFFEE MACHINE MOD. ESAM5400 - 3

ESAM5400





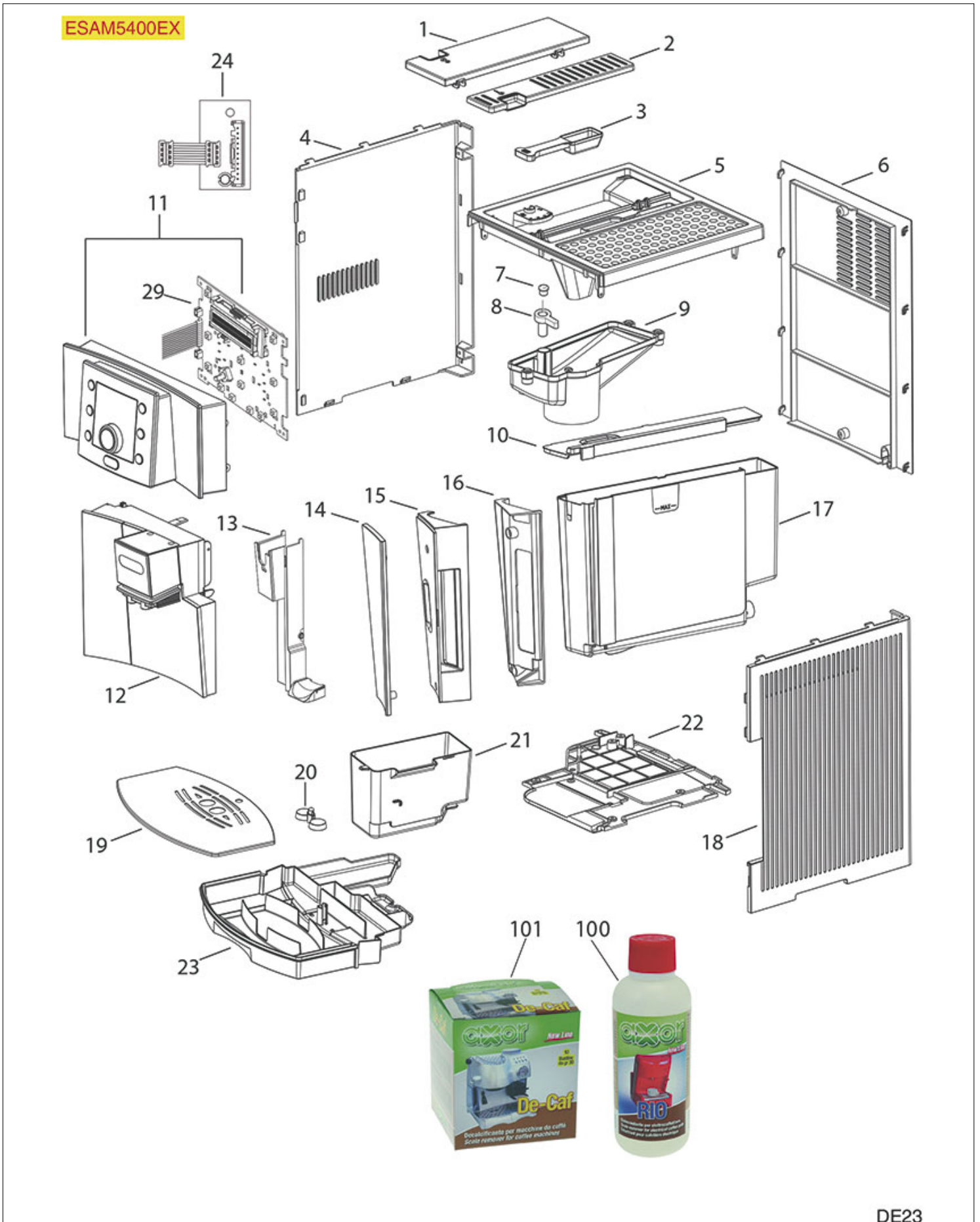
DELONGHI



Position	LF code no.	Description
54	1250342	QUICK CONNECTION SPRING FOR PIPE \varnothing 4 mm
55	1786264	ORM GASKET 0038-20 BLACK SILICONE
57	1331044	SAFETY VALVE FOR VIBRATORY PUMP
58	1331046	THERMAL PROTECTOR 120°C
59	1122737	VIBRATORY PUMP EP5 48W 230V 50Hz
60	1331042	ELBOW VIBRATION ISOLATOR
66	1120254	SOLENOID VALVE CEME 2 WAYS 230V
67	5055960	CLIP COUPLING \varnothing 1/8"M
72	1455063	VOLUMETRIC FLOWMETER 974-9541-A NSF
75	5056239	CLIP COUPLING \varnothing 1/8"M
77	1250343	QUICK CONNECTION SPRING FOR COMPONENTS
78	5059578	CLIP COUPLING
80	1160001	INLET PASS-THROUGH FILER
84	1186864	O-RING 0106 RED SILICONE
85	1120254	SOLENOID VALVE CEME 2 WAYS 230V
88	1186867	ORM GASKET 0060-20 RED SILICONE
90	1186864	O-RING 0106 RED SILICONE
91	1186717	O-RING 02031 VITON
100	3449402	DOUBLE-WIRE CLAMP 7.8-8.3 - 100 PCS
101	1315015	"T" SHAPED FILTER HOLDER \varnothing 5 mm



COFFEE MACHINE MOD. ESAM5400EX - 1





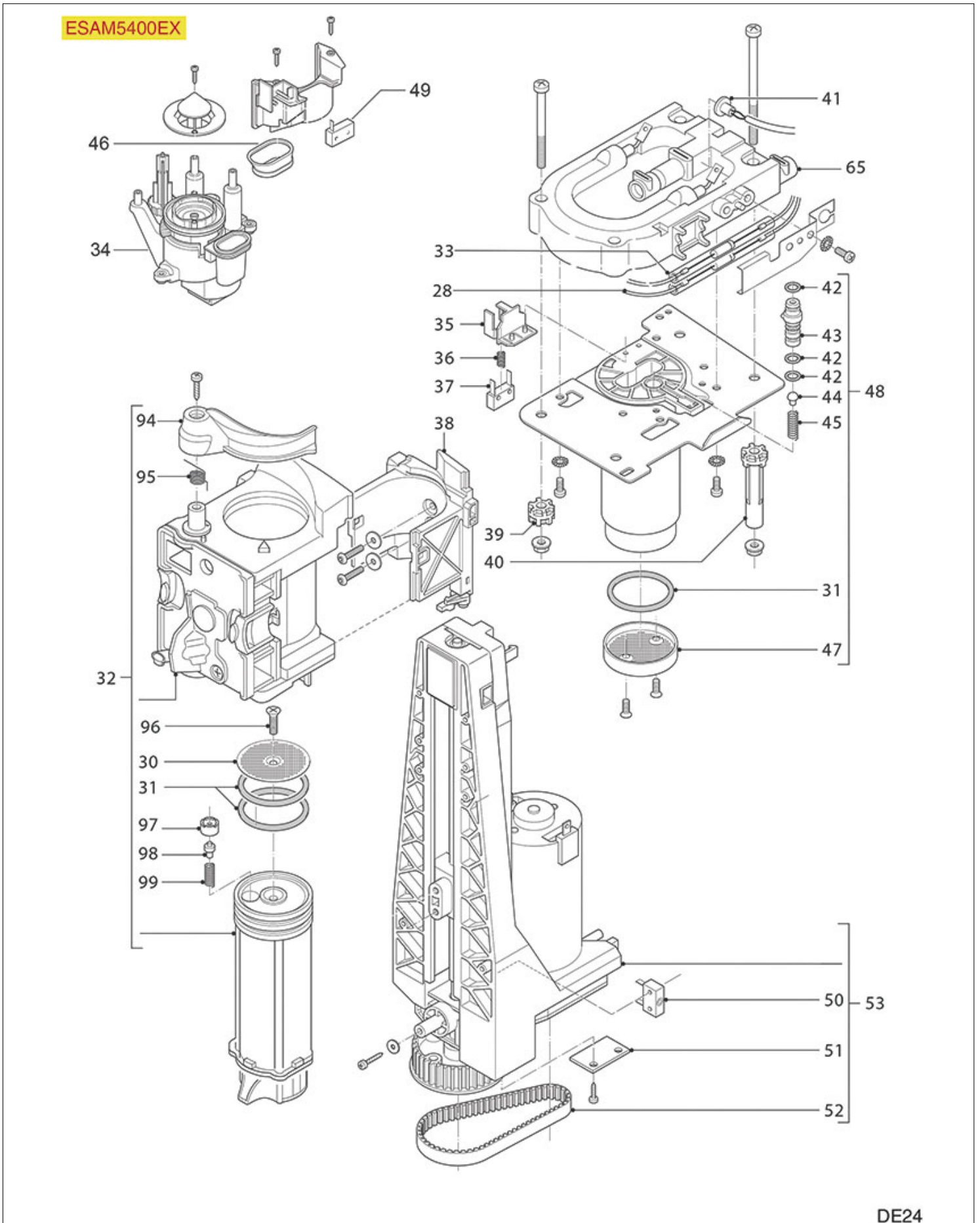
DELONGHI



Position	LF code no.	Description
23	1015051	BLACK DRIP TRAY
100	3092250	SCALE REMOVER AXOR RIO 250 ml
101	3092251	SCALE REMOVER AXOR DE-CAF 10 BAGS



COFFEE MACHINE MOD. ESAM5400EX - 2





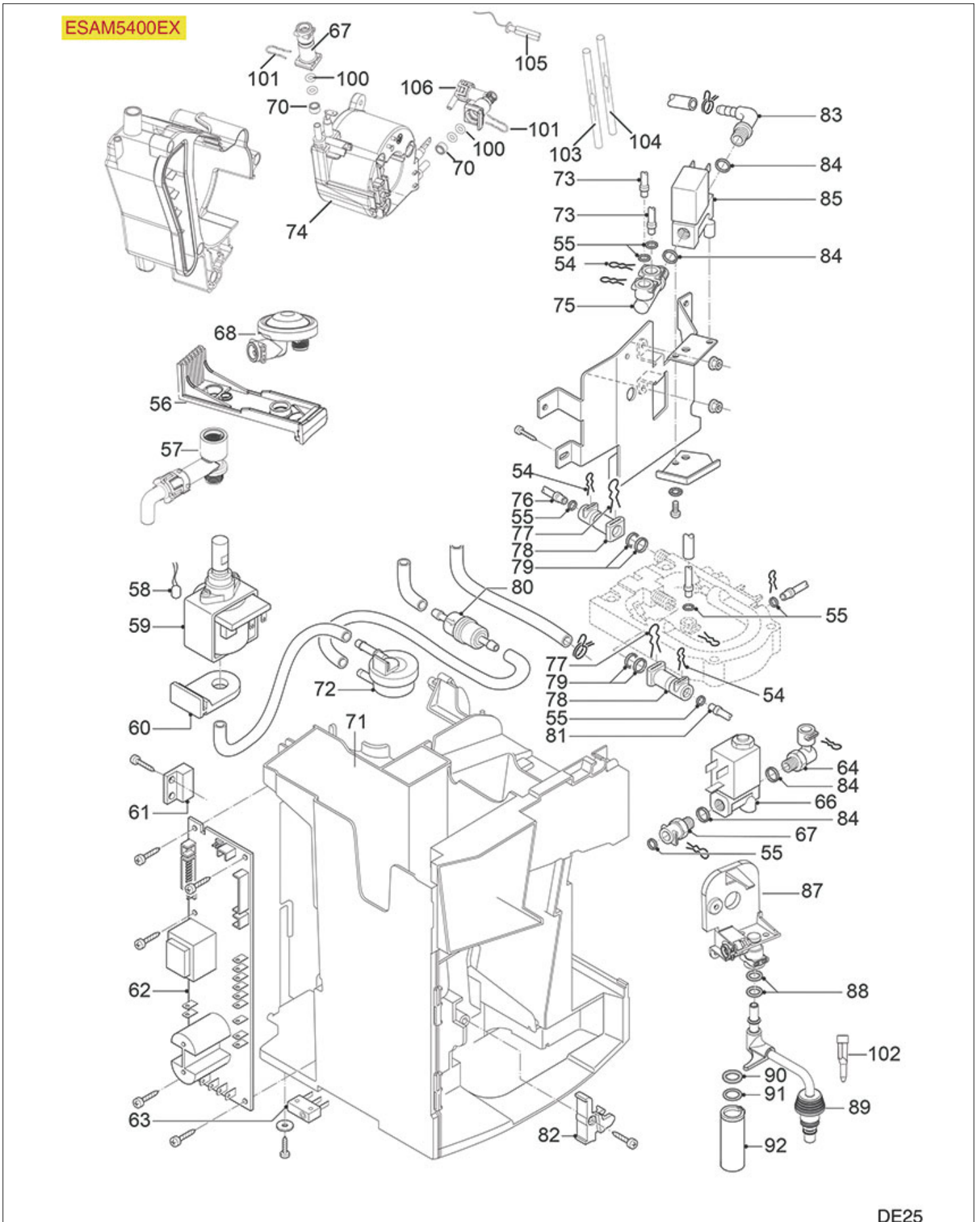
DELONGHI



Position	LF code no.	Description
30	1081093	SHOWER SCREEN \varnothing 40 mm
31	1486015	ORM GASKET 0350-41 RED SILICONE
41	1397058	NTC PROBE
42	1486013	O-RING 02025 BLACK SILICONE
43	1192165	DELIVERY VALVE SUPPORT
44	1786282	GASKET MUSHROOM-SHAPED SILICONE
45	1250340	CONICAL SPRING \varnothing 7.5/5x25 mm
47	1081092	SHOWER SCREEN \varnothing 43 mm
52	5067826	BELT TOOTHED 225RPP3 HEIGHT 9 mm
65	5057788	BOILER 600W 230V
97	1192164	CREAM FROTHER VALVE CAP
98	1192162	CREAM FROTHER VALVE
99	1250339	CONICAL SPRING \varnothing 7/5x13 mm



COFFEE MACHINE MOD. ESAM5400EX - 3





DELONGHI



Position	LF code no.	Description
54	1250342	QUICK CONNECTION SPRING FOR PIPE \varnothing 4 mm
55	1786264	ORM GASKET 0038-20 BLACK SILICONE
58	1331047	THERMAL PROTECTOR 120°C
59	1122737	VIBRATORY PUMP EP5 48W 230V 50Hz
60	1331042	ELBOW VIBRATION ISOLATOR
66	1120254	SOLENOID VALVE CEME 2 WAYS 230V
67	5055960	CLIP COUPLING \varnothing 1/8" M
68	5060354	VIBRATION PUMP SAFETY VALVE
72	1455063	VOLUMETRIC FLOWMETER 974-9541-A NSF
74	1048071	BOILER 1400W 230V
75	5056239	CLIP COUPLING \varnothing 1/8" M
77	1250344	QUICK CONNECTION SPRING FOR COMPONENTS
78	5059578	CLIP COUPLING
80	1160001	INLET PASS-THROUGH FILER
84	1186901	O-RING 02031 - RED SILICON
85	1120254	SOLENOID VALVE CEME 2 WAYS 230V
88	1186867	ORM GASKET 0060-20 RED SILICONE
90	1186864	O-RING 0106 RED SILICONE
91	1186717	O-RING 02031 VITON
100	1786265	ORM GASKET 0045-20 BLACK SILICONE
101	1250344	QUICK CONNECTION SPRING FOR COMPONENTS
105	1397058	NTC PROBE



ASBESTOS FREE FLAT GASKETS



LF Code	Dimensions	Notes
1186042	∅ 9x5x1 mm	---
3186341	∅ 9x6x1 mm	---
3786349	∅ 14x9x2 mm	---
1186041	∅ 14.5x10x2 mm	---
1186148	∅ 15x7x2 mm	---
3186172	∅ 15x9x2 mm	---
1186112	∅ 15x10x1 mm	---



LF Code	Dimensions	Notes
1186437	∅ 16x12x2 mm	---
1186039	∅ 17x13x2 mm	---
1186784	∅ 17.5x13x2 mm	---
3786543	∅ 18x12x1 mm	---
3786562	∅ 18x12x2 mm	---
3786350	∅ 18x12x2 mm	---
3186237	∅ 19x11x2 mm	---
1186394	∅ 22x17x2 mm	---
1186149	∅ 22x18x2 mm	---
1186368	∅ 23.5x20x1 mm	---
3786351	∅ 24x16x2 mm	---
3186575	∅ 25x12x2 mm	---
1186340	∅ 26x20x2 mm	---
1186183	∅ 29x16.5x2 mm	---
1186136	∅ 29x22x2 mm	---
3186138	∅ 30x21x2 mm	---
1186124	∅ 30x24x2 mm	---
3186005	∅ 32x26x3 mm	---
1186141	∅ 34x26.5x2 mm	---
1186757	∅ 36x30x2 mm	---
3186009	∅ 45x33x2 mm	---
1186125	∅ 50x38x4 mm	---
1186156	∅ 50x40x2 mm	FOR HEATING ELEMENTS BOOSTED - PER RESISTENZE BOOSTED
1786227	∅ 54x40x1.5 mm	---
3186010	∅ 54x42x2 mm	FOR HEATING ELEMENTS ∅ 1"1/4 - PER RESISTENZE ∅ 1"1/4
3786374	∅ 57x45x1.5 mm	---
3186242	∅ 61x46x2 mm	---
1186636	∅ 62x51x2 mm	FOR HEATING ELEMENTS - PER RESISTENZE
3186012	∅ 80x60x2 mm	---
3786471	∅ 90x77x2 mm	---

BALL VALVES



Photo	LF Code	Connections	Suitable for	For machine model
1	3526706	∅ 1/8"FF	UNIVERSAL	---
1	3526698	∅ 1/4"FF	BEZZERA 7451501	BZ35 - BZ40 - B2000 - B2013 - B3000 - B4000 - B6000
1	3526698	∅ 1/4"FF	SPAZIALE 08103	S5 COMPACT - S8 COMPACT - S9 COMPACT
1	3526702	∅ 3/8"FF	UNIVERSAL	---
1	3526703	∅ 1/2"FF	UNIVERSAL	---
1	3526707	∅ 3/4"FF	UNIVERSAL	---
2	3526697	∅ 1/8"MF	SAN MARCO 202241	NEW 105 - 100 - 105 - 85 - 95
2	3526699	∅ 1/4"MF	MANY BRANDS - MOLTI MARCHI	SEVERAL APPLICATIONS - MOLTE APPLICAZIONI
2	3526244	∅ 1/4"M-1/8"F	SAN MARCO 202244	95 - 105
2	3526704	∅ 3/8"MF	MARZOCCO L164	FB70 - FB80 - GB5 - GS3 - LINEA - MISTRAL
2	3526704	∅ 3/8"MF	NUOVA SIMONELLI 09000016	APPIA - AURELIA - PREMIER
2	3526704	∅ 3/8"MF	VICTORIA ARDUINO 09000016	ADONIS - ATHENA - ATHENA LEVA
2	3526705	∅ 1/2"MF	UNIVERSAL	---
3	1525002	∅ 1/4"M-1/4"F	ASTORIA/CMA 20227003	PLUS4YOU
3	1525002	∅ 1/4"M-1/4"F	WEGA WY20227003	CONCEPT



BOILERS FOR SMALL COFFEE MACHINES

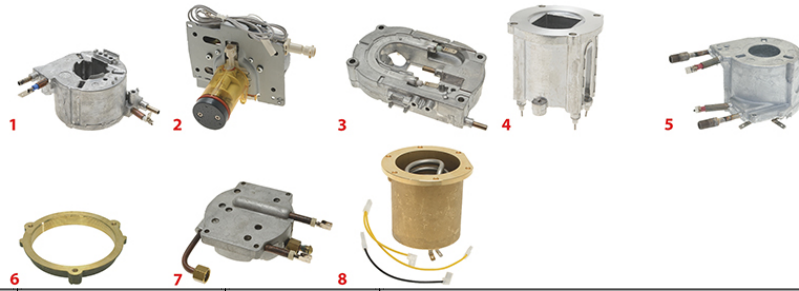


Photo	LF Code	Watt - Volt	Suitable for	For machine model
1	1048071	1400W 230V	DELONGHI	ECAM23.210.W - ECAM26.455.C - ESAM5400EX
2	1048072	600W 230V	DELONGHI	ESAM5400
3	5057788	600W 230V	DELONGHI	ESAM5400EX
4	5038339	570/680W 110/120V	GAGGIA	BABY - CAREZZA - CLASSIC - EVOLUTION - NEWBABY
5	5025969	1100/437W 230V	GAGGIA	SYNCRONYCOMPACT - TITANIUMSILVER
6	5008254	---	PAVONI	EUROPICCOLA - PROFESSIONAL - ROMANTICA - STRADIVARI
7	1048073	---	QUICK MILL	03035 PEGASO - 0820 - 0835
8	5031156	1100W 230V	RANCILIO	SILVIA - NANCY - AUNDREY

CAPPUCCINATORE MINI



Photo	LF Code	Suitable for
1	1079001	BRASILIA - GRIMAC - SAECO
2	1079008	GRIMAC - PAVONI - RDL - SAECO - SPINEL
3	1079018	BFC - BRASILIA - GRIMAC - SAECO
4	5500786	BRASILIA - GRIMAC - SAECO
5	1079015	GRIMAC - PAVONI - RDL - SAECO - SPINEL

CAPPUCCINATORE STANDARD



Photo	LF Code	Suitable for
1	1079022	ASTORIA/CMA - CARIMALI - NUOVA SIMONELLI - WEGA
2	1079002	BRASILIA - BRUGNETTI - CARIMALI - NUOVA SIMONELLI
3	1079006	UNIVERSAL

COFFEE FILTERS DELONGHI



Photo	LF Code	Model	Suitable for	Notes
1	1160078	1 CUP - CREMADISK	DE'LONGHI 7332173700	---
2	1160079	2 CUPS - CREMADISK	DE'LONGHI 7332173800	---

COFFEE GROUPS AND SPARE PARTS DELONGHI



Photo	LF Code	Suitable for	For machine model
1	1192161	DE'LONGHI 7332183900	ESAM5400
2	1192163	DE'LONGHI 7313232331	ECAM23.210.W - ECAM26.455.C
3	1192165	DE'LONGHI 5332213000	ESAM5400 - ESAM5400EX
4	1192164	DE'LONGHI 5332139600	ECAM23.210.W - ECAM26.455.C - ESAM5400 - ESAM5400EX
5	1192162	DE'LONGHI 5332139500	ECAM23.210.W - ECAM26.455.C - ESAM5400 - ESAM5400EX

CONTACT THERMOSTATS DELONGHI



Photo	LF Code	Temperature °C	Suitable for	For machine model
1	1443075	105	DE'LONGHI 5232100600	ECOV310AZ - EC155 - EC300M
2	1443068	125	DE'LONGHI 5232101300	ECOV310AZ - EC155 - EC300M
3	1443069	318	DE'LONGHI 5213213711	ECAM26.455.C



DETERGENTS DELONGHI



Photo	LF Code	Description	Notes
1	3092258	SCALE REMOVER ECODECALK	500 ml
2	3092257	SCALE REMOVER DESCALER	2x100 ml
3	3092259	DETERGENT MILK CLEAN	250 ml

DRIP TRAYS DELONGHI



Photo	LF Code	Colour	Suitable for	For machine model
1	1015050	WHITE - BIANCA	DELONGHI 5313215121	ECAM23.210.W
2	1015049	SILVER - ARGENTO	DELONGHI 5313226961	ECAM26.455.C
3	1015051	BLACK - NERA	DELONGHI 5332283900	ESAM5400 - ESAM5400EX

EPDM FLAT GASKETS



LF Code	Dimensions	Suitable for	Notes
1186427	∅ 10x4x2 mm	RANCILIO	FOR BREW GROUPS - PER GRUPPI EROGAZIONE
1186758	∅ 10x4.5x4 mm	MARCFI-ANCAS	FOR INLET TAPS - PER RUBINETTI CARICO
1186342	∅ 11x3x4 mm	CIMBALI - FAEMA	FOR STEAM/WATER TAPS - PER RUBINETTI VAPORE/ACQUA
1186454	∅ 11x3.6x2 mm	PROMAC - RANCILIO	FOR INLET TAPS - PER RUBINETTI CARICO
1186423	∅ 11x4x4 mm	BRASILIA	FOR INLET TAPS - PER RUBINETTI CARICO
1186703	∅ 11x7x7 mm	CIMBALI	FOR BREW GROUPS M15- PER GRUPPI EROGAZIONE M15
1186083	∅ 12x3x4 mm	RENEKA	FOR STEAM/WATER TAPS - PER RUBINETTI VAPORE/ACQUA
1786263	∅ 12.5x8x9 mm	ASTORIA/CMA - WEGA	FOR STEAM/WATER TAPS - PER RUBINETTI VAPORE/ACQUA
1186588	∅ 13x3x4 mm	AZKOYEN	FOR STEAM/WATER TAPS - PER RUBINETTI VAPORE/ACQUA
1186161	∅ 13x4x4 mm	BRASILIA - CONTI - RENEKA	FOR STEAM/WATER TAPS - PER RUBINETTI VAPORE/ACQUA
1186935	∅ 13x4x4 mm	ELEKTRA	FOR STEAM/WATER TAPS - PER RUBINETTI VAPORE/ACQUA
1186935	∅ 13x4x4 mm	GRIMAC	FOR BREW GROUPS - PER GRUPPI EROGAZIONE
1186150	∅ 13x7.4x7 mm	SAN MARCO	FOR INLET TAPS - PER RUBINETTI CARICO
1186111	∅ 14x4x4 mm	BEZZERA	FOR STEAM/WATER TAPS - PER RUBINETTI VAPORE/ACQUA
1186111	∅ 14x4x4 mm	SAN MARCO	FOR BREW GROUPS - PER GRUPPI EROGAZIONE



LF Code	Dimensions	Suitable for	Notes
1186302	∅ 14x4x5 mm	CARIMALI	FOR STEAM/WATER TAPS - PER RUBINETTI VAPORE/ACQUA
1186316	∅ 15x4x4 mm 60SH	ASTORIA/CMA - WEGA	FOR STEAM/WATER TAPS - PER RUBINETTI VAPORE/ACQUA
1186527	∅ 15x4x4 mm 80SH	ASTORIA/CMA - WEGA	FOR STEAM/WATER TAPS - PER RUBINETTI VAPORE/ACQUA
1186515	∅ 15x5.5x3.5 mm	SPAZIALE	FOR STEAM/WATER TAPS - PER RUBINETTI VAPORE/ACQUA
1186369	∅ 15x5.5x4 mm	FUTURMAT	FOR BREW GROUPS - PER GRUPPI EROGAZIONE
1186369	∅ 15x5.5x4 mm	SAN MARCO	FOR STEAM/WATER TAPS - PER RUBINETTI VAPORE/ACQUA
1186985	∅ 15x6x6 mm	GAGGIA	FOR STEAM/WATER TAPS - PER RUBINETTI VAPORE/ACQUA
1186985	∅ 15x6x6 mm	PAVONI	FOR STEAM/WATER TAPS - PER RUBINETTI VAPORE/ACQUA
1186300	∅ 15x7.3x4 mm	CIMBALI	FOR STEAM/WATER TAPS - PER RUBINETTI VAPORE/ACQUA
1186300	∅ 15x7.3x4 mm	GRIMAC	FOR STEAM/WATER TAPS - PER RUBINETTI VAPORE/ACQUA
1186057	∅ 15.3x7.7x4 mm	BRASILIA	FOR STEAM/WATER TAPS - PER RUBINETTI VAPORE/ACQUA
1186312	∅ 15.5x7.5x4 mm	MANY BRANDS - MOLTI MARCHI	SEVERAL APPLICATIONS - MOLTE APPLICAZIONI
1186233	∅ 16x4x5 mm	UNIC	FOR STEAM/WATER TAPS - PER RUBINETTI VAPORE/ACQUA
1186282	∅ 16.5x6x4 mm	SAN MARCO	FOR BREW GROUPS - PER GRUPPI EROGAZIONE
1186170	∅ 18x4x4 mm	CARIMALI	FOR STEAM/WATER TAPS - PER RUBINETTI VAPORE/ACQUA
3449039	∅ 18x11x2 mm	---	FOR INLET HOSES ∅ 1/2" - PER TUBI CARICO ∅ 1/2"
1186102	∅ 19x3.5x4 mm	BEZZERA	FOR STEAM/WATER TAPS - PER RUBINETTI VAPORE/ACQUA
1186958	∅ 20.5x15x2 mm	CIMBALI	FOR STEAM/WATER TAPS - PER RUBINETTI VAPORE/ACQUA
1186066	∅ 21x15x3 mm	BRASILIA	FOR STEAM/WATER TAPS - PER RUBINETTI VAPORE/ACQUA
1186410	∅ 21x16x2 mm	RANCILIO	FOR BREW GROUPS - PER GRUPPI EROGAZIONE
1186410	∅ 21x16x2 mm	RENEKA	FOR STEAM/WATER TAPS - PER RUBINETTI VAPORE/ACQUA
1786222	∅ 22x18x1.5 mm	CIMBALI	FOR BOOSTER PUMPS - PER POMPE VOLUMETRICHE
3449026	∅ 24x12x2 mm	---	FOR INLET HOSES ∅ 3/4" - PER TUBI CARICO ∅ 3/4"
1786231	∅ 24x15x3 mm	GAGGIA	FOR INLET TAPS - PER RUBINETTI CARICO
1786231	∅ 24x15x3 mm	PAVONI	FOR STEAM/WATER TAPS - PER RUBINETTI VAPORE/ACQUA
1786315	∅ 51.3x43x5 mm	ISOMAC	FOR BREW GROUPS - PER GRUPPI EROGAZIONE

EXPANSION AND NON-RETURN VALVES "UNIVERSAL"



Photo	LF Code	Dimensions
1	1523036	∅ 1/8"M-1/8"F
2	1523700	∅ 1/8"M-1/8"M
3	3349281	∅ 3/8"F-3/8"F
4	3349283	∅ 3/4"F-3/4"F
5	1523072	∅ 3/8"M



FILTER HOLDER DELONGHI



Photo	LF Code	Wings	Knob	Spouts	Filter	Spring	Suitable for	For machine model
1	1165121	5 mm	---	---	NO	---	DELONGHI 7313280779	ECOV310AZ - EC155 - EC300M
2	1165120	---	---	---	---	---	DELONGHI 534714	EC155 - EC300M
3	1165122	---	---	---	---	---	DELONGHI 5313217311	ECOV310AZ

FILTER HOLDER GASKETS DELONGHI

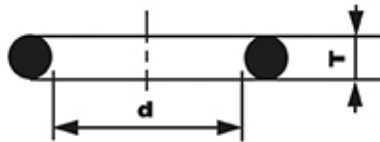


1

Photo	LF Code	Dimensions (mm)	Notes	Suitable for	For machine model
1	1486011	∅ 74x36x11	ORIGINAL	DELONGHI 5332140900	ECOV310AZ - EC155 - EC300M

GASKETS "OR" R1-R2-R3....R10..

1.90 - 2.20
2.70 - 3.60 mm



Dimensions (mm) T x d	Model (new cross-references)	Model (old cross-references)	LF Code (EPDM)	LF Code (VITON)	LF Code (SILICONE)
1.90 x 2.40	OR R0		1786108		
1.90 x 3.40	OR R2		2104557		
1.90 x 4.20	OR R3		1186996	1786316	
1.90 x 4.90	OR R4		1786286		
1.90 x 5.70	OR R5		1186854	1786310	1186610
1.90 x 7.20	OR R6		1186556	1186791	
2.70 x 12.10	OR R10		1786297		
3.60 x 23.00	OR R18		1786157		



DELONGHI



GASKETS ORM



Model	Notes	LF Code	Suitable for
0060-10	SILICON RED	1186550	ASTORIA/CMA 12300013
0250-40	NBR BLACK	1186772	ASTORIA/CMA 12300027
0170-30	NBR BLACK	1186773	ASTORIA/CMA 12336000
0050-15	EPDM BLACK	1786219	ASTORIA/CMA 12662000
0040-20	SILICON RED	1786257	BIANCHI 43113416-01
0140-20	NBR BLACK	1186484	BRASILIA 18514.0.00.02
0160-20	EPDM BLACK	1186165	BRASILIA 18682.0.00.02
0059-12	EPDM BLACK	5034069	CARIMALI 87.00169
0160-20	EPDM BLACK	1186165	CARIMALI 95.05027
0057-19	VITON GREEN	1186966	CASADIO 402198000
0057-19	VITON GREEN	1186966	CIMBALI 402-198-000
0089-27	VITON GREEN	1186968	CIMBALI 402-197-000
0680-20	EPDM BLACK	1186381	CONTI 173100
0040-20	EPDM BLACK	1186252	CONTI 403457
0120-20	VITON GREEN	1186157	CONTI 409631
0060-10	EPDM BLACK	1786071	CONTI 410838
0248-18	SILICON BLACK	1786269	DELONGHI 5313214431
0045-20	SILICON BLACK	1786265	DELONGHI 5313217691
0038-20	SILICON BLACK	1786264	DELONGHI 5313217701
0060-20	SILICON RED	1186867	DELONGHI 5332144800
0350-41	SILICON RED	1486015	DELONGHI 5332149100
0060-36	SILICON BLACK	1486016	DELONGHI 5332173500
0060-10	EPDM BLACK	1786071	EXPOBAR 50010090
0057-19	VITON GREEN	1186966	FAEMA 402198000
0089-27	VITON GREEN	1186968	FAEMA 402197000
0780-30	EPDM BLACK	1186507	FAEMA 4701026909
0040-20	EPDM BLACK	1186252	FAEMA 4701030708
0060-18	EPDM BLACK	1786302	FIAMMA RST 5.0.002.0122
0017-20	EPDM BLACK	1786295	FIAMMA RST 5.0.016.0225
0060-12	EPDM BLACK	1186713	FIAMMA RST 5.0.016.0323
0058-20	VITON BLACK	1786304	FRACINO FC222SG
0040-20	EPDM BLACK	1186252	FUTURMAT 03070802
0060-30	SILICON BLACK	5008675	GAGGIA 140324362
0080-20	VITON BLACK	1186687	GRIMAC 1110800040-GR756
0050-20	VITON BLACK	1186778	MARZOCCO H.1.005
0059-12	EPDM BLACK	5034069	NUOVA SIMONELLI 02280036
0160-20	EPDM BLACK	1186165	NUOVA SIMONELLI 02280037
0102-25	PTFE	1786260	NUOVA SIMONELLI 02600004
0080-20	EPDM BLACK	1786149	PAVONI 0ENM02004
0500-40	SILICON RED	1186453	RANCILIO 36404113
0072-15	EPDM BLACK	1786063	RENEKA 9001884
0170-20	EPDM BLACK	1786064	RENEKA 9005075
0030-15	EPDM BLACK	1186855	SAECO 12000414
0080-20	SILICON RED	1186852	SAECO 140320459
0080-20	TERMOIL BLACK	1786111	SAECO 140320461
0090-20	SILICON RED	1186647	SAECO 140320762
0060-30	SILICON BLACK	5008675	SAECO 140324362



DELONGHI



Model	Notes	LF Code	Suitable for
0060-20	SILICON RED	1186867	SAECO 140324459
0080-15	EPDM BLACK	1186675	SAECO 140324961
0040-20	EPDM BLACK	1186252	SAECO 140326661
0380-40	SILICON RED	1186856	SAECO 140329262
0320-40	SILICON RED	1186862	SAECO NM01.044
0050-20	SILICON RED	1186648	SAECO NM01.057
0080-20	EPDM BLACK	1786149	SAECO NM02.004
0055-15	EPDM BLACK	1786150	SAECO NM02.017
0090-25	EPDM BLACK	1786074	SAECO NM02.018
0040-20	EPDM BLACK	1186252	SPAZIALE 04649
0160-20	EPDM BLACK	1186712	SPAZIALE 08289
0060-12	EPDM BLACK	1186713	SPAZIALE 08354
0060-10	SILICON RED	1186550	SPINEL SR.000.060.042
0017-20	EPDM BLACK	1786295	VIBIEMME GUARORVALESPE
0060-10	SILICON RED	1186550	WEGA WY12300013
0250-40	NBR BLACK	1186772	WEGA WY12300027

HANDLES DELONGHI



1

Photo	LF Code	Notes	Suitable for	For machine model
1	1241181	---	DELONGHI 5532109600	EC155

HEATING ELEMENTS DELONGHI



1

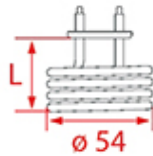


Photo	LF Code	Watt - Volt	L (mm)	Groups	Suitable for	For machine model
1	1755274	1000W 225V	55	1	DELONGHI 5513270609	ECOV310AZ - EC155 - EC300M

MOTORS DELONGHI



Photo	LF Code	Model	Suitable for	For machine model
1	1240376	230V 50Hz	DELONGHI 7313217261	ECAM23.210.W - ESAM5400
2	1240377	230V 50Hz	DELONGHI 7313226111	ESAM5400

MUSHROOM GASKETS



Photo	LF Code	Dimensions	Material	Suitable for	For machine model
1	1192088	---	SILICON	SAECO 9161.320	IDEA - ROYALOFFICE
2	1786080	∅ 6/8 mm - H 9 mm	SILICON	GRIMAC 1110100001-MG015/2	AMBRA - DADAVAPORDOUBLE - OPALE - TERRY
2	1786080	∅ 6/8 mm - H 9 mm	SILICON	PAVONI 0R13330010	MICROPOD
2	1786080	∅ 6/8 mm - H 9 mm	SILICON	RDL 13330010	MAXI - MINI - MINICAP - SWEET
3	1786162	∅ 6/9 mm - H 8.5 mm	SILICON	NUOVA SIMONELLI 02540004	JAZZ
3	1786162	∅ 6/9 mm - H 8.5 mm	SILICON	VICTORIA ARDUINO 02540004	VENUSCENTURY
4	1786282	∅ 3.5/6 mm - H 8 mm	SILICON	DELONGHI 5332148400	ECOV310AZ - EC155 - EC300M - ESAM5400 - ESAM5400EX
5	1786314	∅ 6/7 mm - H 8 mm	SILICON	ISOMAC IS000805	GIADA - MAVERICK

NBR FLAT GASKETS

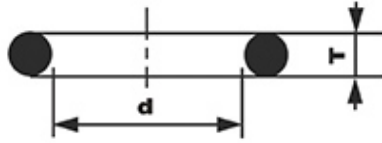


Photo	LF Code	Dimensions	Suitable for	Notes
1	1186474	∅ 12x7x5 mm	GAGGIA	FOR STEAM/WATER TAPS - PER RUBINETTI VAPORE/ACQUA
1	1186474	∅ 12x7x5 mm	PAVONI	FOR STEAM/WATER TAPS - PER RUBINETTI VAPORE/ACQUA
2	1186311	∅ 13x4x4 mm	MANY BRANDS - MOLTI MARCHI	SEVERAL APPLICATIONS - MOLTE APPLICAZIONI



O-RING GASKETS THICKNESS 2.62 mm

2.62 mm



Dimensions (mm) T x d	Model (new cross-references)	Model (old cross-references)	LF Code	LF Code	LF Code	LF Code	LF Code
			(EPDM)	(VITON) STANDARD	(SILICONE) RED	(VITON) MIX COLOR	(SILICONE) MIX COLOR
2.62 x 6.02	OR 03024		3786668		1786137		
2.62 x 7.59	OR 03030		1186358	1786155	1786280	1786197	
2.62 x 9.13	OR 0109	OR 0109	1186255	5029740	1186910		3186608
2.62 x 9.19	OR 03037	OR 0111	3186340	1786202			
2.62 x 9.92	OR 0112	OR 0112	1186304		1786049	1186879	1186914
2.62 x 10.78	OR 03043	OR 0113	1186318		3786719	1186236	
2.62 x 11.91	OR 0115	OR 0115	1186805	1186709	1186745		
2.62 x 12.37	OR 03050	OR 0116	3060608	3090132	1186458		
2.62 x 13.10	OR 0117	OR 0117	3243086		1186085		1786234
2.62 x 13.95	OR 03056	OR 0118	3186860		1186762		
2.62 x 15.08	OR 0119	OR 0119	1186414	1186714	3523062		
2.62 x 15.88	OR 0121	OR 0121	3186434	1186246			
2.62 x 17.13	OR 03068	OR 0122	3186181	1786276	1186850		
2.62 x 17.86	OR 0123	OR 0123	3186287		1186000		1199001
2.62 x 18.72	OR 03075	OR 0124	1186356		5059295		
2.62 x 20.24	OR 03081	OR 0127	1186327	5039864	1186026		1186053
2.62 x 20.63	OR 0128	OR 0128	3186183	1186591		1786300	
2.62 x 21.89	OR 03087		1786233		1186796		
2.62 x 22.22	OR 0130	OR 0130	3186253		1186292		
2.62 x 23.47	OR 03093		1186922				
2.62 x 23.81	OR 0132	OR 0132	1186438				
2.62 x 25.07	OR 03100		1186833				
2.62 x 26.65	OR 03106		1186759			5045475	1786243
2.62 x 28.25	OR 03112		3186247	5037072			7104228
2.62 x 29.82	OR 03118		3186458				
2.62 x 31.42	OR 03125		3186244			1186930	
2.62 x 32.99	OR 03131		3186847	5029479	1186920		
2.62 x 34.60	OR 03137		3243250	1186767			
2.62 x 36.14	OR 03143		5027619				
2.62 x 39.34	OR 03156		3786183	1186184			
2.62 x 40.95	OR 03162		3243389				
2.62 x 42.52	OR 03168		3160040	1186705			
2.62 x 45.69	OR 03181		1186466				
2.62 x 47.30	OR 03187		3160044		1786313		
2.62 x 48.89	OR 03193		1186672	5055114			
2.62 x 50.47	OR 03200		3186245	5034849		1186948	
2.62 x 53.65	OR 03212		3060038		1186847		
2.62 x 58.42	OR 03231		3186455		1199075		
2.62 x 60.00	OR 03237		3243166				
2.62 x 61.60	OR 03243		3122252				
2.62 x 63.17	OR 03250		3186315				
2.62 x 64.77	OR 03256		1786203	1786153			
2.62 x 67.95	OR 03268		3186248				
2.62 x 71.12	OR 03281		1186625		1186405		
2.62 x 72.69	OR 03287		1186152				



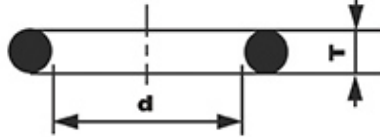
DELONGHI



Dimensions (mm) T x d	Model (new cross-references)	Model (old cross-references)	LF Code (EPDM)	LF Code (VITON) STANDARD	LF Code (SILICONE) RED	LF Code (VITON) MIX COLOR	LF Code (SILICONE) MIX COLOR
2.62 x 75.87	OR 03300		1186237	1186779			
2.62 x 78.94			3786579				
2.62 x 88.57	OR 03350		5015751		1786124		
2.62 x 94.92	OR 03375		1186605				
2.62 x 215.57	OR 03850		3786202				

O-RING GASKETS THICKNESS 3.53 mm

3.53 mm



Dimensions (mm) T x d	Model (new cross-references)	Model (old cross-references)	LF Code (EPDM)	LF Code (VITON) STANDARD	LF Code (SILICONE) RED	LF Code (VITON) MIX COLOR	LF Code (SILICONE) MIX COLOR
3.53 x 9.12	OR 04036		6456047	2102713			
3.53 x 15.47	OR 04061		1186019		3786053		
3.53 x 17.04	OR 04067		3786519				
3.53 x 18.64	OR 04075	OR 0125	1186472	1186766	3186610		
3.53 x 20.22	OR 04081	OR 0126	1186238	2111463	1186009		
3.53 x 21.82	OR 04087	OR 0129	1186630	4059475			
3.53 x 23.40	OR 04093	OR 0131	3186143	5028161	1786050		
3.53 x 26.58	OR 04106	OR 0135	1186231		1786119		
3.53 x 28.17	OR 04112	OR 0136	1186480	3786008	1786018		1186869
3.53 x 29.75	OR 04118	OR 0137	3243142	1786167	1186874	1186790	1786199
3.53 x 31.34	OR 04125	OR 0138	1186506		1186010		
3.53 x 32.93	OR 04131	OR 0139	1186655	3186580	1786210	1786098	
3.53 x 34.52	OR 04137	OR 0140	3061040		1186990	1186403	1186963
3.53 x 36.10	OR 04143	OR 0141	3186338		1786118		
3.53 x 37.69	OR 04150	OR 0142	3186197	5034986	1186905		1786168
3.53 x 39.69	OR 0144	OR 0144	3186606		1786099		1186947
3.53 x 40.86	OR 04162		3067198	40C6450	5039021		
3.53 x 41.28	OR 0146	OR 0146	3186238	1186798			
3.53 x 42.86	OR 0147	OR 0147	3186184	1786117	1786140		
3.53 x 44.04	OR 04175		3186175	1786152			
3.53 x 46.04	OR 0150	OR 0150	3786181				
3.53 x 47.22	OR 04187		3186290	1186190			
3.53 x 47.63	OR 0152	OR 0152	1186087			1186931	
3.53 x 49.21	OR 0153	OR 0153	3786454	5005318	1786116		
3.53 x 50.39	OR 04200		3186601	3786459	4006406		
3.53 x 50.80	OR 0155	OR 0155	3316031		1186503	1786311	
3.53 x 53.57	OR 04212		1186643			5501390	
3.53 x 55.56	OR 0159	OR 0159	3186697	1186715			
3.53 x 56.74	OR 04225		1186799				
3.53 x 57.15	OR 0161	OR 0161	1186198	1786292			
3.53 x 58.74	OR 0162	OR 0162	1186199	1786287			
3.53 x 59.92	OR 04237		3316110				
3.53 x 60.33	OR 0164	OR 0164	1186230	1786011			
3.53 x 63.09	OR 04250		1186022				
3.53 x 63.50	OR 0167	OR 0167	3186454		1786298		
3.53 x 65.09	OR 0168	OR 0168	1186645				
3.53 x 68.26	OR 0171	OR 0171	1186763				
3.53 x 69.44	OR 04275		5022973		1786209		



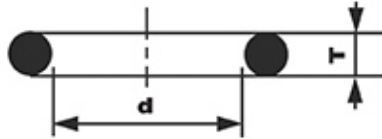
DELONGHI



Dimensions (mm) T x d	Model (new cross-references)	Model (old cross-references)	LF Code (EPDM)	LF Code (VITON) STANDARD	LF Code (SILICONE) RED	LF Code (VITON) MIX COLOR	LF Code (SILICONE) MIX COLOR
3.53 x 71.44	OR 0174	OR 0174	3243160				
3.53 x 73.03	OR 0176	OR 0176	1186641		1186858	1786254	
3.53 x 75.80	OR 04300		1186748		1786110		
3.53 x 78.97	OR 04312		3186271	1186698	1786268		
3.53 x 82.14	OR 04325		1186693				
3.53 x 85.32	OR 04337		1186519				
3.53 x 88.50	OR 04350		1186873				1786261
3.53 x 91.67	OR 04362		3061007				
3.53 x 94.84	OR 04375		3061011				
3.53 x 98.02	OR 04387		3186137				
3.53 x 101.20	OR 04400		3160607	5501389	1786129		
3.53 x 107.50	OR 04425		3186235			1786214	
3.53 x 110.70	OR 04437		3061016				
3.53 x 113.90	OR 04450		3186456				
3.53 x 120.20	OR 04475		3186466		1186806		
3.53 x 132.90	OR 04525		1186941				
3.53 x 136.10	OR 04537		1186708				
3.53 x 148.80	OR 04587		3122552				
3.53 x 158.30	OR 04625		3122255				
3.53 x 164.70	OR 04650		3122344				
3.53 x 183.70	OR 04725		3061037				

O-RING GASKETS THICKNESS 5.34 mm

5.34 mm



Dimensions (mm) T x d	Model (new cross-references)	Model (old cross-references)	LF Code (EPDM)	LF Code (VITON) STANDARD	LF Code (SILICONE) RED	LF Code (VITON) MIX COLOR	LF Code (SILICONE) MIX COLOR
5.34 x 34.29	OR 06135		1186220				
5.34 x 37.47	OR 06150	OR 0143	3186001			5018795	
5.34 x 40.65	OR 06162	OR 0145	5026454	1786272			
5.34 x 43.82	OR 06175	OR 0148	3186339		5039034		
5.34 x 47.00	OR 06187	OR 0151	3186013	5060790	3186313		
5.34 x 50.16	OR 06200	OR 0154	3186333		1786275		
5.34 x 53.34	OR 06212	OR 0157	1186673	3186241	1786273		5023642
5.34 x 56.52	OR 06225	OR 0160	3186014				3186314
5.34 x 59.69	OR 06237	OR 0163	1186932		5038239		
5.34 x 62.87	OR 06250	OR 0166	3186331				
5.34 x 66.04	OR 06262	OR 0169	1186505				
5.34 x 69.22	OR 06275	OR 0172	3160061				
5.34 x 72.39	OR 06287	OR 0175	3786685				
5.34 x 74.63	OR 0178	OR 0178	3186015		1786009		
5.34 x 75.57	OR 06300	OR 0179	5039882	1186456			
5.34 x 78.74	OR 06312	OR 0180	3010048				
5.34 x 79.77	OR 0181	OR 0181	5006335				
5.34 x 81.92	OR 06325	OR 0182	3243088				
5.34 x 85.09	OR 06337	OR 0183	3186335		1786246		
5.34 x 94.62	OR 06375	OR 0187	1786002				
5.34 x 100.00	OR 0189	OR 0189	1186749				
5.34 x 110.50	OR 06437	OR 0194	5010476				1186075



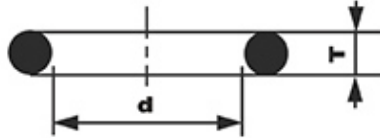
DELONGHI



Dimensions (mm) T x d	Model (new cross-references)	Model (old cross-references)	LF Code (EPDM)	LF Code (VITON) STANDARD	LF Code (SILICONE) RED	LF Code (VITON) MIX COLOR	LF Code (SILICONE) MIX COLOR
5.34 x 120.70	OR 0201	OR 0201	3160615				
5.34 x 139.70	OR 0215	OR 0215	5052966				

O-RING GASKETS THICKNESS 7.00 mm

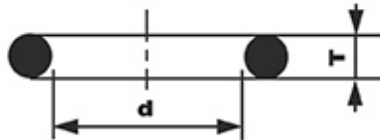
7.00 mm



Dimensions (mm) T x d	Model (new cross-references)	Model (old cross-references)	LF Code (EPDM)	LF Code (VITON) STANDARD	LF Code (SILICONE) RED	LF Code (VITON) MIX COLOR	LF Code (SILICONE) MIX COLOR
7.00 x 135.90	OR 08537	OR 0212	5050109				
7.00 x 142.20	OR 08562	OR 0216	2104555				
7.00 x 155.60	OR 0223	OR 0223	5006513				
7.00 x 183.52	OR 08725	OR 0234	5024838				
7.00 x 204.67	OR 08950	OR 0246	5026360		5029810		
7.00 x 266.07	OR 081050	OR 0250	5034088				
7.00 x 297.80	OR 081175	OR 0255	5032360				

O-RING THICKNESS 1.78 mm

1.78 mm



Dimensions (mm) T x d	Model (new cross-references)	Model (old cross-references)	LF Code (EPDM)	LF Code (VITON) STANDARD	LF Code (SILICONE) RED	LF Code (VITON) MIX COLOR	LF Code (SILICONE) MIX COLOR
1.78 x 1.78	OR 02007		2111723				
1.78 x 2.57	OR 02010		1186163	1186746			
1.78 x 2.90	OR 02012	OR 0101	1186365		1186846	1186842	
1.78 x 3.69	OR 02015	OR 0102	1186014	1186900	1786278	1786095	1186514
1.78 x 4.48	OR 02018	OR 0103	1186421	1186755	1186861		
1.78 x 5.28	OR 02021	OR 0104	1186362	1786088	1186903	1786144	5056235
1.78 x 6.07	OR 02025	OR 0105	3243139	1186612	1186611	1786143	1486013
1.78 x 6.75	OR 0106	OR 0106	3243009	1186435	1186864		
1.78 x 7.66	OR 02031	OR 0107	1186411	1186717	1186901	1786085	
1.78 x 8.73	OR 0108	OR 0108	1186422	1186707	1186902		
1.78 x 9.25	OR 02037	OR 0110	1186803	1186088	1786087	1786267	
1.78 x 10.82	OR 02043		1186346	1786303	5008673	1186950	
1.78 x 11.11	OR 0114	OR 0114	1186626	1186730	1186877		1786075
1.78 x 12.42	OR 02050		1186352		1186366		
1.78 x 14.00	OR 02056		1186223	1786154	1786061	5037375	
1.78 x 15.60	OR 02062		1186424	1786232	1786159	1786208	
1.78 x 17.17	OR 02068		3243069	1786271		1786165	
1.78 x 18.77	OR 02075		3186440			1186933	5008687
1.78 x 20.35	OR 02081		3243266				1186373



DELONGHI



Dimensions (mm) T x d	Model (new cross-references)	Model (old cross-references)	LF Code	LF Code	LF Code	LF Code	LF Code
			(EPDM)	(VITON) STANDARD	(SILICONE) RED	(VITON) MIX COLOR	(SILICONE) MIX COLOR
1.78 x 21.95	OR 02087		3243382	1786277			
1.78 x 23.52	OR 02093		1186401				
1.78 x 25.12	OR 02100		3186169				
1.78 x 26.70	OR 02106		3186343		1186863		
1.78 x 28.30	OR 02112		3186754	1186631			
1.78 x 29.87	OR 02118		5010533				
1.78 x 31.47	OR 02125		3243191	1186919	1786139		
1.78 x 33.05	OR 02131		1186003		3186317		
1.78 x 34.65	OR 02137		3243189		5060454	1186929	
1.78 x 47.35	OR 02187		7102065		3186657		
1.78 x 50.52	OR 02200		1186956				
1.78 x 60.05	OR 02237		6456037				
1.78 x 72.75	OR 02287		5059891				
1.78 x 75.92	OR 02300		1186397				
1.78 x 82.27	OR 02325		6456074				
1.78 x 88.62	OR 02350		3186232				
1.78 x 94.97	OR 02375		3122121				
1.78 x 120.37	OR 02475		3122365				
1.78 x 133.07	OR 02525		3186239				

PIPES DELONGHI



Photo	LF Code	Notes	Suitable for	For machine model
1	1449224	PTFE \varnothing 2x4 mm - 230 mm	DELONGHI 5532118000	EC155
2	1449225	PTFE \varnothing 2x4 mm - 380 mm	DELONGHI 5513213101	ESAM6700
3	1449223	SILICON \varnothing 4x8 mm - 270 mm	DELONGHI 5332178100	ECOV310AZ - EC155 - EC300M

PLASTIC WATER FILTERS



Photo	LF Code	Suitable for
1	1160026	GAGGIA - SAECO
2	1160083	DELONGHI
3	1160003	SPINEL
4	5047592	BEZZERA

PROBES DELONGHI



Photo	LF Code	Connection	Suitable for	For machine model
1	1397057	---	DE'LONGHI 5217100200	ESAM5400
2	1397058	---	DE'LONGHI 5213211781	ESAM5400EX

PROTECTIVE RUBBERPIECES



Photo	LF Code	For pipe \varnothing (mm)	Suitable for
1	1186398	8	NUOVA SIMONELLI
1	5030025	10	NUOVA SIMONELLI - SANREMO
2	1187501	8	ALL BRANDS - TUTTE LE MARCHE
2	1186924	10	CASADIO - CIMBALI - FAEMA - FIAMMA
3	1186180	10	ALL BRANDS - TUTTE LE MARCHE
4	1549009	8	ASTORIA/CMA - MCE - WEGA
5	1549011	10	CIMBALI - FAEMA

PROTECTIVE RUBBERPIECES



Photo	LF Code	Suitable for
1	1549032	DE'LONGHI
2	5500789	SAECO
3	1186849	SAECO
4	1189002	SAECO



PTFE FLAT GASKETS



LF Code	Dimensions	Suitable for	Notes
5500622	∅ 6x1.8x2 mm	SAECO	FOR STEAM/WATER TAPS - PER RUBINETTI VAPORE/ACQUA
1186718	∅ 7x5x1 mm	SPAZIALE	FOR HIDRAULIC SYSTEM - PER IMPIANTO IDRAULICO
1186974	∅ 8.5x4.5x1.5 mm	CIMBALI - CASADIO	FOR MANOMETER - PER MANOMETRO
1786291	∅ 9.5x6x2 mm	VIBIEMME	FOR BREW GROUPS - PER GRUPPI EROGAZIONE
1186099	∅ 10x6x1 mm	BEZZERA - BIANCHI - BRASILIA	FOR BREW GROUPS - PER GRUPPI EROGAZIONE
1186099	∅ 10x6x1 mm	PAVONI - RENEKA	FOR BREW GROUPS - PER GRUPPI EROGAZIONE
1186434	∅ 10x7x0.5 mm	FAEMA	FOR BREW GROUPS - PER GRUPPI EROGAZIONE
1186359	∅ 11.4x8x3 mm	CIMBALI	FOR INLET TAPS - PER RUBINETTI CARICO
1186809	∅ 12x9x1 mm	FIAMMA - RANCILIO	FOR BREW GROUPS - PER GRUPPI EROGAZIONE
1186121	∅ 12x10x0.5 mm	FAEMA	FOR STEAM/WATER TAPS - PER RUBINETTI VAPORE/ACQUA
1186065	∅ 12x10x1 mm	BRASILIA - FIORENZATO - VIBIEMME	FOR STEAM/WATER TAPS - PER RUBINETTI VAPORE/ACQUA
1186908	∅ 12x10x2 mm	SAECO	---
1186581	∅ 13x3x4 mm	AZKOYEN	---
1186661	∅ 13x15.5x1 mm	BRASILIA	FOR STEAM/WATER TAPS - PER RUBINETTI VAPORE/ACQUA
1186945	∅ 14x10x1.5 mm	CIMBALI	FOR BOOSTER PUMPS - PER POMPE VOLUMETRICHE
1186794	∅ 14.6x12x3 mm	PROMAC	FOR STEAM/WATER TAPS - PER RUBINETTI VAPORE/ACQUA
1186189	∅ 15x11x2 mm	ASTORIA/CMA	FOR BREW GROUPS - PER GRUPPI EROGAZIONE
3186273	∅ 16.5x12.5x1.5 mm	---	---
1186240	∅ 17x12x0.5 mm	FAEMA	FOR BREW GROUPS - PER GRUPPI EROGAZIONE
1186468	∅ 17x12x1.5 mm	PAVONI - GAGGIA	---
1186982	∅ 17x13x2 mm	GRIMAC	FOR BOILER SAFETY VALVES - PER VALVOLA BOILER
1186982	∅ 17x13x2 mm	PAVONI	FOR BREW GROUPS - PER GRUPPI EROGAZIONE
1186982	∅ 17x13x2 mm	VIBIEMME	FOR LEVEL CAPS - PER TAPPO LIVELLO
1186079	∅ 17x13x3 mm	BRASILIA	FOR BREW GROUPS - PER GRUPPI EROGAZIONE
1186119	∅ 17.3x12x2 mm	CONTI	FOR BREW GROUPS - PER GRUPPI EROGAZIONE
1186030	∅ 18x3.5x1 mm	EXPOBAR	FOR BREW GROUPS - PER GRUPPI EROGAZIONE
1186443	∅ 18x9x0.5 mm	RANCILIO - PROMAC	FOR STEAM/WATER TAPS - PER RUBINETTI VAPORE/ACQUA
1186404	∅ 18x13x2 mm	MANY BRANDS - MOLTI MARCHI	SEVERAL APPLICATIONS - MOLTE APPLICAZIONI
1786301	∅ 18x13.5x2 mm	FIAMMA	---
1786166	∅ 18x14x1.5 mm	CIMBALI - CASADIO	FOR BOILER SAFETY VALVES - PER VALVOLA BOILER
1786040	∅ 18.2x13x2.5 mm	EXPOBAR	---
1786251	∅ 19x14.5x2 mm	CARIMALI	FOR BREW GROUPS - PER GRUPPI EROGAZIONE
1786001	∅ 20x13x3 mm	---	---
1186959	∅ 20x15x1 mm	CIMBALI - FAEMA	---
1186594	∅ 20x17x2 mm	BRASILIA	FOR INLET TAPS - PER RUBINETTI CARICO
1186594	∅ 20x17x2 mm	ORCHESTRALE	FOR STEAM/WATER TAPS - PER RUBINETTI VAPORE/ACQUA
1186594	∅ 20x17x2 mm	SANREMO	FOR BREW GROUPS - PER GRUPPI EROGAZIONE
1186201	∅ 21x16.8x2 mm	MANY BRANDS - MOLTI MARCHI	SEVERAL APPLICATIONS - MOLTE APPLICAZIONI
3786036	∅ 22x9x1 mm	---	---
1186326	∅ 22x16x2 mm	MANY BRANDS - MOLTI MARCHI	SEVERAL APPLICATIONS - MOLTE APPLICAZIONI
1186957	∅ 22x17x1.5 mm	CIMBALI - CASADIO	FOR STEAM/WATER TAPS - PER RUBINETTI VAPORE/ACQUA
1186314	∅ 22x17x2 mm	MANY BRANDS - MOLTI MARCHI	SEVERAL APPLICATIONS - MOLTE APPLICAZIONI
3186609	∅ 24x13x1.5 mm	---	---
1186323	∅ 24x18x2 mm	MANY BRANDS - MOLTI MARCHI	SEVERAL APPLICATIONS - MOLTE APPLICAZIONI
1186731	∅ 24x19x2 mm	FIORENZATO - MARZOCCO - VIBIEMME	FOR STEAM/WATER TAPS - PER RUBINETTI VAPORE/ACQUA
1786250	∅ 24x20x1.5 mm	CARIMALI	FOR BREW GROUPS - PER GRUPPI EROGAZIONE
3186278	∅ 25x16.5x0.5 mm	---	---



LF Code	Dimensions	Suitable for	Notes
1186969	∅ 25x21x1.5 mm	CIMBALI - CASADIO	FOR FILTER - PER FILTRO
1786283	∅ 25.5x21x5 mm	VIBIEMME	FOR BREW GROUPS - PER GRUPPI EROGAZIONE
3786502	∅ 25.7x21.2x5 mm	EXPOBAR	---
1186516	∅ 26x17x2 mm	SPAZIALE	FOR HEATING ELEMENTS - PER RESISTENZE
1186118	∅ 26x19x2 mm	FIorenzato	FOR STEAM/WATER TAPS - PER RUBINETTI VAPORE/ACQUA
1186117	∅ 26x21x2 mm	MANY BRANDS - MOLTI MARCHI	SEVERAL APPLICATIONS - MOLTE APPLICAZIONI
1186537	∅ 26x22x2 mm	EXPOBAR	FOR BREW GROUPS - PER GRUPPI EROGAZIONE
1186537	∅ 26x22x2 mm	PAVONI	FOR BREW GROUPS - PER GRUPPI EROGAZIONE
1186127	∅ 27x20x0.5 mm	FAEMA	FOR INLET TAPS - PER RUBINETTI CARICO
1186248	∅ 27x20x1 mm	CASADIO	FOR BREW GROUPS - PER GRUPPI EROGAZIONE
1186248	∅ 27x20x1 mm	FAEMA	FOR STEAM/WATER TAPS - PER RUBINETTI VAPORE/ACQUA
1186290	∅ 27x21x2 mm	SAN MARCO	FOR BREW GROUPS - PER GRUPPI EROGAZIONE
1186281	∅ 28x23x2 mm	PAVONI	FOR STEAM/WATER TAPS - PER RUBINETTI VAPORE/ACQUA
1186281	∅ 28x23x2 mm	SAN MARCO	FOR BREW GROUPS - PER GRUPPI EROGAZIONE
1186770	∅ 33x28x4 mm	ASTORIA/CMA	FOR BREW GROUPS - PER GRUPPI EROGAZIONE
1186361	∅ 34x27x2 mm	SAN MARCO	FOR BREW GROUPS - PER GRUPPI EROGAZIONE
3186665	∅ 35x21x2 mm	---	---
1186328	∅ 35x30x2 mm	MANY BRANDS - MOLTI MARCHI	SEVERAL APPLICATIONS - MOLTE APPLICAZIONI
1186307	∅ 36x30x2 mm	MANY BRANDS - MOLTI MARCHI	SEVERAL APPLICATIONS - MOLTE APPLICAZIONI
3786512	∅ 40x34x3 mm	CONTI	---
1186993	∅ 42x33x3 mm	BEZZERA	FOR HEATING ELEMENTS - PER RESISTENZE
1186243	∅ 42x34x0.5 mm	FAEMA	FOR BREW GROUPS - PER GRUPPI EROGAZIONE
1186608	∅ 50x40x2 mm	ASTORIA/CMA - SAN MARCO - SPAZIALE	FOR HEATING ELEMENTS - PER RESISTENZE
1186994	∅ 50x40x5.5 mm	SAN MARCO	FOR BREW GROUPS - PER GRUPPI EROGAZIONE
1186800	∅ 50x44x4 mm	FIorenzato - VIBIEMME	FOR BREW GROUPS - PER GRUPPI EROGAZIONE
1186979	∅ 52x40x2 mm	EXPOBAR	FOR HEATING ELEMENTS - PER RESISTENZE
1186979	∅ 52x40x2 mm	QUICK MILL	FOR HEATING ELEMENTS - PER RESISTENZE
1186623	∅ 53x43x3 mm	MANY BRANDS - MOLTI MARCHI	FOR HEATING ELEMENTS - PER RESISTENZE
3743110	∅ 57x41x2 mm	---	---
1186179	∅ 57x43x3 mm	MANY BRANDS - MOLTI MARCHI	FOR HEATING ELEMENTS - PER RESISTENZE
1186194	∅ 58x43x2 mm	ASTORIA/CMA - ORCHESTRALE	FOR HEATING ELEMENTS - PER RESISTENZE
1186609	∅ 58x51x2 mm	CIMBALI	FOR HEATING ELEMENTS - PER RESISTENZE
1186639	∅ 62x51x2 mm	SPAZIALE	FOR HEATING ELEMENTS - PER RESISTENZE
1186455	∅ 65x47x1.5 mm	RANCILIO - PROMAC	FOR HEATING ELEMENTS - PER RESISTENZE
1186409	∅ 68x55x3 mm	NUOVA SIMONELLI	FOR HEATING ELEMENTS - PER RESISTENZE
1186188	∅ 72x61x2 mm	ASTORIA/CMA	FOR HEAT EXCHANGES - PER SCAMBIATORE
1186297	∅ 73x61x3 mm	---	---
1186155	∅ 76x68.4x3 mm	CONTI	FOR HEATING ELEMENTS - PER RESISTENZE
1786213	∅ 85x70x2 mm	---	---

SELECTOR SWITCHES DELONGHI



1

Photo	LF Code	Positions number	Contact capacity	Suitable for	For machine model
1	1057036	0-3	10A 250V	DELONGHI 5132108100	EC155



SHAPED GASKETS



Photo	LF Code	Dimensions	Suitable for	Notes
1	1486012	∅ 18x8x9 mm	DELONGHI 5313235921	FOT WATER CONTAINER - PER CONTENITORE ACQUA
2	1486014	∅ 24x17x10 mm	DELONGHI 5332108700	FOT WATER CONTAINER - PER CONTENITORE ACQUA
3	1186215	∅ 15x10x2.5 mm	CARIMALI 88.00001.00.19	FOR STEAM/WATER TAPS - PER RUBINETTI VAPORE/ACQUA
4	1186082	∅ 50x36x2 mm	RENEKA 9001720	FOR HEAT EXCHANGES - PER SCAMBIATORE
5	1186135	---	SAN MARCO 109040	FOR BREW GROUPS - PER GRUPPI EROGAZIONE
6	1786252	∅ 16x8x2 mm	CARIMALI 95.05084	FOR BREW GROUPS - PER GRUPPI EROGAZIONE

SHOWER SCREENS DELONGHI



Photo	LF Code	Dimensions	Suitable for	For machine model
1	1081093	∅ 40.0 mm	DELONGHI 6032105300	ECAM23.210.W - ECAM26.455.C - ESAM5400 - ESAM5400EX
2	1081094	∅ 42.3 mm	DELONGHI 6032107100	ECOV310AZ - EC155 - EC300M
3	1081095	∅ 42.5 mm	DELONGHI 5313217601	ECAM23.210.W - ECAM26.455.C
4	1081092	∅ 43.0 mm	DELONGHI 5332139200	ESAM5400 - ESAM5400EX

SPECIFIC COUPLINGS DELONGHI



Photo	LF Code	Dimensions	Notes	Suitable for	For machine model
1	5056239	∅ 1/8" M	FOR SOLENOID VALVE - PER ELETTROVALVOLE	DELONGHI 5332188800	ESAM5400 - ESAM5400EX
2	5055960	∅ 1/8" M	FOR SOLENOID VALVE - PER ELETTROVALVOLE	DELONGHI 5332196800	ESAM5400 - ESAM5400EX
3	5059578	---	FOR BOILERS - PER CALDAIE	DELONGHI 5332239200	ESAM5400 - ESAM5400EX

SPECIFIC SPOUTS - VARIOUS BRANDS



Photo	LF Code	Connection (\varnothing)
1	1022032	3/8
2	1022059	3/8
3	1022505	3/8
4	1022550	3/8
5	1022099	3/8

SPRINGS DELONGHI



Photo	LF Code	Dimensions	Notes	Suitable for	For machine model
1	1250343	\varnothing 1.1 mm	---	DE'LONGHI 6132112100	ESAM5400
2	1250344	\varnothing 1.2 mm	---	DE'LONGHI 6113210021	ECAM23.210.W - ECAM26.455.C
3	1250342	\varnothing 1.1 mm	---	DE'LONGHI 6132101300	ECAM23.210.W - ECAM26.455.C

STEAM-WATER PIPES DELONGHI



Photo	LF Code	Notes	Suitable for	For machine model
1	1079024	---	DE'LONGHI 7313214601	ECAM23.210.W
2	1549033	---	DE'LONGHI 5332113800	ECOV310AZ - EC300M



STEAM-WATER TAPS DELONGHI



Photo	LF Code	Suitable for	For machine model
1	1548010	DELONGHI 7313212911	ECAM23.210.W
2	1548009	DELONGHI 7332139500	EC155 - EC300M

SWITCHES DELONGHI



Photo	LF Code	Notes	Suitable for	For machine model
1	1319175	SWITCH - INTERRUTTORE / 12A 250V	DELONGHI 5132112500	ECAM23.210.W
2	1319598	SWITCH - INTERRUTTORE / 16A 250V	DELONGHI 5113210371	ECAM26.455.C
3	1319599	SWITCH - INTERRUTTORE / 16A 250V	DELONGHI 5132100800	ECOV310AZ - EC300M
4	1319597	SWITCH - INTERRUTTORE / 16A 250V	DELONGHI 5132100700	ECOV310AZ - EC300M
5	1319596	---	DELONGHI 5313234821	ECOV310AZ
6	1319603	---	DELONGHI 5532128400	EC300M

UNIVERSAL CONTACT THERMOSTATS



Photo	LF Code	Temperature °C
1	1443017	85
1	1444506	90
1	1443010	93
1	1444003	95
1	1443005	98
1	1443011	100
1	1443072	104
1	1443400	107
1	1443071	110
1	3443081	125
1	1443401	135
1	1443004	145
2	1443070	135



Photo	LF Code	Temperature °C
2	1444206	145
2	1443002	165
3	1443079	95
3	3443026	110
3	5027936	125
3	1443066	130
3	1444521	155
3	1443034	200
4	5027937	170
4	1443012	180
5	1443055	125
5	5035435	140
5	1443063	143
6	1443030	---

VARIOUS CAPPUCCINATORE



Photo	LF Code	Suitable for
1	1079016	BIANCHI - SAN MARCO
2	1079030	ASTORIA/CMA - MCE - ORCHESTRALE
3	1079023	ASTORIA/CMA - CARIMALI - NUOVA SIMONELLI - WEGA
4	1079009	SAECO
5	1079010	SAECO
6	5501292	PAVONI

VOLUMETRIC FLOWMETERS GICAR



Photo	LF Code	Model	Suitable for	For machine model
1	1455067	9.0.55.02G / ø 1/4"FF / ø 1.15 mm	ASTORIA/CMA 18126	ARGENTA - BRAVA - DIVINA - DORA - GLORIA - GLORIA R12
1	1455067	9.0.55.02G / ø 1/4"FF / ø 1.15 mm	BEZZERA 7431001	B2000 - B2006 - B2009 COMPACT - B2013 - B3000 - B4000
1	1455067	9.0.55.02G / ø 1/4"FF / ø 1.15 mm	BFC 5032012	CLASSICA - DELUX - GALILEO - GRANDOGE - IMOLA - JUNIOR
1	1455067	9.0.55.02G / ø 1/4"FF / ø 1.15 mm	BRUGNETTI-AURORA 95.01205	---
1	1455005	9.0.78.02G / ø 1/4"FF / ø 1.15 mm	CONTI 403466V	SK2
1	1455067	9.0.55.02G / ø 1/4"FF / ø 1.15 mm	EXPOBAR 60100045	ELEN - EXPRESSO - G10 - MARKUS - MARKUS SILVER
1	1455067	9.0.55.02G / ø 1/4"FF / ø 1.15 mm	FIORINZATO CS A1500026	BRICOLETTA - DUCALE - FENICE - LIDO - VENEZIA
1	1455067	9.0.55.02G / ø 1/4"FF / ø 1.15 mm	FUTURMAT 08307500	ARIETE - F3 - RIMINI
1	1455060	9.0.93.02G / ø 1/4"FF / ø 1.15 mm	GAGGIA 11013052	DECO - GD - GE - XD - XE
1	1455067	9.0.55.02G / ø 1/4"FF / ø 1.15 mm	GRIMAC 1160900001-GR102	MIA - NEW CIALDA VAPOR - SELENITE DOUBLE - TWENTY
1	1455067	9.0.55.02G / ø 1/4"FF / ø 1.15 mm	MCE 18126	START
1	1455067	9.0.55.02G / ø 1/4"FF / ø 1.15 mm	NUOVA SIMONELLI 04900027	APPIA - APPIA COMPACT - AURELIA - AURELIATI - MACDIGIT
1	1455067	9.0.55.02G / ø 1/4"FF / ø 1.15 mm	ORCHESTRALE D18126	ETNICA - PHONICA
1	1455067	9.0.55.02G / ø 1/4"FF / ø 1.15 mm	RENEKA 9008954	LC - LIFE - PRESTIGE - VIVA



Photo	LF Code	Model	Suitable for	For machine model
1	1455067	9.0.55.02G / ø 1/4"FF / ø 1.15 mm	ROYAL 5032012	DIADEMA - SYNCHRO
1	1455060	9.0.93.02G / ø 1/4"FF / ø 1.15 mm	SAECO 11013052	AROMA
1	1455067	9.0.55.02G / ø 1/4"FF / ø 1.15 mm	SAN MARCO 108192	NEW 105 - 100 - 105 - 85 - 95
1	1455067	9.0.55.02G / ø 1/4"FF / ø 1.15 mm	SANREMO 10112131A	MILANO LX
1	1455067	9.0.55.02G / ø 1/4"FF / ø 1.15 mm	SCALA C-0215	BUTTERFLY - CARMEN - EROICA
1	1455067	9.0.55.02G / ø 1/4"FF / ø 1.15 mm	VIBIEMME ELETCONTVOLOT	CHIMAERA - CUBO - DOMOBARSUPER - DOSAPLUS - EVOLUTION
1	1455067	9.0.55.02G / ø 1/4"FF / ø 1.15 mm	VICTORIA ARDUINO 04900027	ADONIS - VENUS CENTURY
1	1455067	9.0.55.02G / ø 1/4"FF / ø 1.15 mm	WEGA WY18126	ATLAS - ATLAS 10 - COLOSSEUM - COMBI NOVA - CONCEPT
2	1455068	9.0.55.50G / ø 1/8"FF / ø 1.15 mm	BRASILIA 16054.2.00.08	ROMA
2	1455068	9.0.55.50G / ø 1/8"FF / ø 1.15 mm	CIMBALI 534-391-020	M20 - M21 JUNIOR - M22 - M27 - M27 START - M28 - M29
2	1455068	9.0.55.50G / ø 1/8"FF / ø 1.15 mm	FAEMA 534391020	E98 COMPACT
2	1455068	9.0.55.50G / ø 1/8"FF / ø 1.15 mm	FIAMMA RST 5.0.000.1012	ATLANTIC - MARINA - PRESTIGE
2	1455068	9.0.55.50G / ø 1/8"FF / ø 1.15 mm	PAVONI 438020	---
2	1455068	9.0.55.50G / ø 1/8"FF / ø 1.15 mm	SANREMO 10112290	AMALFI - CAPRI - PISA - TORINO - VERONA - ZOE
3	1455026	9.0.54.05G / ø 1/4"FF / ø 1.15 mm	FRACINO FC92	BAMBINO
3	1455026	9.0.54.05G / ø 1/4"FF / ø 1.15 mm	MARZOCCO LAD070	FB70 - FB80 - GB5 - GS3 - LINEA - MISTRAL
3	1455352	9.0.78.00G / ø 1/4"FF / ø 1.15 mm	PROMAC 34070050	CLUB - COMPACT - GREEN
3	1455352	9.0.78.00G / ø 1/4"FF / ø 1.15 mm	RANCILIO 34070050	CLASSE10 - CLASSE9 - EPOCA
4	1455001	9.0.69.03G / ø 1/4"FF / ø 1.15 mm	SPAZIALE 02498	NEW - RAPID - S1 - S2 - S3 - S40 - S5 - S8

WATER TANKS AND ACCESSORIES DELONGHI



1



2



3



4



5



6

Photo	LF Code	Suitable for	For machine model
1	1525003	DELONGHI 5332109000	ECOV310AZ - EC155 - EC300M
2	1080238	DELONGHI 5332159400	ECOV310AZ - EC155 - EC300M
3	1080235	DELONGHI 5313213291	ECAM26.455.C
4	1080236	DELONGHI 7313281259	ECOV310AZ
5	1080239	DELONGHI 7332186200	EC300M
6	1080237	DELONGHI 7332185900	EC155



Suitable for:

DELONGHI



Suitable for:

Lubricants

3180064 GLYCERINE SPRAY 100 ml
for the maintenance of automatic skimming
systems (IFD System)




















DELONGHI SER3014

The data herewith contained may change without notice and LF SpA cannot be held responsible for possible errors stated or resulting by the use of this document. All rights reserved. No part of this publication may be reproduced without written permission by LF SpA.



Distributing Components, Spare Parts & Accessories
in original quality worldwide

-
-  **LF SpA HEADQUARTERS**
via Voltri, 80 - 47522 Cesena (FC) ITALY
Tel. +39 0547 34 11 11 - Fax +39 0547 34 11 10
www.lfcomb724.it - www.lfcomb724.mobi - info@lfcomb.it
Export Dept.: Tel. +39 0547 34 11 50 - Fax: +39 0547 34 11 55
www.lfspareparts724.com - www.lfspareparts724.mobi
export@lfspareparts.com
 -  **OOO LF RUSSIAN FEDERATION**
Ul. Anatoliya Zhivova, 8 - office 1 - 123100 Moscow
Tel. +7 499 259 85 75
Fax +7 495 725 26 53
www.lfspareparts724.ru
www.lfspareparts724.mobi
info@lfspareparts.ru
 -  **EPGC Sas FRANCE**
13, Rue des Forts - 59960 Neuville en Ferrain
Tel. +33 (0)3 20 25 06 21
Fax +33 (0)3 20 25 34 12
www.epgc.com
www.epgc724.mobi
epgc@epgc.com
 -  **LF Repuestos Horeca S.L.U. SPAIN**
Calle Ciudad Real, 10 - 45517 Escalonilla - Toledo
Tel. +34 91 477 91 00
Fax +34 91 477 90 81
www.lfrepuestos-horeca724.es
www.lfrepuestos724.mobi
info@lfrepuestos.es
 -  **LF GmbH GERMANY**
Junkersstrasse, 1 - D-82178 Puchheim - München
Tel. +49 89 89 45 78 66
Fax +49 89 89 45 78 88
www.lfersatzteile724.de
www.lfersatzteile724.mobi
info@lfersatzteile.de
 -  **LF SpA Cesena (IT) Swiss Branch Steinhausen SWITZERLAND**
Sennweidstrasse, 45 - CH-6312 Steinhausen
Tel. +41 (0)41 760 15 80-1
Fax +41 (0)41 760 15 85
www.lfersatzteile724.ch
www.lfersatzteile724.mobi
info@lfersatzteile.ch
 -  **LF China REPUBLIC OF CHINA**
Room 403, No.2, Huadu Mansion, Lane 422, Huanghua Rd.
Minhang Dist. - 201103 Shanghai
Tel. +86 (0)21 33 53 66 31
Fax +86 (0)21 33 53 66 32
www.lfspareparts724.com
www.lfspareparts724.mobi
china@lfspareparts.com
 -  **LF Spare Parts Ltd. UNITED KINGDOM**
A10a Lakeside Business Park, Broadway Lane
South Cerney, Gloucestershire GL7 5XL
Tel. +44 (0)1285 86 16 25
Fax +44 (0)1285 86 39 49
www.lfspareparts724.co.uk
www.lfspareparts724.mobi
info@lfspareparts.co.uk
-
-  **AUSTRALIA AND NEW ZEALAND**
www.lfspareparts724.com
andrea.calvio@lfspareparts.com
 -  **DENMARK**
www.lfspareparts724.dk
michael.lenth@lfspareparts.com
 -  **AUSTRIA**
www.lfspareparts724.at
ludwig.neier@lfersatzteile.at
 -  **SOUTH KOREA**
www.lfspareparts724.com
fabio.doni@lfspareparts.com
 -  **BALKAN COUNTRIES**
www.lfspareparts724.com
matija.ramov@lfspareparts.com
 -  **TURKEY**
www.lfyedekparca724.com
basar.ergun@lfyedekparca.com
 -  **BALTIC COUNTRIES**
www.lfspareparts724.com
inara.silina@lfspareparts.com
 -  **USA AND CANADA**
www.lfspareparts724.us
sauro.dallaglio@lfspareparts.us
howard.truitt@lfspareparts.us
 -  **CENTRAL AND EASTERN EUROPE**
www.lfspareparts724.cz
jiri.kremla@lfspareparts.cz