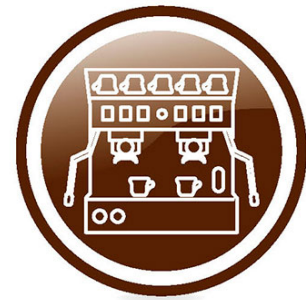




Spare parts for:

Espresso coffee machines



Suitable for:

FIORENZATO C.S.



This catalogue is automatically generated.
Therefore, the sequence of the items might
not be always shown at best.

Updates will be issued in case of additions
and/or amendments.

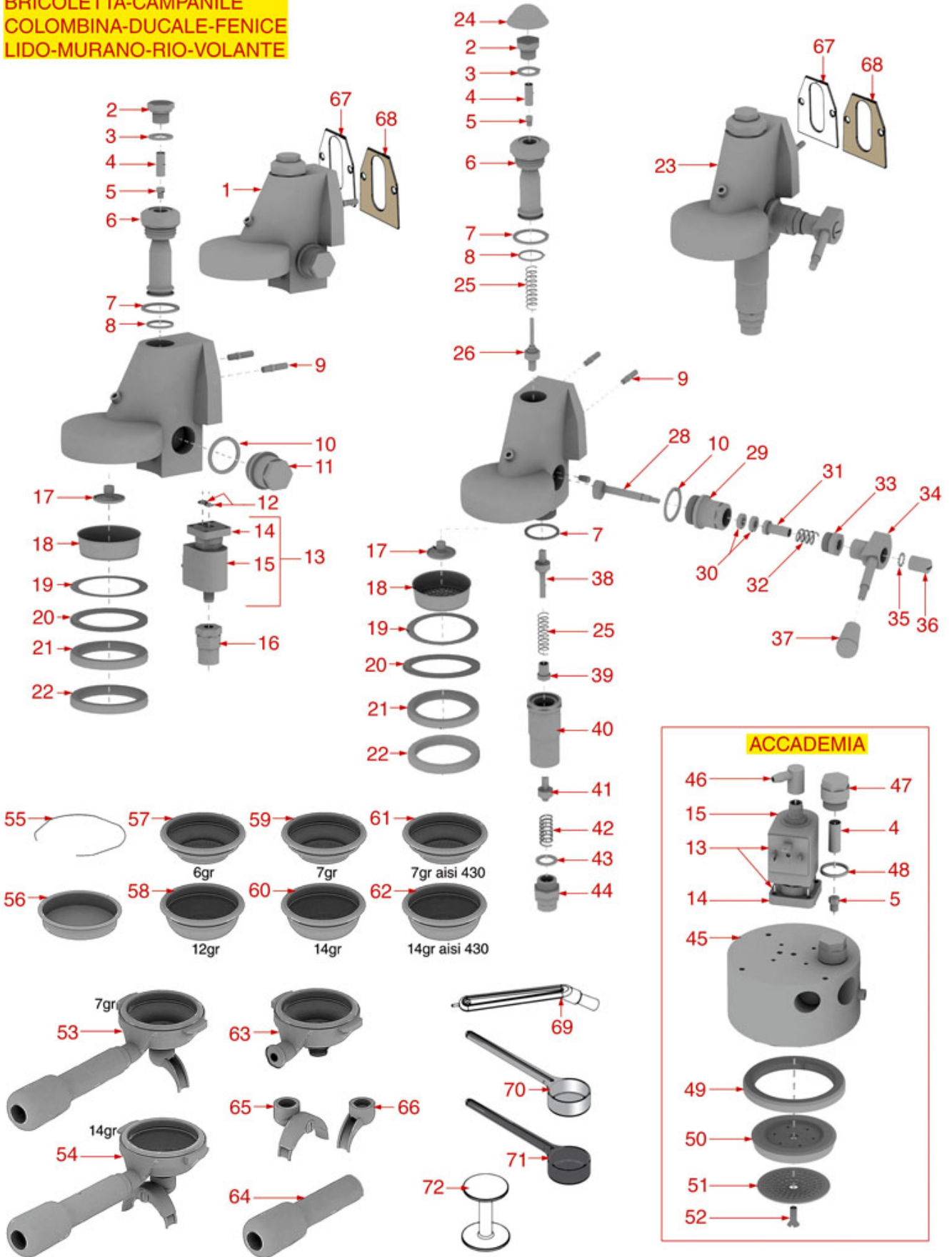
*Suitable **universal spare parts** may not be included*





AUTO AND LEVER COFFEE GROUP

BRICOLETTA-CAMPANILE
COLOMBINA-DUCALE-FENICE
LIDO-MURANO-RIO-VOLANTE





FIorenzato C.S.

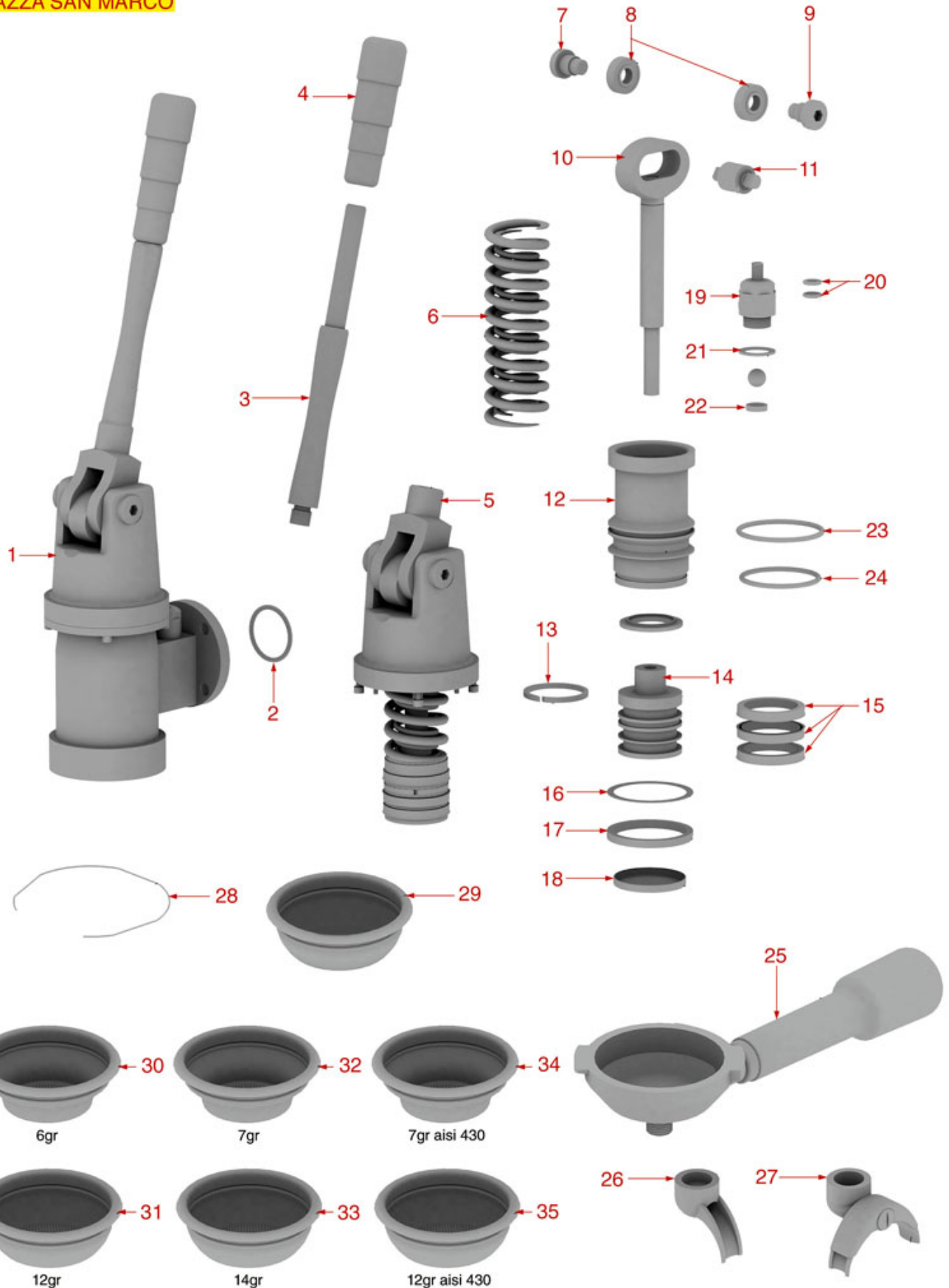


Pos.	LF code no.	Description	Pos.	LF code no.	Description
1	1192006	BREW GROUP E61	70	1069002	STAINLESS STEEL MEASURING SPOON 20 ml
2	1439001	CAP ø 16 mm FOR BREW GROUP	71	1069001	PLASTIC MEASURING SPOON 20 ml
3	1186326	PTFE FLAT GASKET ø 22x16x2 mm	72	1385002	NYLON COFFEE TAMPER ø 50/57 mm
4	1160517	WATER FILTER ø 8.5x22 mm			
5	1501522	NOZZLE M6x1 HOLE ø 0,75 mm			
6	1027016	UPPER CHROMIUM-PLATED SLEEVE			
7	1186307	PTFE FLAT GASKET ø 36x30x2 mm			
8	1186591	O-RING 0128 VITON			
10	1186307	PTFE FLAT GASKET ø 36x30x2 mm			
11	1439011	CHROMIUM-PLATED SIDE CAP			
12	1186611	O-RING 02025 RED SILICONE			
12	1186612	O-RING 02025 VITON			
13	1120330	3-WAY SOLENOID VALVE LUCIFER 240V 50Hz			
13	1120335	3-WAY SOLENOID VALVE PARKER 230V 50/60Hz			
14	1120334	3-WAY MECHANICAL COMPONENT LUCIFER			
14	1120339	3-WAY MECHANICAL COMPONENT PARKER			
15	1120332	COIL LUCIFER/PARKER 220/240V 9W 50Hz			
15	3120032	COIL PARKER ZB09 9W 220/240V 50/60Hz			
16	1349007	DRAIN CHROMIUM-PLATED FITTING			
17	1501561	GROUP SPRAY NOZZLE ø 30 mm M10x1			
18	1081016	SHOWER SCREEN ø 60 mm			
18	1081116	SHOWER SCREEN ø 60 mm			
18	1081216	SHOWER SCREEN ø 60 mm			
18	1081516	SHOWER ø 60 mm			
19	1190001	PAPER SHIM ø 73x59x0.8 mm			
20	1190002	RUBBER SHIM ø 73x59x1 mm EPDM			
21	1186723	FILTER HOLDER GASKET ø 73x57x8.5 mm			
22	1186721	FILTER HOLDER GASKET ø 74x57.5x8 mm			
22	1186722	FILTER HOLDER GASKET ø 73x57x8 mm			
23	1192001	LEVER BREW GROUP E61			
25	1250537	SPRING ø 14x45 mm			
26	1523451	COMPLETE SPOUT VALVE			
28	1324048	CAM ROD FOR COFFEE GROUP			
29	1349022	CAMS CHROMIUM-PLATED FITTING			
30	1186312	EPDM FLAT GASKET ø 15.5x7.5x4 mm			
31	1186313	CAM GUIDE BUSHING			
32	1250011	SPRING ø 14.6x21 mm RUBBERPIECE LOCKING			
33	1439533	STUFFING GLAND CHROME-PLATED FITTING			
34	1191022	CHROMIUM-PLATED CAM			
36	1225002	CHROMIUM-PLATED CAP M6			
37	1241401	KNOB M8x1			
38	1523452	COMPLETE DRAIN VALVE			
40	1027002	OUTLET CHROMIUM-PLATED SLEEVE			
41	1523453	COMPLETE DRAIN VALVE			
42	1250073	SPRING ø 14.5x32 mm			
47	1439532	CAP ø 3/8" M FOR BREW GROUP			
49	1186622	GASKET FILTER HOLDER ø 72x56x8 mm			
50	1086595	SHOWER HOLDER DIFFUSER			
51	1081007	SHOWER ø 51.5 mm			
53	1165040	1 CUP FILTER HOLDER ASSEMBLY FIORENZATO			
54	1165042	2 CUPS FILTER HOLDER ASSEMBLY FIORENZATO			
55	1250101	FILTER BLOCKING SPRING ø 1,00 mm INOX			
56	1160339	BLIND FILTER			
57	1160251	1 CUP FILTER 6 g			
58	1160252	2-CUP FILTER 12 GRAMS			
59	1160335	1 CUP FILTER 7 g			
60	1160337	2-CUP FILTER 14 GRAMS			
61	1160281	1-CUP FILTER 7 gr - BASIC QUALITY			
62	1160282	2-CUP FILTER 14 GRAMS - BASIC QUALITY			
63	1165022	FILTER HOLDER COFFEE MACHINES			
64	1241504	FILTER HOLDER HANDLE M12			
65	1022502	DOUBLE SPOUT ø 3/8"			
66	1022501	SINGLE SPOUT ø 3/8"			
67	1186508	COFFEE GROUP GASKET 77x73x2 mm			
68	1186384	COFFEE GROUP GASKET 80x70x2 mm			
69	1384001	BRUSH FOR COFFEE SHOWER			



LEVER BREW GROUP

PIAZZA SAN MARCO



FZCS0201

Positions without LF code no.: upon request



FIorenzato C.S.

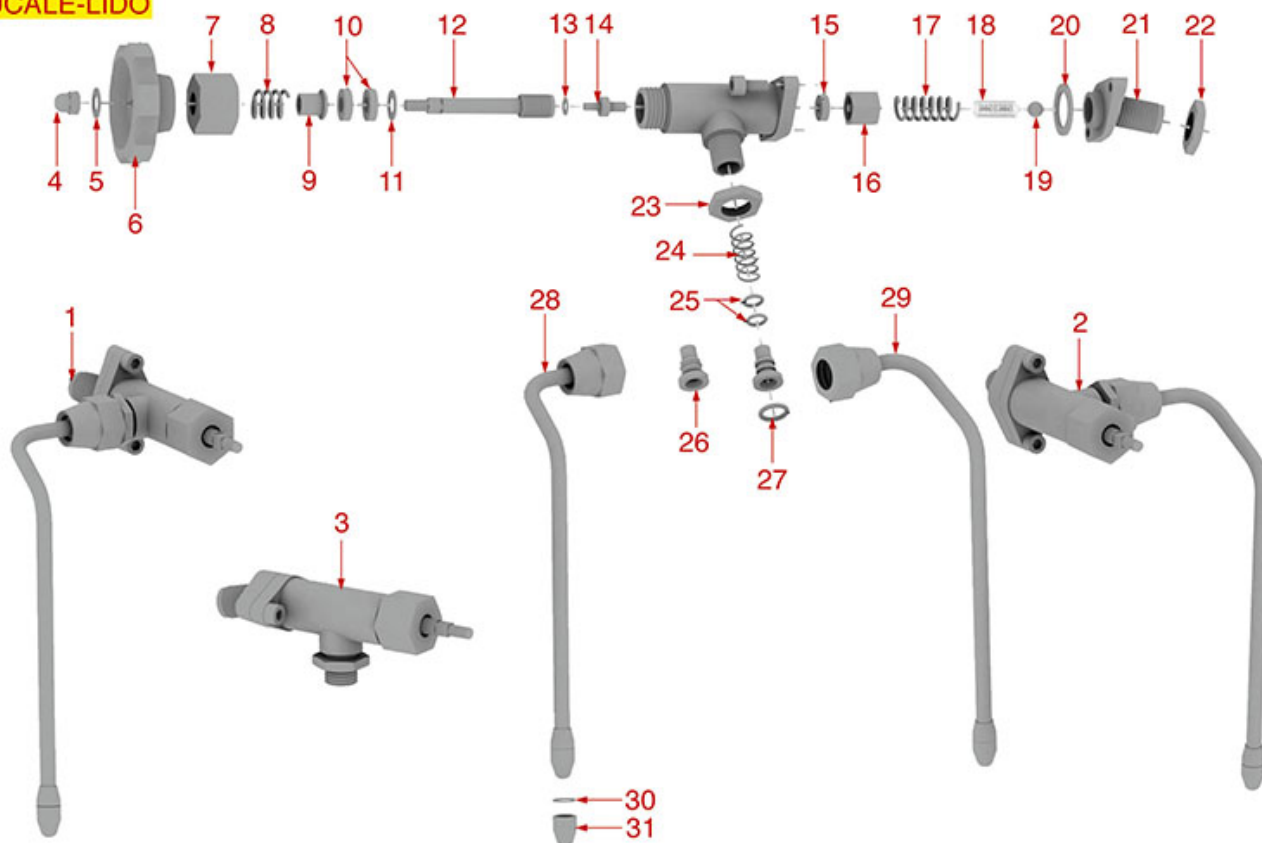


Position	LF code no.	Description
2	1186798	O-RING 0146 VITON
6	1250113	LEVER GROUP SPRING PAIR
8	1199062	BEARING 6001 ZZ NSK
13	1186800	FLAT GASKET \varnothing 50x44x4 mm PTFE
15	1186835	LIP GASKET \varnothing 51x40x7.3 mm
16	1190021	PAPER SEAL \varnothing 66x58x0.8 mm
18	1081003	SHOWER SCREEN \varnothing 57.5 mm
20	1186612	O-RING 02025 VITON
21	1186731	PTFE FLAT GASKET \varnothing 24x19x2 mm
22	1523404	NON-RETURN VALVE
23	1186199	O-RING 0162 EPDM
24	1186799	O-RING 04225 EPDM
25	5058712	FILTER HOLDER ASSEMBLY FIORENZATO C.S
26	1022501	SINGLE SPOUT \varnothing 3/8"
27	1022502	DOUBLE SPOUT \varnothing 3/8"
28	1250101	FILTER BLOCKING SPRING \varnothing 1,00 mm INOX
29	1160339	BLIND FILTER
30	1160251	1 CUP FILTER 6 g
31	1160252	2-CUP FILTER 12 GRAMS
32	1160335	1 CUP FILTER 7 g
33	1160337	2-CUP FILTER 14 GRAMS
34	1160281	1-CUP FILTER 7 gr - BASIC QUALITY
35	1160282	2-CUP FILTER 14 GRAMS - BASIC QUALITY

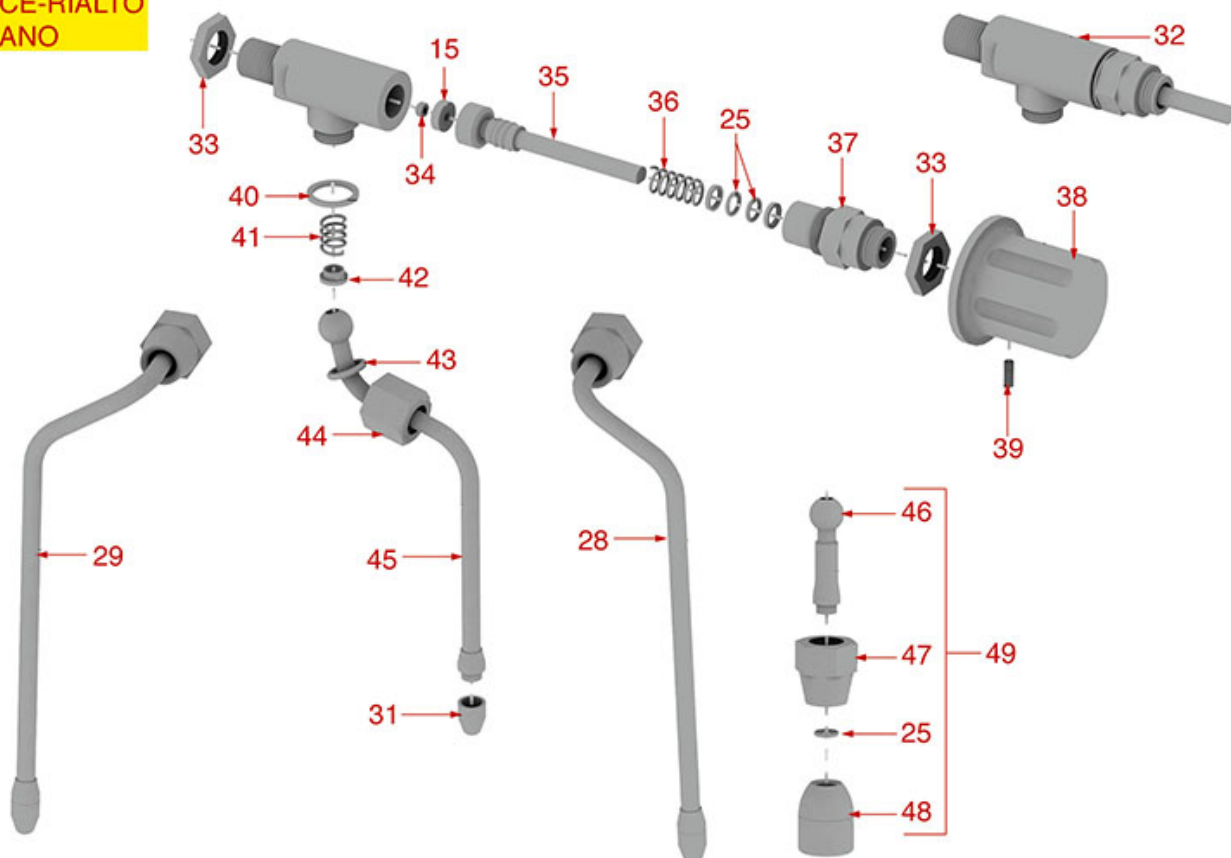


WATER/STEAM TAPS

DUCALE-LIDO



FENICE-RIALTO MURANO



FZCS0501



FIorenzato C.S.

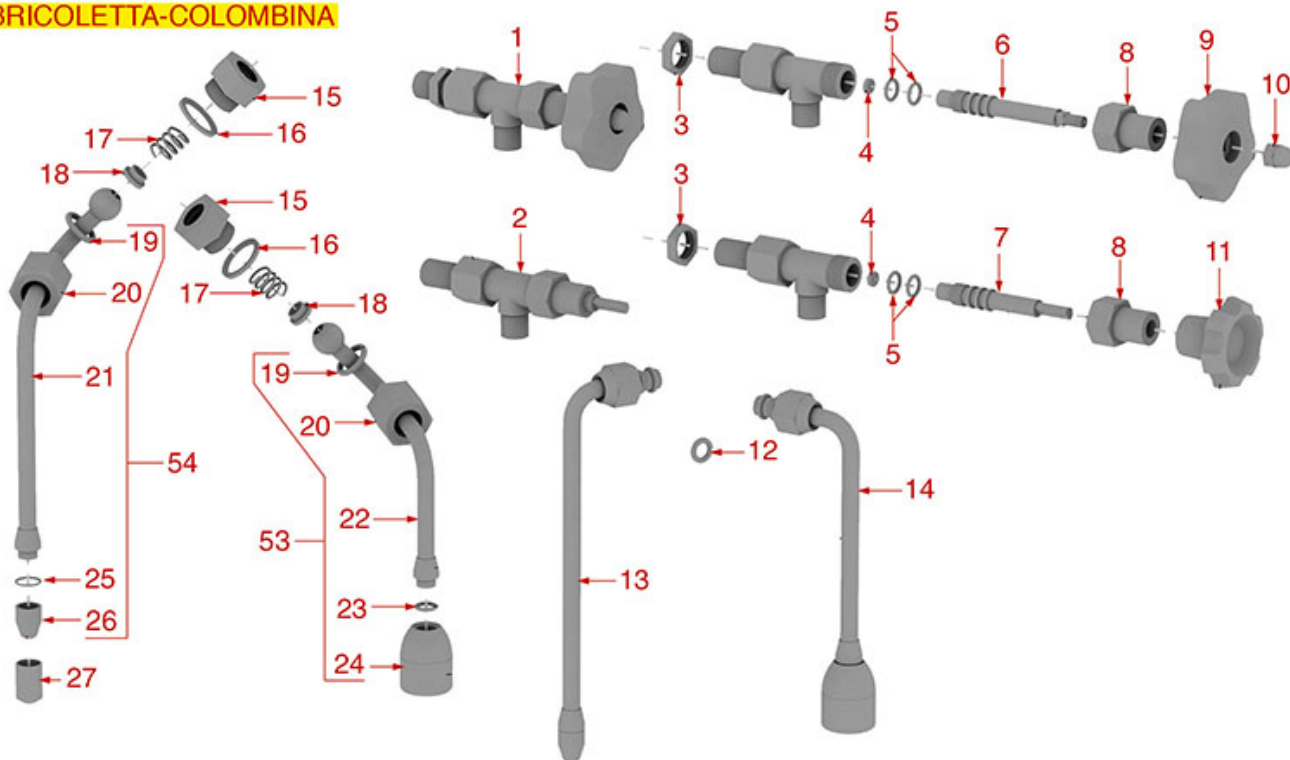


Position	LF code no.	Description
1	1548002	COMPLETE STEAM TAP
3	1348057	STEAM TAP
4	1528013	BLIND HEXAGONAL NUT M6
6	1241118	WATER/STEAM TAP KNOB \varnothing 60 mm
9	1186322	TAP ROD BUSHING
10	1186312	EPDM FLAT GASKET \varnothing 15.5x7.5x4 mm
15	1186311	NBR FLAT GASKET \varnothing 13x4x4 mm
20	1186731	PTFE FLAT GASKET \varnothing 24x19x2 mm
24	1250365	SPRING \varnothing 11.5x30 mm FOR TAP
25	1186556	O-RING R6 EPDM
26	1348213	STEAM PIPE BUSHING
27	1186318	O-RING 03043 EPDM
28	1449302	STEAM PIPE COMPLETE
29	1449301	STEAM PIPE COMPLETE
30	1186065	FLAT GASKET \varnothing 12x10x1 mm PTFE
31	1449394	STEAM NOZZLE M10x1 4 HOLES
32	1348211	STEAM TAP
35	1324124	SPINDLE WITH VALVE
38	1241333	STEAM TAP KNOB
40	1186201	GASKET FLAT PTFE \varnothing 21x16.8x2 mm
41	1250151	SPRING \varnothing 12x15 mm FOR STEAM PIPE
42	1186670	STEAM PIPE ARTICULATION BUSHING \varnothing 12x5mm
43	3060608	O-RING O3050 EPDM
44	1349521	PIPE ARTICULATION FITTING \varnothing 3/8"
45	1449393	STEAM PIPE COMPLETE
48	1449332	WATER PIPE NOZZLE
49	1449012	COMPLETE WATER PIPE

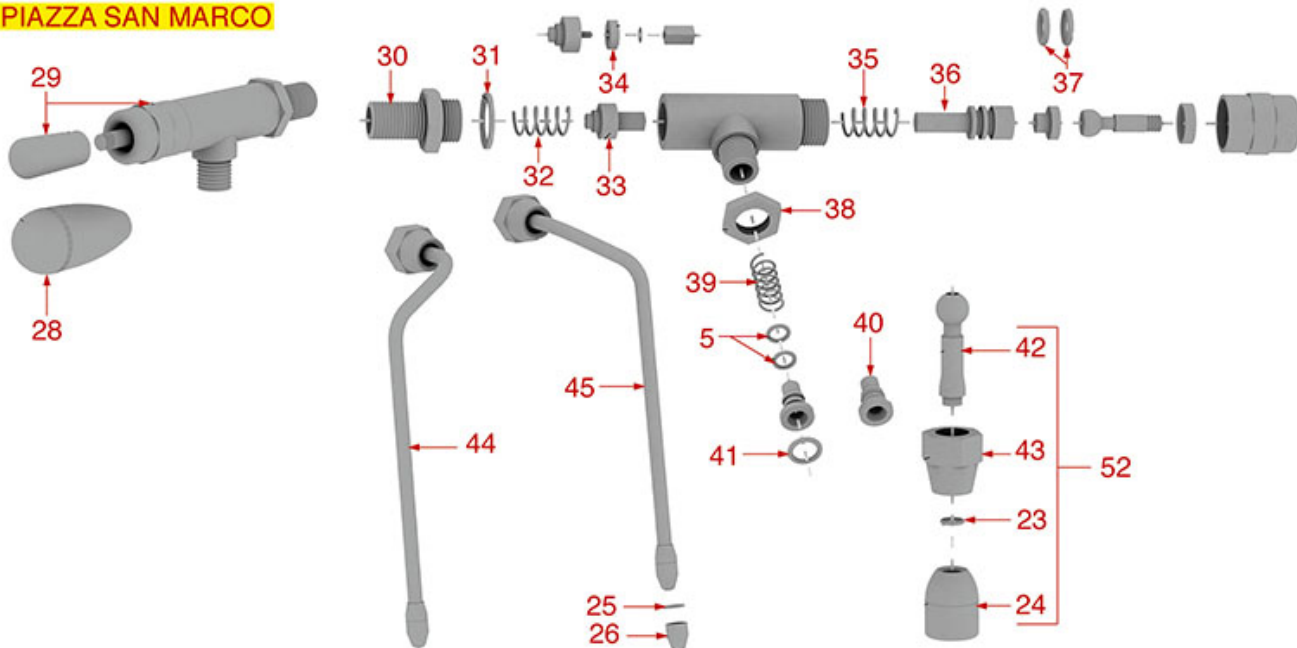


WATER/STEAM TAPS 2

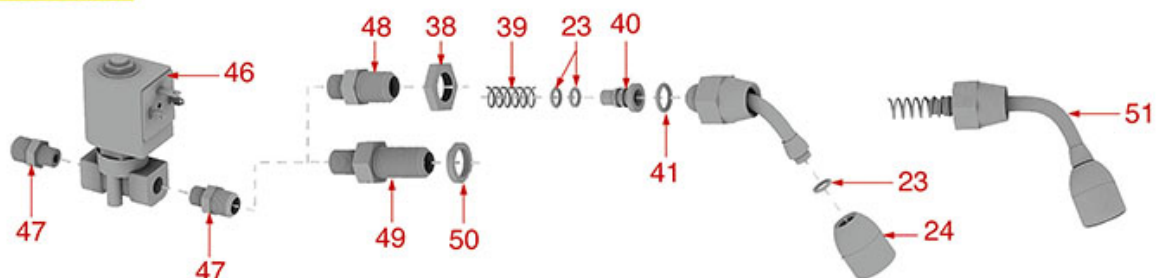
BRICOLETTA-COLOMBINA



PIAZZA SAN MARCO



FENICE-DUCALE



FZCS0601



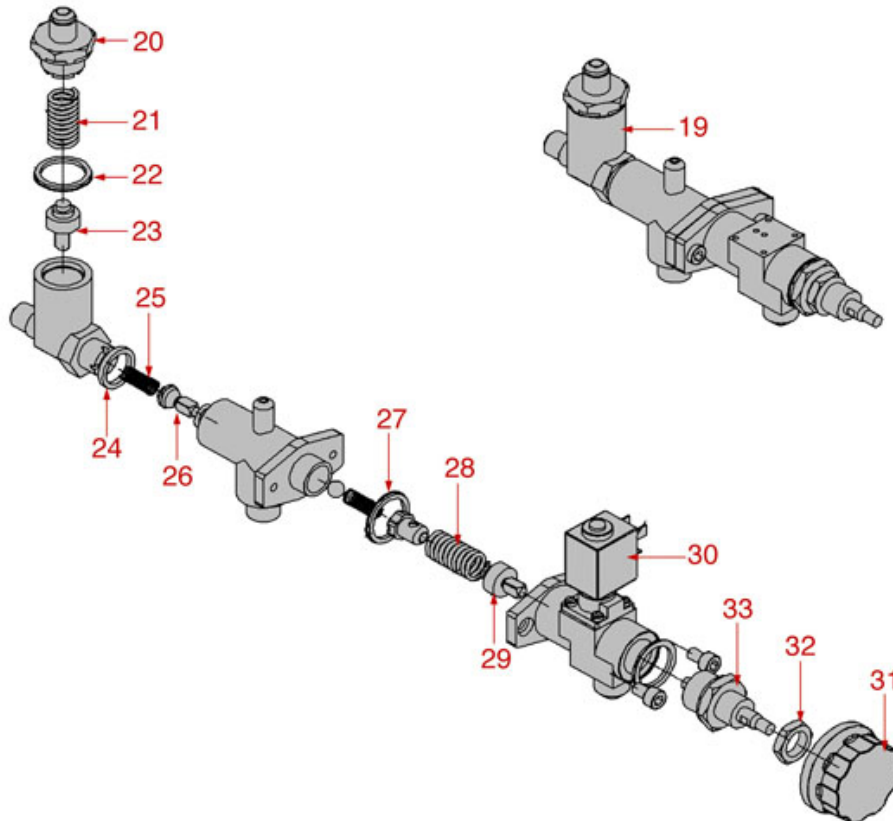
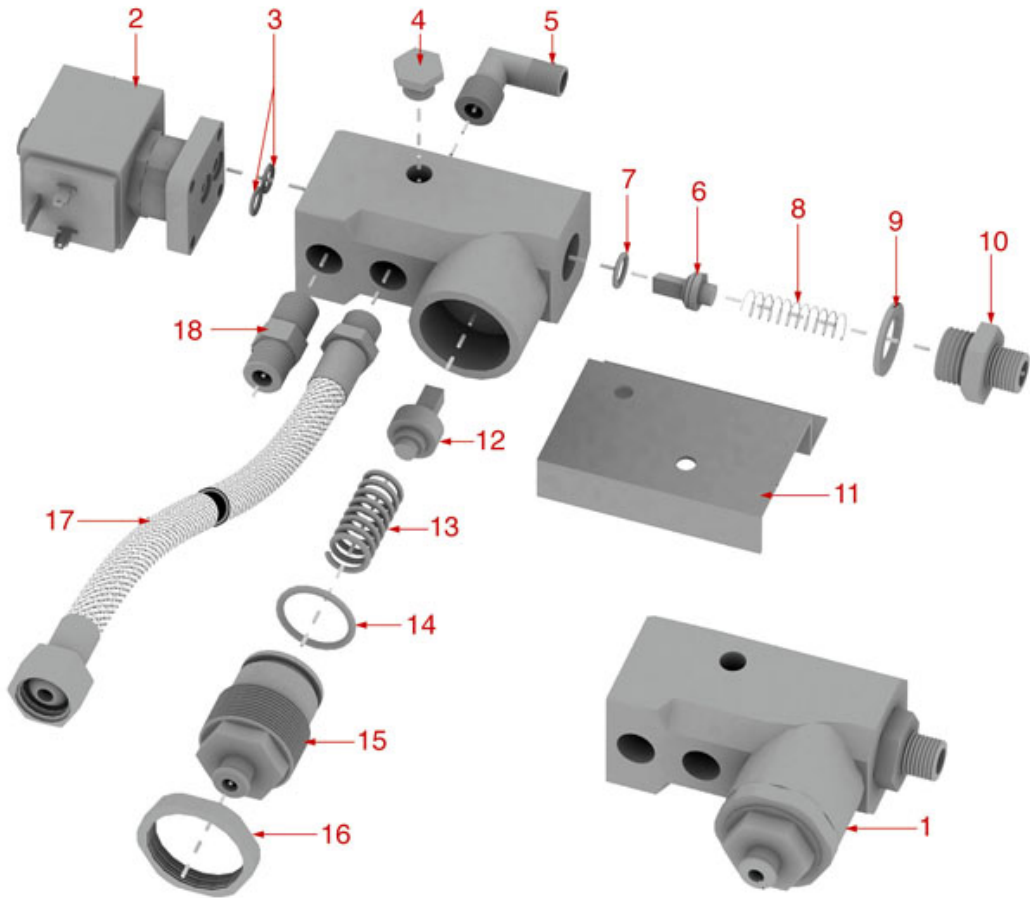
FIorenzato C.S.



Position	LF code no.	Description
2	1548001	COMPLETE STEAM TAP
4	1186834	BLIND GASKET \varnothing 7x2 mm PTFE
5	1186556	O-RING R6 EPDM
9	1241172	KNOB FOR WATER/STEAM TAP
10	1528013	BLIND HEXAGONAL NUT M6
12	1186612	O-RING 02025 VITON
16	1186201	GASKET FLAT PTFE \varnothing 21x16.8x2 mm
17	1250151	SPRING \varnothing 12x15 mm FOR STEAM PIPE
18	1186670	STEAM PIPE ARTICULATION BUSHING \varnothing 12x5mm
19	3060608	O-RING O3050 EPDM
20	1349521	PIPE ARTICULATION FITTING \varnothing 3/8"
21	1549016	COMPLETE CHROME-PLATED STEAM PIPE
22	1549014	COMPLETE CHROME-PLATED WATER PIPE
23	1186556	O-RING R6 EPDM
24	1449332	WATER PIPE NOZZLE
25	1186065	FLAT GASKET \varnothing 12x10x1 mm PTFE
26	1449394	STEAM NOZZLE M10x1 4 HOLES
31	1186118	PTFE FLAT GASKET \varnothing 26x19x2 mm
33	1523075	GASKET HOLDER FOR TAP
34	1186311	NBR FLAT GASKET \varnothing 13x4x4 mm
37	1186318	O-RING 03043 EPDM
39	1250365	SPRING \varnothing 11.5x30 mm FOR TAP
40	1348213	STEAM PIPE BUSHING
41	1186318	O-RING 03043 EPDM
44	1449301	STEAM PIPE COMPLETE
45	1449302	STEAM PIPE COMPLETE
46	1120460	2-WAY SOLENOID VALVE LUCIFER 240V 50Hz
47	1349111	FITTING \varnothing 1/8"M 1/4"M
48	1349112	FITTING \varnothing 1/4"M-3/8"M
51	1449304	COMPLETE WATER PIPE
52	1449012	COMPLETE WATER PIPE
53	1549014	COMPLETE CHROME-PLATED WATER PIPE
54	1549016	COMPLETE CHROME-PLATED STEAM PIPE



INLET TAPS



FZCS1001



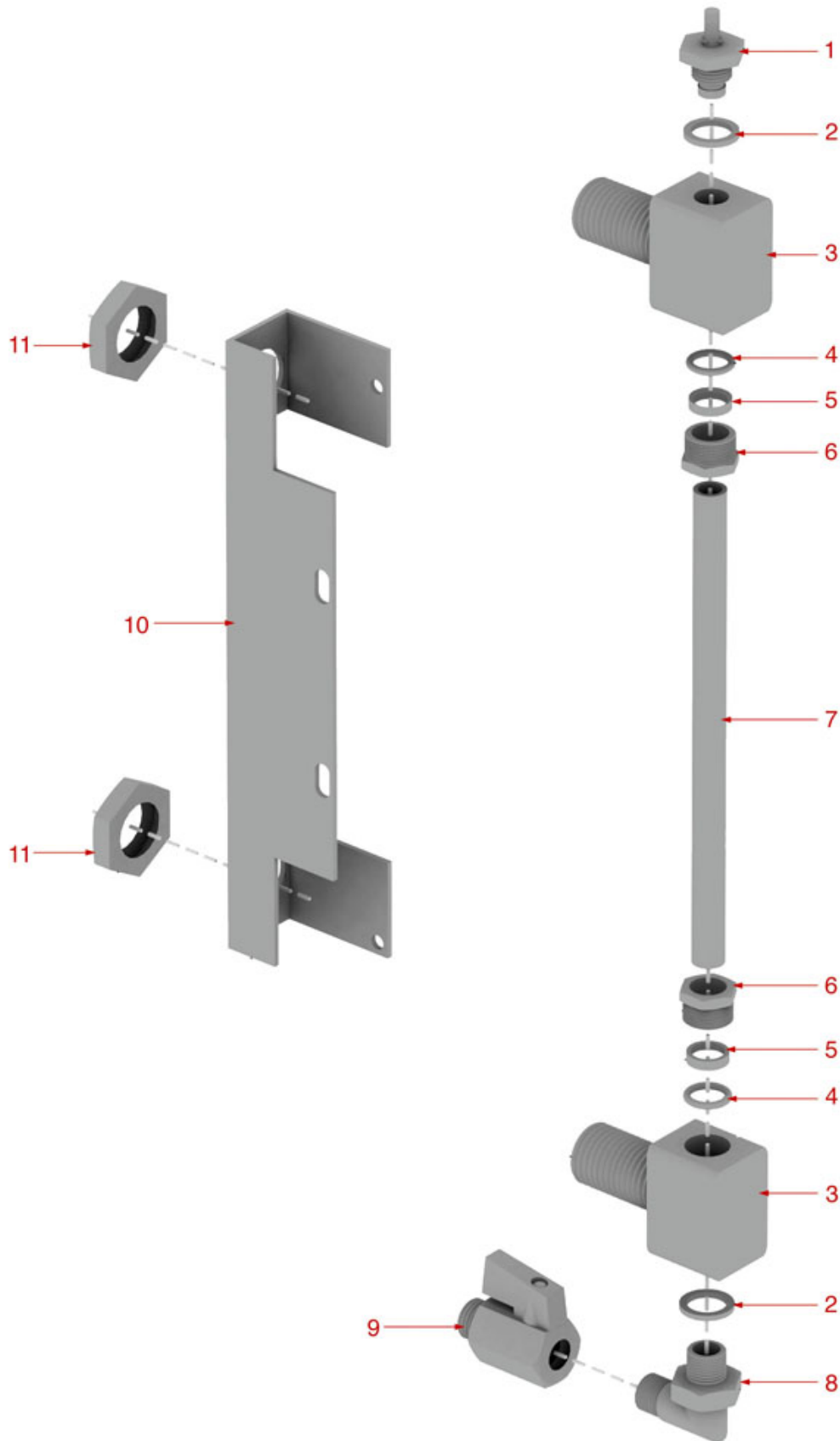
FIorenzato C.S.



Position	LF code no.	Description
1	1358001	WATER INLET TAP
2	1120331	2-WAY SOLENOID VALVE LUCIFER 240V 50Hz
3	1186612	O-RING 02025 VITON
6	1523437	NON-RETURN VALVE
9	1186326	PTFE FLAT GASKET \varnothing 22x16x2 mm
12	1523412	INLET VALVE
18	1349102	FITTING \varnothing 1/4"M-1/4"M
19	1348210	WATER INLET TAP
21	1250073	SPRING \varnothing 14.5x32 mm
22	1186117	PTFE FLAT GASKET \varnothing 26x21x2 mm
23	1523453	COMPLETE DRAIN VALVE
24	1186326	PTFE FLAT GASKET \varnothing 22x16x2 mm
25	1250071	NON-RETURN VALVE SPRING \varnothing 8x32 mm
26	1523437	NON-RETURN VALVE
27	1186118	PTFE FLAT GASKET \varnothing 26x19x2 mm
29	1523412	INLET VALVE



LEVEL



FZCS1501

Positions without LF code no.: upon request



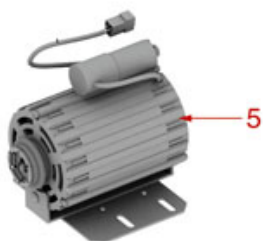
FIORENZATO C.S.



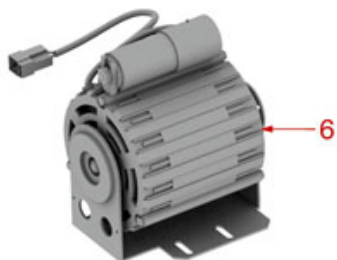
Position	LF code no.	Description
1	1523534	BOILER VALVE \varnothing 1/4"M
2	1186404	PTFE FLAT GASKET \varnothing 18x13x2 mm
4	1186318	O-RING 03043 EPDM
5	1186448	STUFFING GLAND RING \varnothing 14.5x11.5x3.5 mm
7	1520511	LEVEL GLASS \varnothing 11x170 mm
9	3526699	BALL VALVE \varnothing 1/4" MF



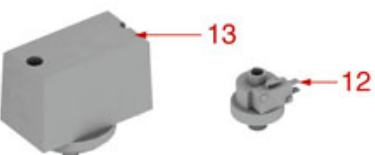
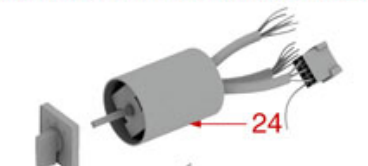
ELECTRICAL PARTS



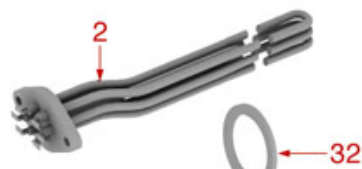
DUCALE LEVETTA 1GR
DUCALE PULSANTE 1GR
DUCALE ELETTRONICA 1GR
ACCADEMIA PULSANTE 2GR
ACCADEMIA ELETTRONICA 2GR



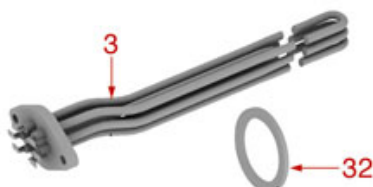
DUCALE LEVETTA 2GR-3GR
DUCALE PULSANTE 2GR-3GR
DUCALE ELETTRONICA 2GR-3GR
FENICE PULSANTE 2GR-3GR
FENICE ELETTRONICA 2GR-3GR
RIALTO PULSANTE 2GR-3GR
RIALTO ELETTRONICA 2GR-3GR
MURANO ELETTRONICA 2GR-3GR



DUCALE LEVETTA 1GR
DUCALE PULSANTE 1GR
DUCALE ELETTRONICA 1GR



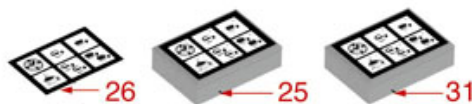
DUCALE LEVETTA 2GR
DUCALE PULSANTE 2GR
DUCALE ELETTRONICA 2GR
FENICE PULSANTE 2GR-3GR
FENICE ELETTRONICA 2GR
RIALTO PULSANTE 2GR
RIALTO ELETTRONICA 2GR
MURANO ELETTRONICA 2GR



DUCALE LEVETTA 3GR
DUCALE PULSANTE 3GR
DUCALE ELETTRONICA 3GR
FENICE ELETTRONICA 3GR
RIALTO PULSANTE 3GR
RIALTO ELETTRONICA 3GR
MURANO ELETTRONICA 3GR



ACCADEMIA PULSANTE 2GR
ACCADEMIA ELETTRONICA 2GR



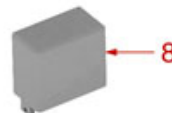
DUCALE ELETTRONICA 1GR-2GR-3GR
RIALTO ELETTRONICA 2GR-3GR
ACCADEMIA ELETTRONICA 2GR



FENICE ELETTRONICA 2GR-3GR
MURANO ELETTRONICA 2GR-3GR



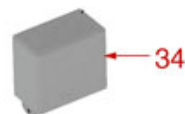
DUCALE LEVETTA 1GR
DUCALE PULSANTE 1GR
DUCALE ELETTRONICA 1GR



DUCALE LEVETTA 2GR-3GR
DUCALE PULSANTE 2GR-3GR
FENICE PULSANTE 2GR-3GR
RIALTO PULSANTE 2GR-3GR



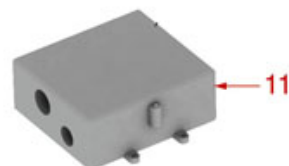
DUCALE PULSANTE 2GR COMP



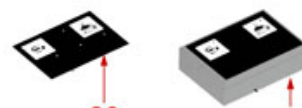
BRICOLETTA
COLOMBINA



DUCALE ELETTRONICA 2GR
ACCADEMIA PULSANTE 2GR
ACCADEMIA ELETTRONICA 2GR



DUCALE ELETTRONICA 2GR-3GR
FENICE ELETTRONICA 2GR-3GR
RIALTO ELETTRONICA 2GR-3GR
MURANO ELETTRONICA 2GR-3GR



ACCADEMIA PULSANTE 2GR



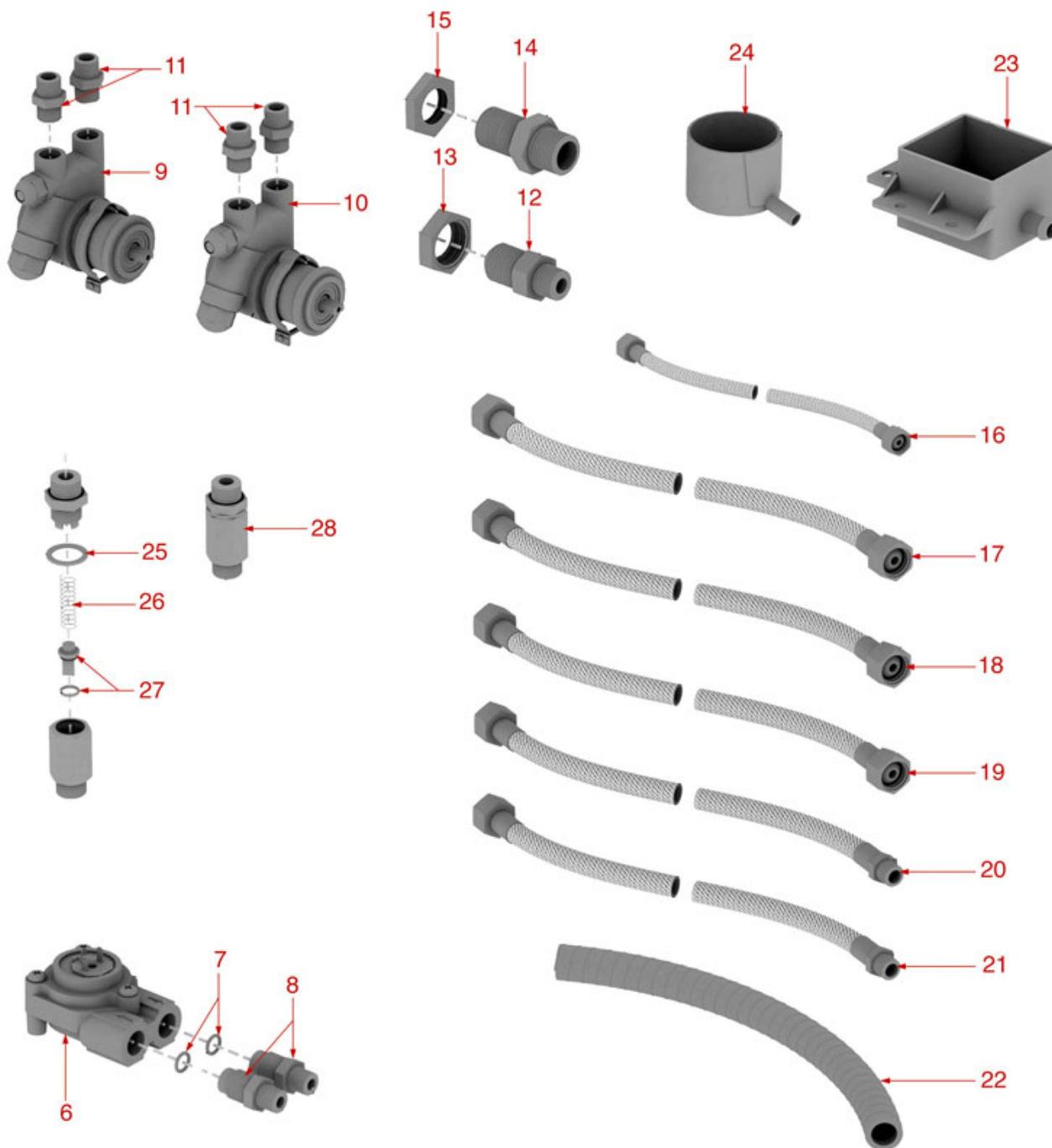
FIorenzato C.S.



Position	LF code no.	Description
1	1755127	HEATING ELEMENT 2700W 230V
2	1755011	HEATING ELEMENT 3500W 230V
3	1755012	HEATING ELEMENT 4000W 230V
5	1240072	MOTOR IPC 150W 230V 1.2A 50/60Hz 6 µf
8	1341015	LEVEL REGULATOR 230/240V 50/60Hz 8A
11	1054025	DOSER CONTROL BOX 2-3 GROUPS 230V
12	1320003	PRESSURE SWITCH XP110 125 0.5-1.2 BAR 1/
13	1320531	PRESSURE SWITCH P302/6 3-POLES 30A
13	1320541	PRESSURE SWITCH PARKER
14	1803001	MICROSWITCH 16A 250V
15	1443013	CONTACT THERMOSTAT 152°C M4
16	1319271	RED BIPOLAR SWITCH 16A 250V
17	3319252	SWTCH 2-POLE BLACK 16A 250V
18	3319296	BLACK BIPOLAR SWITCH 16A 250V
19	1319463	BLACK BIPOLAR PUSH BUTTON 16A 250V
20	1319464	ORANGE BIPOLAR SWITCH 16A 250V
21	3221220	INDICATOR LAMP RED 230V
22	3221091	GREEN INDICATOR LAMP 230V
23	3221095	ORANGE INDICATOR LAMP 230V
23	3221132	GREEN INDICATOR LAMP 230V
24	1057020	SELECTOR SWITCH 0-2 POSITIONS 25A 600V
25	1319272	PUSH-BUTTON PANEL 6 BUTTONS
27	1319462	PUSH-BUTTON PANEL MEMBRANE 6 BUTTONS
31	1319583	PUSH-BUTTON PANEL 6 BUTTONS
32	1186606	FLAT CARBO GASKET ø 57x43x3 mm
34	1341017	LEVEL REGULATOR 230/240V 50/60Hz



PRESSURE GAUGES AND HYDRAULIC PARTS



FZCS2501

Positions without LF code no.: upon request



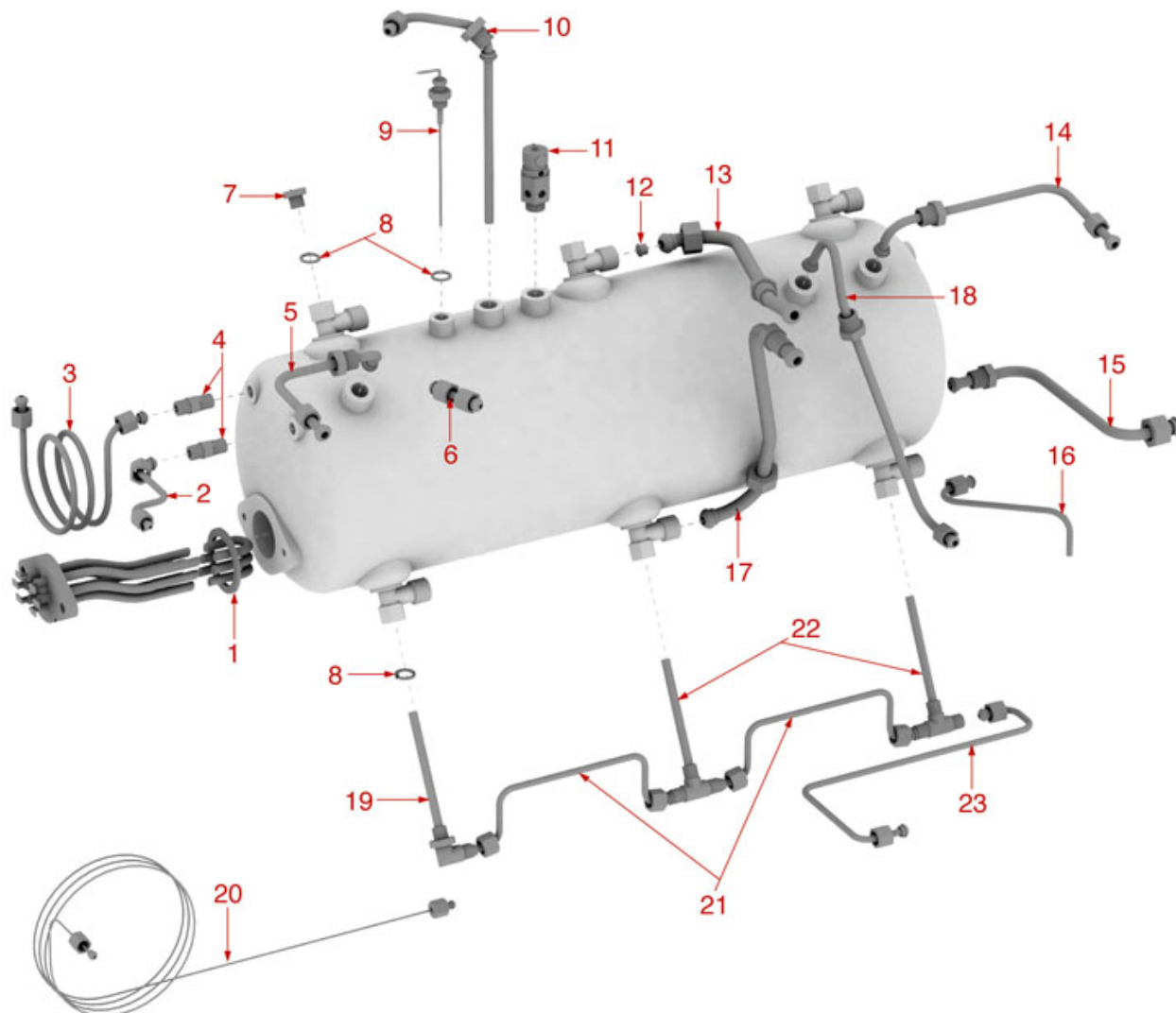
FIorenzato C.S.



Position	LF code no.	Description
2	1445555	BOILER-PUMP PRESSURE GAUGE ø 60 mm
3	1445558	BOILER-PUMP PRESSURE GAUGE ø 63 mm
4	1245554	BOILER PRESSURE GAUGE ø 52 mm 0÷3 bar
5	1245553	PUMP PRESSURE GAUGE ø 52 mm 0÷16 bar
6	1455067	VOLUMETRIC FLOWMETER GICAR
7	1186612	O-RING 02025 VITON
11	1349100	PUMP CONNECTION ø 3/8" CONIC-3/8" STRAIGH
12	1349112	FITTING ø 1/4"M-3/8"M
13	1349522	TAP FITTING ø 3/8"
14	1349103	FITTING ø 3/8"M-3/8"M
17	1449705	FLEX HOSE ø 3/8" Fc x Fc 750 mm
18	1449722	FLEX HOSE ø 3/8" Fc x Fc 500 mm
22	1449672	DRAIN PIPE ELISPIR ø 16x23 mm - 5 m
23	1527511	DRAIN TUB
24	1527042	DRAIN TANK
26	1250071	NON-RETURN VALVE SPRING ø 8x32 mm
27	1523437	NON-RETURN VALVE
28	1523701	NON-RETURN VALVE ø 3/8"M-3/8"M



BOILER



24
 1
 DUCALE LEVETTA 1GR
 DUCALE PULSANTE 1GR
 DUCALE ELETTRONICA 1GR

26
 1
 DUCALE LEVETTA 3GR
 DUCALE PULSANTE 3GR
 DUCALE ELETTRONICA 3GR
 FENICE ELETTRONICA 3GR
 RIALTO PULSANTE 3GR
 RIALTO ELETTRONICA 3GR
 MURANO ELETTRONICA 3GR

25
 1
 DUCALE LEVETTA 2GR
 DUCALE PULSANTE 2GR
 DUCALE ELETTRONICA 2GR
 FENICE PULSANTE 2GR-3GR
 FENICE ELETTRONICA 2GR
 RIALTO PULSANTE 2GR
 RIALTO ELETTRONICA 2GR
 MURANO ELETTRONICA 2GR

27
 28
 ACCADEMIA PULSANTE 2GR
 ACCADEMIA ELETTRONICA 2GR



FIorenzato C.S.



Position	LF code no.	Description
1	1186606	FLAT CARBO GASKET \varnothing 57x43x3 mm
4	1349102	FITTING \varnothing 1/4"M-1/4"M
8	1186404	PTFE FLAT GASKET \varnothing 18x13x2 mm
9	1341752	LEVEL PROBE \varnothing 1/4"M-148 mm
11	1515100	BOILER VALVE \varnothing 3/8"M 1.8bar CE-PED
13	1449124	UPPER GROUP-BOILER PIPE
19	1449123	INJECTION PIPE \varnothing 1/4"M
24	1755127	HEATING ELEMENT 2700W 230V
25	1755011	HEATING ELEMENT 3500W 230V
26	1755012	HEATING ELEMENT 4000W 230V
28	1186606	FLAT CARBO GASKET \varnothing 57x43x3 mm



FIorenzato C.S.



Photo	LF Code	Dimensions (mm)	Suitable for
1	1520007	∅ 9x132	GAGGIA S453101 - PAVONI 453101
1	1520005	∅ 9x147	ELEKTRA 00141035
1	1520562	∅ 11x108	QUALITY ESPRESSO 08181703
1	1520541	∅ 11x119	MAIRALI
1	1520506	∅ 11x170	ASTORIA/CMA 21300 - MCE 21300 - WEGA WY21300
1	1520576	∅ 11x184	CONTI 4500
1	1520518	∅ 12x112	NUOVA SIMONELLI 09000009 - VICTORIA ARDUINO 09000009
1	1520526	∅ 12x117	CIMBALI 439-034-000
1	1520532	∅ 12x130	CARIMALI 62.00006 - FAEMA 4861117546
1	1520561	∅ 12x140	RANCILIO 41010010
1	1520501	∅ 12x175	BRUGNETTI/AURORA 000319 - FAEMA - QUALITY ESPRESSO
1	1520543	∅ 13x210	MARCFI-ANCAS
1	1520001	∅ 15x115	SAN MARCO 206910
2	1201061	∅ 10x120	BEZZERA 5430505
2	1201051	∅ 10x190	VICTORIA ARDUINO 40900002
2	1520004	∅ 11x55	GAGGIA LV0536
2	1201053	∅ 11x95	GAGGIA LV0541
2	1201060	∅ 11x140	FRACINO FC181
2	1520580	∅ 11x145	CONTI
2	1520006	∅ 11x154	ASTORIA/CMA 21300001 - SCALA C-0260
2	5025546	∅ 11x160	GAGGIA LV0536
2	1520511	∅ 11x170	ASTORIA/CMA 56001 - FIorenzato A1400008 - WEGA WY56001
2	1520400	∅ 12x106	GAGGIA WGA4001060000 - PAVONI 453110
2	1520556	∅ 12x115	FAEMA - PAVONI 453100
2	1520516	∅ 12x135	BEZZERA 5430504 - CIMBALI - NUOVA SIMONELLI 09000010
2	1520542	∅ 13x114	MARCFI-ANCAS
2	1520008	∅ 13x125	MARCFI-ANCAS BL-5131
2	1201024	∅ 13x138	AZKOYEN
2	1520579	∅ 22x55	UNIC
2	1520566	∅ 30x110	SAN MARCO 104002
3	1201054	∅ 11x140	BIANCHI 05256515
4	1520522	∅ 11x135	BRASILIA 00787.0.00.02
4	1520100	∅ 11x140	GAGGIA LV0524 - GRIMAC GR270 - SANREMO 10402100
4	1520546	∅ 11x140	BFC/ROYAL 4580010 - VIBIEMME MATECVELI140
5	1520571	∅ 11x150	SPAZIALE 00268
5	1520572	∅ 11x150	SPAZIALE 00267
5	1520534	∅ 12x106	FAEMA 4861117546
5	1201058	∅ 11x135	FIAMMA 5.0.000.1017
6	1449877	∅ 10x107	RANCILIO 38228066 - PROMAC 38228066



FIorenzato C.S.



UNIVERSAL SPOUTS



Photo	LF Code	Connection (\varnothing)
1	1022501	3/8
2	1022504	3/8
3	1022503	3/8
4	5031337	3/8

UNIVERSAL SPOUTS



Photo	LF Code	Connection (\varnothing)
1	1022502	3/8
2	1022521	3/8
3	1022523	3/8
4	1022522	3/8
5	1022551	3/8

"PRECISION" SHOWER SCREENS FIORENZATO CS

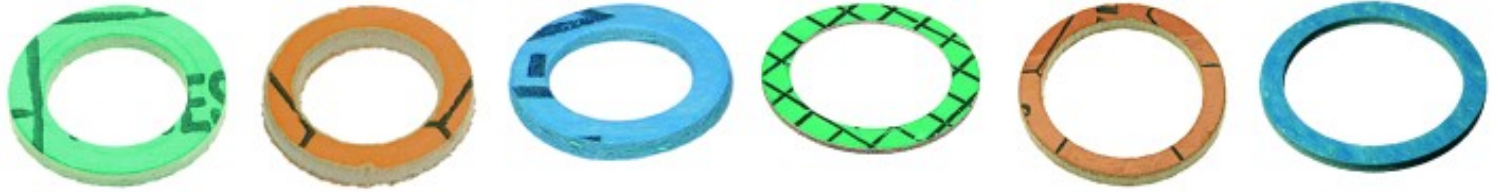


Photo	LF Code	Dimensions	Membrane	Suitable for	For machine model
1	1460200	\varnothing 51.5 mm	200 μ M	FIorenzato CS	VENEZIA
2	1460205	\varnothing 51.5 mm	35 μ M	FIorenzato CS	VENEZIA
3	1081400	\varnothing 51.5 mm	200 μ M PTFE	FIorenzato CS	VENEZIA
4	1460201	\varnothing 60.0 mm	200 μ M	FIorenzato CS	BRICOLETTA - COLOMBINA - DUCALE - FENICE - LIDO
5	1460206	\varnothing 60.0 mm	35 μ M	FIorenzato CS	BRICOLETTA - COLOMBINA - DUCALE - FENICE - LIDO
6	1081401	\varnothing 60.0 mm	200 μ M PTFE	FIorenzato CS	BRICOLETTA - COLOMBINA - DUCALE - FENICE - LIDO

Docce progettate per ottenere la perfetta estrazione del caffè , acciaio Aisi 316 , certificate alimentare



ASBESTOS FREE FLAT GASKETS



LF Code	Dimensions	Notes
1186042	∅ 9x5x1 mm	---
3186341	∅ 9x6x1 mm	---
3786349	∅ 14x9x2 mm	---
1186041	∅ 14.5x10x2 mm	---
1186148	∅ 15x7x2 mm	---
3186172	∅ 15x9x2 mm	---
1186112	∅ 15x10x1 mm	---
1186437	∅ 16x12x2 mm	---
1186039	∅ 17x13x2 mm	---
1186784	∅ 17.5x13x2 mm	---
3786543	∅ 18x12x1 mm	---
3786562	∅ 18x12x2 mm	---
3786350	∅ 18x12x2 mm	---
3186237	∅ 19x11x2 mm	---
1186394	∅ 22x17x2 mm	---
1186149	∅ 22x18x2 mm	---
1186368	∅ 23.5x20x1 mm	---
3786351	∅ 24x16x2 mm	---
3186575	∅ 25x12x2 mm	---
1186340	∅ 26x20x2 mm	---
1186183	∅ 29x16.5x2 mm	---
1186136	∅ 29x22x2 mm	---
3186138	∅ 30x21x2 mm	---
1186124	∅ 30x24x2 mm	---
3186005	∅ 32x26x3 mm	---
1186141	∅ 34x26.5x2 mm	---
1186757	∅ 36x30x2 mm	---
3186009	∅ 45x33x2 mm	---
1186125	∅ 50x38x4 mm	---
1186156	∅ 50x40x2 mm	FOR HEATING ELEMENTS BOOSTED - PER RESISTENZE BOOSTED
1786227	∅ 54x40x1.5 mm	---
3186010	∅ 54x42x2 mm	FOR HEATING ELEMENTS ∅ 1"1/4 - PER RESISTENZE ∅ 1"1/4
3786374	∅ 57x45x1.5 mm	---
3186242	∅ 61x46x2 mm	---
1186636	∅ 62x51x2 mm	FOR HEATING ELEMENTS - PER RESISTENZE
3186012	∅ 80x60x2 mm	---
3786471	∅ 90x77x2 mm	---

BALL VALVES



Photo	LF Code	Connections	Suitable for	For machine model
1	3526706	∅ 1/8"FF	UNIVERSAL	---
1	3526698	∅ 1/4"FF	BEZZERA 7451501	BZ35 - BZ40 - B2000 - B2013 - B3000 - B4000 - B6000
1	3526698	∅ 1/4"FF	SPAZIALE 08103	S5 COMPACT - S8 COMPACT - S9 COMPACT
1	3526702	∅ 3/8"FF	UNIVERSAL	---
1	3526703	∅ 1/2"FF	UNIVERSAL	---
1	3526707	∅ 3/4"FF	UNIVERSAL	---
2	3526697	∅ 1/8"MF	SAN MARCO 202241	NEW 105 - 100 - 105 - 85 - 95
2	3526699	∅ 1/4"MF	MANY BRANDS - MOLTI MARCHI	SEVERAL APPLICATIONS - MOLTE APPLICAZIONI
2	3526244	∅ 1/4"M-1/8"F	SAN MARCO 202244	95 - 105
2	3526704	∅ 3/8"MF	MARZOCCO L164	FB70 - FB80 - GB5 - GS3 - LINEA - MISTRAL
2	3526704	∅ 3/8"MF	NUOVA SIMONELLI 09000016	APPPIA - AURELIA - PREMIER
2	3526704	∅ 3/8"MF	VICTORIA ARDUINO 09000016	ADONIS - ATHENA - ATHENA LEVA
2	3526705	∅ 1/2"MF	UNIVERSAL	---
3	1525002	∅ 1/4"M-1/4"F	ASTORIA/CMA 20227003	PLUS4YOU
3	1525002	∅ 1/4"M-1/4"F	WEGA WY20227003	CONCEPT

BOILER GASKETS FIORENZATO CS



1

Photo	LF Code	Dimensions	Material	Suitable for	For machine model
1	1186526	∅ 205x150x3 mm - 10 HOLES	PTFE	FIORENZATO A1200017	MURANO

BOILER SAFETY VALVES



1

2

Photo	LF Code	Technical notes	Suitable for
1	1515100	∅ 3/8"M 1.8 bar CE-PED	ALL BRANDS - TUTTE LE MARCHE
1	1515120	∅ 3/8"M 1.9 bar CE-PED	ALL BRANDS - TUTTE LE MARCHE
2	1515110	∅ 1/2"M 1.8 bar CE-PED	ALL BRANDS - TUTTE LE MARCHE
2	1523022	∅ 1/2"M 1.5 bar CE-PED	SPAZIALE



BOILER SAFETY VALVES



Photo	LF Code	Technical notes	Suitable for
1	1523543	ø M18x1.5 1.8 bar	SAN MARCO OLD - VERSIONI VECCHIE
1	1523545	ø M19x1.5 1.8 bar	GAGGIA OLD - VERSIONI VECCHIE
1	1523544	ø M22x1.5 1.8 bar	PAVONI OLD - VERSIONI VECCHIE
2	1515003	ø 1/4"M 2.1 bar	NUOVA SIMONELLI - VICTORIA ARDUINO
3	1523121	ø 3/8"M 1.5 bar CE-PED	ELEKTRA
3	1523029	ø 3/8"M 1.6 bar CE-PED	EXPOBAR - PROMAC - RANCILIO
3	1523059	ø 3/8"M 1.8 bar CE-PED	ALL BRANDS - TUTTE LE MARCHE
3	1515025	ø 3/8"M 1.9 bar CE-PED	CARIMALI - RANCILIO
3	1515007	ø 3/8"M 2.0 bar CE-PED	CIMBALI - FAEMA
4	1523574	ø 3/8"M 1.1 bar CE-PED	---
4	1523003	ø 3/8"M 1.6 bar CE-PED	BRASILIA - FIAMMA - SAB ITALIA
4	1523572	ø 3/8"M 1.8 bar CE-PED	ALL BRANDS - TUTTE LE MARCHE
5	1523571	ø 1/4"M 1.8 bar CE-PED	---
5	1515004	ø 1/4"M 2.0 bar CE-PED	CASADIO - CIMBALI - FAEMA
5	1515005	ø 3/8"M 1.8 bar CE-PED	SANREMO
6	1515006	ø 3/8"M-3/8"M 1.8 bar CE-PED	BFC - ROYAL
6	1515017	ø 3/8"M-3/4"M 1.8 bar CE-PED	GAGGIA

BOTTOMLESS FILTER HOLDERS



LF Code	Suitable for	Wings	Adapter filter for pods	Notes
1165034	Astoria / CMA	6.0 mm	No	---
1165117	Astoria / CMA	6.5 mm	No	Plus 4 you / Concept
1165181	Bezzera	5.8 mm	Yes	---
1165035	Brasilia	5.5 mm	Yes	---
1165038	Carimali	6.0 mm	No	---
1165182	Cimbali	5.5 mm	Yes	---
1165039	Conti	8.0 mm	No	---
1165119	Dalla Corte	9.0 mm	No	---
1165192	Expobar	6.2 mm	Yes	---
1165183	Faema	7.2 mm	Yes	---
1165195	Fiorenzato cs	6.4 mm	Yes	---
1165184	Futurmat	7.2 mm	No	---
1165185	Gaggia	6.6 mm	Yes	---
1165194	Grimac	7.0 mm	Yes	---
1165186	Marzocco	6.5 mm	Yes	---
1165086	Marzocco	6.8 mm	Yes	---
1165118	Nuova Simonelli	7.0 mm	No	Slanted body / Corpo inclinato



LF Code	Suitable for	Wings	Adapter filter for pods	Notes
5030988	Pavoni	5.6 mm	Yes	---
1165187	Rancilio	6.2 mm	Yes	---
1165185	Saeco	6.6 mm	No	---
1165191	San Marco	7.0 mm	Yes	---
1165193	Sanremo	6.4 mm	Yes	---
5050620	Spaziale	6.0 mm	Yes	---
1165188	Vibiemme	6.2 mm	Yes	---
1165189	Wega	6.4 mm	Yes	---

BRASS WASHERS



LF Code	Dimensions	Suitable for	Notes
1186446	∅ 28x17x2 mm	ASTORIA/CMA 25651	SEVERAL APPLICATIONS - MOLTE APPLICAZIONI
1186035	---	ASTORIA/CMA 25652	FOR LEVEL - PER LIVELLO
1528095	∅ 15.4x9x1 mm	ASTORIA/CMA 25653	FOR INLET TAPS - PER RUBINETTI CARICO
1186376	∅ 12x8x1 mm	ASTORIA/CMA 25655	FOR STEAM/WATER TAPS - PER RUBINETTI VAPORE/ACQUA
1186298	∅ 13x6x0.5 mm	CIMBALI	FOR BREW GROUPS - PER GRUPPI EROGAZIONE
1186380	---	ELEKTRA 01380035	FOR LEVEL - PER LIVELLO
1186319	∅ 13.9x8.3x1 mm	FAEMA 4051050569	FOR STEAM/WATER TAPS - PER RUBINETTI VAPORE/ACQUA
1186330	∅ 6.8x3.2x0.5 mm	FAEMA 4051136002	FOR BREW GROUPS - PER GRUPPI EROGAZIONE
1528130	∅ 26x16.5x1 mm	FAEMA 4051052071	FOR STEAM/WATER TAPS - PER RUBINETTI VAPORE/ACQUA
1186330	∅ 6.8x3.2x0.5 mm	FUTURMAT 04527503	FOR BREW GROUPS - PER GRUPPI EROGAZIONE
1186306	∅ 10x5x1 mm	FUTURMAT 04715801	FOR BREW GROUPS - PER GRUPPI EROGAZIONE
1186283	∅ 14.5x7x2 mm	FUTURMAT 08165508	FOR STEAM/WATER TAPS - PER RUBINETTI VAPORE/ACQUA
1528029	∅ 12x7x1 mm	GAGGIA S313001	G105 - G106
1528025	∅ 17x12x1 mm	GAGGIA S313003	G105 - G106
1186685	---	GRIMAC 1300900066-GR296	FOR LEVEL - PER LIVELLO
1186732	∅ 15x8.4x1 mm	GRIMAC GR354	FOR STEAM/WATER TAPS - PER RUBINETTI VAPORE/ACQUA
1186681	---	GRIMAC GR738	FOR STEAM/WATER TAPS - PER RUBINETTI VAPORE/ACQUA
1528018	∅ 14x6.5x0.5 mm	MARZOCCO I.4.001	FOR STEAM/WATER TAPS - PER RUBINETTI VAPORE/ACQUA
1528130	∅ 26x16.5x1 mm	MARZOCCO L165/2	FOR BREW GROUPS - PER GRUPPI EROGAZIONE
1186035	---	MCE 25652	FOR LEVEL - PER LIVELLO
1186035	---	ORCHESTRALE D25652	FOR LEVEL - PER LIVELLO
1528029	∅ 12x7x1 mm	PAVONI 313001	EUROPICCOLA - PROFESSIONAL - ROMANTICA - STRADIVARI
1528025	∅ 17x12x1 mm	PAVONI 313003	EUROPICCOLA - PROFESSIONAL - ROMANTICA - STRADIVARI
1528028	∅ 14.5x9.5x1.5 mm	PAVONI 313004	EUROPICCOLA - PROFESSIONAL - STRADIVARI
1186330	∅ 6.8x3.2x0.5 mm	PAVONI 401050	FOR BREW GROUPS - PER GRUPPI EROGAZIONE
1186814	---	RANCILIO 23123003	FOR STEAM/WATER TAPS - PER RUBINETTI VAPORE/ACQUA
1186807	∅ 18x13x0.5 mm	RANCILIO 23131005	FOR LEVEL - PER LIVELLO
1528017	∅ 17x9x1 mm	RANCILIO 32239002	FOR STEAM/WATER TAPS - PER RUBINETTI VAPORE/ACQUA
1186992	∅ 15x7x0.8 mm	SAN MARCO 205081	FOR BREW GROUPS - PER GRUPPI EROGAZIONE
1186462	∅ 12x8x2 mm	SAN MARCO 205305	FOR INLET TAPS - PER RUBINETTI CARICO
1528018	∅ 14x6.5x0.5 mm	SCALA C-0270	FOR STEAM/WATER TAPS - PER RUBINETTI VAPORE/ACQUA
1186732	∅ 15x8.4x1 mm	VIBIEMME RACCROGU	FOR STEAM/WATER TAPS - PER RUBINETTI VAPORE/ACQUA
1186330	∅ 6.8x3.2x0.5 mm	VIBIEMME RACCROPOGU	FOR STEAM/WATER TAPS - PER RUBINETTI VAPORE/ACQUA
1186306	∅ 10x5x1 mm	WEGA W10526	FOR INLET TAPS - PER RUBINETTI CARICO
1186446	∅ 28x17x2 mm	WEGA WY25651	SEVERAL APPLICATIONS - MOLTE APPLICAZIONI
1186035	---	WEGA WY25652	FOR LEVEL - PER LIVELLO
1528095	∅ 15.4x9x1 mm	WEGA WY25653	FOR INLET TAPS - PER RUBINETTI CARICO
1186376	∅ 12x8x1 mm	WEGA WY25655	FOR STEAM/WATER TAPS - PER RUBINETTI VAPORE/ACQUA
1186330	∅ 6.8x3.2x0.5 mm	WEGA WY27421011	FOR BREW GROUPS - PER GRUPPI EROGAZIONE



CAPPUCCINATORE MINI



Photo	LF Code	Suitable for
1	1079001	BRASILIA - GRIMAC - SAECO
2	1079008	GRIMAC - PAVONI - RDL - SAECO - SPINEL
3	1079018	BFC - BRASILIA - GRIMAC - SAECO
4	5500786	BRASILIA - GRIMAC - SAECO
5	1079015	GRIMAC - PAVONI - RDL - SAECO - SPINEL

CAPPUCCINATORE STANDARD



Photo	LF Code	Suitable for
1	1079022	ASTORIA/CMA - CARIMALI - NUOVA SIMONELLI - WEGA
2	1079002	BRASILIA - BRUGNETTI - CARIMALI - NUOVA SIMONELLI
3	1079006	UNIVERSAL

CAPS FIorenZATO CS



Photo	LF Code	Dimensions	Notes	Suitable for	For machine model
1	1439001	ø 16 mm	FOR BREW GROUPS - PER GRUPPI EROGAZIONE	FIorenZATO CS	BRICOLETTA - COLOMBINA - DUCALE - FENICE - LIDO
2	1439532	ø 3/8" M	FOR BREW GROUPS - PER GRUPPI EROGAZIONE	FIorenZATO CS	VENEZIA



CARBO FLAT GASKETS



LF Code	Dimensions	Suitable for	Notes
1186517	ø 31x21x3 mm	---	---
1186547	ø 32x24x1.5 mm	NUOVA SIMONELLI	FOR BREW GROUPS - PER GRUPPI EROGAZIONE
1186627	ø 41x33x3 mm	---	FOR HEATING ELEMENTS ø 1" - PER RESISTENZE ø 1"
1786215	ø 50x40x2 mm	ASTORIA/CMA	FOR HEATING ELEMENTS BOOSTED - PER RESISTENZE BOOSTED
1186633	ø 53x42x3 mm	---	FOR HEATING ELEMENTS ø 1"1/4 - PER RESISTENZE ø 1"1/4
1186942	ø 55x42x2 mm	ELEKTRA	FOR HEATING ELEMENTS - PER RESISTENZE
1186637	ø 56x47x3 mm	SAN MARCO	FOR HEATING ELEMENTS - PER RESISTENZE
1186606	ø 57x43x3 mm	---	FOR HEATING ELEMENTS MOD FAEMA - PER RESISTENZE MOD FAEMA
1186607	ø 57.8x50x3 mm	CIMBALI	FOR HEATING ELEMENTS - PER RESISTENZE
3186011	ø 63x48x2 mm	RANCILIO	FOR HEATING ELEMENTS - PER RESISTENZE
1186638	ø 67x55x3 mm	NUOVA SIMONELLI	FOR HEATING ELEMENTS - PER RESISTENZE
1186548	ø 73x61.5x1.5 mm	NUOVA SIMONELLI	FOR BREW GROUPS - PER GRUPPI EROGAZIONE
1186320	ø 87x81x0.5 mm	MARZOCCO	FOR BREW GROUPS - PER GRUPPI EROGAZIONE

COFFEE GROUPS AND SPARE PARTS FIORENZATO CS



Photo	LF Code	Suitable for	For machine model
1	1192001	FIORENZATO A2200034	BRICOLETTA - COLOMBINA - DUCALE - LIDO - VOLANTE
2	1192006	FIORENZATO A2200035	BRICOLETTA - DUCALE - FENICE - LIDO
3	1027002	FIORENZATO	BRICOLETTA - COLOMBINA - DUCALE - LIDO - VOLANTE
4	1027016	FIORENZATO	BRICOLETTA - COLOMBINA - DUCALE - LIDO - VOLANTE
5	1349022	FIORENZATO	BRICOLETTA - COLOMBINA - DUCALE - LIDO - VOLANTE
6	1439011	FIORENZATO	BRICOLETTA - DUCALE - FENICE - LIDO



COFFEE GROUPS AND SPARE PARTS FIORENZATO CS



Photo	LF Code	Suitable for	For machine model
1	1191022	FIORENZATO	BRICOLETTA - COLOMBINA - DUCALE - LIDO - VOLANTE
2	1439533	FIORENZATO	BRICOLETTA - COLOMBINA - DUCALE - LIDO - VOLANTE
3	1349007	FIORENZATO A2200010	BRICOLETTA - DUCALE - FENICE - LIDO
4	1225002	FIORENZATO	BRICOLETTA - COLOMBINA - DUCALE - LIDO - VOLANTE

COFFEE GROUPS AND SPARE PARTS FIORENZATO CS



Photo	LF Code	Suitable for	For machine model
1	1186313	FIORENZATO A2200191	BRICOLETTA - COLOMBINA - DUCALE - LIDO - VOLANTE
2	1523451	FIORENZATO A2200178	BRICOLETTA - COLOMBINA - DUCALE - LIDO - VOLANTE
3	1523452	FIORENZATO A2200180	BRICOLETTA - COLOMBINA - DUCALE - LIDO - VOLANTE
4	1523453	FIORENZATO A2200208	BRICOLETTA - COLOMBINA - DUCALE - LIDO - VOLANTE

COFFEE GROUPS SPRINKLERS



Photo	LF Code	Dimensions	Hole	Suitable for	For machine model
1	1501565	∅ 21 mm M5x1	---	FAEMA 4161133848	COMPACT - DUE - ELITE - ENOVA - EXPRESS - E61
1	1501565	∅ 21 mm M5x1	---	FUTURMAT 02476109	---
2	1510004	∅ 21 mm M5x1	---	CASADIO 457342000	DIECIA - DIECIS
2	1510004	∅ 21 mm M5x1	---	CIMBALI 457-342-000	M27 2008
2	1510004	∅ 21 mm M5x1	---	FAEMA 457342000	DUESMART - EMBLEMA - ENOVA - E61 - SMARTRESTY
3	1501560	∅ 21 mm M6x1	---	VIBIEMME RACCSPGRKO	EVOLUTION - KOMETA - LOLLO - MINIMAX - SILVER
4	1501007	∅ 30 mm M10x1	M5	MCE 27105000	START
4	1501007	∅ 30 mm M10x1	M5	ORCHESTRALE D27105000	ETNICA - PHONICA
4	1501007	∅ 30 mm M10x1	M5	WEGA WY27105000	AIRY - ATLAS - COLOSSEUM - COMBI NOVA - ESPRESSA - START
5	1501561	∅ 30 mm M10x1	---	BEZZERA 7479941	GALATEA - GALATEA DOMUS - GIULIA - UNICA
5	1501561	∅ 30 mm M10x1	---	BFC 0520070	CLASSICA - DELUX - GALILEO - IMOLA - JUNIOR - LA VITTORIA



Photo	LF Code	Dimensions	Hole	Suitable for	For machine model
5	1501561	∅ 30 mm M10x1	---	BIANCHI 43051216	LUCIA - SARA - SOFIA
5	1501561	∅ 30 mm M10x1	---	BRASILIA 04089.0.00.04	GRADISCA
5	1501561	∅ 30 mm M10x1	---	ECM C229901128	GIOTTO - LAURA - VENEZIANO
5	1501561	∅ 30 mm M10x1	---	ECM MANUFACTURE C229901128	CLASSIKA II - ELEKTRONIKA II PROFI - ELEKTRONIKA II PROFI
5	1501561	∅ 30 mm M10x1	---	EXPOBAR CTAV1-11	EB61 - OFFICE
5	1501561	∅ 30 mm M10x1	---	FAEMA	E61
5	1501561	∅ 30 mm M10x1	---	FIAMMA RST 5.0.025.0009	ATLANTIC - MARINA - PRESTIGE
5	1501561	∅ 30 mm M10x1	---	FIORENZATO C.S A2200170	BRICOLETTA - COLOMBINA - DUCALE - FENICE - LIDO - VOLANTE
5	1501561	∅ 30 mm M10x1	---	FUTURMAT 02012904	ARIETE - CUSTOM - F3 - RIMINI
5	1501561	∅ 30 mm M10x1	---	GAGGIA SPAGNA 02012904	BELLA - G6 - KB
5	1501561	∅ 30 mm M10x1	---	GRIMAC 1201300006-GR762	ECLISSE - MIA - TEN - TWENTY - ZOLA I - ZOLA II
5	1501561	∅ 30 mm M10x1	---	ITALCREM 02012904	IT4
5	1501561	∅ 30 mm M10x1	---	MAIRALI 02012904	ARIANNE
5	1501561	∅ 30 mm M10x1	---	PAVONI	BART
5	1501561	∅ 30 mm M10x1	---	PROMAC 80230080	COMPACT - GREEN
5	1501561	∅ 30 mm M10x1	---	RENEKA AT7479941	AMICI - ATALANTE
5	1501561	∅ 30 mm M10x1	---	ROYAL 0520070	DIADEMA - SYNCHRO
5	1501561	∅ 30 mm M10x1	---	SAB TM-SPR8F400	ELLIPSE - E96 - MODERNA
5	1501561	∅ 30 mm M10x1	---	SANREMO 10052141	AMALFI - CAPRI - MILANO LX - PISA - TORINO - TREVISO
5	1501561	∅ 30 mm M10x1	---	SCALA C-0318	BUTTERFLY - CARMEN - EROICA
5	1501561	∅ 30 mm M10x1	---	VFA	ELITE - MAGESTIC - SPLENDOR
5	1501561	∅ 30 mm M10x1	---	VIBIEMME RACCSPGR	CHIMAERA - DOMOBAR - DOSAPLUS - MERCURY - REPLICA
5	1501561	∅ 30 mm M10x1	---	VISACREM 02012904	BRAVA - V6
5	1501561	∅ 30 mm M10x1	---	WEGA WY27105	AIRY - ATLAS - ATLAS10 - NOVA - NOVECENTO - ORION ECO - P
6	1501568	∅ 30 mm M10x1	M5	PAVONI 314098	P UNO - P TRE
6	1501014	∅ 30 mm M9.6x1	M5	BRUGNETTI/AURORA 000183	ALEXIA - C

CONTACT THERMOSTATS FIORENZATO CS



Photo	LF Code	Temperature °C	Suitable for	For machine model
1	3443026	110	FIORENZATO A1400045	COLOMBINA
2	1443066	130	FIORENZATO A1400044	COLOMBINA
3	1443013	152	FIORENZATO A1400035	BRICOLETTA - COLOMBINA - DUCALE - VOLANTE

CONTROL BOXES FIORENZATO CS



1

Photo	LF Code	For machines with no. of groups	Power	Suitable for	For machine model
1	1054025	2-3	230V	FIORENZATO A1500070	DUCALE - FENICE - LIDO - MURANO - RIALTO - VENEZIA (STD)
1	1054050	2-3	230V	FIORENZATO A1500095	DUCALE - FENICE - MURANO - RIALTO (ECO)



DRAIN TANKS FIORENZATO CS



Photo	LF Code	Notes	Suitable for	For machine model
1	1527042	∅ 60x43 mm	FIORENZATO A1600134	DUCALE - FENICE - LIDO - VENEZIA
2	1527511	78x68 mm - ∅ 15 mm	FIORENZATO A1600002	DUCALE - FENICE - LIDO - PIAZZA SAN MARCO - VENEZIA

EPDM FLAT GASKETS



LF Code	Dimensions	Suitable for	Notes
1186427	∅ 10x4x2 mm	RANCILIO	FOR BREW GROUPS - PER GRUPPI EROGAZIONE
1186758	∅ 10x4.5x4 mm	MARCFI-ANCAS	FOR INLET TAPS - PER RUBINETTI CARICO
1186342	∅ 11x3x4 mm	CIMBALI - FAEMA	FOR STEAM/WATER TAPS - PER RUBINETTI VAPORE/ACQUA
1186454	∅ 11x3.6x2 mm	PROMAC - RANCILIO	FOR INLET TAPS - PER RUBINETTI CARICO
1186423	∅ 11x4x4 mm	BRASILIA	FOR INLET TAPS - PER RUBINETTI CARICO
1186703	∅ 11x7x7 mm	CIMBALI	FOR BREW GROUPS M15- PER GRUPPI EROGAZIONE M15
1186083	∅ 12x3x4 mm	RENEKA	FOR STEAM/WATER TAPS - PER RUBINETTI VAPORE/ACQUA
1786263	∅ 12.5x8x9 mm	ASTORIA/CMA - WEGA	FOR STEAM/WATER TAPS - PER RUBINETTI VAPORE/ACQUA
1186588	∅ 13x3x4 mm	AZKOYEN	FOR STEAM/WATER TAPS - PER RUBINETTI VAPORE/ACQUA
1186161	∅ 13x4x4 mm	BRASILIA - CONTI - RENEKA	FOR STEAM/WATER TAPS - PER RUBINETTI VAPORE/ACQUA
1186935	∅ 13x4x4 mm	ELEKTRA	FOR STEAM/WATER TAPS - PER RUBINETTI VAPORE/ACQUA
1186935	∅ 13x4x4 mm	GRIMAC	FOR BREW GROUPS - PER GRUPPI EROGAZIONE
1186150	∅ 13x7.4x7 mm	SAN MARCO	FOR INLET TAPS - PER RUBINETTI CARICO
1186111	∅ 14x4x4 mm	BEZZERA	FOR STEAM/WATER TAPS - PER RUBINETTI VAPORE/ACQUA
1186111	∅ 14x4x4 mm	SAN MARCO	FOR BREW GROUPS - PER GRUPPI EROGAZIONE
1186302	∅ 14x4x5 mm	CARIMALI	FOR STEAM/WATER TAPS - PER RUBINETTI VAPORE/ACQUA
1186316	∅ 15x4x4 mm 60SH	ASTORIA/CMA - WEGA	FOR STEAM/WATER TAPS - PER RUBINETTI VAPORE/ACQUA
1186527	∅ 15x4x4 mm 80SH	ASTORIA/CMA - WEGA	FOR STEAM/WATER TAPS - PER RUBINETTI VAPORE/ACQUA
1186515	∅ 15x5.5x3.5 mm	SPAZIALE	FOR STEAM/WATER TAPS - PER RUBINETTI VAPORE/ACQUA
1186369	∅ 15x5.5x4 mm	FUTURMAT	FOR BREW GROUPS - PER GRUPPI EROGAZIONE
1186369	∅ 15x5.5x4 mm	SAN MARCO	FOR STEAM/WATER TAPS - PER RUBINETTI VAPORE/ACQUA
1186985	∅ 15x6x6 mm	GAGGIA	FOR STEAM/WATER TAPS - PER RUBINETTI VAPORE/ACQUA
1186985	∅ 15x6x6 mm	PAVONI	FOR STEAM/WATER TAPS - PER RUBINETTI VAPORE/ACQUA
1186300	∅ 15x7.3x4 mm	CIMBALI	FOR STEAM/WATER TAPS - PER RUBINETTI VAPORE/ACQUA
1186300	∅ 15x7.3x4 mm	GRIMAC	FOR STEAM/WATER TAPS - PER RUBINETTI VAPORE/ACQUA
1186057	∅ 15.3x7.7x4 mm	BRASILIA	FOR STEAM/WATER TAPS - PER RUBINETTI VAPORE/ACQUA
1186312	∅ 15.5x7.5x4 mm	MANY BRANDS - MOLTI MARCHI	SEVERAL APPLICATIONS - MOLTE APPLICAZIONI
1186233	∅ 16x4x5 mm	UNIC	FOR STEAM/WATER TAPS - PER RUBINETTI VAPORE/ACQUA
1186282	∅ 16.5x6x4 mm	SAN MARCO	FOR BREW GROUPS - PER GRUPPI EROGAZIONE
1186170	∅ 18x4x4 mm	CARIMALI	FOR STEAM/WATER TAPS - PER RUBINETTI VAPORE/ACQUA
3449039	∅ 18x11x2 mm	---	FOR INLET HOSES ∅ 1/2" - PER TUBI CARICO ∅ 1/2"
1186102	∅ 19x3.5x4 mm	BEZZERA	FOR STEAM/WATER TAPS - PER RUBINETTI VAPORE/ACQUA

LF Code	Dimensions	Suitable for	Notes
1186958	∅ 20.5x15x2 mm	CIMBALI	FOR STEAM/WATER TAPS - PER RUBINETTI VAPORE/ACQUA
1186066	∅ 21x15x3 mm	BRASILIA	FOR STEAM/WATER TAPS - PER RUBINETTI VAPORE/ACQUA
1186410	∅ 21x16x2 mm	RANCILIO	FOR BREW GROUPS - PER GRUPPI EROGAZIONE
1186410	∅ 21x16x2 mm	RENEKA	FOR STEAM/WATER TAPS - PER RUBINETTI VAPORE/ACQUA
1786222	∅ 22x18x1.5 mm	CIMBALI	FOR BOOSTER PUMPS - PER POMPE VOLUMETRICHE
3449026	∅ 24x12x2 mm	---	FOR INLET HOSES ∅ 3/4" - PER TUBI CARICO ∅ 3/4"
1786231	∅ 24x15x3 mm	GAGGIA	FOR INLET TAPS - PER RUBINETTI CARICO
1786231	∅ 24x15x3 mm	PAVONI	FOR STEAM/WATER TAPS - PER RUBINETTI VAPORE/ACQUA
1786315	∅ 51.3x43x5 mm	ISOMAC	FOR BREW GROUPS - PER GRUPPI EROGAZIONE

EXPANSION AND NON-RETURN VALVES "UNIVERSAL"



Photo	LF Code	Dimensions
1	1523036	∅ 1/8"M-1/8"F
2	1523700	∅ 1/8"M-1/8"M
3	3349281	∅ 3/8"F-3/8"F
4	3349283	∅ 3/4"F-3/4"F
5	1523072	∅ 3/8"M

EXPANSION AND NON-RETURN VALVES FIORENZATO CS



Photo	LF Code	Dimensions	Suitable for	For machine model
1	1523701	∅ 3/8"M-3/8"M	FIORENZATO CS A1300109	PIAZZA SAN MARCO
2	1523068	∅ 1/8"M-1/8"M	FIORENZATO CS A1300056	BRICOLETTA - VOLANTE
3	1523432	∅ 1/8"M	FIORENZATO CS A1300113	BRICOLETTA - COLOMBINA - VOLANTE
4	1523043	∅ 1/8"M-7 mm	FIORENZATO CS A1300028	---
5	1523404	---	FIORENZATO CS A1200191	PIAZZA SAN MARCO



FILTER HOLDER FIORENZATO CS



Photo	LF Code	Wings	Knob	Spouts	Filter	Spring	Suitable for	For machine model
1	1165040	7 mm	M12	3/8	7 gr	YES	FIORENZATO CS A2200078	ALL MODELS - TUTTI I MODELLI
2	1165042	7 mm	M12	3/8	14 gr	YES	FIORENZATO CS A2200079	ALL MODELS - TUTTI I MODELLI
3	1165022	7 mm	M12	3/8	NO	NO	FIORENZATO CS	ALL MODELS - TUTTI I MODELLI
4	5058712	5.6 mm	M12	3/8	NO	NO	FIORENZATO CS A2200082	PIAZZA SAN MARCO

FILTER HOLDER GASKETS FIORENZATO CS



Photo	LF Code	Dimensions (mm)	Notes	Suitable for	For machine model
1	1186721	ø 74x57.5x8	INT. CUTS - SPACCHI INT.	FIORENZATO A1200007	BRICOLETTA - COLOMBINA - DUCALE - FENICE - LIDO - VOLANTE
2	1186722	ø 73x57x8	---	FIORENZATO A1200007	BRICOLETTA - COLOMBINA - DUCALE - FENICE - LIDO - VOLANTE
2	1186723	ø 73x57x8.5	---	FIORENZATO A1200006	BRICOLETTA - COLOMBINA - DUCALE - FENICE - LIDO - VOLANTE
2	1186724	ø 73x57x9	---	FIORENZATO A1200005	BRICOLETTA - COLOMBINA - DUCALE - FENICE - LIDO - VOLANTE
2	1486724	ø 73x57x10	---	FIORENZATO A1200005	BRICOLETTA - COLOMBINA - DUCALE - FENICE - LIDO - VOLANTE
2	1186622	ø 72x56x8	---	FIORENZATO A1200181	VENEZIA
3	1486026	ø 65.5x55.5x5.5	---	FIORENZATO A1200194	PIAZZASANMARCO
3	1186656	ø 67x56x6	---	FIORENZATO A1200189	PIAZZASANMARCO

FILTER LOCKING SPRING

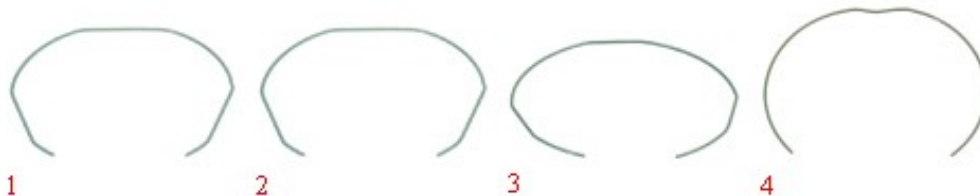
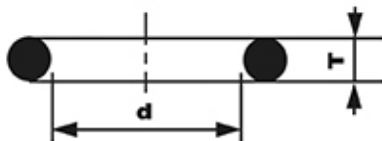


Photo	LF Code	wire ø (mm)	Suitable for
1	1250101	1.00	ALL BRANDS - TUTTI I MARCHI
1	1250002	1.20	ALL BRANDS - TUTTI I MARCHI
1	1250333	1.30	ALL BRANDS - TUTTI I MARCHI
1	1250338	1.40	ALL BRANDS - TUTTI I MARCHI
2	1250279	1.40	ASTORIA/CMA P4Y - WEGA CONCEPT 52
3	5033397	1.00	PAVONI EUROPICCOLA
4	1250018	1.00	ELEKTRA MICROCASA

GASKETS "OR" R1-R2-R3....R10..

1.90 - 2.20
2.70 - 3.60 mm



Dimensions (mm) T x d	Model (new cross-references)	Model (old cross-references)	LF Code (EPDM)	LF Code (VITON)	LF Code (SILICONE)
1.90 x 2.40	OR R0		1786108		
1.90 x 3.40	OR R2		2104557		
1.90 x 4.20	OR R3		1186996	1786316	
1.90 x 4.90	OR R4		1786286		
1.90 x 5.70	OR R5		1186854	1786310	1186610
1.90 x 7.20	OR R6		1186556	1186791	
2.70 x 12.10	OR R10		1786297		
3.60 x 23.00	OR R18		1786157		

GASKETS FOR GROUP ADJUSTABLE TO SEVERAL BRANDS



Photo	LF Code	Features	Suitable for	For machine model
1	1186502	79x71x2 mm - CARBO	MANY BRANDS - MOLTI MARCHI	FOR MODEL E61 GROUPS - PER GRUPPI TIPO E61
2	1186508	77x73x2 mm - PTFE	MANY BRANDS - MOLTI MARCHI	FOR MODEL E61 GROUPS - PER GRUPPI TIPO E61
3	1186384	80x70x2 mm - PAPER	MANY BRANDS - MOLTI MARCHI	FOR MODEL E61 GROUPS - PER GRUPPI TIPO E61

HANDLES FIORENZATO CS



Photo	LF Code	Notes	Suitable for	For machine model
1	1241172	STEAM/WATER - VAPORE/ACQUA	FIorenzato A1600044	BRICOLETTA - COLOMBINA - VOLANTE
2	1241118	STEAM - VAPORE	FIorenzato A1600004	DUCALE - LIDO
3	1241333	STEAM - VAPORE	FIorenzato A1600012	FENICE - VENEZIA
4	1241401	FOR BREW GROUPS - PER GRUPPI EROGAZIONE	FIorenzato A1600001	BRICOLETTA - COLOMBINA - DUCALE - LIDO - VOLANTE
5	1241334	FOR INLET TAPS - PER RUBINETTI CARICO	FIorenzato A1600125	OLD MODELS - MODELLI VECCHI



HEATING ELEMENTS FIorenzato CS

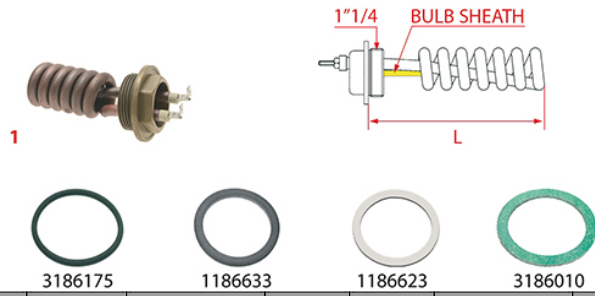


Photo	LF Code	Watt - Volt	L (mm)	Groups	Bulb sheath	Suitable for	For machine model
1	1755603	1300W 230V	105	1	NO	FIorenzato A2100308	COLOMBINA

HEATING ELEMENTS FIorenzato CS

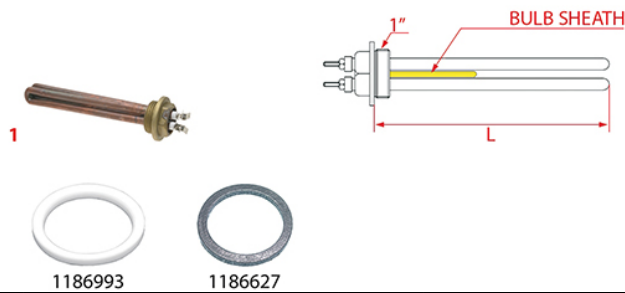


Photo	LF Code	Watt - Volt	L (mm)	Groups	Bulb sheath	Suitable for	For machine model
1	1755263	1800W 230V	155	1	NO	FIorenzato A2100165	BRICOLETTA - VOLANTE

HEATING ELEMENTS FIorenzato CS

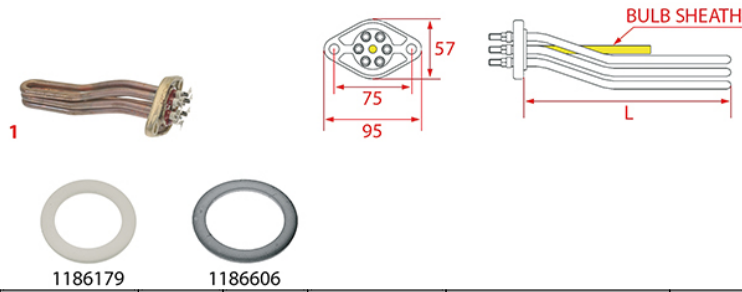


Photo	LF Code	Watt - Volt	L (mm)	Groups	Bulb sheath	Suitable for	For machine model
1	1755127	2700W 230V	160	1	YES	FIorenzato A2100146	DUCALE
1	1755011	3500W 230V	300	2	YES	FIorenzato A2100031	MURANO - FENICE - LIDO - VENEZIA
1	1755012	4000W 230V	555	3	YES	FIorenzato A2100120	DUCALE - MURANO - FENICE - LIDO - VENEZIA

INDICATOR LIGHTS FIorenzato CS

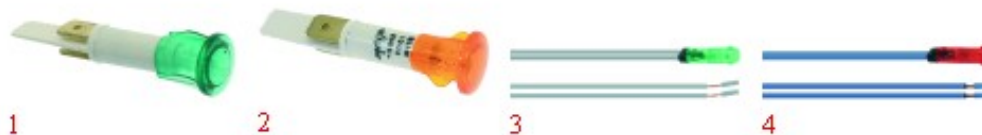


Photo	LF Code	Volt	∅ head - ∅ hole - °C	Suitable for	For machine model
1	3221132	230V	∅ 13.5 mm - ∅ 10 mm - 120°C	FIorenzato A2100329	BRICOLETTA - DUCALE - VOLANTE
2	3221095	230V	∅ 13.5 mm - ∅ 10 mm - 120°C	FIorenzato A2100330	BRICOLETTA - COLOMBINA - DUCALE - FENICE
3	3221091	230V	∅ 7 mm - ∅ 6 mm	FIorenzato A2100025	BRICOLETTA - DUCALE
4	3221220	230V	∅ 7 mm - ∅ 6 mm	FIorenzato A2100024	BRICOLETTA - DUCALE

LEVEL GLASS BALLS



Photo	LF Code	Dimensions (mm)	Suitable for
1	1323006	∅ 7	ALL BRANDS - TUTTE LE MARCHE
2	1323001	∅ 5.8	ALL BRANDS - TUTTE LE MARCHE
3	1323007	∅ 9,5	ALL BRANDS - TUTTE LE MARCHE

LEVEL GLASS FITTINGS



Photo	LF Code	Dimensions (mm)	Suitable for
1	1186448	∅ 14.5x11.5x3.5	BIANCHI - FIAMMA - FIorenzato CS - SCALA
1	1186420	∅ 15x11.5x3	VIBIEMME
1	1786037	∅ 15x11.5x3	BRASILIA - FRACINO - GAGGIA
2	1186357	∅ 18x13.5x4 mm	CIMBALI - FAEMA
2	1186219	∅ 18.5x13x3	CARIMALI
3	1186287	∅ 18x12x3	CONTI
4	1528015	∅ 24x13.2x6.8	FAEMA
5	1186269	∅ 18x12x1	CONTI



LEVEL GLASS GASKETS



Photo	LF Code	Dimensions (mm)	Suitable for
1	1186173	∅ 16.5x10x12.5	MARCFI-ANCAS
1	1186221	∅ 19x11.5x10	CARIMALI - CONTI - NUOVA SIMONELLI
2	1186270	∅ 18x11x4	CONTI
2	1186227	∅ 21x11.5x5	BRUGNETTI/AURORA - FAEMA - FUTURMAT
2	1186251	∅ 18x12x3	RANCILIO
2	1186360	∅ 18x12x2	CIMBALI
3	1401002	∅ 14.5x10x7	BEZZERA
4	1186206	∅ 16x10x8	ASTORIA/CMA - BFC - GRIMAC - NUOVA SIMONELLI - ROYAL
5	1186375	∅ 15x9x8	ELEKTRA
5	1186469	∅ 15x9x5	GAGGIA - PAVONI
6	1186498	∅ 14.5x11x2	EXPOBAR
6	1186256	∅ 31x19x3	SAN MARCO
6	1186266	∅ 26x12x7	UNIC

LEVEL PROBES FIorenZATO CS



Photo	LF Code	Notes	Suitable for	For machine model
1	1341752	∅ 1/4"M-148 mm	FIorenZATO A1400001	DUCALE - FENICE - LIDO - PIAZZA SAN MARCO - VENEZIA
2	3341069	∅ 1/4"M-75 mm	FIorenZATO A1400003	COLOMBINA - BRICOLETTA - VOLANTE

LEVEL REGULATORS FIorenZATO CS



Photo	LF Code	Features	Suitable for	For machine model
1	1341017	230/240V 50/60Hz	FIorenZATO A1500005	BRICOLETTA - COLOMBINA - DUCALE - VOLANTE
2	1341015	230/240V 50/60Hz 8A	FIorenZATO A1500082	DUCALE - FENICE - LIDO - PIAZZA SAN MARCO

LIP GASKETS FIorenzato CS



1

Photo	LF Code	Dimensions (mm)	Suitable for	For machine model
1	1186835	ø 51x40x7.3	FIorenzato A1200186	PIAZZA SAN MARCO

MICROSWITCHES FIorenzato CS



1



2

Photo	LF Code	Volt	Suitable for	For machine model
1	3240410	16(4)A 250V	FIorenzato CS A2100091	BRICOLETTA - COLOMBINA
2	1803001	16A 250V	FIorenzato CS A2100042	BRICOLETTA - COLOMBINA - DUCALE - LIDO - VOLANTE

MOTORS FIorenzato CS



1

Photo	LF Code	Model	Suitable for	For machine model
1	1240072	150W 230V 1.2A 50/60Hz	FIorenzato A1900087	ACCADEMIA - BRICOLETTA - DUCALE - FENICE - LIDO - MURANO



NBR FLAT GASKETS



Photo	LF Code	Dimensions	Suitable for	Notes
1	1186474	∅ 12x7x5 mm	GAGGIA	FOR STEAM/WATER TAPS - PER RUBINETTI VAPORE/ACQUA
1	1186474	∅ 12x7x5 mm	PAVONI	FOR STEAM/WATER TAPS - PER RUBINETTI VAPORE/ACQUA
2	1186311	∅ 13x4x4 mm	MANY BRANDS - MOLTI MARCHI	SEVERAL APPLICATIONS - MOLTE APPLICAZIONI

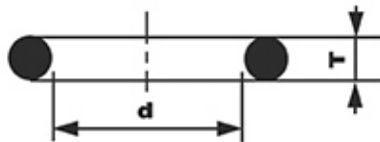
NOZZLES FIorenzato CS



Photo	LF Code	Notes	Suitable for	For machine model
1	1501522	M6x1 - ∅ 0.75 mm	FIorenzato CS A2200174	BRICOLETTA - COLOMBINA - DUCALE - FENICE - LIDO - VENEZIA

O-RING GASKETS THICKNESS 2.62 mm

2.62 mm



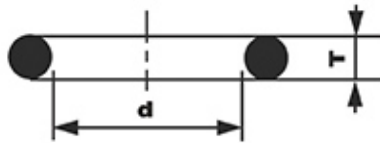
Dimensions (mm) T x d	Model (new cross-references)	Model (old cross-references)	LF Code (EPDM)	LF Code (VITON) STANDARD	LF Code (SILICONE) RED	LF Code (VITON) MIX COLOR	LF Code (SILICONE) MIX COLOR
2.62 x 6.02	OR 03024		3786668		1786137		
2.62 x 7.59	OR 03030		1186358	1786155	1786280	1786197	
2.62 x 9.13	OR 0109	OR 0109	1186255	5029740	1186910		3186608
2.62 x 9.19	OR 03037	OR 0111	3186340	1786202			
2.62 x 9.92	OR 0112	OR 0112	1186304		1786049	1186879	1186914
2.62 x 10.78	OR 03043	OR 0113	1186318		3786719	1186236	
2.62 x 11.91	OR 0115	OR 0115	1186805	1186709	1186745		
2.62 x 12.37	OR 03050	OR 0116	3060608	3090132	1186458		
2.62 x 13.10	OR 0117	OR 0117	3243086		1186085		1786234
2.62 x 13.95	OR 03056	OR 0118	3186860		1186762		
2.62 x 15.08	OR 0119	OR 0119	1186414	1186714	3523062		
2.62 x 15.88	OR 0121	OR 0121	3186434	1186246			
2.62 x 17.13	OR 03068	OR 0122	3186181	1786276	1186850		
2.62 x 17.86	OR 0123	OR 0123	3186287		1186000		1199001
2.62 x 18.72	OR 03075	OR 0124	1186356		5059295		



Dimensions (mm) T x d	Model (new cross-references)	Model (old cross-references)	LF Code	LF Code	LF Code	LF Code	LF Code
			(EPDM)	(VITON) STANDARD	(SILICONE) RED	(VITON) MIX COLOR	(SILICONE) MIX COLOR
2.62 x 20.24	OR 03081	OR 0127	1186327	5039864	1186026		1186053
2.62 x 20.63	OR 0128	OR 0128	3186183	1186591		1786300	
2.62 x 21.89	OR 03087		1786233		1186796		
2.62 x 22.22	OR 0130	OR 0130	3186253		1186292		
2.62 x 23.47	OR 03093		1186922				
2.62 x 23.81	OR 0132	OR 0132	1186438				
2.62 x 25.07	OR 03100		1186833				
2.62 x 26.65	OR 03106		1186759			5045475	1786243
2.62 x 28.25	OR 03112		3186247	5037072			7104228
2.62 x 29.82	OR 03118		3186458				
2.62 x 31.42	OR 03125		3186244			1186930	
2.62 x 32.99	OR 03131		3186847	5029479	1186920		
2.62 x 34.60	OR 03137		3243250	1186767			
2.62 x 36.14	OR 03143		5027619				
2.62 x 39.34	OR 03156		3786183	1186184			
2.62 x 40.95	OR 03162		3243389				
2.62 x 42.52	OR 03168		3160040	1186705			
2.62 x 45.69	OR 03181		1186466				
2.62 x 47.30	OR 03187		3160044		1786313		
2.62 x 48.89	OR 03193		1186672	5055114			
2.62 x 50.47	OR 03200		3186245	5034849		1186948	
2.62 x 53.65	OR 03212		3060038		1186847		
2.62 x 58.42	OR 03231		3186455		1199075		
2.62 x 60.00	OR 03237		3243166				
2.62 x 61.60	OR 03243		3122252				
2.62 x 63.17	OR 03250		3186315				
2.62 x 64.77	OR 03256		1786203	1786153			
2.62 x 67.95	OR 03268		3186248				
2.62 x 71.12	OR 03281		1186625		1186405		
2.62 x 72.69	OR 03287		1186152				
2.62 x 75.87	OR 03300		1186237	1186779			
2.62 x 78.94			3786579				
2.62 x 88.57	OR 03350		5015751		1786124		
2.62 x 94.92	OR 03375		1186605				
2.62 x 215.57	OR 03850		3786202				

O-RING GASKETS THICKNESS 3.53 mm

3.53 mm



Dimensions (mm) T x d	Model (new cross-references)	Model (old cross-references)	LF Code	LF Code	LF Code	LF Code	LF Code
			(EPDM)	(VITON) STANDARD	(SILICONE) RED	(VITON) MIX COLOR	(SILICONE) MIX COLOR
3.53 x 9.12	OR 04036		6456047	2102713			
3.53 x 15.47	OR 04061		1186019		3786053		
3.53 x 17.04	OR 04067		3786519				
3.53 x 18.64	OR 04075	OR 0125	1186472	1186766	3186610		
3.53 x 20.22	OR 04081	OR 0126	1186238	2111463	1186009		
3.53 x 21.82	OR 04087	OR 0129	1186630	4059475			
3.53 x 23.40	OR 04093	OR 0131	3186143	5028161	1786050		
3.53 x 26.58	OR 04106	OR 0135	1186231		1786119		



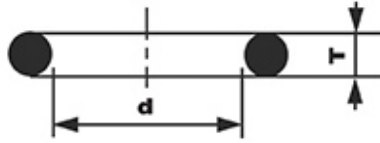
FIorenzato C.S.



Dimensions (mm) T x d	Model (new cross-references)	Model (old cross-references)	LF Code	LF Code	LF Code	LF Code	LF Code
			(EPDM)	(VITON) STANDARD	(SILICONE) RED	(VITON) MIX COLOR	(SILICONE) MIX COLOR
3.53 x 28.17	OR 04112	OR 0136	1186480	3786008	1786018		1186869
3.53 x 29.75	OR 04118	OR 0137	3243142	1786167	1186874	1186790	1786199
3.53 x 31.34	OR 04125	OR 0138	1186506		1186010		
3.53 x 32.93	OR 04131	OR 0139	1186655	3186580	1786210	1786098	
3.53 x 34.52	OR 04137	OR 0140	3061040		1186990	1186403	1186963
3.53 x 36.10	OR 04143	OR 0141	3186338		1786118		
3.53 x 37.69	OR 04150	OR 0142	3186197	5034986	1186905		1786168
3.53 x 39.69	OR 0144	OR 0144	3186606		1786099		1186947
3.53 x 40.86	OR 04162		3067198	40C6450	5039021		
3.53 x 41.28	OR 0146	OR 0146	3186238	1186798			
3.53 x 42.86	OR 0147	OR 0147	3186184	1786117	1786140		
3.53 x 44.04	OR 04175		3186175	1786152			
3.53 x 46.04	OR 0150	OR 0150	3786181				
3.53 x 47.22	OR 04187		3186290	1186190			
3.53 x 47.63	OR 0152	OR 0152	1186087			1186931	
3.53 x 49.21	OR 0153	OR 0153	3786454	5005318	1786116		
3.53 x 50.39	OR 04200		3186601	3786459	4006406		
3.53 x 50.80	OR 0155	OR 0155	3316031		1186503	1786311	
3.53 x 53.57	OR 04212		1186643			5501390	
3.53 x 55.56	OR 0159	OR 0159	3186697	1186715			
3.53 x 56.74	OR 04225		1186799				
3.53 x 57.15	OR 0161	OR 0161	1186198	1786292			
3.53 x 58.74	OR 0162	OR 0162	1186199	1786287			
3.53 x 59.92	OR 04237		3316110				
3.53 x 60.33	OR 0164	OR 0164	1186230	1786011			
3.53 x 63.09	OR 04250		1186022				
3.53 x 63.50	OR 0167	OR 0167	3186454		1786298		
3.53 x 65.09	OR 0168	OR 0168	1186645				
3.53 x 68.26	OR 0171	OR 0171	1186763				
3.53 x 69.44	OR 04275		5022973		1786209		
3.53 x 71.44	OR 0174	OR 0174	3243160				
3.53 x 73.03	OR 0176	OR 0176	1186641		1186858	1786254	
3.53 x 75.80	OR 04300		1186748		1786110		
3.53 x 78.97	OR 04312		3186271	1186698	1786268		
3.53 x 82.14	OR 04325		1186693				
3.53 x 85.32	OR 04337		1186519				
3.53 x 88.50	OR 04350		1186873				1786261
3.53 x 91.67	OR 04362		3061007				
3.53 x 94.84	OR 04375		3061011				
3.53 x 98.02	OR 04387		3186137				
3.53 x 101.20	OR 04400		3160607	5501389	1786129		
3.53 x 107.50	OR 04425		3186235			1786214	
3.53 x 110.70	OR 04437		3061016				
3.53 x 113.90	OR 04450		3186456				
3.53 x 120.20	OR 04475		3186466		1186806		
3.53 x 132.90	OR 04525		1186941				
3.53 x 136.10	OR 04537		1186708				
3.53 x 148.80	OR 04587		3122552				
3.53 x 158.30	OR 04625		3122255				
3.53 x 164.70	OR 04650		3122344				
3.53 x 183.70	OR 04725		3061037				

O-RING GASKETS THICKNESS 5.34 mm

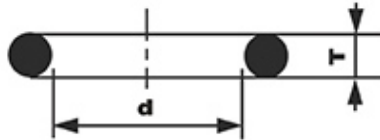
5.34 mm



Dimensions (mm) T x d	Model (new cross-references)	Model (old cross-references)	LF Code	LF Code	LF Code	LF Code	LF Code
			(EPDM)	(VITON) STANDARD	(SILICONE) RED	(VITON) MIX COLOR	(SILICONE) MIX COLOR
5.34 x 34.29	OR 06135		1186220				
5.34 x 37.47	OR 06150	OR 0143	3186001			5018795	
5.34 x 40.65	OR 06162	OR 0145	5026454	1786272			
5.34 x 43.82	OR 06175	OR 0148	3186339		5039034		
5.34 x 47.00	OR 06187	OR 0151	3186013	5060790	3186313		
5.34 x 50.16	OR 06200	OR 0154	3186333		1786275		
5.34 x 53.34	OR 06212	OR 0157	1186673	3186241	1786273		5023642
5.34 x 56.52	OR 06225	OR 0160	3186014				3186314
5.34 x 59.69	OR 06237	OR 0163	1186932		5038239		
5.34 x 62.87	OR 06250	OR 0166	3186331				
5.34 x 66.04	OR 06262	OR 0169	1186505				
5.34 x 69.22	OR 06275	OR 0172	3160061				
5.34 x 72.39	OR 06287	OR 0175	3786685				
5.34 x 74.63	OR 0178	OR 0178	3186015		1786009		
5.34 x 75.57	OR 06300	OR 0179	5039882	1186456			
5.34 x 78.74	OR 06312	OR 0180	3010048				
5.34 x 79.77	OR 0181	OR 0181	5006335				
5.34 x 81.92	OR 06325	OR 0182	3243088				
5.34 x 85.09	OR 06337	OR 0183	3186335		1786246		
5.34 x 94.62	OR 06375	OR 0187	1786002				
5.34 x 100.00	OR 0189	OR 0189	1186749				
5.34 x 110.50	OR 06437	OR 0194	5010476				1186075
5.34 x 120.70	OR 0201	OR 0201	3160615				
5.34 x 139.70	OR 0215	OR 0215	5052966				

O-RING GASKETS THICKNESS 7.00 mm

7.00 mm



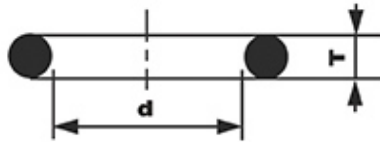
Dimensions (mm) T x d	Model (new cross-references)	Model (old cross-references)	LF Code	LF Code	LF Code	LF Code	LF Code
			(EPDM)	(VITON) STANDARD	(SILICONE) RED	(VITON) MIX COLOR	(SILICONE) MIX COLOR
7.00 x 135.90	OR 08537	OR 0212	5050109				
7.00 x 142.20	OR 08562	OR 0216	2104555				
7.00 x 155.60	OR 0223	OR 0223	5006513				
7.00 x 183.52	OR 08725	OR 0234	5024838				
7.00 x 204.67	OR 08950	OR 0246	5026360		5029810		
7.00 x 266.07	OR 081050	OR 0250	5034088				



Dimensions (mm) T x d	Model (new cross-references)	Model (old cross-references)	LF Code (EPDM)	LF Code (VITON) STANDARD	LF Code (SILICONE) RED	LF Code (VITON) MIX COLOR	LF Code (SILICONE) MIX COLOR
7.00 x 297.80	OR 081175	OR 0255	5032360				

O-RING THICKNESS 1.78 mm

1.78 mm



Dimensions (mm) T x d	Model (new cross-references)	Model (old cross-references)	LF Code (EPDM)	LF Code (VITON) STANDARD	LF Code (SILICONE) RED	LF Code (VITON) MIX COLOR	LF Code (SILICONE) MIX COLOR
1.78 x 1.78	OR 02007		2111723				
1.78 x 2.57	OR 02010		1186163	1186746			
1.78 x 2.90	OR 02012	OR 0101	1186365		1186846	1186842	
1.78 x 3.69	OR 02015	OR 0102	1186014	1186900	1786278	1786095	1186514
1.78 x 4.48	OR 02018	OR 0103	1186421	1186755	1186861		
1.78 x 5.28	OR 02021	OR 0104	1186362	1786088	1186903	1786144	5056235
1.78 x 6.07	OR 02025	OR 0105	3243139	1186612	1186611	1786143	1486013
1.78 x 6.75	OR 0106	OR 0106	3243009	1186435	1186864		
1.78 x 7.66	OR 02031	OR 0107	1186411	1186717	1186901	1786085	
1.78 x 8.73	OR 0108	OR 0108	1186422	1186707	1186902		
1.78 x 9.25	OR 02037	OR 0110	1186803	1186088	1786087	1786267	
1.78 x 10.82	OR 02043		1186346	1786303	5008673	1186950	
1.78 x 11.11	OR 0114	OR 0114	1186626	1186730	1186877		1786075
1.78 x 12.42	OR 02050		1186352		1186366		
1.78 x 14.00	OR 02056		1186223	1786154	1786061	5037375	
1.78 x 15.60	OR 02062		1186424	1786232	1786159	1786208	
1.78 x 17.17	OR 02068		3243069	1786271		1786165	
1.78 x 18.77	OR 02075		3186440			1186933	5008687
1.78 x 20.35	OR 02081		3243266				1186373
1.78 x 21.95	OR 02087		3243382	1786277			
1.78 x 23.52	OR 02093		1186401				
1.78 x 25.12	OR 02100		3186169				
1.78 x 26.70	OR 02106		3186343		1186863		
1.78 x 28.30	OR 02112		3186754	1186631			
1.78 x 29.87	OR 02118		5010533				
1.78 x 31.47	OR 02125		3243191	1186919	1786139		
1.78 x 33.05	OR 02131		1186003		3186317		
1.78 x 34.65	OR 02137		3243189		5060454	1186929	
1.78 x 47.35	OR 02187		7102065		3186657		
1.78 x 50.52	OR 02200		1186956				
1.78 x 60.05	OR 02237		6456037				
1.78 x 72.75	OR 02287		5059891				
1.78 x 75.92	OR 02300		1186397				
1.78 x 82.27	OR 02325		6456074				
1.78 x 88.62	OR 02350		3186232				
1.78 x 94.97	OR 02375		3122121				
1.78 x 120.37	OR 02475		3122365				
1.78 x 133.07	OR 02525		3186239				

PINS FIorenzato CS



Photo	LF Code	Dimensions	Suitable for	Notes	For machine model
1	1324048	---	FIorenzato A2200188	FOR BREW GROUPS - PER GRUPPI EROGAZIONE	BRICOLETTA - COLOMBINA - DUCALE
2	1324124	---	FIorenzato	FOR STEAM/WATER TAPS - PER RUBINETTI VAPORE/ACQUA	FENICE - VENEZIA
3	5052820	35 mm	FIorenzato A2200266	FOR STEAM/WATER TAPS - PER RUBINETTI VAPORE/ACQUA	PIAZZA SAN MARCO

PIPES FIorenzato CS



Photo	LF Code	Notes	Suitable for	For machine model
1	1449123	ø 1/4" M - ø 8 mm - 110 mm	FIorenzato A2000067	DUCALE - FENICE - MURANO - RIALTO
2	1449124	---	FIorenzato A2000113	DUCALE - FENICE - MURANO - RIALTO

PRECISION COFFEE FILTERS FIorenzato CS



Photo	LF Code	Model	Suitable for	Notes
1	1460100	1 CUP - 6/8 gr - H24.5	FIorenzato CS	---
1	1460101	1 CUP - 7/9 gr - H26.5	FIorenzato CS	---
2	1460102	2 CUPS - 12/18 gr - H24.5	FIorenzato CS	---
2	1460103	2 CUPS - 14/20 gr - H26.5	FIorenzato CS	---
3	1460104	3 CUPS - 18/22 gr - H28.5	FIorenzato CS	---

Filtri progettati per ottenere la perfetta estrazione del caffè, acciaio Aisi 316, certificati alimentare



PRESSURE GAUGES FIORENZATO CS



Photo	LF Code	Scale (bar)	Dimensions A - B - C (mm)	Suitable for	For machine model
1	1245051	0÷3	41 - 60 - 1/8	FIORENZATO A1400024	BRICOLETTA - COLOMBINA
2	1245554	0÷3	52 - 71 - 1/8	FIORENZATO A1400042	PIAZZASANMARCO - VOLANTE
3	1245553	0÷16	52 - 71 - 1/8	FIORENZATO A1400043	PIAZZASANMARCO - VOLANTE
4	1445555	0÷3/0÷18	60 - 65 - 1/8	FIORENZATO A1400020	DUCALE - MURANO
5	1445558	0÷3/0÷18	63 - 70 - 1/8	FIORENZATO A1400019	FENICE - LIDO - VENEZIA

PRESSURE SWITCHES MA-TER



Photo	LF Code	Model	Scale (bar)	Suitable for	For machine model
1	1320012	XP110 - 16A 250V - 1/4"	0.5÷1.5 (1.0)	---	---
3	1320546	XP110 -15A 250V - 1/8"	0.5÷1.2	ASTORIA/CMA 20155	CK - CKE - CKX - CKXE
3	1320022	XP110 -15A 250V - 1/4"	1.0÷2.5	BEZZERA 7433009	BZ02 - BZ35 - BZ99
4	1320536	XP200A -16A 250V - 1/4"	0.5÷1.5	CARIMALI 96.00210	---
3	1320026	XP110 -15A 250V - 1/4"	0.5÷1.5	ECM C199900294	GIOTTO - VENEZIANO
3	1320026	XP110 -15A 250V - 1/4"	0.5÷1.5	ECM MANUFACTURE C199900294	ELEKTRONIKA II PROFI - MECHANIKA
3	1320545	XP110 - 15A 250V - 1/4"	0.5÷1.2	ELEKTRA 01344035	MICROCASA
3	1320003	XP110 - 21A 250V - 1/4"	0.5÷1.2	FIORENZATO CS A2100051	BRICOLETTA - DUCALE
3	1320022	XP110 -15A 250V - 1/4"	1.0÷2.5	GAGGIA 5008001000	GDCOMPACT - GECOMPACT - TS
2	1320002	XP71 ECHO - 16A 250V - 1/4"	0.5÷1.2	GAGGIA S451308	G105 - G106
3	1320027	XP110 - 15A 250V - 1/4"	1.0÷2.5	ISOMAC IS000109	MILLENNIUM - MONDIALE
3	1320545	XP110 - 15A 250V - 1/4"	0.5÷1.2	ISOMAC 451306	MILLENNIUM - MONDIALE - TEA
2	1320002	XP ECHO - 16A 250V - 1/4"	0.5÷1.2	PAVONI 451308	EUROPICCOLA - PROFESSIONAL - ROMANTICA
3	1320545	XP110 - 15A 250V - 1/4"	0.5÷1.2	PAVONI 451306	PUB
3	1320023	XP110 -21A 250V - 1/4"	0.5÷1.5	VIBIEMME ELETPREDSUKIR	DOMOBAR - DOMOBARSUPER
3	1320546	XP110 -15A 250V - 1/8"	0.5÷1.2	WEGA WY20155	ATLAS - COMBI NOVA - FORMULA MILANO - JUNIOR

PRESSURE SWITCHES PARKER



1

Photo	LF Code	Model	Scale (bar)
1	1320541	PS325-1C - 3 POLES - 20A - 1/4"	0.5÷1.4

PRESSURE SWITCHES SIRAI



1



2



3

Photo	LF Code	Model	Scale (bar)
1	1320531	P302/6 - 3 POLES - 30A - 1/4"	0.5÷1.4
2	1320533	P302/6	---
3	1320800	P203T01 - 2 POLES - 20A - 1/4"	0.5÷1.4
3	1320801	P203T02 - 2 POLES - 20A - 1/4"	0.9÷1.7
3	1320802	P303T01 - 3 POLES - 20A - 1/4"	0.5÷1.4
3	1320803	P303T02 - 3 POLES - 20A - 1/4"	0.9÷1.7

PROTECTIVE RUBBERPIECES



1



2



3



4



5

Photo	LF Code	For pipe ø (mm)	Suitable for
1	1186398	8	NUOVA SIMONELLI
1	5030025	10	NUOVA SIMONELLI - SANREMO
2	1187501	8	ALL BRANDS - TUTTE LE MARCHE
2	1186924	10	CASADIO - CIMBALI - FAEMA - FIAMMA
3	1186180	10	ALL BRANDS - TUTTE LE MARCHE
4	1549009	8	ASTORIA/CMA - MCE - WEGA
5	1549011	10	CIMBALI - FAEMA



PROTECTIVE RUBBERPIECES



Photo	LF Code	For pipe \varnothing (mm)	Suitable for
1	1186339	8	ALL BRANDS - TUTTE LE MARCHE
1	1186080	10	ALL BRANDS - TUTTE LE MARCHE
2	1549020	10	GAGGIA
3	1187001	10	SPAZIALE
4	1449172	8	ASTORIA/CMA - ELEKTRA - MARZOCCO - WEGA
5	1649001	10	FRACINO
6	1649002	8	CARIMALI

PTFE FLAT GASKETS



LF Code	Dimensions	Suitable for	Notes
5500622	\varnothing 6x1.8x2 mm	SAECO	FOR STEAM/WATER TAPS - PER RUBINETTI VAPORE/ACQUA
1186718	\varnothing 7x5x1 mm	SPAZIALE	FOR HIDRAULIC SYSTEM - PER IMPIANTO IDRAULICO
1186974	\varnothing 8.5x4.5x1.5 mm	CIMBALI - CASADIO	FOR MANOMETER - PER MANOMETRO
1786291	\varnothing 9.5x6x2 mm	VIBIEMME	FOR BREW GROUPS - PER GRUPPI EROGAZIONE
1186099	\varnothing 10x6x1 mm	BEZZERA - BIANCHI - BRASILIA	FOR BREW GROUPS - PER GRUPPI EROGAZIONE
1186099	\varnothing 10x6x1 mm	PAVONI - RENEKA	FOR BREW GROUPS - PER GRUPPI EROGAZIONE
1186434	\varnothing 10x7x0.5 mm	FAEMA	FOR BREW GROUPS - PER GRUPPI EROGAZIONE
1186359	\varnothing 11.4x8x3 mm	CIMBALI	FOR INLET TAPS - PER RUBINETTI CARICO
1186809	\varnothing 12x9x1 mm	FIAMMA - RANCILIO	FOR BREW GROUPS - PER GRUPPI EROGAZIONE
1186121	\varnothing 12x10x0.5 mm	FAEMA	FOR STEAM/WATER TAPS - PER RUBINETTI VAPORE/ACQUA
1186065	\varnothing 12x10x1 mm	BRASILIA - FIorenZATO - VIBIEMME	FOR STEAM/WATER TAPS - PER RUBINETTI VAPORE/ACQUA
1186908	\varnothing 12x10x2 mm	SAECO	---
1186581	\varnothing 13x3x4 mm	AZKOYEN	---
1186661	\varnothing 13x15.5x1 mm	BRASILIA	FOR STEAM/WATER TAPS - PER RUBINETTI VAPORE/ACQUA
1186945	\varnothing 14x10x1.5 mm	CIMBALI	FOR BOOSTER PUMPS - PER POMPE VOLUMETRICHE
1186794	\varnothing 14.6x12x3 mm	PROMAC	FOR STEAM/WATER TAPS - PER RUBINETTI VAPORE/ACQUA
1186189	\varnothing 15x11x2 mm	ASTORIA/CMA	FOR BREW GROUPS - PER GRUPPI EROGAZIONE
3186273	\varnothing 16.5x12.5x1.5 mm	---	---
1186240	\varnothing 17x12x0.5 mm	FAEMA	FOR BREW GROUPS - PER GRUPPI EROGAZIONE
1186468	\varnothing 17x12x1.5 mm	PAVONI - GAGGIA	---
1186982	\varnothing 17x13x2 mm	GRIMAC	FOR BOILER SAFETY VALVES - PER VALVOLA BOILER
1186982	\varnothing 17x13x2 mm	PAVONI	FOR BREW GROUPS - PER GRUPPI EROGAZIONE
1186982	\varnothing 17x13x2 mm	VIBIEMME	FOR LEVEL CAPS - PER TAPPO LIVELLO
1186079	\varnothing 17x13x3 mm	BRASILIA	FOR BREW GROUPS - PER GRUPPI EROGAZIONE
1186119	\varnothing 17.3x12x2 mm	CONTI	FOR BREW GROUPS - PER GRUPPI EROGAZIONE
1186030	\varnothing 18x3.5x1 mm	EXPOBAR	FOR BREW GROUPS - PER GRUPPI EROGAZIONE
1186443	\varnothing 18x9x0.5 mm	RANCILIO - PROMAC	FOR STEAM/WATER TAPS - PER RUBINETTI VAPORE/ACQUA



FIorenzato C.S.



LF Code	Dimensions	Suitable for	Notes
1186404	∅ 18x13x2 mm	MANY BRANDS - MOLTI MARCHI	SEVERAL APPLICATIONS - MOLTE APPLICAZIONI
1786301	∅ 18x13.5x2 mm	FIAMMA	---
1786166	∅ 18x14x1.5 mm	CIMBALI - CASADIO	FOR BOILER SAFETY VALVES - PER VALVOLA BOILER
1786040	∅ 18.2x13x2.5 mm	EXPOBAR	---
1786251	∅ 19x14.5x2 mm	CARIMALI	FOR BREW GROUPS - PER GRUPPI EROGAZIONE
1786001	∅ 20x13x3 mm	---	---
1186959	∅ 20x15x1 mm	CIMBALI - FAEMA	---
1186594	∅ 20x17x2 mm	BRASILIA	FOR INLET TAPS - PER RUBINETTI CARICO
1186594	∅ 20x17x2 mm	ORCHESTRALE	FOR STEAM/WATER TAPS - PER RUBINETTI VAPORE/ACQUA
1186594	∅ 20x17x2 mm	SANREMO	FOR BREW GROUPS - PER GRUPPI EROGAZIONE
1186201	∅ 21x16.8x2 mm	MANY BRANDS - MOLTI MARCHI	SEVERAL APPLICATIONS - MOLTE APPLICAZIONI
3786036	∅ 22x9x1 mm	---	---
1186326	∅ 22x16x2 mm	MANY BRANDS - MOLTI MARCHI	SEVERAL APPLICATIONS - MOLTE APPLICAZIONI
1186957	∅ 22x17x1.5 mm	CIMBALI - CASADIO	FOR STEAM/WATER TAPS - PER RUBINETTI VAPORE/ACQUA
1186314	∅ 22x17x2 mm	MANY BRANDS - MOLTI MARCHI	SEVERAL APPLICATIONS - MOLTE APPLICAZIONI
3186609	∅ 24x13x1.5 mm	---	---
1186323	∅ 24x18x2 mm	MANY BRANDS - MOLTI MARCHI	SEVERAL APPLICATIONS - MOLTE APPLICAZIONI
1186731	∅ 24x19x2 mm	FIorenzato - MARZOCCO - VIBIEMME	FOR STEAM/WATER TAPS - PER RUBINETTI VAPORE/ACQUA
1786250	∅ 24x20x1.5 mm	CARIMALI	FOR BREW GROUPS - PER GRUPPI EROGAZIONE
3186278	∅ 25x16.5x0.5 mm	---	---
1186969	∅ 25x21x1.5 mm	CIMBALI - CASADIO	FOR FILTER - PER FILTRO
1786283	∅ 25.5x21x5 mm	VIBIEMME	FOR BREW GROUPS - PER GRUPPI EROGAZIONE
3786502	∅ 25.7x21.2x5 mm	EXPOBAR	---
1186516	∅ 26x17x2 mm	SPAZIALE	FOR HEATING ELEMENTS - PER RESISTENZE
1186118	∅ 26x19x2 mm	FIorenzato	FOR STEAM/WATER TAPS - PER RUBINETTI VAPORE/ACQUA
1186117	∅ 26x21x2 mm	MANY BRANDS - MOLTI MARCHI	SEVERAL APPLICATIONS - MOLTE APPLICAZIONI
1186537	∅ 26x22x2 mm	EXPOBAR	FOR BREW GROUPS - PER GRUPPI EROGAZIONE
1186537	∅ 26x22x2 mm	PAVONI	FOR BREW GROUPS - PER GRUPPI EROGAZIONE
1186127	∅ 27x20x0.5 mm	FAEMA	FOR INLET TAPS - PER RUBINETTI CARICO
1186248	∅ 27x20x1 mm	CASADIO	FOR BREW GROUPS - PER GRUPPI EROGAZIONE
1186248	∅ 27x20x1 mm	FAEMA	FOR STEAM/WATER TAPS - PER RUBINETTI VAPORE/ACQUA
1186290	∅ 27x21x2 mm	SAN MARCO	FOR BREW GROUPS - PER GRUPPI EROGAZIONE
1186281	∅ 28x23x2 mm	PAVONI	FOR STEAM/WATER TAPS - PER RUBINETTI VAPORE/ACQUA
1186281	∅ 28x23x2 mm	SAN MARCO	FOR BREW GROUPS - PER GRUPPI EROGAZIONE
1186770	∅ 33x28x4 mm	ASTORIA/CMA	FOR BREW GROUPS - PER GRUPPI EROGAZIONE
1186361	∅ 34x27x2 mm	SAN MARCO	FOR BREW GROUPS - PER GRUPPI EROGAZIONE
3186665	∅ 35x21x2 mm	---	---
1186328	∅ 35x30x2 mm	MANY BRANDS - MOLTI MARCHI	SEVERAL APPLICATIONS - MOLTE APPLICAZIONI
1186307	∅ 36x30x2 mm	MANY BRANDS - MOLTI MARCHI	SEVERAL APPLICATIONS - MOLTE APPLICAZIONI
3786512	∅ 40x34x3 mm	CONTI	---
1186993	∅ 42x33x3 mm	BEZZERA	FOR HEATING ELEMENTS - PER RESISTENZE
1186243	∅ 42x34x0.5 mm	FAEMA	FOR BREW GROUPS - PER GRUPPI EROGAZIONE
1186608	∅ 50x40x2 mm	ASTORIA/CMA - SAN MARCO - SPAZIALE	FOR HEATING ELEMENTS - PER RESISTENZE
1186994	∅ 50x40x5.5 mm	SAN MARCO	FOR BREW GROUPS - PER GRUPPI EROGAZIONE
1186800	∅ 50x44x4 mm	FIorenzato - VIBIEMME	FOR BREW GROUPS - PER GRUPPI EROGAZIONE
1186979	∅ 52x40x2 mm	EXPOBAR	FOR HEATING ELEMENTS - PER RESISTENZE
1186979	∅ 52x40x2 mm	QUICK MILL	FOR HEATING ELEMENTS - PER RESISTENZE
1186623	∅ 53x43x3 mm	MANY BRANDS - MOLTI MARCHI	FOR HEATING ELEMENTS - PER RESISTENZE
3743110	∅ 57x41x2 mm	---	---
1186179	∅ 57x43x3 mm	MANY BRANDS - MOLTI MARCHI	FOR HEATING ELEMENTS - PER RESISTENZE
1186194	∅ 58x43x2 mm	ASTORIA/CMA - ORCHESTRALE	FOR HEATING ELEMENTS - PER RESISTENZE
1186609	∅ 58x51x2 mm	CIMBALI	FOR HEATING ELEMENTS - PER RESISTENZE
1186639	∅ 62x51x2 mm	SPAZIALE	FOR HEATING ELEMENTS - PER RESISTENZE
1186455	∅ 65x47x1.5 mm	RANCILIO - PROMAC	FOR HEATING ELEMENTS - PER RESISTENZE
1186409	∅ 68x55x3 mm	NUOVA SIMONELLI	FOR HEATING ELEMENTS - PER RESISTENZE
1186188	∅ 72x61x2 mm	ASTORIA/CMA	FOR HEAT EXCHANGES - PER SCAMBIATORE
1186297	∅ 73x61x3 mm	---	---
1186155	∅ 76x68.4x3 mm	CONTI	FOR HEATING ELEMENTS - PER RESISTENZE
1786213	∅ 85x70x2 mm	---	---



ROTARY VANE PUMPS PROCON



Photo	LF Code	Flow rate (l/h)	Connections (ø)	Suitable for
1	1330012	200	3/8" NPT	ALL BRANDS - TUTTE LE MARCHE
1	1330024	100	3/8" NPT	PAVONI
1	1330019	100	3/8" NPT	CIMBALI - FAEMA - SPAZIALE
2	1330016	200	3/8" NPT	ALL BRANDS - TUTTE LE MARCHE
3	1330033	180	3/8"	CASADIO - CIMBALI - FAEMA
4	1330011	200	3/8" NPT	FAEMA
5	1330017	150	3/8"	CASADIO - CIMBALI - FAEMA

ROTARY VANE PUMPS ROTOFLOW



Photo	LF Code	Flow rate (l/h)	Connections (ø)	Suitable for
1	1330021	50	3/8"	ALL BRANDS - TUTTE LE MARCHE
1	1330034	70	3/8"	ALL BRANDS - TUTTE LE MARCHE
1	1330008	150	3/8"	ALL BRANDS - TUTTE LE MARCHE
1	1330026	200	3/8"	ALL BRANDS - TUTTE LE MARCHE
1	1330001	100	3/8" NPT	ALL BRANDS - TUTTE LE MARCHE
1	1330029	150	3/8" NPT	ALL BRANDS - TUTTE LE MARCHE
1	1330002	200	3/8" NPT	ALL BRANDS - TUTTE LE MARCHE
1	1330101	100	3/8" NPT ECO BRASS	ALL BRANDS - TUTTE LE MARCHE
1	1330102	200	3/8" NPT ECO BRASS	ALL BRANDS - TUTTE LE MARCHE
1	1330030	200	3/8"	RANCILIO 10705960
2	1330025	70	3/8"	ALL BRANDS - TUTTE LE MARCHE
2	1330004	100	3/8" NPT	ALL BRANDS - TUTTE LE MARCHE
3	1330022	50	3/8"	ALL BRANDS - TUTTE LE MARCHE
3	1330005	100	3/8"	ALL BRANDS - TUTTE LE MARCHE
3	1330122	50	3/8" ECO BRASS	ALL BRANDS - TUTTE LE MARCHE
4	1330031	150	3/8"	CASADIO - CIMBALI - FAEMA
5	1330003	200	3/8" NPT	FAEMA - GRIMAC
6	1330006	200	3/8"	UNIC

SELECTOR SWITCHES FIorenzato CS



1

Photo	LF Code	Positions number	Contact capacity	Suitable for	For machine model
1	1057020	0-2	25A 600V	FIorenzato CS A2100316	DUCALE - FENICE - LIDO - PIAZZA SAN MARCO - VENEZIA

SHOWER HOLDER SPRAYER FIorenzato CS



1

Photo	LF Code	Dimensions (external-height-hole)	Suitable for	For machine model
1	1086595	∅ 58.5 mm - H 7.5 mm - ∅ 6.5 mm	FIorenzato CS A2200236	ACCADEMIA - VENEZIA

SHOWER SCREENS FIorenzato CS



1



2



3



4



5



6

Photo	LF Code	Dimensions	Suitable for	For machine model
1	1081007	∅ 51.5 mm	FIorenzato CS A2200235	VENEZIA
2	1081003	∅ 57.5 mm	FIorenzato CS A2200241	PIAZZASANMARCO
3	1081016	∅ 60.0 mm	FIorenzato CS A2200031	BRICOLETTA - COLOMBINA - DUCALE - FENICE - LIDO
4	1081116	∅ 60.0 mm	FIorenzato CS A2200031	BRICOLETTA - COLOMBINA - DUCALE - FENICE - LIDO
5	1081216	∅ 60.0 mm	FIorenzato CS A2200031	BRICOLETTA - COLOMBINA - DUCALE - FENICE - LIDO
6	1081516	∅ 60.0 mm	FIorenzato CS A2200031	BRICOLETTA - COLOMBINA - DUCALE - FENICE - LIDO



SPACERS



Photo	LF Code	Dimensions (mm)	Material
1	1190101	∅ 64x53x0.7	PAPER/CARTA
1	1190021	∅ 66x58x0.8	PAPER/CARTA
1	1190006	∅ 69x57x0.8	PAPER/CARTA
1	1190005	∅ 70x57x0.5	PAPER/CARTA
1	1190051	∅ 70x57x0.8	PAPER/CARTA
1	1190011	∅ 72x58x0.8	PAPER/CARTA
1	1190001	∅ 73x59x0.8	PAPER/CARTA
2	1190007	∅ 64x53x1.0	EPDM
2	1190003	∅ 70x57x1.0	EPDM
2	1190002	∅ 73x59x1.0	EPDM
3	1190004	∅ 71x58x0.6	VITON

SPECIFIC COUPLINGS FIorenZATO CS



1

Photo	LF Code	Dimensions	Notes	Suitable for	For machine model
1	1349100	∅ 3/8"NPT-3/8"M	FOR PUMPS - PER POMPE	FIorenZATO A1300008	DUCALE - FENICE - LIDO

SPECIFIC SPOUTS - VARIOUS BRANDS



Photo	LF Code	Connection (∅)
1	1022032	3/8
2	1022059	3/8
3	1022505	3/8
4	1022550	3/8
5	1022099	3/8

SPRINGS FIORENZATO CS



Photo	LF Code	Dimensions	Notes	Suitable for	For machine model
1	1250071	∅ 8x32 mm	FOR INLET TAPS - PER RUBINETTI CARICO	FIorenzato A2200205	OLD MODELS
2	1250365	∅ 11.5x30 mm	FOR STEAM/WATER TAPS - PER RUBINETTI VAPORE/ACQUA	FIorenzato A2200002	DUCALE - FENICE
3	1250151	∅ 12x15 mm	FOR WATER/STEAM PIPES - PER TUBI ACQUA/VAPORE	FIorenzato A2200001	BRICOLETTA - DUCALE

STEAM-WATER PIPES FIORENZATO CS



Photo	LF Code	Notes	Suitable for	For machine model
1	1449301	---	FIorenzato A2200064	DUCALE - FENICE - LIDO - MURANO - PIAZZASANMARCO - RIALTO
2	1449302	---	FIorenzato A2200063	DUCALE - FENICE - LIDO - MURANO - PIAZZASANMARCO - RIALTO
3	1449393	---	FIorenzato A2000090	FENICE - MURANO - RIALTO
4	1549016	---	FIorenzato A2000095	COLOMBINA - BRICOLETTA
5	1449394	---	FIorenzato A2200044	---

STEAM-WATER PIPES FIORENZATO CS



Photo	LF Code	Notes	Suitable for	For machine model
1	1449012	---	FIorenzato A2200008	FENICE - MURANO - PIAZZASANMARCO - RIALTO
2	1449304	---	FIorenzato A2200022	DUCALE - FENICE
3	1549014	---	FIorenzato A2000096	BRICOLETTA
4	1549015	---	FIorenzato A2000157	DUCALE COMPACT
5	1449332	---	FIorenzato A2200012	---



STEAM-WATER TAPS FIORENZATO CS



Photo	LF Code	Suitable for	For machine model
1	1548002	FIORENZATO CS A2200231	DUCALE - LIDO
2	1348057	FIORENZATO CS A2200066	DUCALE - LIDO
3	1548001	FIORENZATO CS A2200080	BRICOLETTA - COLOMBINA - VOLANTE
4	1348211	FIORENZATO CS A2200021	FENICE - VENEZIA
5	1349521	FIORENZATO CS A2200036	BRICOLETTA - COLOMBINA - VOLANTE
6	5058054	FIORENZATO CS A2200264	PIAZZA SAN MARCO

STEAM-WATER TAPS FIORENZATO CS



Photo	LF Code	Suitable for	For machine model
1	1523075	FIORENZATO CS A2200203	PIAZZA SAN MARCO
2	5058055	FIORENZATO CS A1300120	PIAZZA SAN MARCO
3	5052818	FIORENZATO CS A2200265	PIAZZA SAN MARCO
4	1348213	FIORENZATO CS A2200004	DUCALE - FENICE - LIDO - PIAZZA SAN MARCO - VENEZIA
5	1186322	FIORENZATO CS A2200211	DUCALE - LIDO
6	1186670	FIORENZATO CS A2200003	VENEZIA - VOLANTE

SWITCHES FIORENZATO CS



Photo	LF Code	Notes	Suitable for	For machine model
1	3319252	SWITCH - INTERRUTTORE / 16A 250V	FIORENZATO CS A2100038	DUCALE
2	3319296	SWITCH - INTERRUTTORE / 16A 250V	FIORENZATO CS A2100093	BRICOLETTA - DUCALE - PIAZZA SAN MARCO
3	1319271	SWITCH - INTERRUTTORE / 16A 250V	FIORENZATO CS A2100043	COLOMBINA - DUCALE
4	1319514	SWITCH - INTERRUTTORE / 16A 250V	FIORENZATO CS A2100045	LIDO - VENEZIA
5	1319464	SWITCH - INTERRUTTORE / 16A 250V	FIORENZATO CS A2100094	FENICE
6	1319463	PUSH BUTTON - PULSANTE / 16A 250V	FIORENZATO CS A2100041	FENICE - LIDO



SWITCHES FIORENZATO CS



Photo	LF Code	Notes	Suitable for	For machine model
1	1319513	SWITCH - INTERRUPTORE / 16A 250V	FIORENZATO CS A2100044	BRICOLETTA - COLOMBINA - VOLANTE
2	1319583	---	FIORENZATO CS A1500001	DUCALE - RIALTO - ACCADEMIA
3	1319272	---	FIORENZATO CS A1500091	DUCALE
4	5024214	---	FIORENZATO CS A1500002	BRICOLETTA
5	1319462	---	FIORENZATO CS A1500034	FENICE

THERMOSTATS



Photo	LF Code	Features	Suitable for	For machine model
1	5024998	147°C	PAVONI 436042	BAR
2	3444142	150°C	BEZZERA 7434001	B2000 - ELLISSE
2	3444142	150°C	FAEMA 3231133006	E91 - E92 - E97 - E98 - DUE - SMART
1	1444509	169°C	ASTORIA/CMA 20300015	PLUS4YOU
1	1444509	169°C	CARIMALI 95.01594	ETABETA V2 - E9 ESPRESSO - KIKKO - KIKKO2 - TEMA STYLE
1	1444509	169°C	CASADIO 531193100	DODICI
1	1444509	169°C	CIMBALI 531-193-100	M20 - M21 - M27 - M28 - M29 - M30 - M31 - M32 - M39
1	1444509	169°C	ELEKTRA 02790035	CLASSIC - MODERN - SIXTIES
1	1444509	169°C	FAEMA 531193100	DUE SMART - ELITE - EMBLEMA - ENOVA - E61 - E98 COMPACT
1	1444509	169°C	FIORENZATO CS A1400032	PIAZZASANMARCO
1	1444509	169°C	FUTURMAT 07476906	CUSTOM - E61 - F3 - PALANCA - RIMINI
1	1444509	169°C	GAGGIA SPAGNA 07476906	BELLA - G6 - KB - NERA - PALANCA
1	1444509	169°C	ITALCREM 07476906	CAPRI - IT4 - PALANCA
1	1444509	169°C	MAIRALI 07476906	ARIANNE - GIULIETTA - PALANCA
1	1444509	169°C	MCE 20300015	START
1	1444509	169°C	ORCHESTRALE D20300015	ETNICA - PHONICA
1	1444509	169°C	PROMAC 34200095	GREEN - COMPACT - CLUB
1	1444509	169°C	SAN MARCO 108463	105 - 100 - 85 - 95 - LEVA - 105 NEW
1	1444509	169°C	SANREMO 10111015	AMALFI - CAPRI - MILANO LX - PISA - TORINO - VENEZIA
1	1444509	169°C	SPAZIALE 01477	NEW - RAPID - SELETRON - SPAZIO - SUPER 3000 - S1 VIVALDI
1	1444509	169°C	VISACREM 07476906	BRAVA - NERA - PALANCA - V6
1	1444509	169°C	WEGA WY20300015	CONCEPT
1	3444442	170°C	GAGGIA 5024007000	GD - GE - LCD - XD - XE
1	3444442	170°C	SAECO WGA5001013000	AROMA
3	1444004	187°C	CIMBALI 531-191-800	JUNIOR - M29 - M30 - M32 - M39 - M39GT
3	1444004	187°C	FAEMA 531191800	ELITE - EMBLEMA - ENOVA - E61 - E98 COMPACT - SMART
3	1444004	187°C	PROMAC 34200096	CLUB - COMPACT - GREEN
3	1444004	187°C	RANCILIO 34200096	CLASSE10 - S20
3	1444004	187°C	SANREMO 10111012	AMALFI - CAPRI - MILANO LX - PISA - TORINO - VENEZIA



Photo	LF Code	Features	Suitable for	For machine model
3	1444004	187°C	SPAZIALE 08019	S5 COMPACT

UNIVERSAL CONTACT THERMOSTATS



Photo	LF Code	Temperature °C
1	1443017	85
1	1444506	90
1	1443010	93
1	1444003	95
1	1443005	98
1	1443011	100
1	1443072	104
1	1443400	107
1	1443071	110
1	3443081	125
1	1443401	135
1	1443004	145
2	1443070	135
2	1444206	145
2	1443002	165
3	1443079	95
3	3443026	110
3	5027936	125
3	1443066	130
3	1444521	155
3	1443034	200
4	5027937	170
4	1443012	180
5	1443055	125
5	5035435	140
5	1443063	143
6	1443030	---

UNIVERSAL FILTER HOLDER KNOBS



Photo	LF Code	Connection	Suitable for
1	1241505	M10	ALL BRANDS - TUTTE LE MARCHE
1	1241504	M12	ALL BRANDS - TUTTE LE MARCHE
2	1241269	M10	ALL BRANDS - TUTTE LE MARCHE
2	1241169	M12	ALL BRANDS - TUTTE LE MARCHE
3	1241502	M10	ALL BRANDS - TUTTE LE MARCHE
3	1241501	M12	ALL BRANDS - TUTTE LE MARCHE

UNIVERSAL FILTER HOLDER KNOBS



Photo	LF Code	Connection	Suitable for
1	5051751	M10	ALL BRANDS - TUTTE LE MARCHE
1	5051102	M12	ALL BRANDS - TUTTE LE MARCHE
2	5054506	M10	ALL BRANDS - TUTTE LE MARCHE
2	5054505	M12	ALL BRANDS - TUTTE LE MARCHE

UNIVERSAL FILTER HOLDER KNOBS



Photo	LF Code	Connection	Suitable for
1	1141006	M10	ALL BRANDS - TUTTE LE MARCHE
1	1141007	M12	ALL BRANDS - TUTTE LE MARCHE
2	1141004	M10	ALL BRANDS - TUTTE LE MARCHE
2	1141003	M12	ALL BRANDS - TUTTE LE MARCHE

VARIOUS CAPPUCCINATORE



Photo	LF Code	Suitable for
1	1079016	BIANCHI - SAN MARCO
2	1079030	ASTORIA/CMA - MCE - ORCHESTRALE
3	1079023	ASTORIA/CMA - CARIMALI - NUOVA SIMONELLI - WEGA
4	1079009	SAECO
5	1079010	SAECO
6	5501292	PAVONI



VENT VALVES



Photo	LF Code	Technical notes	Suitable for
1	1523537	∅ 1/4" M VITON	ALL BRANDS - TUTTE LE MARCHE
2	1523534	∅ 1/4" M PTFE AND VITON	ALL BRANDS - TUTTE LE MARCHE
3	1523538	∅ 1/4" M	ALL BRANDS - TUTTE LE MARCHE

VOLUMETRIC FLOWMETERS GICAR



Photo	LF Code	Model	Suitable for	For machine model
1	1455067	9.0.55.02G / ∅ 1/4" FF / ∅ 1.15 mm	ASTORIA/CMA 18126	ARGENTA - BRAVA - DIVINA - DORA - GLORIA - GLORIA R12
1	1455067	9.0.55.02G / ∅ 1/4" FF / ∅ 1.15 mm	BEZZERA 7431001	B2000 - B2006 - B2009 COMPACT - B2013 - B3000 - B4000
1	1455067	9.0.55.02G / ∅ 1/4" FF / ∅ 1.15 mm	BFC 5032012	CLASSICA - DELUX - GALILEO - GRANDOGE - IMOLA - JUNIOR
1	1455067	9.0.55.02G / ∅ 1/4" FF / ∅ 1.15 mm	BRUGNETTI-AURORA 95.01205	---
1	1455005	9.0.78.02G / ∅ 1/4" FF / ∅ 1.15 mm	CONTI 403466V	SK2
1	1455067	9.0.55.02G / ∅ 1/4" FF / ∅ 1.15 mm	EXPOBAR 60100045	ELEN - EXPRESSO - G10 - MARKUS - MARKUS SILVER
1	1455067	9.0.55.02G / ∅ 1/4" FF / ∅ 1.15 mm	FIorenzato CS A1500026	BRICOLETTA - DUCALE - FENICE - LIDO - VENEZIA
1	1455067	9.0.55.02G / ∅ 1/4" FF / ∅ 1.15 mm	FUTURMAT 08307500	ARIETE - F3 - RIMINI
1	1455060	9.0.93.02G / ∅ 1/4" FF / ∅ 1.15 mm	GAGGIA 11013052	DECO - GD - GE - XD - XE
1	1455067	9.0.55.02G / ∅ 1/4" FF / ∅ 1.15 mm	GRIMAC 1160900001-GR102	MIA - NEW CIALDA VAPOR - SELENITE DOUBLE - TWENTY
1	1455067	9.0.55.02G / ∅ 1/4" FF / ∅ 1.15 mm	MCE 18126	START
1	1455067	9.0.55.02G / ∅ 1/4" FF / ∅ 1.15 mm	NUOVA SIMONELLI 04900027	APPIA - APPIA COMPACT - AURELIA - AURELIAII - MACDIGIT
1	1455067	9.0.55.02G / ∅ 1/4" FF / ∅ 1.15 mm	ORCHESTRALE D18126	ETNICA - PHONICA
1	1455067	9.0.55.02G / ∅ 1/4" FF / ∅ 1.15 mm	RENEKA 9008954	LC - LIFE - PRESTIGE - VIVA
1	1455067	9.0.55.02G / ∅ 1/4" FF / ∅ 1.15 mm	ROYAL 5032012	DIADEMA - SYNCHRO
1	1455060	9.0.93.02G / ∅ 1/4" FF / ∅ 1.15 mm	SAECO 11013052	AROMA
1	1455067	9.0.55.02G / ∅ 1/4" FF / ∅ 1.15 mm	SAN MARCO 108192	NEW 105 - 100 - 105 - 85 - 95
1	1455067	9.0.55.02G / ∅ 1/4" FF / ∅ 1.15 mm	SANREMO 10112131A	MILANO LX
1	1455067	9.0.55.02G / ∅ 1/4" FF / ∅ 1.15 mm	SCALA C-0215	BUTTERFLY - CARMEN - EROICA
1	1455067	9.0.55.02G / ∅ 1/4" FF / ∅ 1.15 mm	VIBIEMME ELETCONTVOLOT	CHIMAERA - CUBO - DOMOBARSUPER - DOSAPLUS - EVOLUTION
1	1455067	9.0.55.02G / ∅ 1/4" FF / ∅ 1.15 mm	VICTORIA ARDUINO 04900027	ADONIS - VENUS CENTURY
1	1455067	9.0.55.02G / ∅ 1/4" FF / ∅ 1.15 mm	WEGA WY18126	ATLAS - ATLAS 10 - COLOSSEUM - COMBI NOVA - CONCEPT
2	1455068	9.0.55.50G / ∅ 1/8" FF / ∅ 1.15 mm	BRASILIA 16054.2.00.08	ROMA
2	1455068	9.0.55.50G / ∅ 1/8" FF / ∅ 1.15 mm	CIMBALI 534-391-020	M20 - M21 JUNIOR - M22 - M27 - M27 START - M28 - M29
2	1455068	9.0.55.50G / ∅ 1/8" FF / ∅ 1.15 mm	FAEMA 534391020	E98 COMPACT
2	1455068	9.0.55.50G / ∅ 1/8" FF / ∅ 1.15 mm	FIAMMA RST 5.0.000.1012	ATLANTIC - MARINA - PRESTIGE
2	1455068	9.0.55.50G / ∅ 1/8" FF / ∅ 1.15 mm	PAVONI 438020	---
2	1455068	9.0.55.50G / ∅ 1/8" FF / ∅ 1.15 mm	SANREMO 10112290	AMALFI - CAPRI - PISA - TORINO - VERONA - ZOE
3	1455026	9.0.54.05G / ∅ 1/4" FF / ∅ 1.15 mm	FRACINO FC92	BAMBINO
3	1455026	9.0.54.05G / ∅ 1/4" FF / ∅ 1.15 mm	MARZOCCO LAD070	FB70 - FB80 - GB5 - GS3 - LINEA - MISTRAL
3	1455352	9.0.78.00G / ∅ 1/4" FF / ∅ 1.15 mm	PROMAC 34070050	CLUB - COMPACT - GREEN

Photo	LF Code	Model	Suitable for	For machine model
3	1455352	9.0.78.00G / ø 1/4"FF / ø 1.15 mm	RANCILIO 34070050	CLASSE10 - CLASSE9 - EPOCA
4	1455001	9.0.69.03G / ø 1/4"FF / ø 1.15 mm	SPAZIALE 02498	NEW - RAPID - S1 - S2 - S3 - S40 - S5 - S8

VOLUMETRIC FLOWMETERS GICAR ACCESSORIES



Photo	LF Code	Model	Notes
1	3455333	9.0.16.50G	LED
2	5052706	9.0.15.51G	NO LED
3	1455032	6.9.23.05G	---
4	1186631	---	---
5	1455033	8.6.17.14	---

WASHERS UNI ISO



LF Code	Dimensions	Suitable for	Notes
3528238	ø 9x4x0.8 mm UNI 6592	GAGGIA S401004	FOR BREW GROUPS - PER GRUPPI EROGAZIONE
3528238	ø 9x4x0.8 mm UNI 6592	GRIMAC GR356	G105 - G106
3528238	ø 9x4x0.8 mm UNI 6592	PAVONI 401004	EUROPICCOLA - PROFESSIONAL - ROMANTICA - STRADIVARI
1528117	ø 12x4x1 mm UNI 6593	GRIMAC 1300900128	SEVERAL APPLICATIONS - MOLTE APPLICAZIONI
1186192	ø 10x5x1 mm UNI 6592	SPAZIALE 00246	FOR BREW GROUPS - PER GRUPPI EROGAZIONE
1186315	ø 15x5x1.2 mm UNI 6593	CIMBALI 590-733-000	FOR LEVEL - PER LIVELLO
3528010	ø 12x6x1.6 mm UNI 6592	FAEMA 4054043102	FOR BREW GROUPS - PER GRUPPI EROGAZIONE
3528010	ø 12x6x1.6 mm UNI 6592	GRIMAC 1110400003-GR723	FOR BREW GROUPS - PER GRUPPI EROGAZIONE
3528010	ø 12x6x1.6 mm UNI 6592	PAVONI 401061	FOR BREW GROUPS - PER GRUPPI EROGAZIONE
3528010	ø 12x6x1.6 mm UNI 6592	SPAZIALE 01746	FOR BREW GROUPS - PER GRUPPI EROGAZIONE
1528008	ø 16x8x1.6 mm UNI 6592	BRASILIA 01290.0.00.03	FOR BREW GROUPS - PER GRUPPI EROGAZIONE
1528008	ø 16x8x1.6 mm UNI 6592	ELEKTRA 01816035	FOR BREW GROUPS - PER GRUPPI EROGAZIONE
1528008	ø 16x8x1.6 mm UNI 6592	GAGGIA WGAUN6592-8Z	FOR BREW GROUPS - PER GRUPPI EROGAZIONE
1528008	ø 16x8x1.6 mm UNI 6592	PAVONI 401065	FOR BREW GROUPS - PER GRUPPI EROGAZIONE
1528008	ø 16x8x1.6 mm UNI 6592	SPAZIALE 00416	FOR BREW GROUPS - PER GRUPPI EROGAZIONE
1528008	ø 16x8x1.6 mm UNI 6592	VIBIEMME VITERONGR8MA	FOR BREW GROUPS - PER GRUPPI EROGAZIONE
1528008	ø 16x8x1.6 mm UNI 6592	RENEKA 9001335	FOR STEAM/WATER TAPS - PER RUBINETTI VAPORE/ACQUA
1528008	ø 16x8x1.6 mm UNI 6592	VIBIEMME RACCROPIRU	FOR STEAM/WATER TAPS - PER RUBINETTI VAPORE/ACQUA
1528020	ø 18x8x1.3 mm UNI 6593	PROMAC 32239044	FOR STEAM/WATER TAPS - PER RUBINETTI VAPORE/ACQUA
1528020	ø 18x8x1.3 mm UNI 6593	RANCILIO 32239044	FOR STEAM/WATER TAPS - PER RUBINETTI VAPORE/ACQUA
1186504	ø 20x10.6x2 mm UNI 6592	FAEMA 4041135933	FOR BREW GROUPS - PER GRUPPI EROGAZIONE
1186504	ø 20x10.6x2 mm UNI 6592	PROMAC 39520008	FOR BREW GROUPS - PER GRUPPI EROGAZIONE
1186504	ø 20x10.6x2 mm UNI 6592	RANCILIO 39520008	FOR BREW GROUPS - PER GRUPPI EROGAZIONE
3528211	ø 28x15x2.5 mm UNI 6592	PAVONI 401075	FOR STEAM/WATER TAPS - PER RUBINETTI VAPORE/ACQUA



WASHERS VARIOUS



LF Code	Dimensions	Suitable for	Notes
1528054	∅ 12x5x1 mm	ASTORIA/CMA 23260014	FOR BREW GROUPS - PER GRUPPI EROGAZIONE
1528059	∅ 18x6.5x1.5 mm	BFC 0540030	FOR STEAM/WATER TAPS - PER RUBINETTI VAPORE/ACQUA
1186036	∅ 21.5x6.5x2 mm	BIANCHI 18004971	FOR STEAM/WATER TAPS - PER RUBINETTI VAPORE/ACQUA
1528059	∅ 18x6.5x1.5 mm	CARIMALI 93.00058	FOR STEAM/WATER TAPS - PER RUBINETTI VAPORE/ACQUA
1186299	∅ 22x16x1 mm	CASADIO 590715000	FOR STEAM/WATER TAPS - PER RUBINETTI VAPORE/ACQUA
1186299	∅ 22x16x1 mm	CIMBALI 590-715-000	FOR STEAM/WATER TAPS - PER RUBINETTI VAPORE/ACQUA
1186036	∅ 21.5x6.5x2 mm	EXPOBAR 25012521	FOR STEAM/WATER TAPS - PER RUBINETTI VAPORE/ACQUA
1186299	∅ 22x16x1 mm	FAEMA 590715000	FOR STEAM/WATER TAPS - PER RUBINETTI VAPORE/ACQUA
1186399	∅ 30x17x3 mm	GAGGIA WGAUN6592-17Z	FOR LEVEL - PER LIVELLO
1186299	∅ 22x16x1 mm	GRIMAC 1300900055-G207	FOR STEAM/WATER TAPS - PER RUBINETTI VAPORE/ACQUA
1528059	∅ 18x6.5x1.5 mm	MARZOCCO L165/9	FOR STEAM/WATER TAPS - PER RUBINETTI VAPORE/ACQUA
1186036	∅ 21.5x6.5x2 mm	MARZOCCO L165/9B	FOR STEAM/WATER TAPS - PER RUBINETTI VAPORE/ACQUA
1186399	∅ 30x17x3 mm	NUOVA SIMONELLI 00200011	FOR STEAM/WATER TAPS - PER RUBINETTI VAPORE/ACQUA
1186399	∅ 30x17x3 mm	SAECO WGAUN6592-17Z	FOR LEVEL - PER LIVELLO
1186142	∅ 23x15x0.5 mm	SAN MARCO 205584	FOR STEAM/WATER TAPS - PER RUBINETTI VAPORE/ACQUA
1528059	∅ 18x6.5x1.5 mm	SANREMO 10402040	FOR STEAM/WATER TAPS - PER RUBINETTI VAPORE/ACQUA
1186416	∅ 15x11x2 mm	SPAZIALE 00523	FOR STEAM/WATER TAPS - PER RUBINETTI VAPORE/ACQUA
1528141	∅ 22x6.5x5 mm	VIBIEMME RACCROBLMAEVO	FOR STEAM/WATER TAPS - PER RUBINETTI VAPORE/ACQUA
1528054	∅ 12x5x1 mm	WEGA WY23260014	FOR BREW GROUPS - PER GRUPPI EROGAZIONE

WATER FILTERS



Photo	LF Code	Dimensions	Suitable for
1	1160017	∅ 8x1.5 mm	SPAZIALE 02284
1	1160511	∅ 9x1.5 mm	CIMBALI 481-361-000
1	1160023	∅ 11x2 mm	SAN MARCO 202232
1	1160068	∅ 18 mm	CASADIO 490055000 - CIMBALI 490-055-000
2	1160400	∅ 11 mm	ASTORIA/CMA 10254 - WEGA WY10254
3	1160501	∅ 14x10x12 mm	ASTORIA/CMA 10252 - BEZZERA 5471002
3	1160501	∅ 14x10x12 mm	BRASILIA 00086.0.00.04 - PAVONI 330051
4	1160021	∅ 18x20 mm	ELEKTRA 00111035
5	1160801	M8x1	RANCILIO 10705003
6	1160012	∅ 11 mm	RANCILIO 10706070

WATER FILTERS



Photo	LF Code	Dimensions	Suitable for
1	1160523	∅ 5.9 mm	CARIMALI 14.00795
1	1160311	∅ 7 mm	BIANCHI 43144416 - FUTURMAT 07362205
2	1160536	∅ 7 mm	SPAZIALE 00275
1	1160566	∅ 8 mm	ASTORIA/CMA 10251001 - WEGA WY10251001
1	1160566	∅ 8 mm	NUOVA SIMONELLI 98004001
1	1160011	∅ 9 mm	BRASILIA 09756.0.00.04 - CIMBALI 4771-116-081
1	1160516	∅ 11 mm	ASTORIA/CMA 10251002 - FUTURMAT 02435808
3	1160519	∅ 14 mm	PAVONI 326202
4	1160346	∅ 14 mm	CONTI 327154
5	1160087	∅ 15 mm	SANREMO 10052139A

WATER FILTERS



Photo	LF Code	Dimensions	Suitable for
1	1160507	∅ 8.5x15 mm	FUTURMAT 08298700
2	1160517	∅ 8.5x22 mm	GROUP E61
3	1160074	∅ 8.5x25 mm	CIMBALI 533-100-400
4	1160338	∅ 8x13 mm	CONTI 403458

WATER INLET TAPS FIORENZATO CS




















Photo	LF Code	Notes	Suitable for	For machine model
1	1348210	---	FIORENZATO A2200009	OLD MODELS - MODELLI VECCHI
2	1358001	---	FIORENZATO A2200202	DUCALE - FENICE - LIDO - PIAZZA SAN MARCO - VENEZIA
3	1523412	---	FIORENZATO A2200203	---
4	1523437	---	FIORENZATO A2200215	---

The data herewith contained may change without notice and LF SpA cannot be held responsible for possible errors stated or resulting by the use of this document. All rights reserved. No part of this publication may be reproduced without written permission by LF SpA.



Distributing Components, Spare Parts & Accessories in original quality worldwide

-
-  **LF SpA HEADQUARTERS**
via Voltri, 80 - 47522 Cesena (FC) ITALY
Tel. +39 0547 34 11 11 - Fax +39 0547 34 11 10
www.lfcomb724.it - www.lfcomb724.mobi - info@lfcomb.it
Export Dept.: Tel. +39 0547 34 11 50 - Fax: +39 0547 34 11 55
www.lfspareparts724.com - www.lfspareparts724.mobi
export@lfspareparts.com
 -  **OOO LF RUSSIAN FEDERATION**
Ul. Anatoliya Zhivova, 8 - office 1 - 123100 Moscow
Tel. +7 499 259 85 75
Fax +7 495 725 26 53
www.lfspareparts724.ru
www.lfspareparts724.mobi
info@lfspareparts.ru
 -  **EPGC Sas FRANCE**
13, Rue des Forts - 59960 Neuville en Ferrain
Tel. +33 (0)3 20 25 06 21
Fax +33 (0)3 20 25 34 12
www.epgc.com
www.epgc724.mobi
epgc@epgc.com
 -  **LF Repuestos Horeca S.L.U. SPAIN**
Calle Ciudad Real, 10 - 45517 Escalonilla - Toledo
Tel. +34 91 477 91 00
Fax +34 91 477 90 81
www.lfrepuestos-horeca724.es
www.lfrepuestos724.mobi
info@lfrepuestos.es
 -  **LF GmbH GERMANY**
Junkersstrasse, 1 - D-82178 Puchheim - München
Tel. +49 89 89 45 78 66
Fax +49 89 89 45 78 88
www.lfersatzteile724.de
www.lfersatzteile724.mobi
info@lfersatzteile.de
 -  **LF SpA Cesena (IT) Swiss Branch Steinhausen SWITZERLAND**
Sennweidstrasse, 45 - CH-6312 Steinhausen
Tel. +41 (0)41 760 15 80-1
Fax +41 (0)41 760 15 85
www.lfersatzteile724.ch
www.lfersatzteilech724.mobi
info@lfersatzteile.ch
 -  **LF China REPUBLIC OF CHINA**
Room 403, No.2, Huadu Mansion, Lane 422, Huanghua Rd.
Minhang Dist. - 201103 Shanghai
Tel. +86 (0)21 33 53 66 31
Fax +86 (0)21 33 53 66 32
www.lfspareparts724.com
www.lfspareparts724.mobi
china@lfspareparts.com
 -  **LF Spare Parts Ltd. UNITED KINGDOM**
A10a Lakeside Business Park, Broadway Lane
South Cerney, Gloucestershire GL7 5XL
Tel. +44 (0)1285 86 16 25
Fax +44 (0)1285 86 39 49
www.lfspareparts724.co.uk
www.lfspareparts724.mobi
info@lfspareparts.co.uk
-
-  **AUSTRALIA AND NEW ZEALAND**
www.lfspareparts724.com
andrea.calvio@lfspareparts.com
 -  **DENMARK**
www.lfspareparts724.dk
michael.lenth@lfspareparts.com
 -  **AUSTRIA**
www.lfspareparts724.at
ludwig.neier@lfersatzteile.at
 -  **SOUTH KOREA**
www.lfspareparts724.com
fabio.doni@lfspareparts.com
 -  **BALKAN COUNTRIES**
www.lfspareparts724.com
matija.ramov@lfspareparts.com
 -  **TURKEY**
www.lfyedekparca724.com
basar.ergun@lfyedekparca.com
 -  **BALTIC COUNTRIES**
www.lfspareparts724.com
inara.silina@lfspareparts.com
 -  **USA AND CANADA**
www.lfspareparts724.us
sauro.dallaglio@lfspareparts.us
howard.truitt@lfspareparts.us
 -  **CENTRAL AND EASTERN EUROPE**
www.lfspareparts724.cz
jiri.kremla@lfspareparts.cz