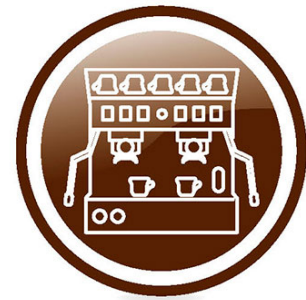




Spare parts for:

## Espresso coffee machines



Suitable for:

# GAGGIA



This catalogue is automatically generated.  
Therefore, the sequence of the items might  
not be always shown at best.

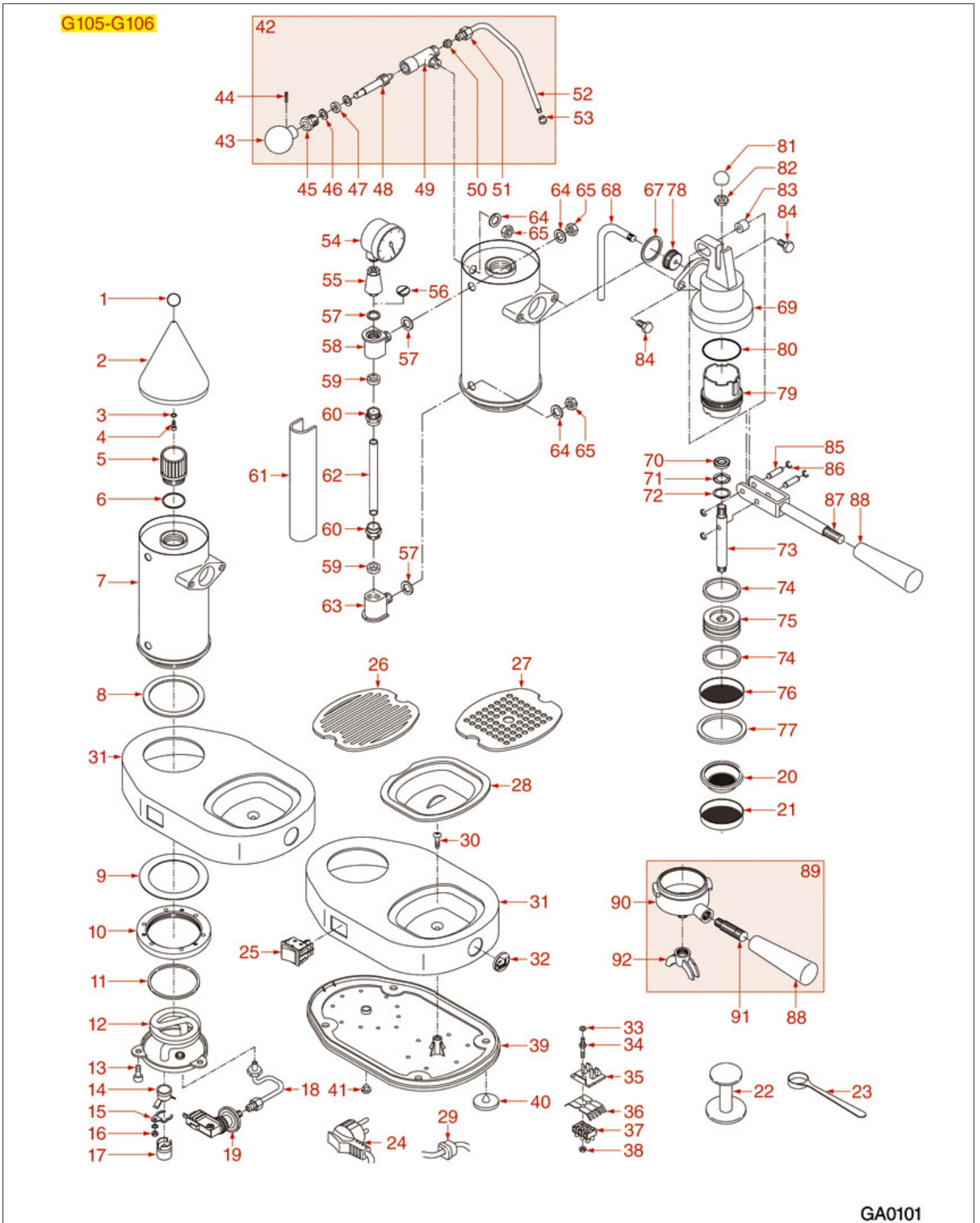
Updates will be issued in case of additions  
and/or amendments.

*Suitable **universal spare parts** may not be included*





## COFFEE MACHINE MOD. G105-G106





# GAGGIA



Position	LF code no.	Description
3	1348814	TOOTHED WASHER EXT. M4
6	1186480	EPDM O RING 04112
8	1186483	BOILER GASKET ø 93x80x2 mm
8	5501123	BOILER GASKET ø 108x80x2 mm
9	5501123	BOILER GASKET ø 108x80x2 mm
10	5008254	RING ø 95 mm FOR BOILER FIXING
11	1186641	O-RING 0176 EPDM
12	1755050	HEATING ELEMENT 920/1000W 230/240V
12	1755166	HEATING ELEMENT 1000W 110V
13	1184012	CYLINDER HEAD SCREW M5x10
14	1443007	CONTACT THERMOSTAT 127°C 16A 250V
15	3528238	FLAT WASHER M4
16	3528232	HEXAGONAL NUT MEDIUM SIZE M4
18	1449122	PRESSURE SWITCH PIPE
19	1320002	PRESSURE SWITCH 0.5-1.2 BAR 1/4"
20	1160113	1 CUP FILTER ø 60 mm
21	1160013	2 CUPS FILTER
22	1385002	NYLON COFFEE TAMPER ø 50/57 mm
23	1069001	PLASTIC MEASURING SPOON 20 ml
24	5008206	POWER CORD 16A 250V 2000 mm
25	1319128	RED BIPOLAR SWITCH 16A 250V
25	3319944	SWITCH 2-POLE GREEN 16A 250V
26	1185002	PLASTIC CUP SUPPORT GRID
27	1185001	CHROME-PLATED STEEL CUP SUPPORT GRID
28	1015001	PLASTIC TRAY
29	5008195	SELF-LOCKING GROMMET
31	5014758	CHROME PLATED BASE
39	1015007	UNDERBASE TRAY
40	1313003	FOOT ø 30 mm
46	1186474	FLAT NBR GASKET ø 12x7x5 mm
47	1528029	BRASS WASHER FLAT ø 12x7x1 mm
48	5027689	STEAM TAP PIN
57	1186468	EFLON FLAT GASKET ø 17x12x1.5 mm
59	1186469	FLAT SILICONE GASKET ø 15x9x5 mm
61	1201016	LEVEL PLATE
62	1520007	LEVEL GLASS ø 9x132 mm
64	1528025	BRASS WASHER FLAT ø 17x12x1 mm
65	1528027	NUT M12 FOR STEAM TAP
67	3186247	O-RING 03112 EPDM
68	5027687	SUCTION PIPE
70	1186470	LIP SEAL ø 21x11x4.5 mm
71	1528024	PUNCHED WASHER ø 19.7x13x0.9 mm
72	1348050	SEEGER RING J-20
73	5501148	PISTON TIE ROD FOR GROUP
74	1186467	LIP SEAL ø 44x36x5.5 mm
75	1321002	PISTON FOR LEVER GROUP
76	1081020	SHOWER ø 54 mm
78	5501139	DELIVERY GROUP CAP WITH JACKET
79	5029493	JACKET FOR COFFEE GROUP
80	1186087	O-RING 0152 EPDM
83	1192015	ARTICULATION BUSHING
85	1324092	FORK PIN
86	1250023	RADIAL SEEGER RING ø 5 mm
87	5032977	GROUP CONTROL LEVER
88	1241055	FILTER HOLDER KNOB M12
89	1165018	2 CUPS FILTER HOLDER ASSEMBLY PAVONI/GA
92	1022524	DOUBLE SPOUT ø 3/8"

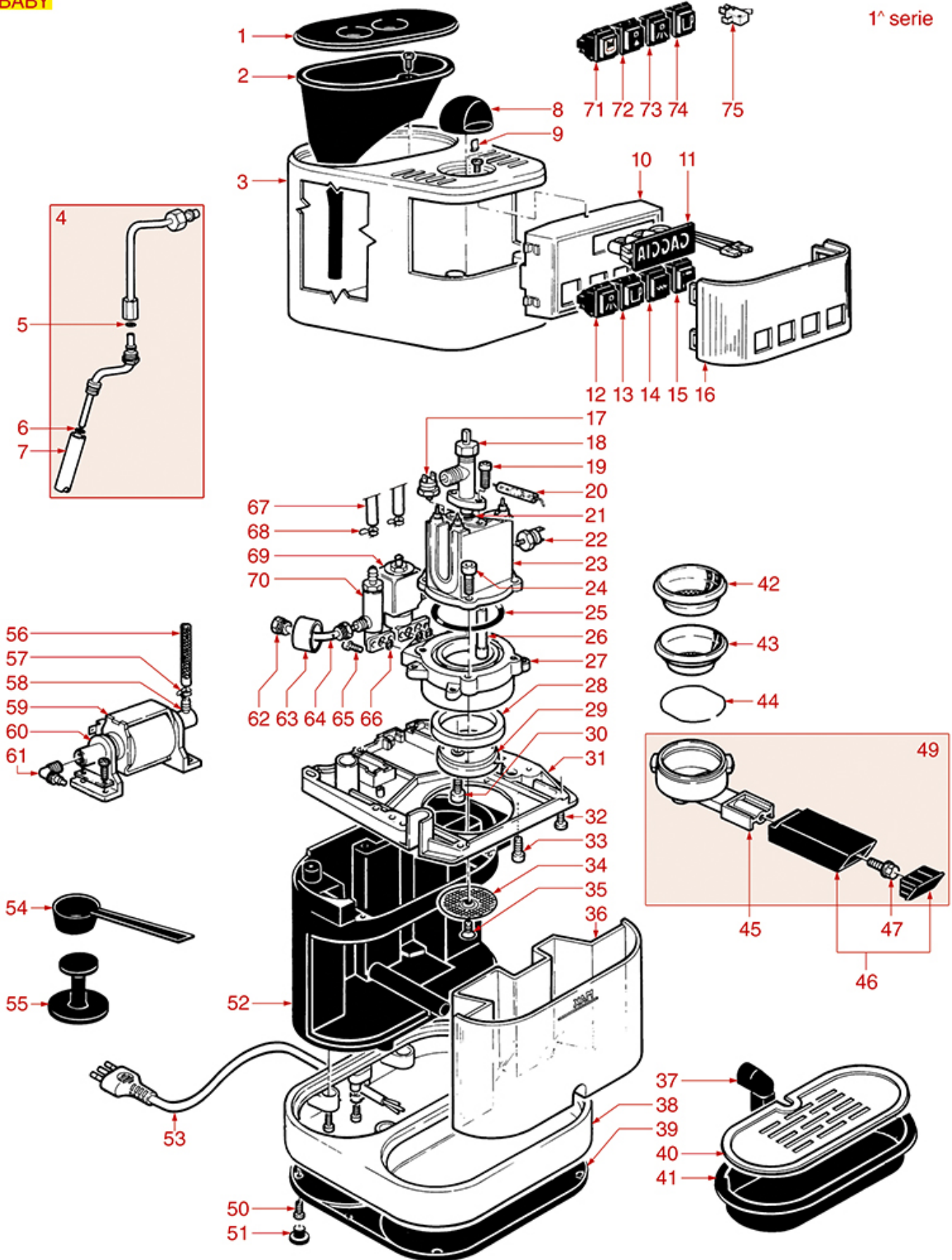




## COFFEE MACHINE MOD. BABY

**BABY**

1<sup>a</sup> serie







# GAGGIA

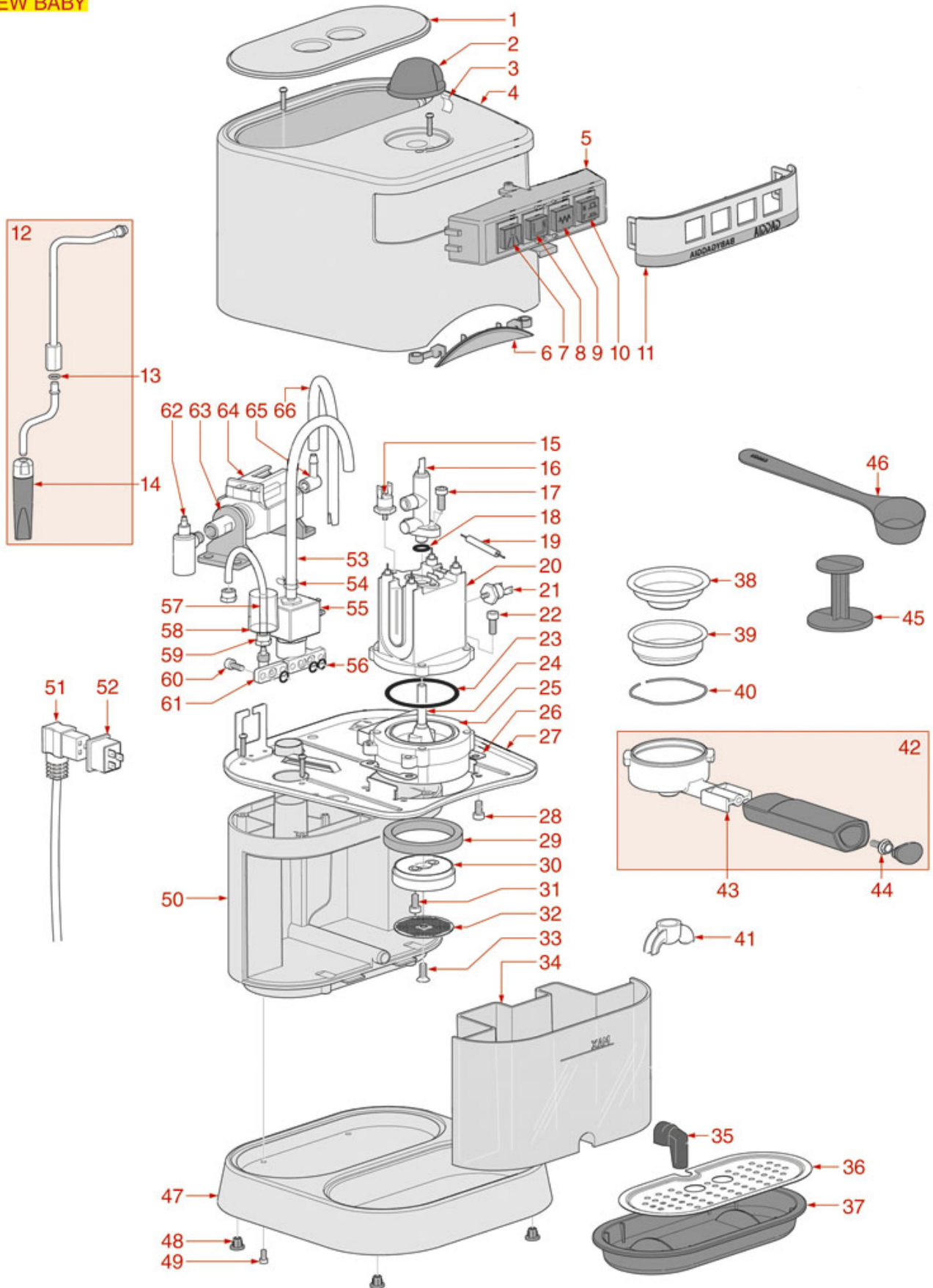


Position	LF code no.	Description
17	1444521	CONTACT THERMOSTAT 155°C M4
18	1348116	STEAM TAP
21	1186304	O-RING 0112 EPDM
22	1443400	CONTACT THERMOSTAT 107°C M4
23	5038339	BOILER 110/120V 570/680W
25	1786298	O-RING 0167 RED SILICONE
25	3186454	O-RING 0167 EPDM
28	1786216	GASKET FILTER HOLDER ø 72x57x8.5 mm
29	5047151	SHOWER HOLDER SPRAYER
30	9528022	CYLINDER HEAD SCREW M6x12
33	1184012	CYLINDER HEAD SCREW M5x10
34	1081022	SHOWER ø 51.5 mm
34	1081063	SHOWER SCREEN ø 54.5 mm
35	1528501	COUNTERSUNK HEAD SCREWS WITH SHELL M5x12
42	1160262	2-CUP FILTER 14 GRAMS
43	1160251	1 CUP FILTER 6 g
44	1250101	FILTER BLOCKING SPRING ø 1,00 mm INOX
45	5059488	FILTER HOLDER BEZZERA COFFEE MACHINES
46	5059486	FILTER HOLDER KNOB
49	1165027	FILTER HOLDER COMPLETE GAGGIA
54	1069001	PLASTIC MEASURING SPOON 20 ml
55	1385002	NYLON COFFEE TAMPER ø 50/57 mm
56	1449510	WIRE HOSE ø 8.2x4.2 mm SH60 - 5 m
58	1349651	PIPETTE FITTING 90°
59	1122737	VIBRATORY PUMP EP5 48W 230V 50Hz
59	1122741	VIBRATORY PUMP INVENSYS/ARS CP3a/ST
59	5062552	
60	1331023	SQUARE DAMPER EX-EP-EK-EA
64	1449502	PTFE PIPE ø 4x6 mm - 10 m
65	1184012	CYLINDER HEAD SCREW M5x10
66	1186611	O-RING 02025 RED SILICONE
67	1449683	SILICONE HOSE ø 5x10 SHORE 60 - 10 m
69	1120366	3-WAYS SOLENOID VALVE OLAB 230V 50Hz
72	1319251	RED BIPOLAR PUSH BUTTON 16A 250V
73	1319252	RED BIPOLAR PUSH BUTTON 16A 250V
75	3240407	MICROSWITCH KIT 16A 250V



## COFFEE MACHINE MOD. NEW BABY

**NEW BABY**



GA0301



# GAGGIA



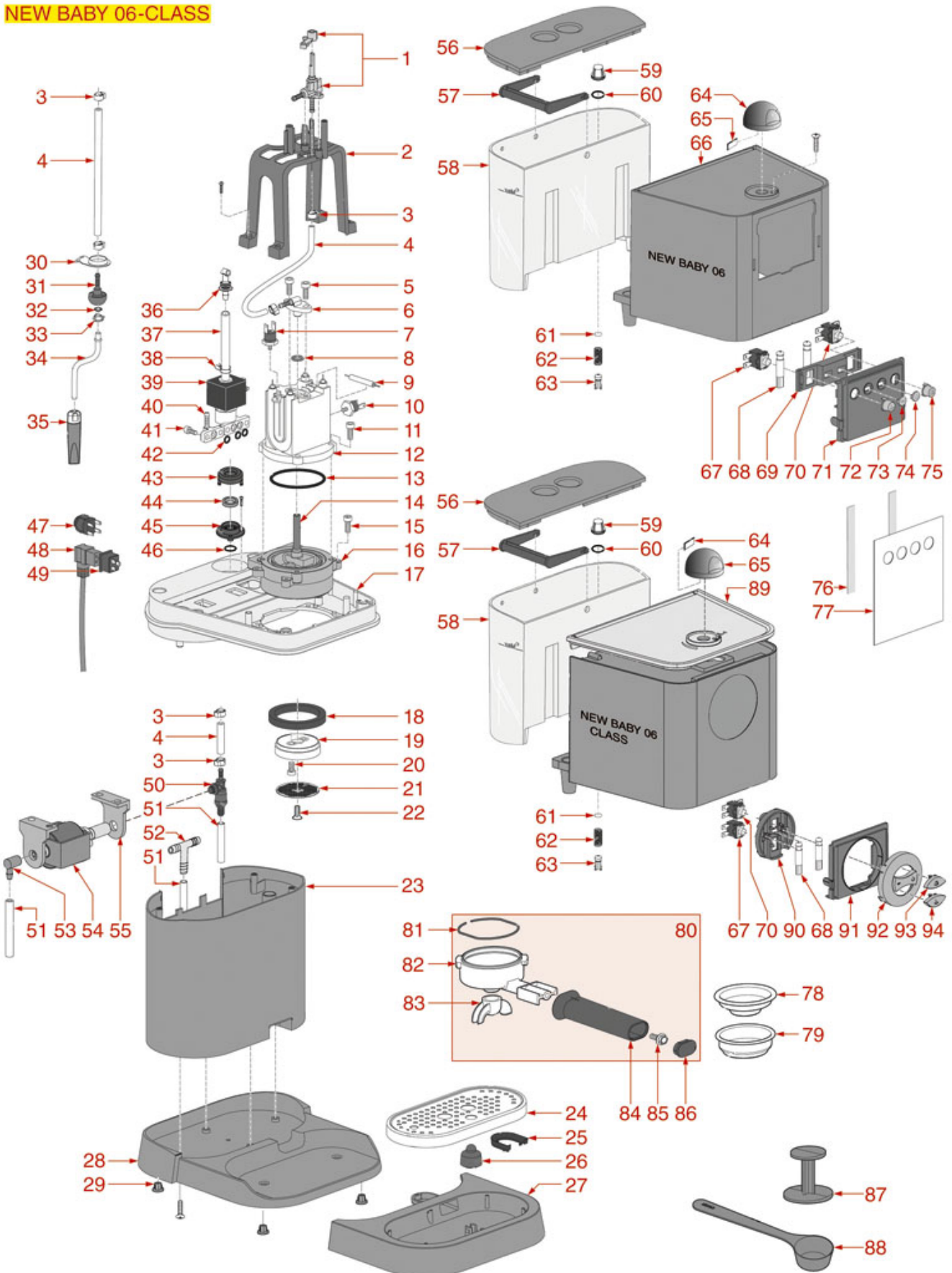
Position	LF code no.	Description
7	1319379	GREY BIPOLAR SWITCH 16A 250V
9	1221038	INDICATOR LIGHT 24V
13	3243139	O-RING 02025 EPDM
14	5047887	PLASTIC PANNARELLO
15	1444521	CONTACT THERMOSTAT 155°C M4
16	1348116	STEAM TAP
18	1186304	O-RING 0112 EPDM
20	5038339	BOILER 110/120V 570/680W
21	1443400	CONTACT THERMOSTAT 107°C M4
23	1786298	O-RING 0167 RED SILICONE
23	3186454	O-RING 0167 EPDM
28	1184012	CYLINDER HEAD SCREW M5x10
29	1786216	GASKET FILTER HOLDER ø 72x57x8.5 mm
30	5047151	SHOWER HOLDER SPRAYER
31	9528022	CYLINDER HEAD SCREW M6x12
32	1081022	SHOWER ø 51.5 mm
32	1081063	SHOWER SCREEN ø 54.5 mm
33	1528501	COUNTERSUNK HEAD SCREWS WITH SHELLM5x12
38	1160251	1 CUP FILTER 6 g
39	1160262	2-CUP FILTER 14 GRAMS
40	1250101	FILTER BLOCKING SPRING ø 1,00 mm INOX
41	1022524	DOUBLE SPOUT ø 3/8"
42	5047148	FILTER HOLDER ASSEMBLY 2 CUPS GAGGIA
43	5059488	FILTER HOLDER BEZZERA COFFEE MACHINES
45	1385002	NYLON COFFEE TAMPER ø 50/57 mm
46	1069001	PLASTIC MEASURING SPOON 20 ml
53	1449683	SILICONE HOSE ø 5x10 SHORE 60 - 10 m
55	1120366	3-WAYS SOLENOID VALVE OLAB 230V 50Hz
56	1186611	O-RING 02025 RED SILICONE
57	1449502	PTFE PIPE ø 4x6 mm - 10 m
60	1184012	CYLINDER HEAD SCREW M5x10
63	1331023	SQUARE DAMPER EX-EP-EK-EA
64	1122737	VIBRATORY PUMP EP5 48W 230V 50Hz
64	5062552	
65	1349651	PIPETTE FITTING 90°





## COFFEE MACHINE MOD. NEW BABY 06-CLASS

### NEW BABY 06-CLASS





# GAGGIA

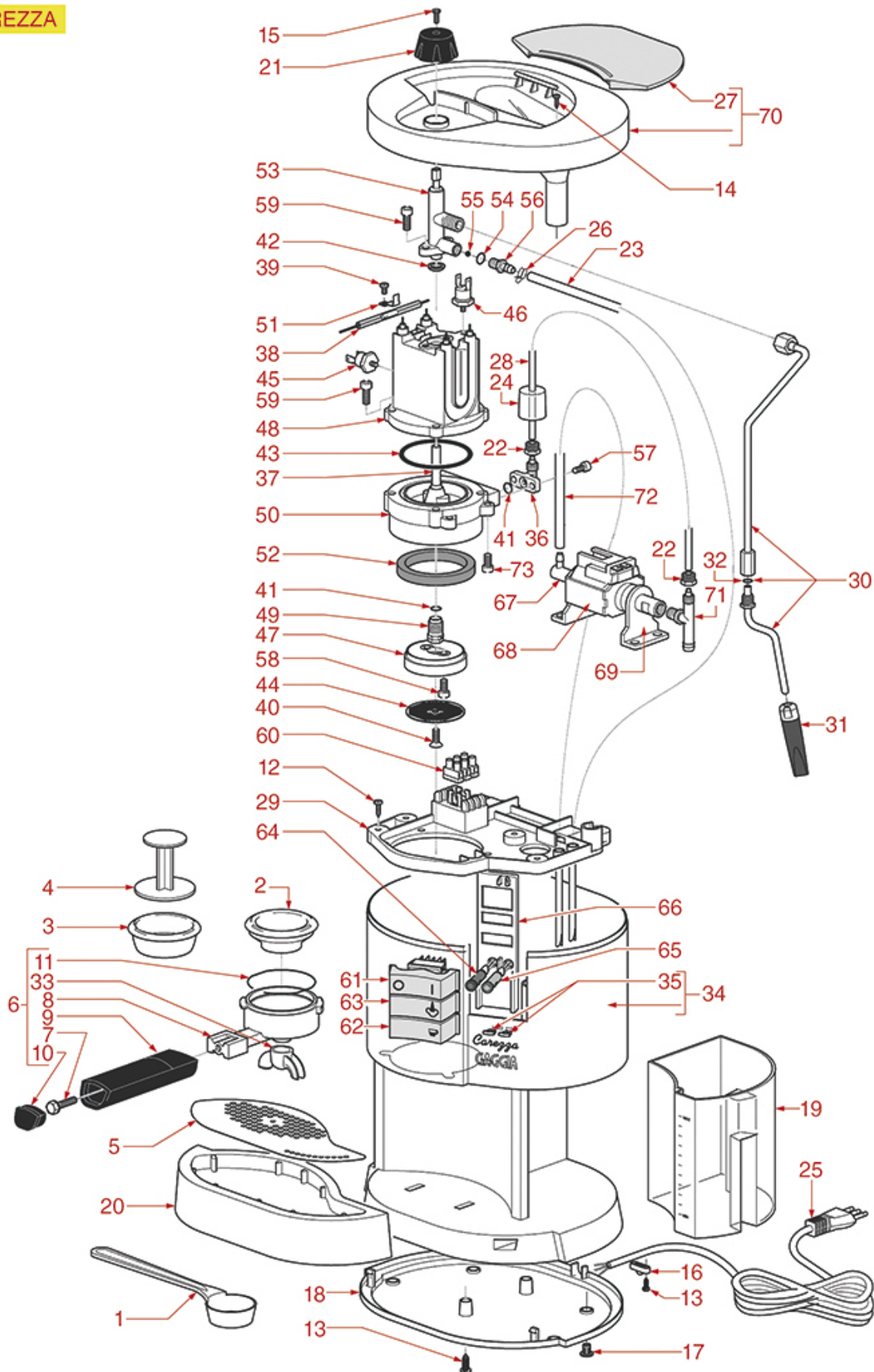


Position	LF code no.	Description
3	5035467	HOSE CLAMP $\varnothing$ 7.8-9.5 mm
4	1449510	WIRE HOSE $\varnothing$ 8.2x4.2 mm SH60 - 5 m
6	1349098	"T"-COUPLING BOILER STEAM OUTLET
7	1444521	CONTACT THERMOSTAT 155°C M4
8	1186304	O-RING 0112 EPDM
10	1443400	CONTACT THERMOSTAT 107°C M4
12	5038339	BOILER 110/120V 570/680W
13	1786298	O-RING 0167 RED SILICONE
13	3186454	O-RING 0167 EPDM
15	1184012	CYLINDER HEAD SCREW M5x10
18	1786216	GASKET FILTER HOLDER $\varnothing$ 72x57x8.5 mm
19	5047151	SHOWER HOLDER SPRAYER
20	9528022	CYLINDER HEAD SCREW M6x12
21	1081022	SHOWER $\varnothing$ 51.5 mm
21	1081063	SHOWER SCREEN $\varnothing$ 54.5 mm
22	1528501	COUNTERSUNK HEAD SCREWS WITH SHELL M5x12
31	1449174	BALL COUPLING STEAM PIPE
32	3243139	O-RING 02025 EPDM
35	5047887	PLASTIC PANNARELLO
37	1449683	SILICONE HOSE $\varnothing$ 5x10 SHORE 60 - 10 m
41	1184012	CYLINDER HEAD SCREW M5x10
42	1186611	O-RING 02025 RED SILICONE
43	1186844	GASKET GREY COVER
44	1186700	LIP SEAL $\varnothing$ 23x15x6 mm
45	5029644	GASKET HOLDER
47	1319376	BLACK BIPOLAR SWITCH 16A 250V
51	1449683	SILICONE HOSE $\varnothing$ 5x10 SHORE 60 - 10 m
52	1315008	T-SHAPED HOSE END FITTING $\varnothing$ 8 mm
53	1349651	PIPETTE FITTING 90°
54	1331026	VIBRATORY PUMP EP5GW 48W 230V 50Hz
54	5062552	
55	1331023	SQUARE DAMPER EX-EP-EK-EA
59	1160026	WATER FILTER
61	5008675	ORM GASKET 0060-30 BLACK SILICONE
67	1319377	BIPOLAR SWITCH 16A 250V
70	1319319	BIPOLAR SWITCH 16A 250V
78	1160251	1 CUP FILTER 6 g
79	1160262	2-CUP FILTER 14 GRAMS
80	5047148	FILTER HOLDER ASSEMBLY 2 CUPS GAGGIA
81	1250101	FILTER BLOCKING SPRING $\varnothing$ 1,00 mm INOX
82	5059488	FILTER HOLDER BEZZERA COFFEE MACHINES
83	1022524	DOUBLE SPOUT $\varnothing$ 3/8"
84	5047149	FILTER HOLDER KNOB
86	5047150	FILTER HOLDER KNOB CAP
87	1385002	NYLON COFFEE TAMPER $\varnothing$ 50/57 mm
88	1069001	PLASTIC MEASURING SPOON 20 ml



## COFFEE MACHINE MOD. CAREZZA

CAREZZA







# GAGGIA

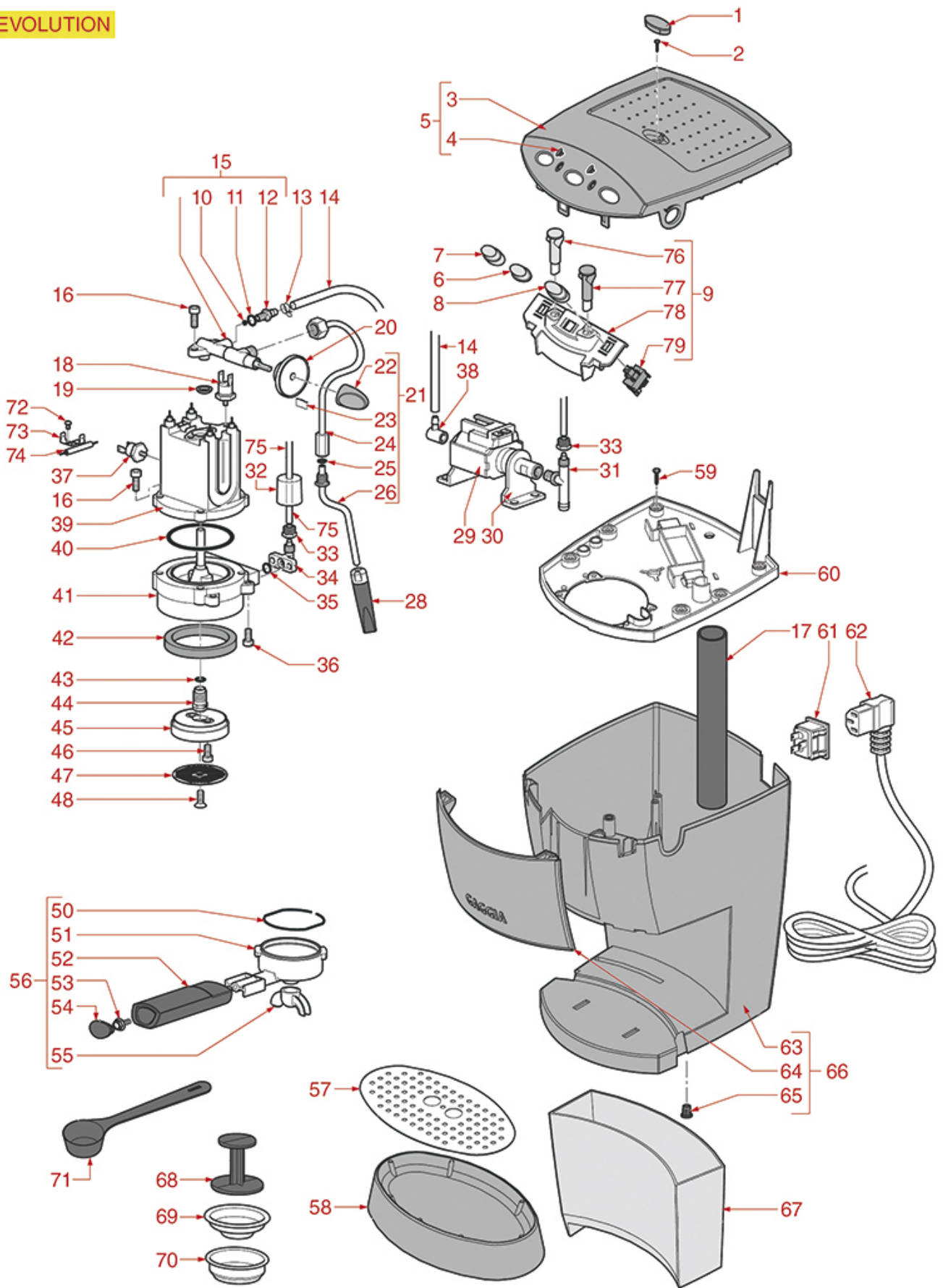


Position	LF code no.	Description
1	1069001	PLASTIC MEASURING SPOON 20 ml
2	1160251	1 CUP FILTER 6 g
3	1160262	2-CUP FILTER 14 GRAMS
4	1385002	NYLON COFFEE TAMPER ø 50/57 mm
8	5059488	FILTER HOLDER BEZZERA COFFEE MACHINES
9	5047149	FILTER HOLDER KNOB
9	5059486	FILTER HOLDER KNOB
10	5047150	FILTER HOLDER KNOB CAP
11	1250101	FILTER BLOCKING SPRING ø 1,00 mm INOX
21	1241159	STEAM TAP KNOB
23	1449510	WIRE HOSE ø 8.2x4.2 mm SH60 - 5 m
31	5047887	PLASTIC PANNARELLO
32	3243139	O-RING 02025 EPDM
40	1528501	COUNTERSUNK HEAD SCREWS WITH SHELLM5x12
41	1186611	O-RING 02025 RED SILICONE
42	1186304	O-RING 0112 EPDM
43	1786298	O-RING 0167 RED SILICONE
43	3186454	O-RING 0167 EPDM
44	1081063	SHOWER SCREEN ø 54.5 mm
45	1443400	CONTACT THERMOSTAT 107°C M4
46	1444521	CONTACT THERMOSTAT 155°C M4
47	5047151	SHOWER HOLDER SPRAYER
48	5038339	BOILER 110/120V 570/680W
49	5048106	GROUP DIFFUSER M13x1.5
52	1786216	GASKET FILTER HOLDER ø 72x57x8.5 mm
57	1184012	CYLINDER HEAD SCREW M5x10
58	9528022	CYLINDER HEAD SCREW M6x12
62	1319380	BLACK BIPOLAR SWITCH 16A 120/230V
63	1319329	BLACK BIPOLAR SWITCH 16A 120/230V
67	1349651	PIPETTE FITTING 90°
68	1122737	VIBRATORY PUMP EP5 48W 230V 50Hz
69	1331023	SQUARE DAMPER EX-EP-EK-EA
73	1184012	CYLINDER HEAD SCREW M5x10



## COFFEE MACHINE MOD. EVOLUTION

**EVOLUTION**





# GAGGIA



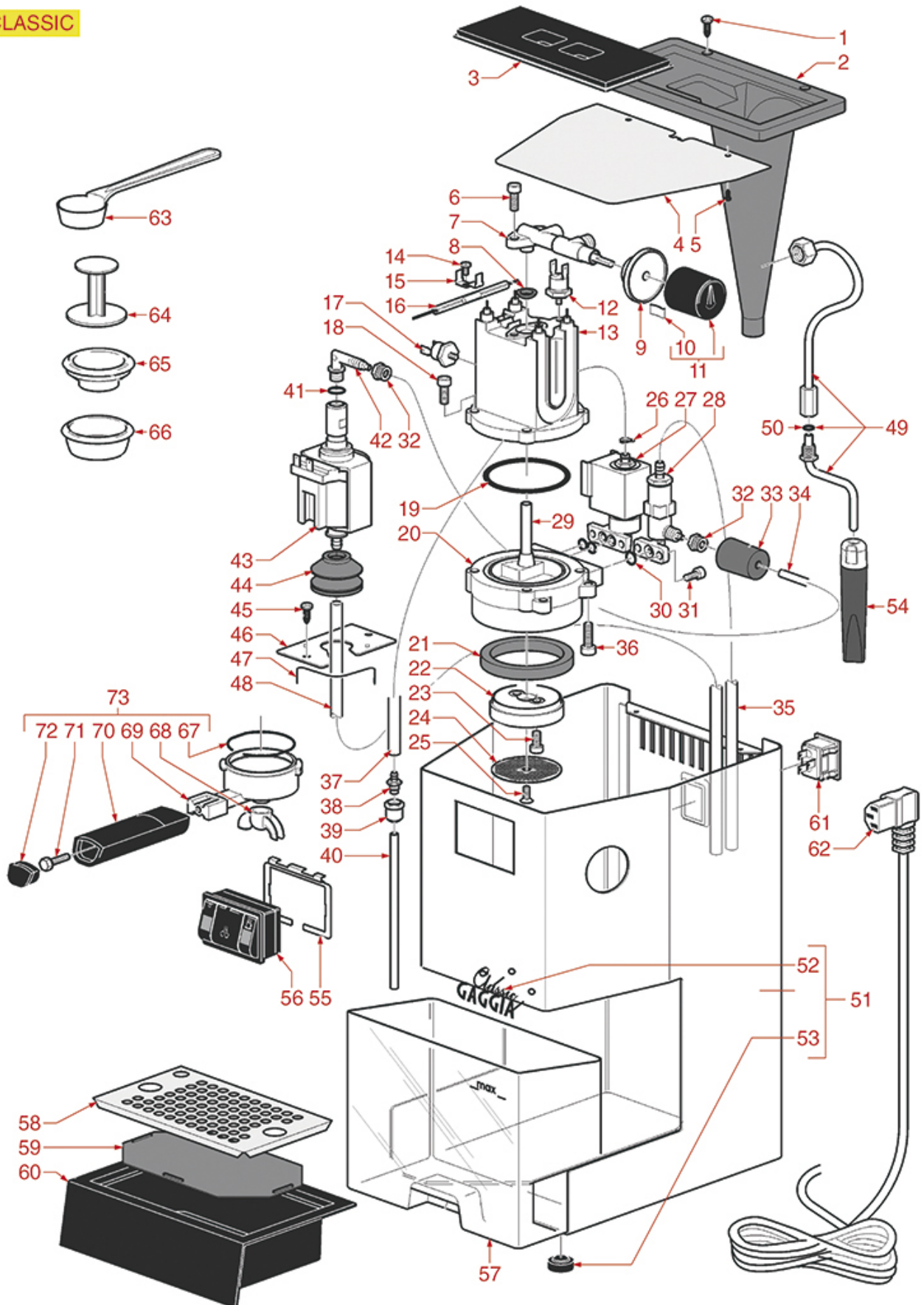
Position	LF code no.	Description
15	1348114	STEAM TAP
18	1444521	CONTACT THERMOSTAT 155°C M4
19	1186304	O-RING 0112 EPDM
25	3243139	O-RING 02025 EPDM
28	5047887	PLASTIC PANNARELLO
29	1122737	VIBRATORY PUMP EP5 48W 230V 50Hz
30	1331023	SQUARE DAMPER EX-EP-EK-EA
35	1186611	O-RING 02025 RED SILICONE
36	1184012	CYLINDER HEAD SCREW M5x10
37	1443400	CONTACT THERMOSTAT 107°C M4
38	1349651	PIPETTE FITTING 90°
39	5038339	BOILER 110/120V 570/680W
40	1786298	O-RING 0167 RED SILICONE
40	3186454	O-RING 0167 EPDM
42	1786216	GASKET FILTER HOLDER $\varnothing$ 72x57x8.5 mm
43	1186611	O-RING 02025 RED SILICONE
44	5048106	GROUP DIFFUSER M13x1.5
45	5047151	SHOWER HOLDER SPRAYER
46	9528022	CYLINDER HEAD SCREW M6x12
47	1081063	SHOWER SCREEN $\varnothing$ 54.5 mm
48	1528501	COUNTERSUNK HEAD SCREWS WITH SHELLM5x12
50	1250101	FILTER BLOCKING SPRING $\varnothing$ 1,00 mm INOX
51	5059488	FILTER HOLDER BEZZERA COFFEE MACHINES
52	5047149	FILTER HOLDER KNOB
52	5059486	FILTER HOLDER KNOB
54	5047150	FILTER HOLDER KNOB CAP
68	1385002	NYLON COFFEE TAMPER $\varnothing$ 50/57 mm
69	1160251	1 CUP FILTER 6 g
70	1160262	2-CUP FILTER 14 GRAMS
71	1069001	PLASTIC MEASURING SPOON 20 ml
75	1449502	PTFE PIPE $\varnothing$ 4x6 mm - 10 m
79	1319544	SINGLE-POLE SWITCH 16A 250V





## COFFEE MACHINE MOD. CLASSIC

CLASSIC





# GAGGIA

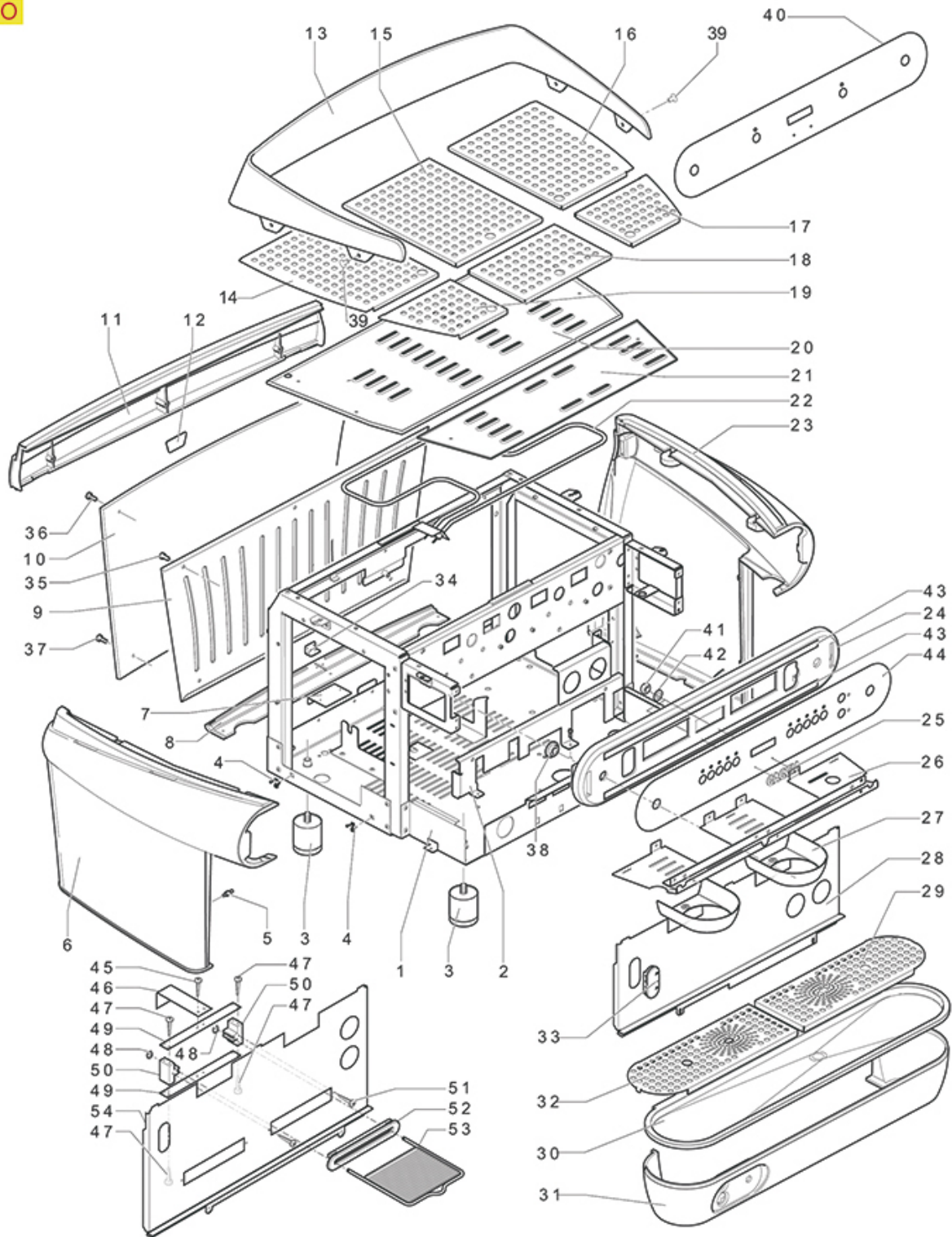


Position	LF code no.	Description
7	5038340	STEAM TAP
8	1186304	O-RING 0112 EPDM
11	5038341	STEAM TAP KNOB
12	1444521	CONTACT THERMOSTAT 155°C M4
13	5038339	BOILER 110/120V 570/680W
17	1443400	CONTACT THERMOSTAT 107°C M4
19	1786298	O-RING 0167 RED SILICONE
19	3186454	O-RING 0167 EPDM
21	1786216	GASKET FILTER HOLDER ø 72x57x8.5 mm
22	5047151	SHOWER HOLDER SPRAYER
23	9528022	CYLINDER HEAD SCREW M6x12
24	1081063	SHOWER SCREEN ø 54.5 mm
25	1528501	COUNTERSUNK HEAD SCREWS WITH SHELL M5x12
27	1120366	3-WAYS SOLENOID VALVE OLAB 230V 50Hz
30	1186611	O-RING 02025 RED SILICONE
31	1184012	CYLINDER HEAD SCREW M5x10
34	1449502	PTFE PIPE ø 4x6 mm - 10 m
36	1184012	CYLINDER HEAD SCREW M5x10
41	3243139	O-RING 02025 EPDM
43	1122737	VIBRATORY PUMP EP5 48W 230V 50Hz
50	3243139	O-RING 02025 EPDM
54	5047887	PLASTIC PANNARELLO
56	1319323	3-BUTTON PANEL 16A 250V
63	1069001	PLASTIC MEASURING SPOON 20 ml
64	1385000	NYLON TAMPER ø 50/52 mm
65	1160251	1 CUP FILTER 6 g
66	1160262	2-CUP FILTER 14 GRAMS
67	1250101	FILTER BLOCKING SPRING ø 1,00 mm INOX
69	5059488	FILTER HOLDER BEZZERA COFFEE MACHINES
70	5047149	FILTER HOLDER KNOB
70	5059486	FILTER HOLDER KNOB
72	5047150	FILTER HOLDER KNOB CAP
73	5047148	FILTER HOLDER ASSEMBLY 2 CUPS GAGGIA



## DECO BODY PARTS

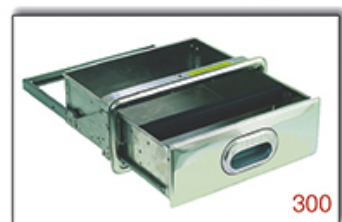
DECO



100



200



300





# GAGGIA

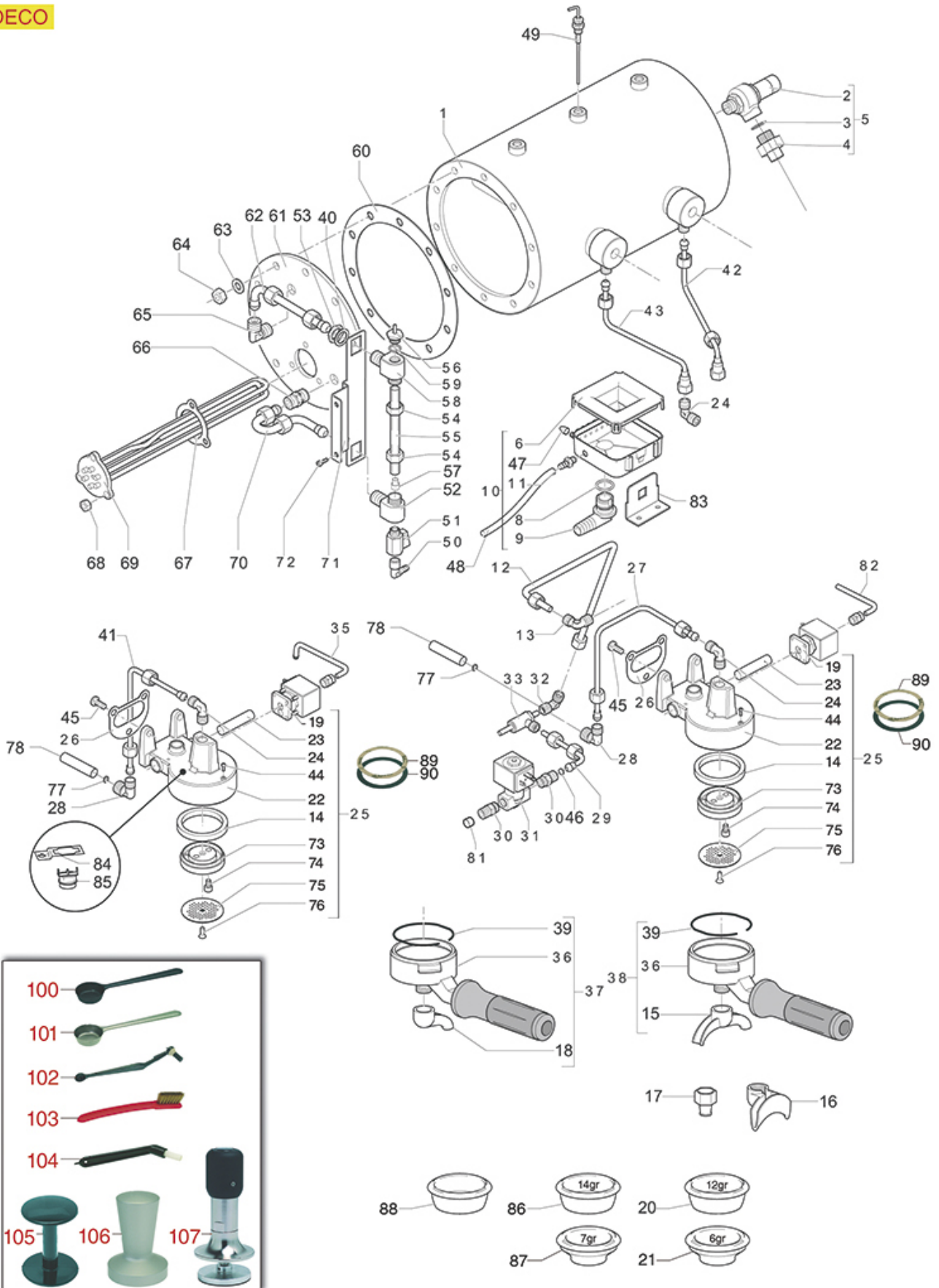


Position	LF code no.	Description
100	3080011	KNOCKBOX
200	3080001	KNOCKBOX
300	3080002	S/STEEL DRAWER FOR COFFEE GROUNDS



## DECO GROUP/BOILER/LEVEL

**DECO**





# GAGGIA

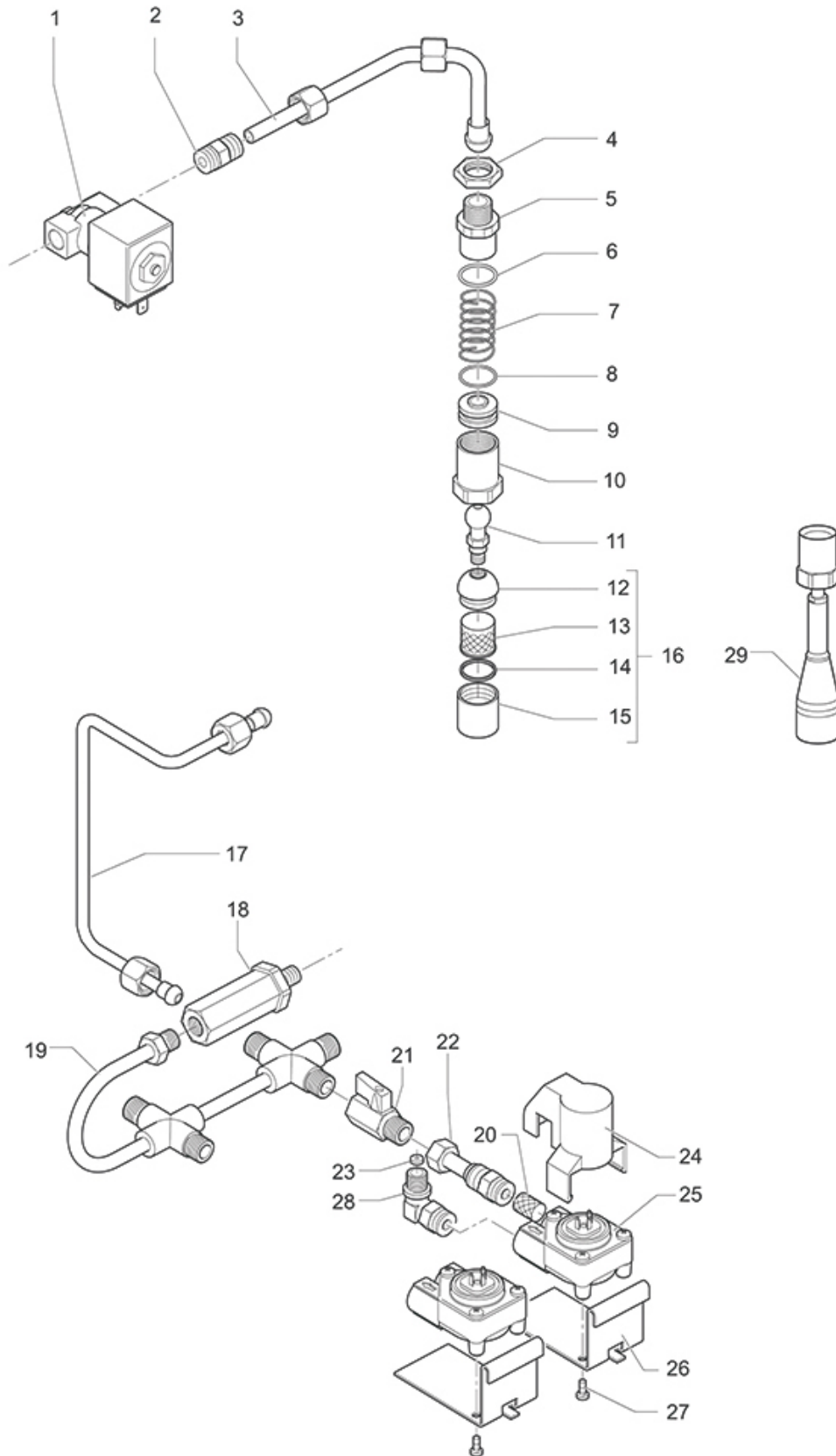


Position	LF code no.	Description
2	1515017	BOILER VALVE $\varnothing$ 3/8"M-3/4"M - 1.8 bar
3	3243266	O-RING 02081 EPDM
8	1786233	O-RING 03087 EPDM
9	1527044	HOSE-END FITTING FOR DRAIN TANK
10	1527045	DRAIN TANK
13	1349710	NICHEL PLATED L-FITTING $\varnothing$ 1/4"M-1/4"M
14	1186676	FILTER HOLDER GASKET $\varnothing$ 72x56x8.5 mm
14	1186741	FILTER HOLDER GASKET $\varnothing$ 72x56x8.5 mm
15	1022524	DOUBLE SPOUT $\varnothing$ 3/8"
16	1022506	DOUBLE SPOUT $\varnothing$ 3/8"
17	1022503	STRAIGHT SINGLE SPOUT $\varnothing$ 3/8"
18	1022501	SINGLE SPOUT $\varnothing$ 3/8"
19	1120335	3-WAY SOLENOID VALVE PARKER 230V 50/60Hz
20	1160252	2-CUP FILTER 12 GRAMS
21	1160251	1 CUP FILTER 6 g
26	1186980	COFFEE GROUP GASKET 73x61x1 mm
30	1349102	FITTING $\varnothing$ 1/4"M-1/4"M
32	1120243	2-WAYS SOLEN.VALVE PARKER 230V 50/60Hz
37	1165109	COMPLETE FILTER HOLDER 1 CUP GAGGIA
38	1165108	COMPLETE FILTER HOLDER 2 CUPS GAGGIA
39	1250333	SPRING FILTER BLOCK $\varnothing$ 1.30 mm ST.STEEL
40	1186399	WASHER FLAT M16
44	1528100	CYLINDER HEAD SCREW M4x12
45	1528622	HEXAGON HEAD SCREW M8x16
49	1341016	LEVEL PROBE $\varnothing$ 1/4"M-123 mm
51	3526699	BALL VALVE $\varnothing$ 1/4" MF
53	1348036	NUT $\varnothing$ 3/8" WRENCH 21x6mm
54	1528136	GLASS FASTENING NUT $\varnothing$ 1/2"F HOLE 13 mm
55	1520516	LEVEL GLASS $\varnothing$ 12x135 mm
56	1523537	BOILER VALVE $\varnothing$ 1/4"M
57	1186226	FLAT EPDM GASKET
59	1186404	PTFE FLAT GASKET $\varnothing$ 18x13x2 mm
60	1186296	GASKET BOILER $\varnothing$ 220x168x2 mm
64	3060054	HEXAGONAL NUT M10 MEDIUM
65	1349706	L-FITTING $\varnothing$ 3/8"M-3/8"M NICKEL-PLATED
66	1349103	FITTING $\varnothing$ 3/8"M-3/8"M
67	1186584	TRIANGULAR GASKET FOR HEATING ELEMENT
67	1186635	TRIANGULAR GASKET FOR HEATING ELEMENT
67	1786006	TRIANGULAR GASKET FOR HEATING ELEMENT
68	1528621	HEXAGONAL NUT M8 SHORT M8
69	1755267	HEATING ELEMENT 4760W 240V
69	1755268	HEATING ELEMENT 5000/5950W 220/240V
69	1755269	HEATING ELEMENT 7140W 240V
72	5055105	CYLINDER HEAD SCREW M4x10
73	1086509	SHOWER HOLDER DIFFUSER
74	1184010	LOW CYLINDER HEAD SCREW M6x10
75	1081021	SHOWER SCREEN $\varnothing$ 55 mm
86	1160262	2-CUP FILTER 14 GRAMS
87	1160261	1 CUP FILTER 7 gr
88	1160339	BLIND FILTER
89	1190001	PAPER SHIM $\varnothing$ 73x59x0.8 mm
90	1190002	RUBBER SHIM $\varnothing$ 73x59x1 mm EPDM
100	1069001	PLASTIC MEASURING SPOON 20 ml
101	1069002	STAINLESS STEEL MEASURING SPOON 20 ml
102	1384003	BLACK SHOWER CLEANING BRUSH
103	1384002	BRUSH FOR MAINTENANCE
104	1384001	BRUSH FOR COFFEE SHOWER
105	1385002	NYLON COFFEE TAMPER $\varnothing$ 50/57 mm
106	1385041	POLISHED ALUMINUM TAMPER $\varnothing$ 57 mm
106	1385053	ANODISED ALUMINUM TAMPER $\varnothing$ 58 mm
107	1385600	DYNAMOMETRIC MANUAL COFFEE TAMPER $\varnothing$ 57mm



## DECO WATER TAP AND DOSERS

DECO





# GAGGIA



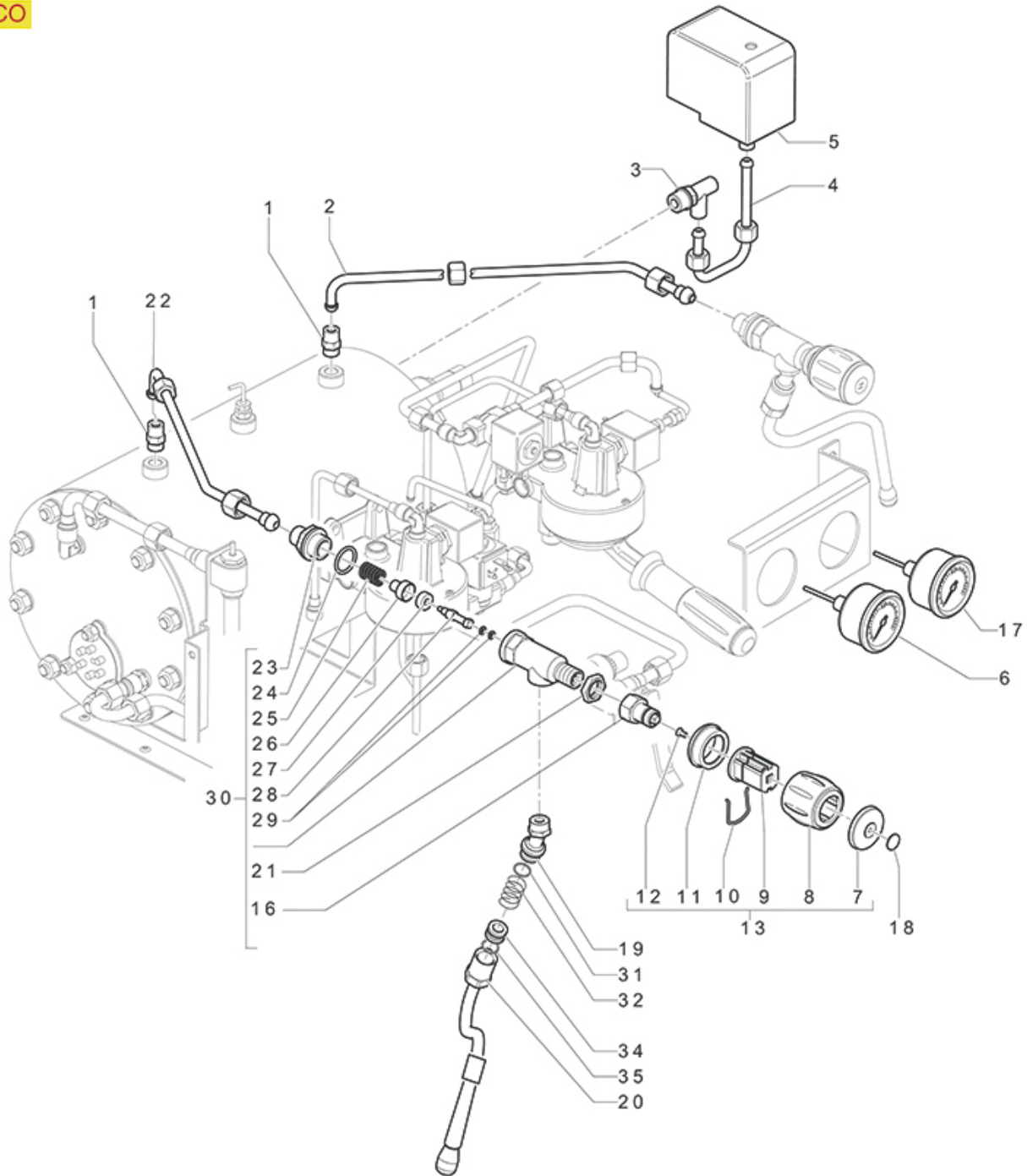
Position	LF code no.	Description
1	1120354	2-WAY SOLENOID VALVE PARKER 230V 50/60Hz
2	1349102	FITTING $\varnothing$ 1/4"M-1/4"M
4	1755006	NUT $\varnothing$ 1/4"
6	1786232	O-RING 02062 BROWN VITON
7	1250534	SPRING $\varnothing$ 12x22 mm
8	1186709	O-RING 0115 VITON
9	1786230	PTFE CONICAL SEAL $\varnothing$ 14.5x6.5x9 mm
16	1449332	WATER PIPE NOZZLE
18	1720005	EXPANSION VALVE $\varnothing$ 1/4"F-7 mm 11 bar
21	3526699	BALL VALVE $\varnothing$ 1/4" MF
25	1455060	VOLUMETRIC FLOWMETER GICAR
27	1528100	CYLINDER HEAD SCREW M4x12





## DECO STEAM TAP

**DECO**



...	<b>100</b>
...	<b>101</b>
...	<b>102</b>
0,60L 6 cups	<b>103</b>
0,70L 9 cups	<b>104</b>
1,10L 12 cups	<b>105</b>
...	<b>106</b>

INOX 18/10

0,20L 2 cups	<b>200</b>
0,30L 3 cups	<b>201</b>
0,45L 4 cups	<b>202</b>
0,60L 6 cups	<b>203</b>
0,70L 9 cups	<b>204</b>
1,10L 12 cups	<b>205</b>
...	<b>206</b>

INOX 18/10

...	<b>300</b>
...	<b>301</b>
...	<b>302</b>
0,60L 6 cups	<b>303</b>
1,00L 10 cups	<b>304</b>
1,50L 12 cups	<b>305</b>
2,00L 15 cups	<b>306</b>

INOX 18/10

0,25L 2 cups	<b>400</b>
0,35L 3 cups	<b>401</b>
0,50L 4 cups	<b>402</b>
0,75L 6 cups	<b>403</b>
1,00L 10 cups	<b>404</b>
1,50L 13 cups	<b>405</b>
...	<b>406</b>

INOX 18/10



# GAGGIA

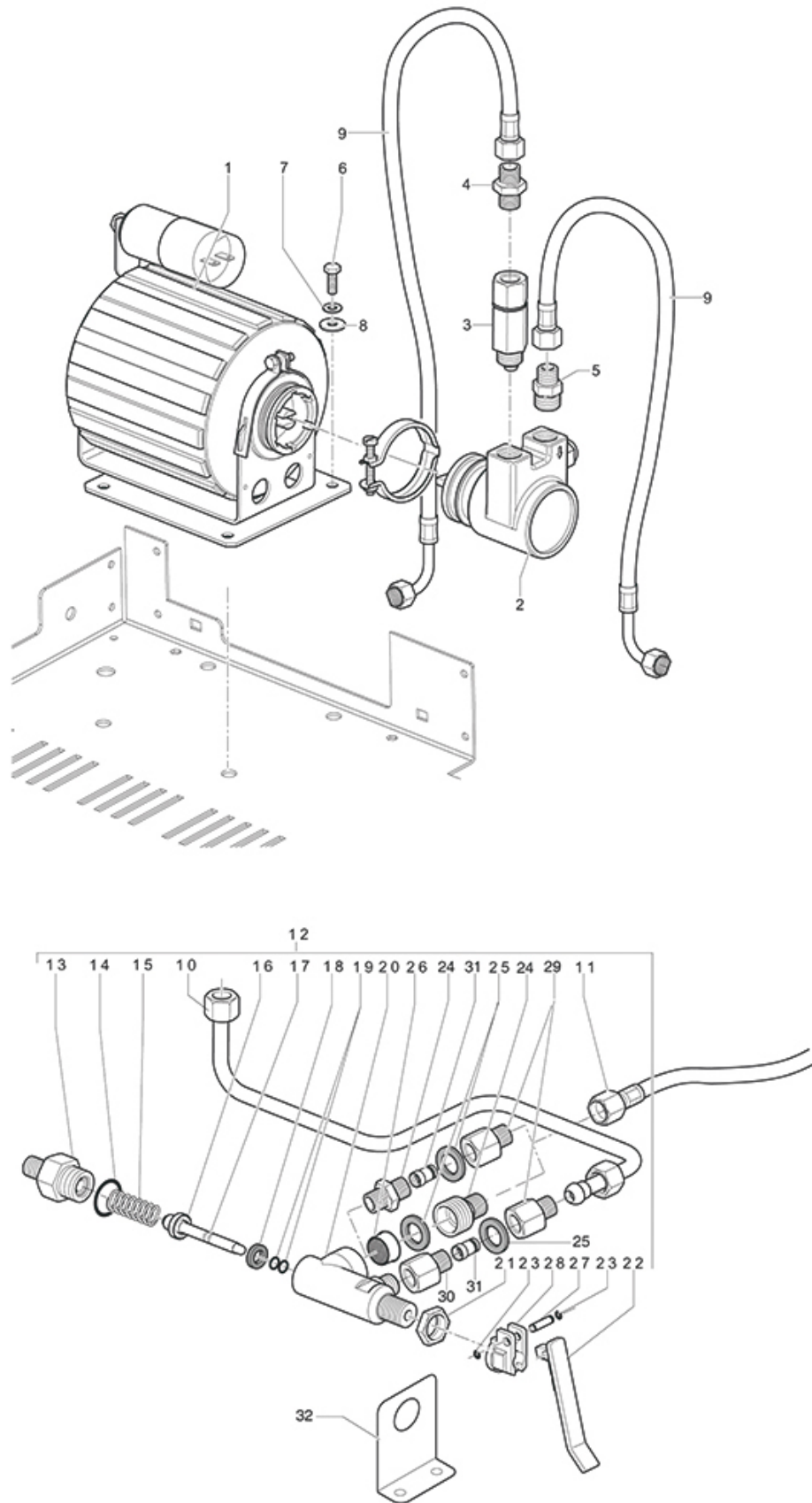


Position	LF code no.	Description
5	1320531	PRESSURE SWITCH P302/6 3-POLES 30A
6	1245061	PUMP PRESSURE GAUGE ø 41 mm 0+15 bar
13	1241176	WATER/STEAM TAP KNOB
16	1324400	TAP SPINDLE
17	1245055	BOILER PRESSURE GAUGE ø 41 mm 0+3 bar
18	1241417	STEAM SILK SCREEN PRINT. F. HANDLE
20	1549019	COMPLETE STEAM PIPE STAIN.STEEL ø 10 mm
20	1549021	PIPE STEAM COMPLETE ø 10 mm
21	1348036	NUT ø 3/8" WRENCH 21x6mm
24	1186591	O-RING 0128 VITON
27	1186985	FLAT EPDM GASKET ø 15x6x6 mm
28	1324158	WATER/STEAM TAP PIN
29	1186900	O-RING 02015 VITON
30	1348483	WATER/STEAM TAP
31	1786232	O-RING 02062 BROWN VITON
32	1250534	SPRING ø 12x22 mm
34	1786230	PTFE CONICAL SEAL ø 14.5x6.5x9 mm
35	1186709	O-RING 0115 VITON
50	1394553	ANALOGICAL THERMOMETER ø 25 mm
51	1394554	ANALOG THERMOMETER ø 45 mm
103	1024051	SERVING COFFEE POT PRATIKA 0.60 L
104	1024052	SERVING COFFEE POT PRATIKA 0.70 L
105	1024053	SERVING COFFEE POT PRATIKA 1.10 L
200	1024001	MILK PITCHER PRATIKA 0.20 L
201	1024002	MILK PITCHER PRATIKA 0.30 L
202	1024003	MILK PITCHER PRATIKA 0.45 L
203	1024004	MILK PITCHER PRATIKA 0.60 L
204	1024005	MILK PITCHER PRATIKA 0.70 L
205	1024006	MILK PITCHER PRATIKA 1.10 L
302	1224901	MILK JUG 0.35 L
303	1224902	MILK JUG 0.60 L
304	1224903	MILK JUG 1 L
305	1224904	MILK JUG 1.5 L
400	1224014	MILK PITCHER EUROPA WITH SPOUT 0.25 L
401	1224015	MILK PITCHER EUROPA WITH SPOUT 0.35 L
402	1224010	MILK PITCHER EUROPA WITH SPOUT 0.50 L
403	1224011	MILK PITCHER EUROPA WITH SPOUT 0.75 L
404	1224012	MILK PITCHER EUROPA WITH SPOUT 1 L
405	1224013	MILK PITCHER EUROPA WITH SPOUT 1.5 L



## DECO INLET TAP AND MOTOR

DECO





# GAGGIA



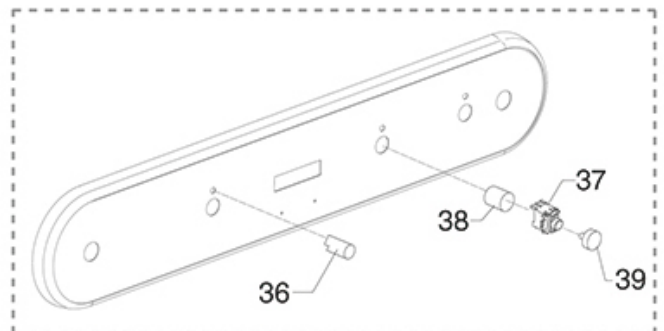
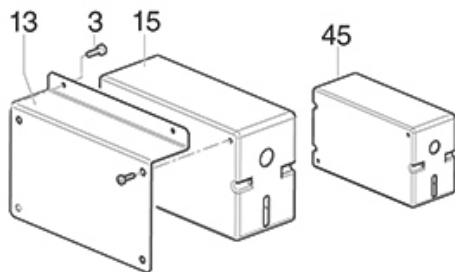
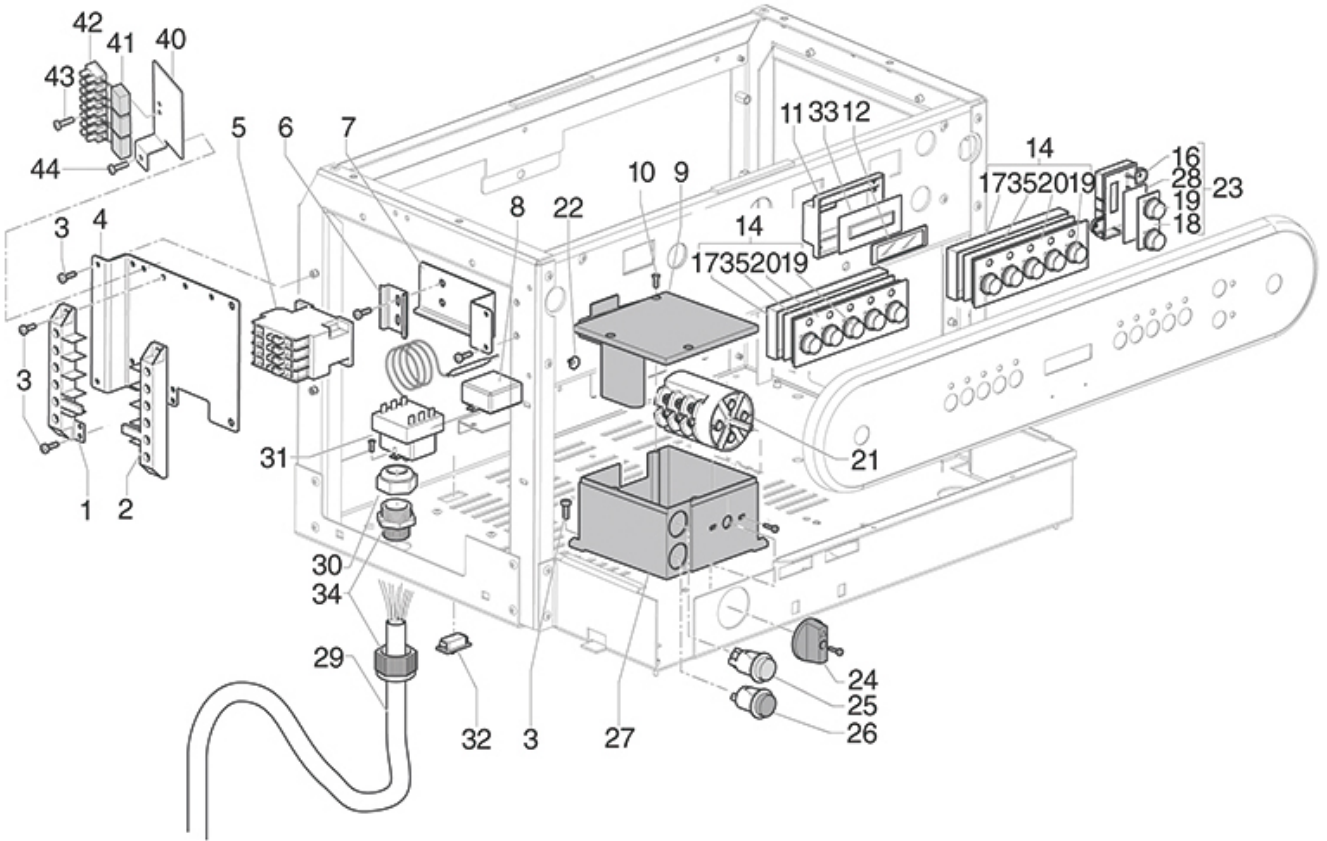
Position	LF code no.	Description
	1358006	COMPLETE WATER INLET TAP
1	1240368	RPM CLAMP MOTOR 165W
2	1330001	ROTARY VANE PUMP ROTOFLOW $\varnothing$ 3/8" NPT
2	1330012	ROTARY VANE PUMP PROCON $\varnothing$ 3/8" NPT
3	1720004	CHECK VALVE $\varnothing$ 3/8"M-1/4"F
5	1349112	FITTING $\varnothing$ 1/4"M-3/8"M
6	1528622	HEXAGON HEAD SCREW M8x16
12	1358006	COMPLETE WATER INLET TAP
14	3186181	O-RING 03068 EPDM
18	1186983	GASKET FLAT VITON $\varnothing$ 15x7x3 mm
19	1186900	O-RING 02015 VITON
21	1348036	NUT $\varnothing$ 3/8" WRENCH 21x6mm
22	1241150	INLET TAP LEVER
25	1786231	GUARNIZIONE PIANA EPDM $\varnothing$ 24x15x3 mm
26	1449317	WATER PIPE NOZZLE
27	1324159	PIN $\varnothing$ 5x20.5 mm
28	1358007	NUT FOR INLET TAP LEVER





## DECO ELECTRICAL SYSTEM

DECO





# GAGGIA

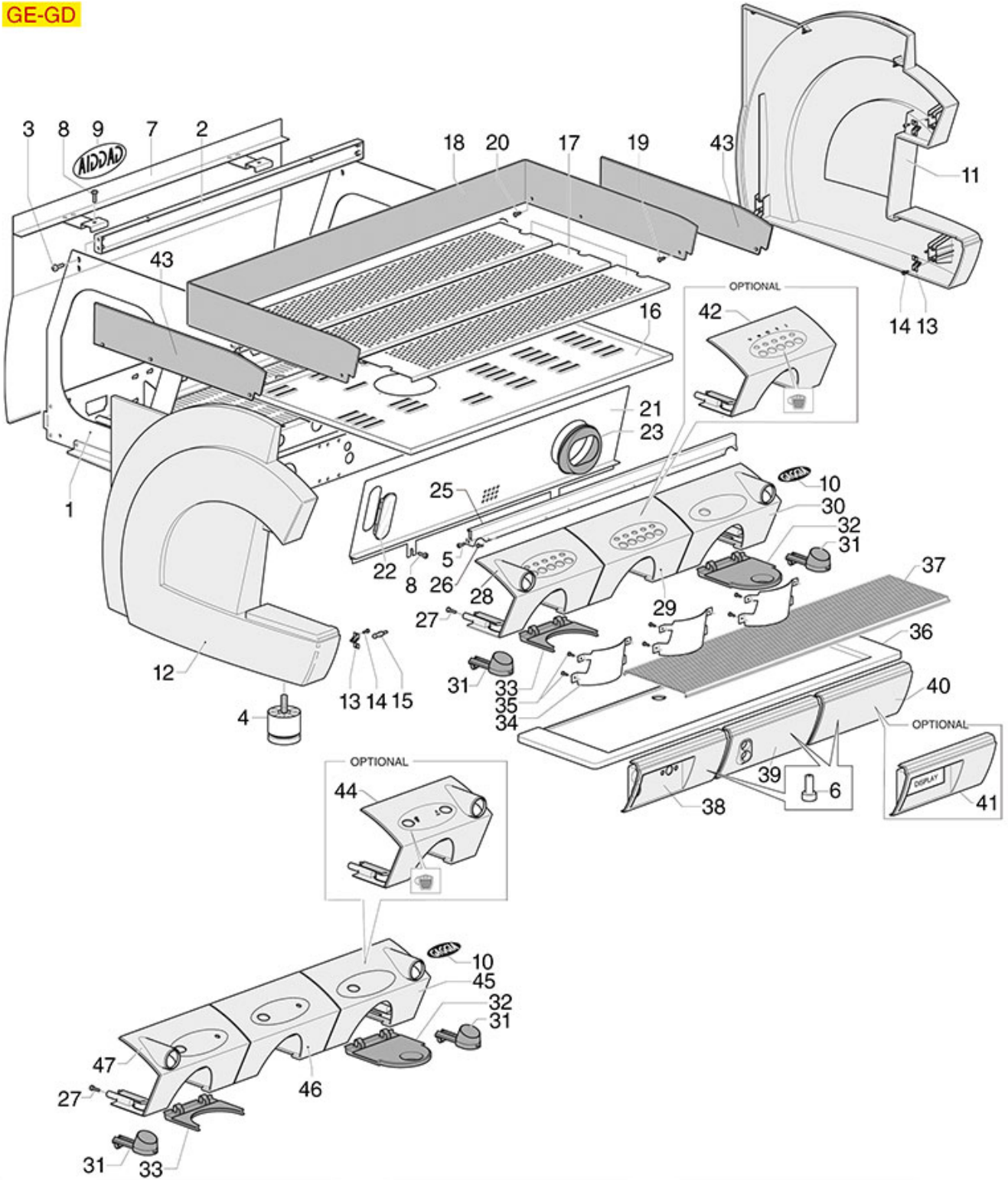


Position	LF code no.	Description
1	3247009	6-POLE TERMINAL BLOCK FV122/B 40A 600V
2	3247009	6-POLE TERMINAL BLOCK FV122/B 40A 600V
3	5055105	CYLINDER HEAD SCREW M4x10
5	3454048	CONTACTOR ABB A9-30-10
14	1319538	PUSH-BUTTON PANEL 5 BUTTONS
15	1054046	DOSER CONTROL BOX 1-2-3 GROUPS 230V
21	3057296	SELECTOR SWITCH 0-3 POSITIONS 32A 690V
23	1319530	PUSH-BUTTON PANEL 2 BUTTONS
24	1241542	KNOB SELECTOR SWITCH BLACK $\varnothing$ 33 mm
25	3319948	RED BIPOLAR SWITCH 16A 250V
26	3221407	RED INDICATOR LAMP 250V
31	3444442	THREE-PHASE THERMOSTAT 170°C
32	1319382	BLACK BIPOLAR SWITCH 16A 250V
36	1221058	BLUE INDICATOR LIGHT 230 V
37	1319082	SINGLE-POLE PUSH BUTTON 16A 250V
38	1319548	CHROME-PLATED SUPPORT
39	1319549	CHROME-PLATED PUSH-BUTTON $\varnothing$ 21 mm
45	1054047	DOSER CONTROL BOX 1-3 GROUPS 230V



## GE-GD BODY PARTS

**GE-GD**





# GAGGIA



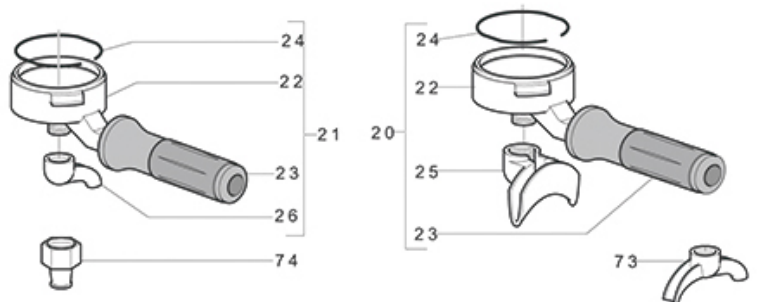
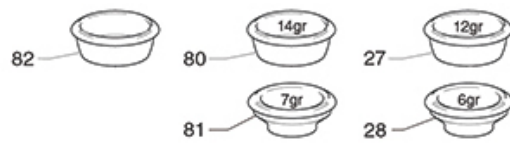
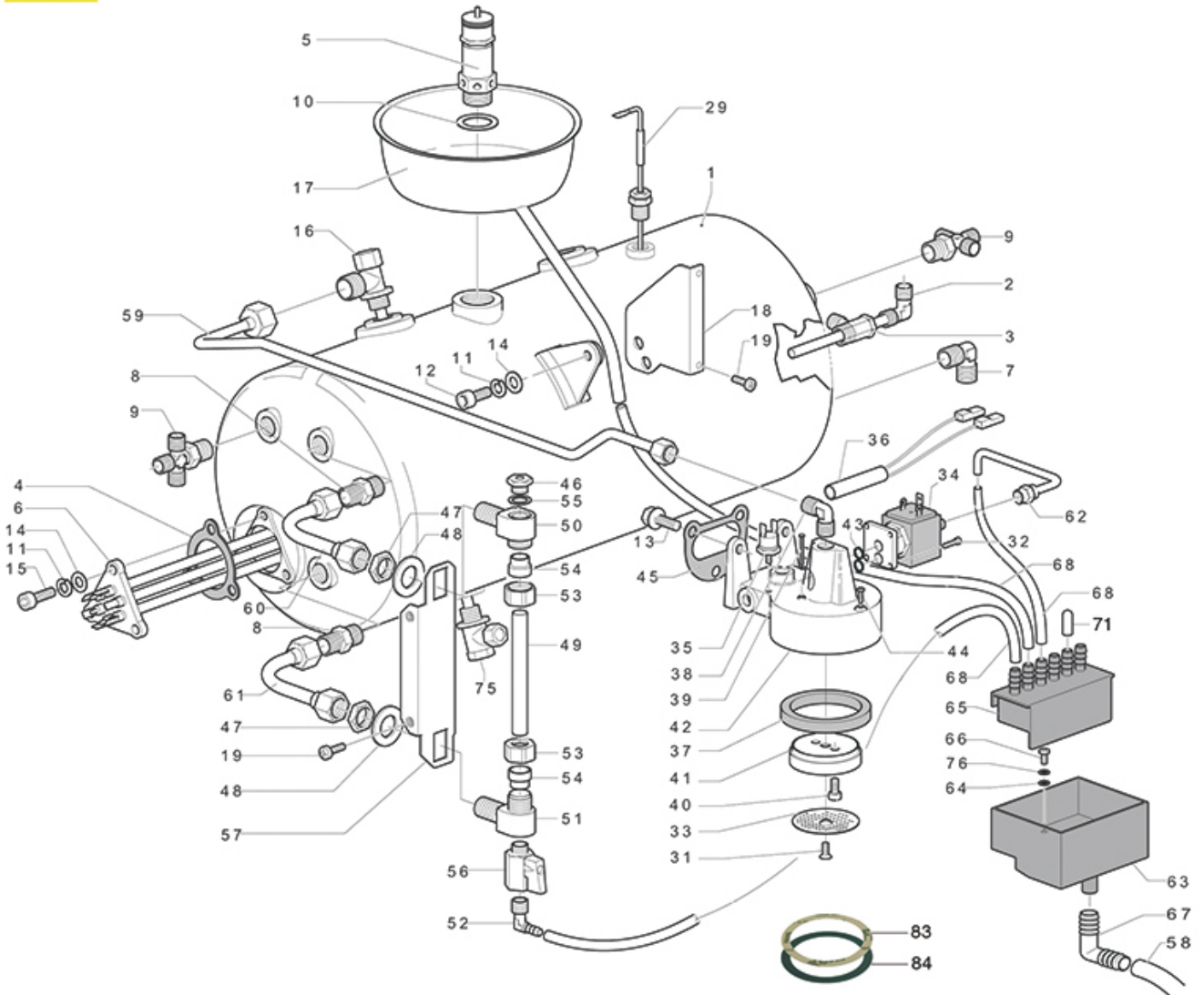
Position	LF code no.	Description
100	3080011	KNOCKBOX
200	3080001	KNOCKBOX
300	3080002	S/STEEL DRAWER FOR COFFEE GROUNDS





## GE-GD GROUP/BOILER/LEVEL

**GE-GD**



GA3101



# GAGGIA

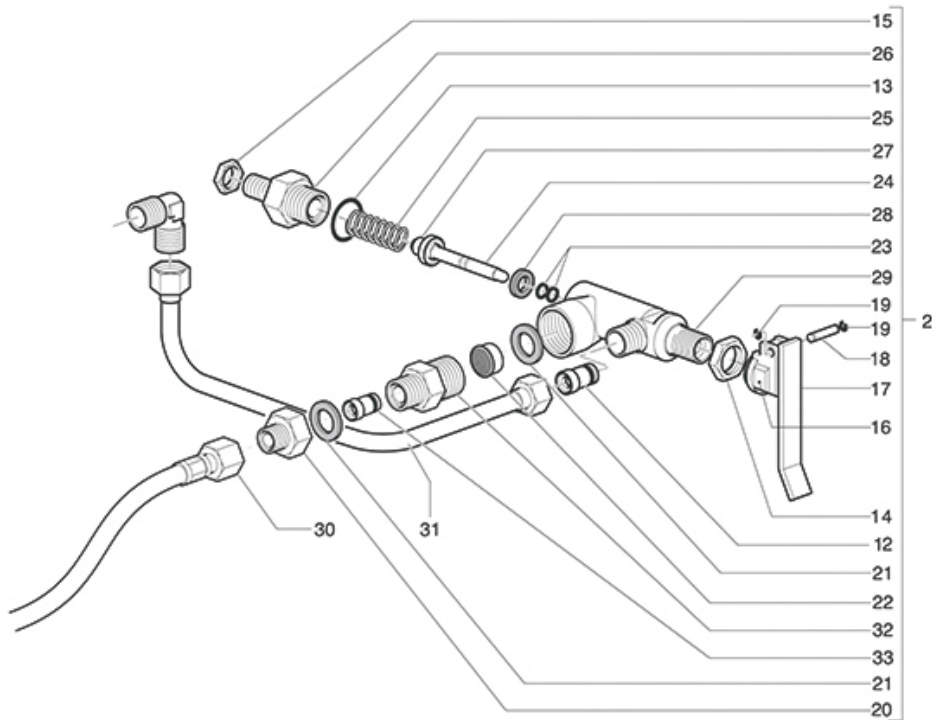
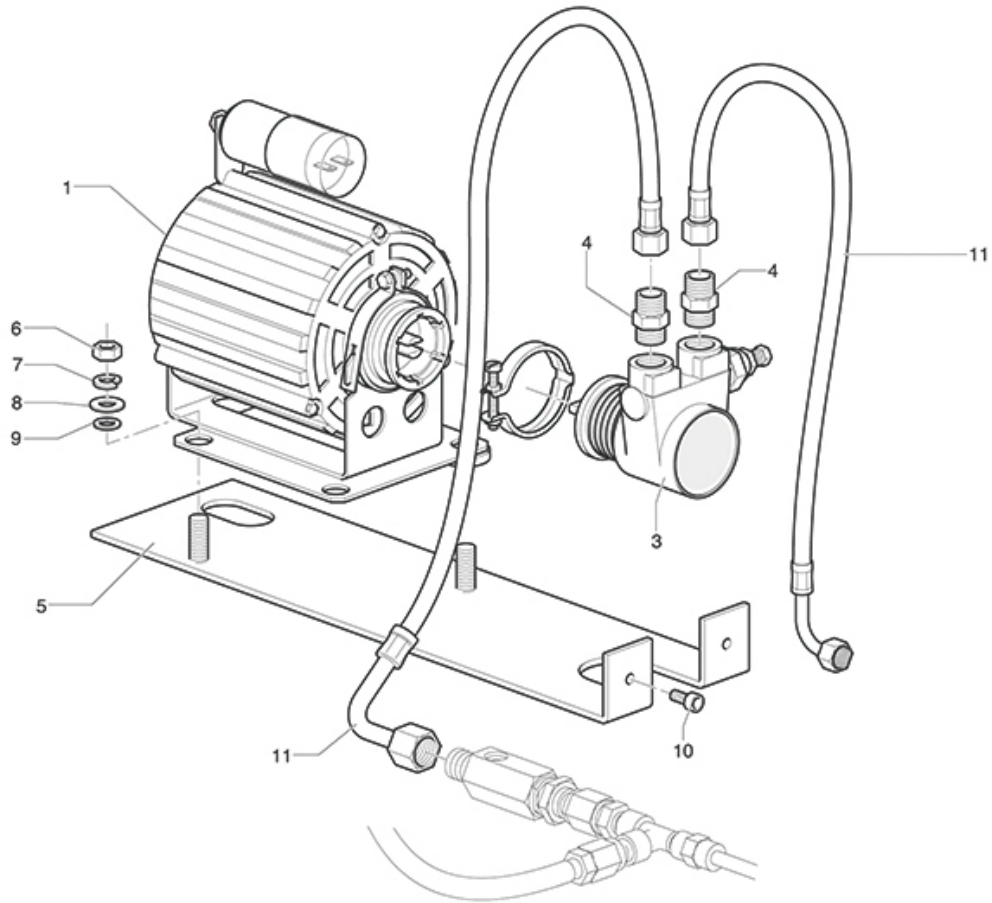


Pos.	LF code no.	Description	Pos.	LF code no.	Description
4	1186584	TRIANGULAR GASKET FOR HEATING ELEMENT	106	1385053	ANODISED ALUMINUM TAMPER ø 58 mm
4	1186635	TRIANGULAR GASKET FOR HEATING ELEMENT	107	1385600	DYNAMOMETRIC MANUAL COFFEE TAMPER ø 57mm
4	1786006	TRIANGULAR GASKET FOR HEATING ELEMENT			
5	1523572	BOILER VALVE ø 3/8"M - 1,8 bar CE/PED			
6	1755008	HEATING ELEMENT 2500W 220/380V			
6	1755056	HEATING ELEMENT 4000/4760W 220/240V			
6	1755270	HEATING ELEMENT 5465W 230V			
6	1755271	HEATING ELEMENT 6000/7140W 220/240V			
7	1349706	L-FITTING ø 3/8"M-3/8"M NICKEL-PLATED			
8	1349103	FITTING ø 3/8"M-3/8"M			
10	1186620	COPPER FLAT GASKET ø 22x17x1.5 mm			
12	1528622	HEXAGON HEAD SCREW M8x16			
13	1528622	HEXAGON HEAD SCREW M8x16			
14	1528008	WASHER FLAT M8			
15	1528084	CYLINDER HEAD SCREW M8x25			
16	1349014	BOILER FITTING ø 1/2"M-1/2"M			
20	1165108	COMPLETE FILTER HOLDER 2 CUPS GAGGIA			
21	1165109	COMPLETE FILTER HOLDER 1 CUP GAGGIA			
22	1165026	FILTER HOLDER GAGGIA/SAECO			
23	1141005	FILTER HOLDER KNOB M10			
24	1250333	SPRING FILTER BLOCK ø 1.30 mm ST.STEEL			
25	1022506	DOUBLE SPOUT ø 3/8"			
26	1022501	SINGLE SPOUT ø 3/8"			
27	1160252	2-CUP FILTER 12 GRAMS			
28	1160251	1 CUP FILTER 6 g			
29	1341016	LEVEL PROBE ø 1/4"M-123 mm			
32	1184006	LOW CYLINDER HEAD SCREW M4x12			
33	1081021	SHOWER SCREEN ø 55 mm			
34	1120335	3-WAY SOLENOID VALVE PARKER 230V 50/60Hz			
35	1443011	CONTACT THERMOSTAT 100°C M4			
36	1755826	CARTRIDGE HEATING ELEMENT 80W 240V			
37	1186676	FILTER HOLDER GASKET ø 72x56x8.5 mm			
37	1186741	FILTER HOLDER GASKET ø 72x56x8.5 mm			
38	1349710	NICHEL PLATED L-FITTING ø 1/4"M-1/4"M			
40	1184010	LOW CYLINDER HEAD SCREW M6x10			
41	1086509	SHOWER HOLDER DIFFUSER			
43	1186611	O-RING 02025 RED SILICONE			
44	1528100	CYLINDER HEAD SCREW M4x12			
45	1186980	COFFEE GROUP GASKET 73x61x1 mm			
46	1523537	BOILER VALVE ø 1/4"M			
47	1348036	NUT ø 3/8" WRENCH 21x6mm			
48	1186399	WASHER FLAT M16			
49	1520400	LEVEL GLASS ø 12x106 mm SILK-SCREEN PRIN			
53	1528136	GLASS FASTENING NUT ø 1/2"F HOLE 13 mm			
54	1186226	FLAT EPDM GASKET			
55	1186404	PTFE FLAT GASKET ø 18x13x2 mm			
56	3526699	BALL VALVE ø 1/4" MF			
58	1449271	DRAIN PIPE ELISPIR ø 14x20 mm - 30 m			
58	1449671	DRAIN PIPE ELISPIR ø 14x20 mm - 5 m			
63	1527537	DRAIN TRAY			
68	1449283	SILICONE HOSE ø 5x10 SHORE 60 - 100 m			
68	1449683	SILICONE HOSE ø 5x10 SHORE 60 - 10 m			
73	1022524	DOUBLE SPOUT ø 3/8"			
74	1022503	STRAIGHT SINGLE SPOUT ø 3/8"			
80	1160262	2-CUP FILTER 14 GRAMS			
81	1160261	1 CUP FILTER 7 gr			
82	1160339	BLIND FILTER			
83	1190001	PAPER SHIM ø 73x59x0.8 mm			
84	1190002	RUBBER SHIM ø 73x59x1 mm EPDM			
100	1069001	PLASTIC MEASURING SPOON 20 ml			
101	1069002	STAINLESS STEEL MEASURING SPOON 20 ml			
102	1384003	BLACK SHOWER CLEANING BRUSH			
103	1384002	BRUSH FOR MAINTENANCE			
104	1384001	BRUSH FOR COFFEE SHOWER			
105	1385002	NYLON COFFEE TAMPER ø 50/57 mm			
106	1385041	POLISHED ALUMINUM TAMPER ø 57 mm			



## GE-GD INLET TAP AND MOTOR

GE-GD





# GAGGIA



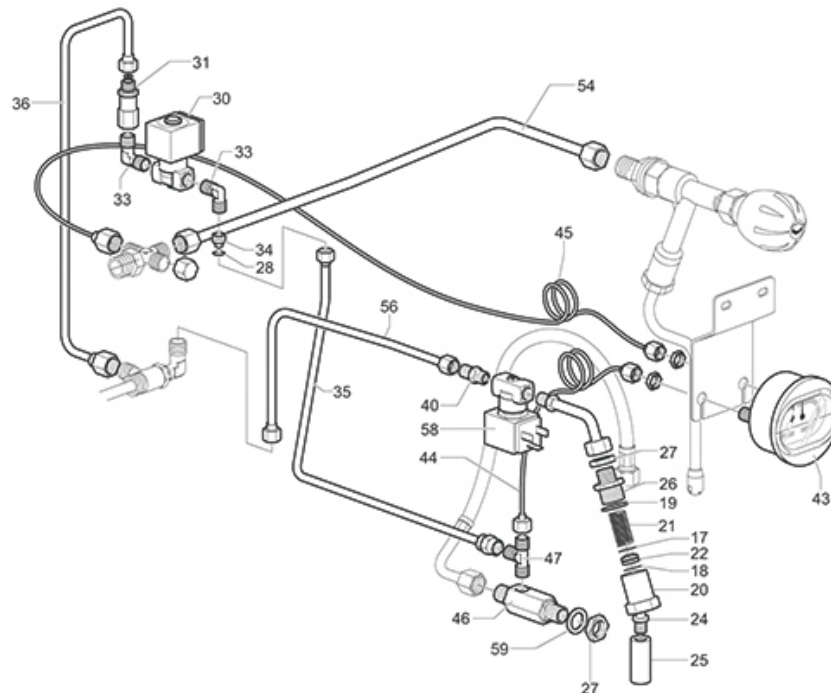
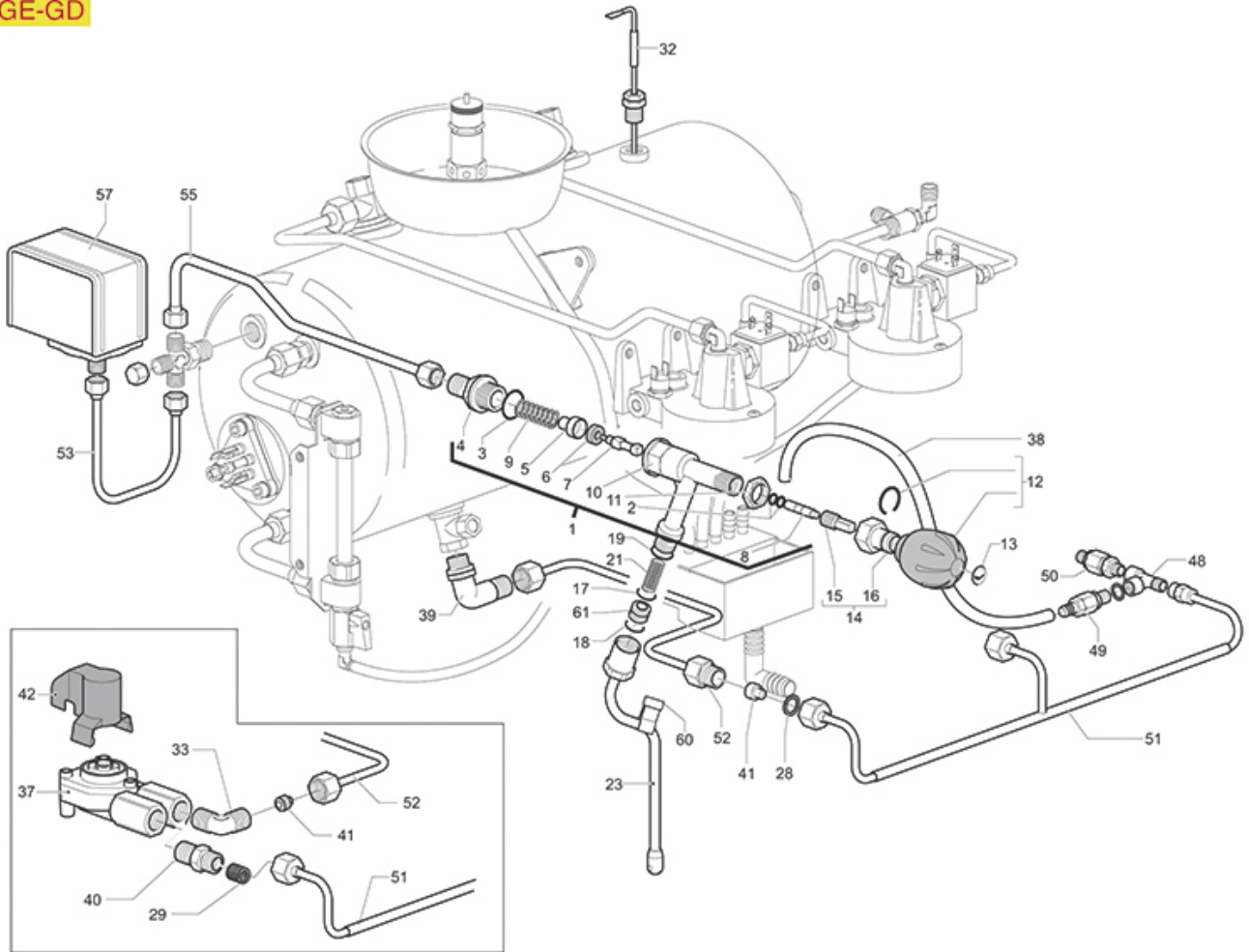
Position	LF code no.	Description
1	1240368	RPM CLAMP MOTOR 165W
2	1358005	COMPLETE WATER INLET TAP
3	1330001	ROTARY VANE PUMP ROTOFLOW $\varnothing$ 3/8" NPT
3	1330012	ROTARY VANE PUMP PROCON $\varnothing$ 3/8" NPT
4	1349112	FITTING $\varnothing$ 1/4"M-3/8"M
9	1528008	WASHER FLAT M8
12	1720003	CHECK VALVE
13	3186181	O-RING 03068 EPDM
14	1348036	NUT $\varnothing$ 3/8" WRENCH 21x6mm
15	1755006	NUT $\varnothing$ 1/4"
16	1358007	NUT FOR INLET TAP LEVER
17	1241150	INLET TAP LEVER
18	1324159	PIN $\varnothing$ 5x20.5 mm
21	1786231	GUARNIZIONE PIANA EPDM $\varnothing$ 24x15x3 mm
22	1449317	WATER PIPE NOZZLE
23	1186900	O-RING 02015 VITON
28	1186983	GASKET FLAT VITON $\varnothing$ 15x7x3 mm





## GE-GD WATER/STEAM TAPS

GE-GD





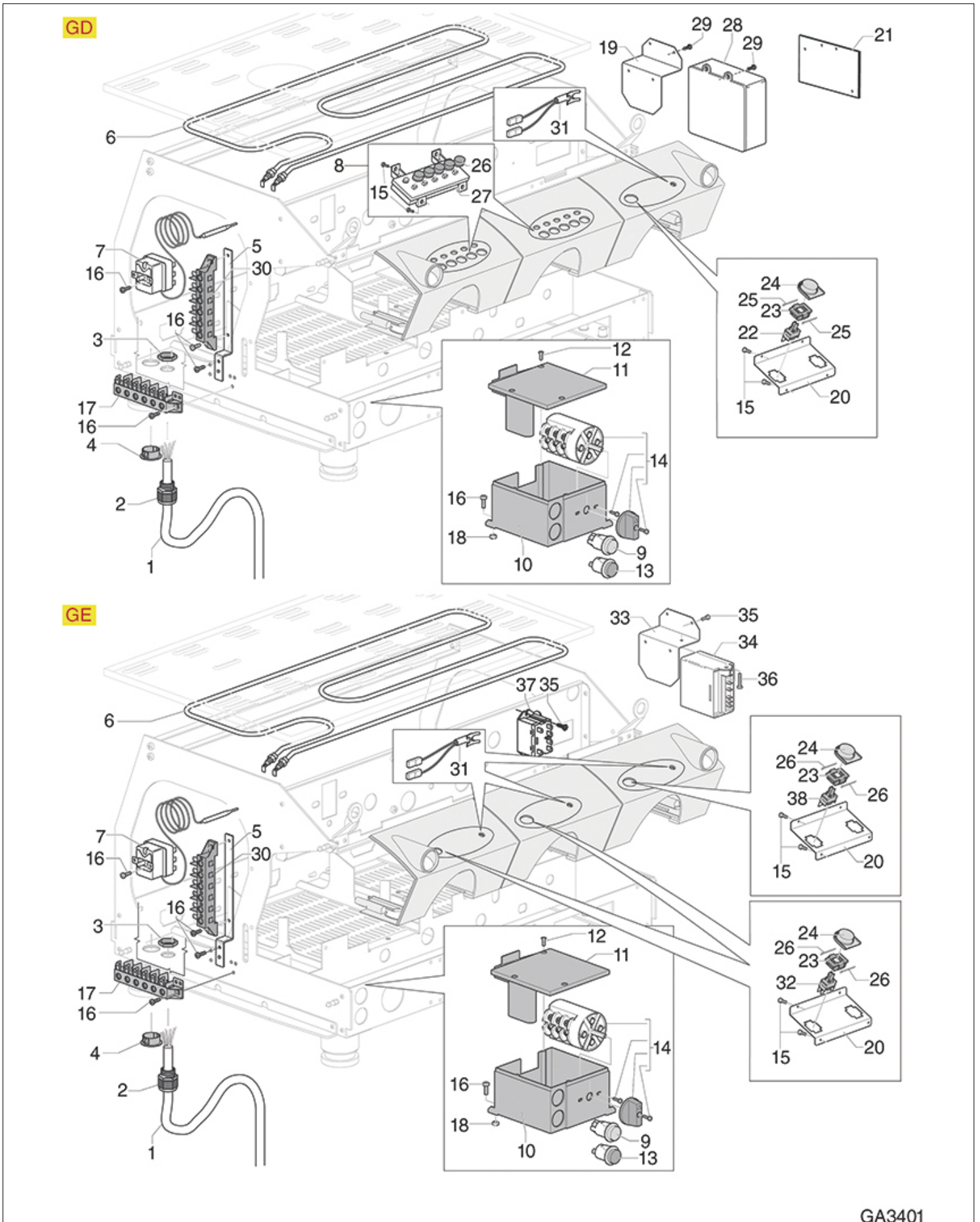
# GAGGIA



Position	LF code no.	Description
1	1348600	COMPLETE STEAM TAP
2	1186900	O-RING 02015 VITON
3	1186591	O-RING 0128 VITON
6	1186985	FLAT EPDM GASKET $\varnothing$ 15x6x6 mm
7	1324158	WATER/STEAM TAP PIN
8	5038097	TAP SHUTTER CONTROL PIN
11	1348036	NUT $\varnothing$ 3/8" WRENCH 21x6mm
12	5027276	WATER/STEAM TAP KNOB
13	1241417	STEAM SILK SCREEN PRINT. F. HANDLE
14	1324400	TAP SPINDLE
15	1324089	STEAM TAP SPINDLE
16	1439026	STEAM TAP EXTENSION
17	1186626	O-RING 0114 EPDM
18	1186709	O-RING 0115 VITON
19	1786232	O-RING 02062 BROWN VITON
21	1250534	SPRING $\varnothing$ 12x22 mm
22	1786230	PTFE CONICAL SEAL $\varnothing$ 14.5x6.5x9 mm
23	1549021	PIPE STEAM COMPLETE $\varnothing$ 10 mm
27	1755006	NUT $\varnothing$ 1/4"
28	1186755	O-RING 02018 VITON
30	1120243	2-WAYS SOLEN.VALVE PARKER 230V 50/60Hz
31	1523035	NON-RETURN VALVE $\varnothing$ 1/4"M-1/4"F
32	1341016	LEVEL PROBE $\varnothing$ 1/4"M-123 mm
37	1455060	VOLUMETRIC FLOWMETER GICAR
38	1449283	SILICONE HOSE $\varnothing$ 5x10 SHORE 60 - 100 m
38	1449683	SILICONE HOSE $\varnothing$ 5x10 SHORE 60 - 10 m
43	1245057	BOILER PRESSURE GAUGE $\varnothing$ 63 mm 0÷2.5 bar
43	1245801	BOILER-PUMP PRESSURE GAUGE $\varnothing$ 63 mm
49	1523432	EXPANSION VALVE $\varnothing$ 1/8"M 11 Bar
50	1523068	CHECK VALVE $\varnothing$ 1/8"M-1/8"M
57	1320531	PRESSURE SWITCH P302/6 3-POLES 30A
58	1120354	2-WAY SOLENOID VALVE PARKER 230V 50/60Hz
60	1549020	BURN PREVENTING RUBBERPIECE $\varnothing$ 10 mm



## GE-GD ELECTRICAL SYSTEM





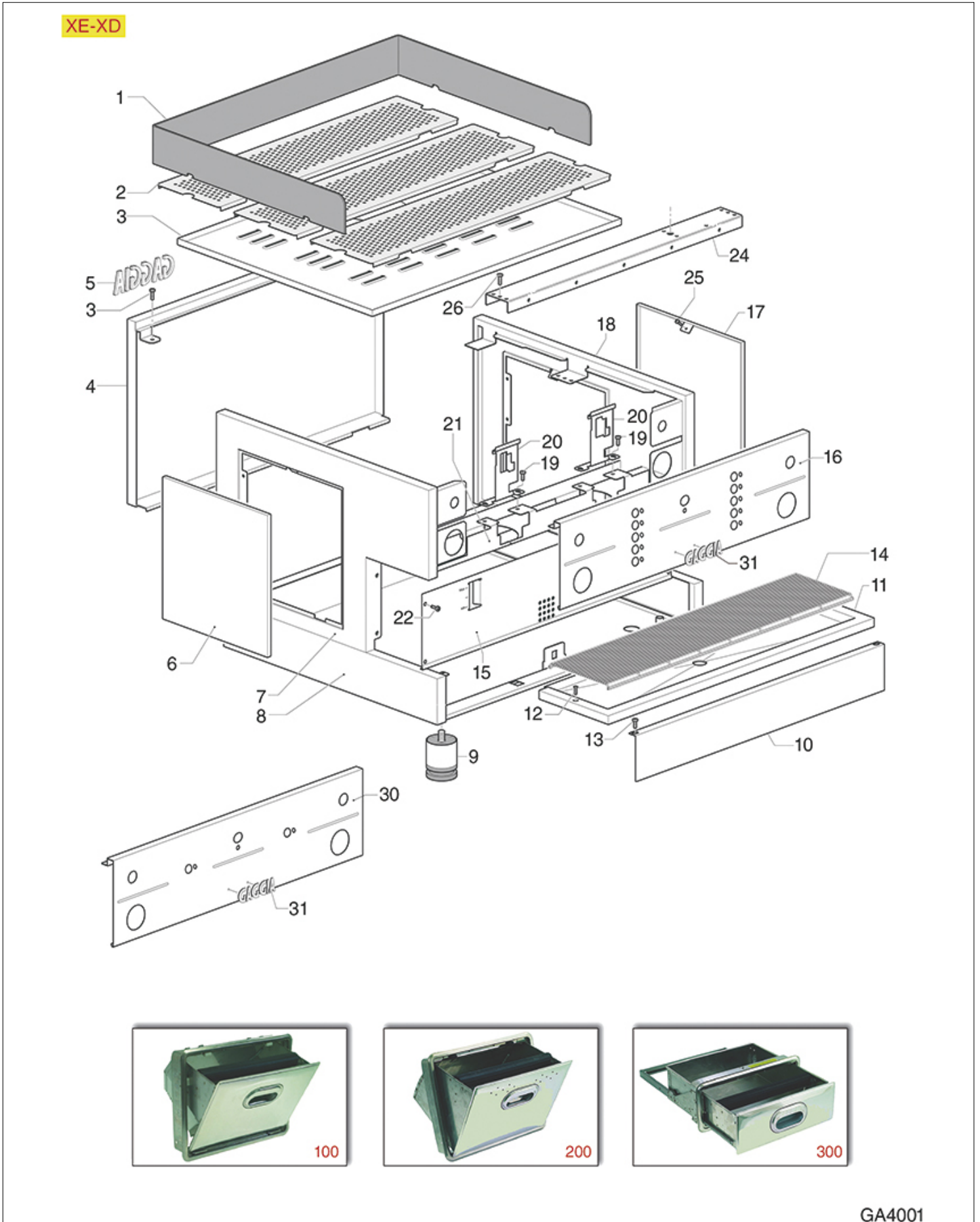
# GAGGIA



Position	LF code no.	Description
7	3444442	THREE-PHASE THERMOSTAT 170°C
8	1319529	PUSH-BUTTON PANEL 5 BUTTONS
9	3319948	RED BIPOLEAR SWITCH 16A 250V
13	3221407	RED INDICATOR LAMP 250V
14	3057296	SELECTOR SWITCH 0-3 POSITIONS 32A 690V
16	5055105	CYLINDER HEAD SCREW M4x10
17	3247009	6-POLE TERMINAL BLOCK FV122/B 40A 600V
22	1319547	SINGLE-POLE PUSH-BUTTON 16A 250V
23	1319562	PUSH-BUTTON SUPPORT
24	1319550	CHROME-PLATED PUSH-BUTTON
25	1528135	S/STEEL PIN ø 3.2x32 mm
26	1319578	CHROME-PLATED PUSH-BUTTON
28	1054048	DOSER CONTROL BOX 2 GROUPS 230V
30	3247009	6-POLE TERMINAL BLOCK FV122/B 40A 600V
31	1221023	RED INDICATOR LIGHT ø 8 mm
32	1319542	BIPOLEAR SWITCH 16A 250V
34	1341042	LEVEL ADJUSTER RL30/1E/2C/F 230V
37	1351021	RELAY POWER OMRON G7L-2A-TUB
38	1319544	SINGLE-POLE SWITCH 16A 250V



## XE-XD BODY PARTS







# GAGGIA

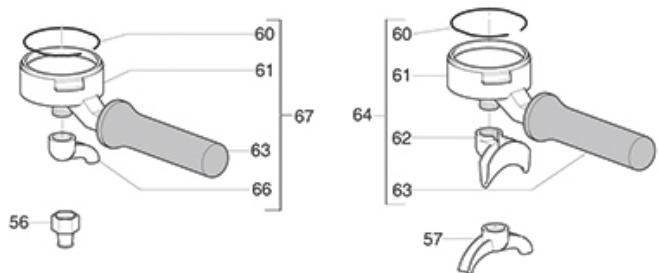
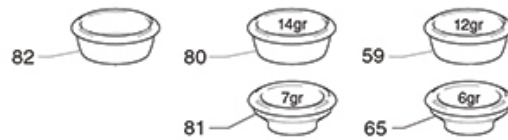
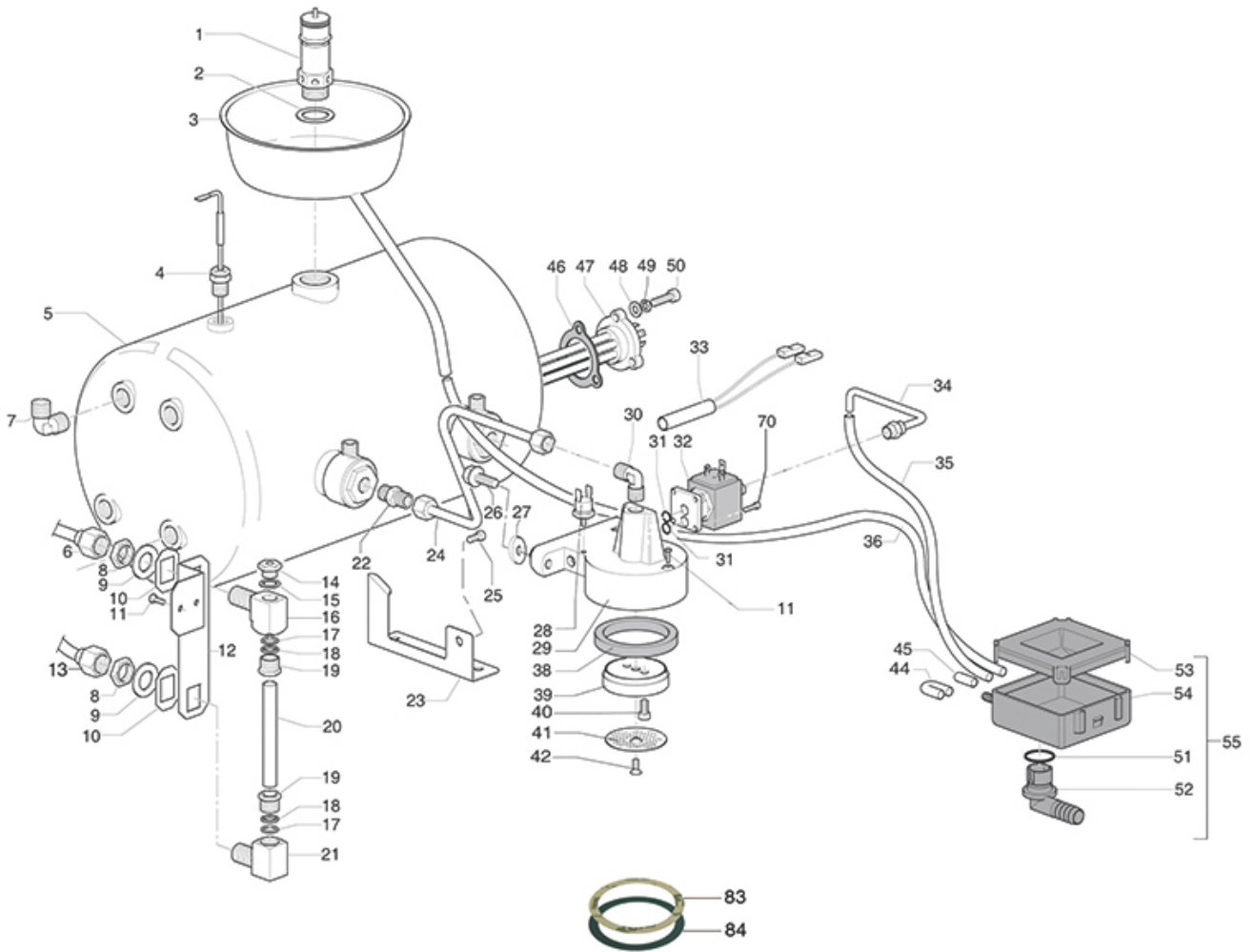


Position	LF code no.	Description
13	1528100	CYLINDER HEAD SCREW M4x12
100	3080011	KNOCKBOX
200	3080001	KNOCKBOX
300	3080002	S/STEEL DRAWER FOR COFFEE GROUNDS



## XE-XD GROUP/BOILER/LEVEL

**XE-XD**





# GAGGIA

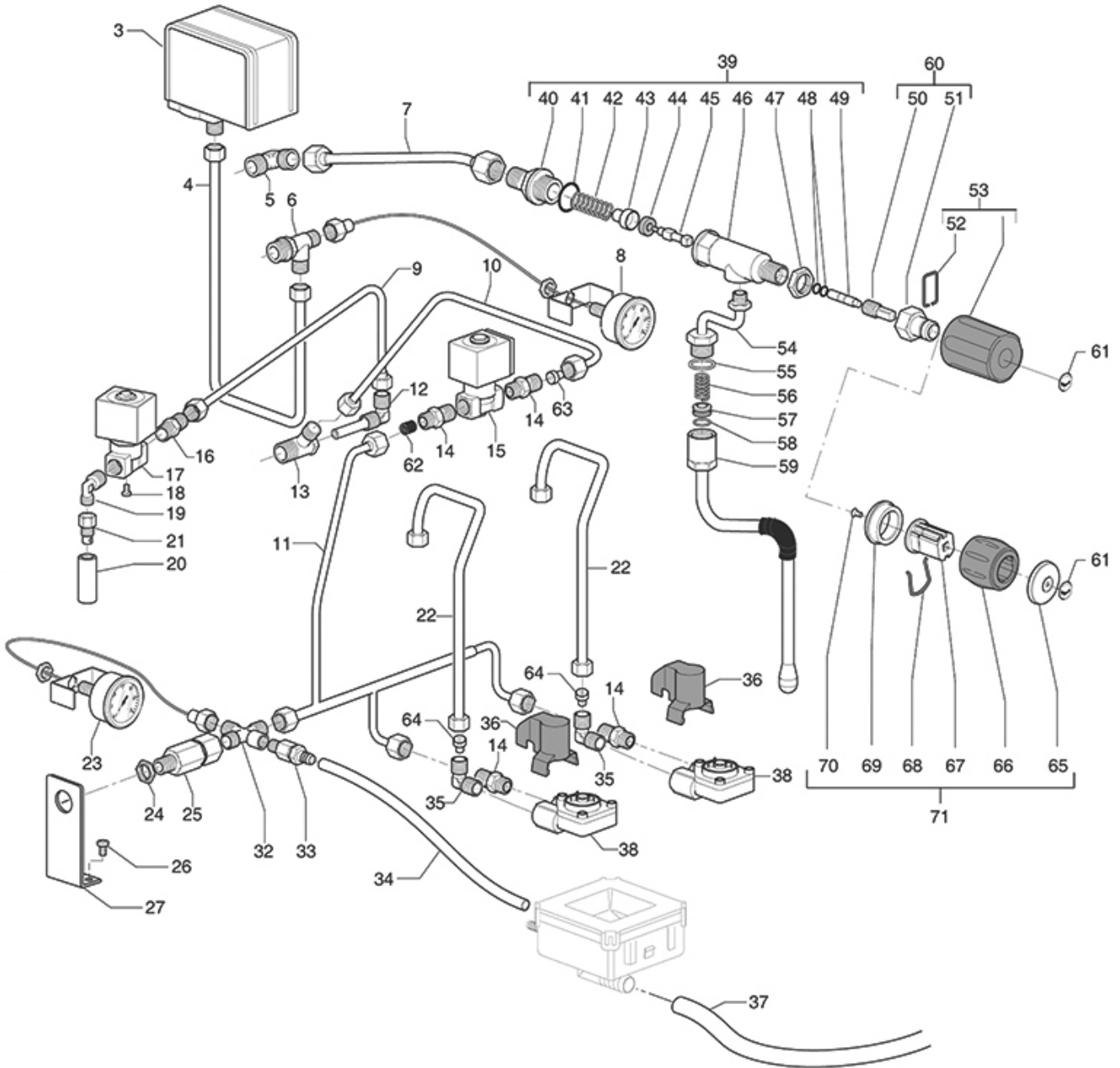


Pos.	LF code no.	Description	Pos.	LF code no.	Description
1	1523572	BOILER VALVE ø 3/8"M - 1,8 bar CE/PED	107	1385600	DYNAMOMETRIC MANUAL COFFEE TAMPER ø 57mm
2	1186620	COPPER FLAT GASKET ø 22x17x1.5 mm			
4	1341016	LEVEL PROBE ø 1/4"M-123 mm			
7	1349706	L-FITTING ø 3/8"M-3/8"M NICKEL-PLATED			
8	1348036	NUT ø 3/8" WRENCH 21x6mm			
9	1186399	WASHER FLAT M16			
11	1528100	CYLINDER HEAD SCREW M4x12			
14	1523537	BOILER VALVE ø 1/4"M			
15	1186404	PTFE FLAT GASKET ø 18x13x2 mm			
17	1186318	O-RING 03043 EPDM			
18	1786037	STUFFING GLAND RING ø 15x11.5x3 mm			
19	1349070	FITTING ø 3/8"M HOLE ø 12 mm			
20	1201053	LEVEL GLASS ø 11x95 mm			
25	1528622	HEXAGON HEAD SCREW M8x16			
26	1528622	HEXAGON HEAD SCREW M8x16			
28	1443011	CONTACT THERMOSTAT 100°C M4			
30	1349710	NICHEL PLATED L-FITTING ø 1/4"M-1/4"M			
31	1186611	O-RING 02025 RED SILICONE			
32	1120335	3-WAY SOLENOID VALVE PARKER 230V 50/60Hz			
33	1755826	CARTRIDGE HEATING ELEMENT 80W 240V			
35	1449283	SILICONE HOSE ø 5x10 SHORE 60 - 100 m			
35	1449683	SILICONE HOSE ø 5x10 SHORE 60 - 10 m			
36	1449283	SILICONE HOSE ø 5x10 SHORE 60 - 100 m			
36	1449683	SILICONE HOSE ø 5x10 SHORE 60 - 10 m			
38	1186676	FILTER HOLDER GASKET ø 72x56x8.5 mm			
38	1186741	FILTER HOLDER GASKET ø 72x56x8.5 mm			
39	1086509	SHOWER HOLDER DIFFUSER			
40	1184010	LOW CYLINDER HEAD SCREW M6x10			
41	1081021	SHOWER SCREEN ø 55 mm			
44	1449283	SILICONE HOSE ø 5x10 SHORE 60 - 100 m			
44	1449683	SILICONE HOSE ø 5x10 SHORE 60 - 10 m			
46	1186584	TRIANGULAR GASKET FOR HEATING ELEMENT			
46	1186635	TRIANGULAR GASKET FOR HEATING ELEMENT			
46	1786006	TRIANGULAR GASKET FOR HEATING ELEMENT			
47	1755056	HEATING ELEMENT 4000/4760W 220/240V			
47	1755270	HEATING ELEMENT 5465W 230V			
48	1528008	WASHER FLAT M8			
50	1528084	CYLINDER HEAD SCREW M8x25			
51	1786233	O-RING 03087 EPDM			
52	1527044	HOSE-END FITTING FOR DRAIN TANK			
55	1527043	DRAIN TANK			
56	1022503	STRAIGHT SINGLE SPOUT ø 3/8"			
57	1022524	DOUBLE SPOUT ø 3/8"			
59	1160252	2-CUP FILTER 12 GRAMS			
60	1250333	SPRING FILTER BLOCK ø 1.30 mm ST.STEEL			
61	1165026	FILTER HOLDER GAGGIA/SAECO			
62	1022506	DOUBLE SPOUT ø 3/8"			
63	1141005	FILTER HOLDER KNOB M10			
64	1165108	COMPLETE FILTER HOLDER 2 CUPS GAGGIA			
65	1160251	1 CUP FILTER 6 g			
66	1022501	SINGLE SPOUT ø 3/8"			
67	1165109	COMPLETE FILTER HOLDER 1 CUP GAGGIA			
70	1184006	LOW CYLINDER HEAD SCREW M4x12			
80	1160262	2-CUP FILTER 14 GRAMS			
81	1160261	1 CUP FILTER 7 gr			
82	1160339	BLIND FILTER			
83	1190011	PAPER SEAL ø 72x58x0.8 mm			
84	1190002	RUBBER SHIM ø 73x59x1 mm EPDM			
100	1069001	PLASTIC MEASURING SPOON 20 ml			
101	1069002	STAINLESS STEEL MEASURING SPOON 20 ml			
102	1384003	BLACK SHOWER CLEANING BRUSH			
103	1384002	BRUSH FOR MAINTENANCE			
104	1384001	BRUSH FOR COFFEE SHOWER			
105	1385002	NYLON COFFEE TAMPER ø 50/57 mm			
106	1385041	POLISHED ALUMINUM TAMPER ø 57 mm			
106	1385053	ANODISED ALUMINUM TAMPER ø 58 mm			



## XE-XD WATER/STEAM TAPS

**XE-XD**



0+100°C	---	<b>100</b>
0+100°C	---	<b>101</b>
	---	<b>102</b>
0,60L	6 cups	<b>103</b>
0,70L	9 cups	<b>104</b>
1,10L	12 cups	<b>105</b>
---	---	<b>106</b>

INOX 18/10

0,20L	2 cups	<b>200</b>
0,30L	3 cups	<b>201</b>
0,45L	4 cups	<b>202</b>
0,60L	6 cups	<b>203</b>
0,70L	9 cups	<b>204</b>
1,10L	12 cups	<b>205</b>
---	---	<b>206</b>

INOX 18/10

---	---	<b>300</b>
---	---	<b>301</b>
---	---	<b>302</b>
0,60L	6 cups	<b>303</b>
1,00L	10 cups	<b>304</b>
1,50L	12 cups	<b>305</b>
2,00L	15 cups	<b>306</b>

INOX 18/10

0,25L	2 cups	<b>400</b>
0,35L	3 cups	<b>401</b>
0,50L	4 cups	<b>402</b>
0,75L	6 cups	<b>403</b>
1,00L	10 cups	<b>404</b>
1,50L	13 cups	<b>405</b>
---	---	<b>406</b>

INOX 18/10



# GAGGIA



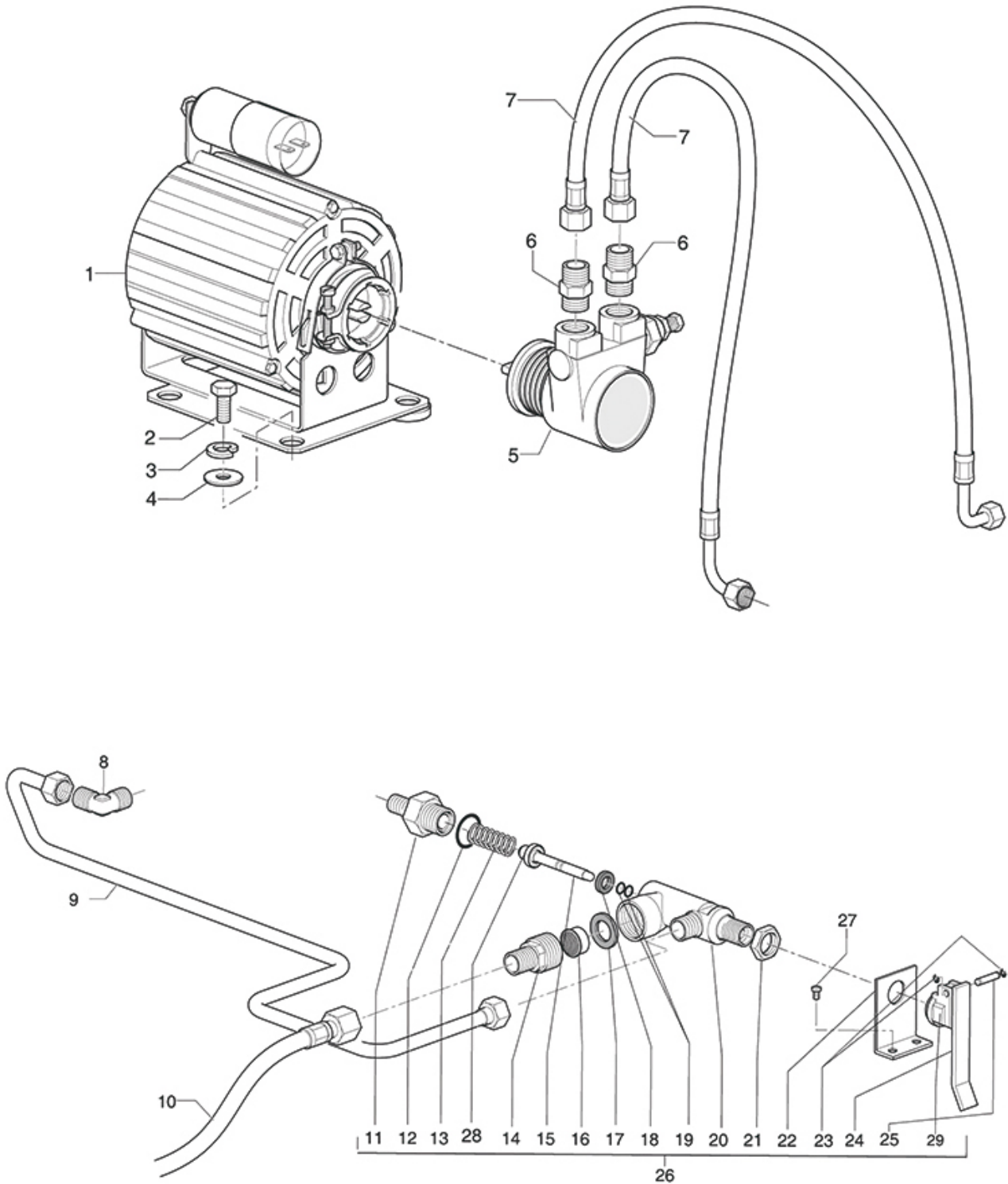
Position	LF code no.	Description
3	1320531	PRESSURE SWITCH P302/6 3-POLES 30A
5	1349706	L-FITTING $\varnothing$ 3/8"M-3/8"M NICKEL-PLATED
8	1245055	BOILER PRESSURE GAUGE $\varnothing$ 41 mm 0+3 bar
15	1120243	2-WAYS SOLEN.VALVE PARKER 230V 50/60Hz
17	1120354	2-WAY SOLENOID VALVE PARKER 230V 50/60Hz
23	1245061	PUMP PRESSURE GAUGE $\varnothing$ 41 mm 0+15 bar
24	1755006	NUT $\varnothing$ 1/4"
25	1523514	NON-RETURN VALVE $\varnothing$ 1/4"F-1/4"M
33	1523432	EXPANSION VALVE $\varnothing$ 1/8"M 11 Bar
34	1449283	SILICONE HOSE $\varnothing$ 5x10 SHORE 60 - 100 m
34	1449683	SILICONE HOSE $\varnothing$ 5x10 SHORE 60 - 10 m
38	1455060	VOLUMETRIC FLOWMETER GICAR
39	1348483	WATER/STEAM TAP
41	1186591	O-RING 0128 VITON
44	1186985	FLAT EPDM GASKET $\varnothing$ 15x6x6 mm
45	1324158	WATER/STEAM TAP PIN
47	1348036	NUT $\varnothing$ 3/8" WRENCH 21x6mm
48	1186900	O-RING 02015 VITON
49	5038097	TAP SHUTTER CONTROL PIN
50	1324089	STEAM TAP SPINDLE
51	1439026	STEAM TAP EXTENSION
52	1250206	HANDLE SPRING
53	1241176	WATER/STEAM TAP KNOB
55	1786232	O-RING 02062 BROWN VITON
56	1250534	SPRING $\varnothing$ 12x22 mm
57	1786230	PTFE CONICAL SEAL $\varnothing$ 14.5x6.5x9 mm
58	1186626	O-RING 0114 EPDM
59	1549021	PIPE STEAM COMPLETE $\varnothing$ 10 mm
60	1324400	TAP SPINDLE
61	1241417	STEAM SILK SCREEN PRINT. F. HANDLE
71	1241176	WATER/STEAM TAP KNOB
90	1394553	ANALOGICAL THERMOMETER $\varnothing$ 25 mm
91	1394554	ANALOG THERMOMETER $\varnothing$ 45 mm
103	1024051	SERVING COFFEE POT PRATIKA 0.60 L
104	1024052	SERVING COFFEE POT PRATIKA 0.70 L
105	1024053	SERVING COFFEE POT PRATIKA 1.10 L
200	1024001	MILK PITCHER PRATIKA 0.20 L
201	1024002	MILK PITCHER PRATIKA 0.30 L
202	1024003	MILK PITCHER PRATIKA 0.45 L
203	1024004	MILK PITCHER PRATIKA 0.60 L
204	1024005	MILK PITCHER PRATIKA 0.70 L
205	1024006	MILK PITCHER PRATIKA 1.10 L
302	1224901	MILK JUG 0.35 L
303	1224902	MILK JUG 0.60 L
304	1224903	MILK JUG 1 L
305	1224904	MILK JUG 1.5 L
400	1224014	MILK PITCHER EUROPA WITH SPOUT 0.25 L
401	1224015	MILK PITCHER EUROPA WITH SPOUT 0.35 L
402	1224010	MILK PITCHER EUROPA WITH SPOUT 0.50 L
403	1224011	MILK PITCHER EUROPA WITH SPOUT 0.75 L
404	1224012	MILK PITCHER EUROPA WITH SPOUT 1 L
405	1224013	MILK PITCHER EUROPA WITH SPOUT 1.5 L





## XE-XD INLET TAP AND MOTOR

XE-XD





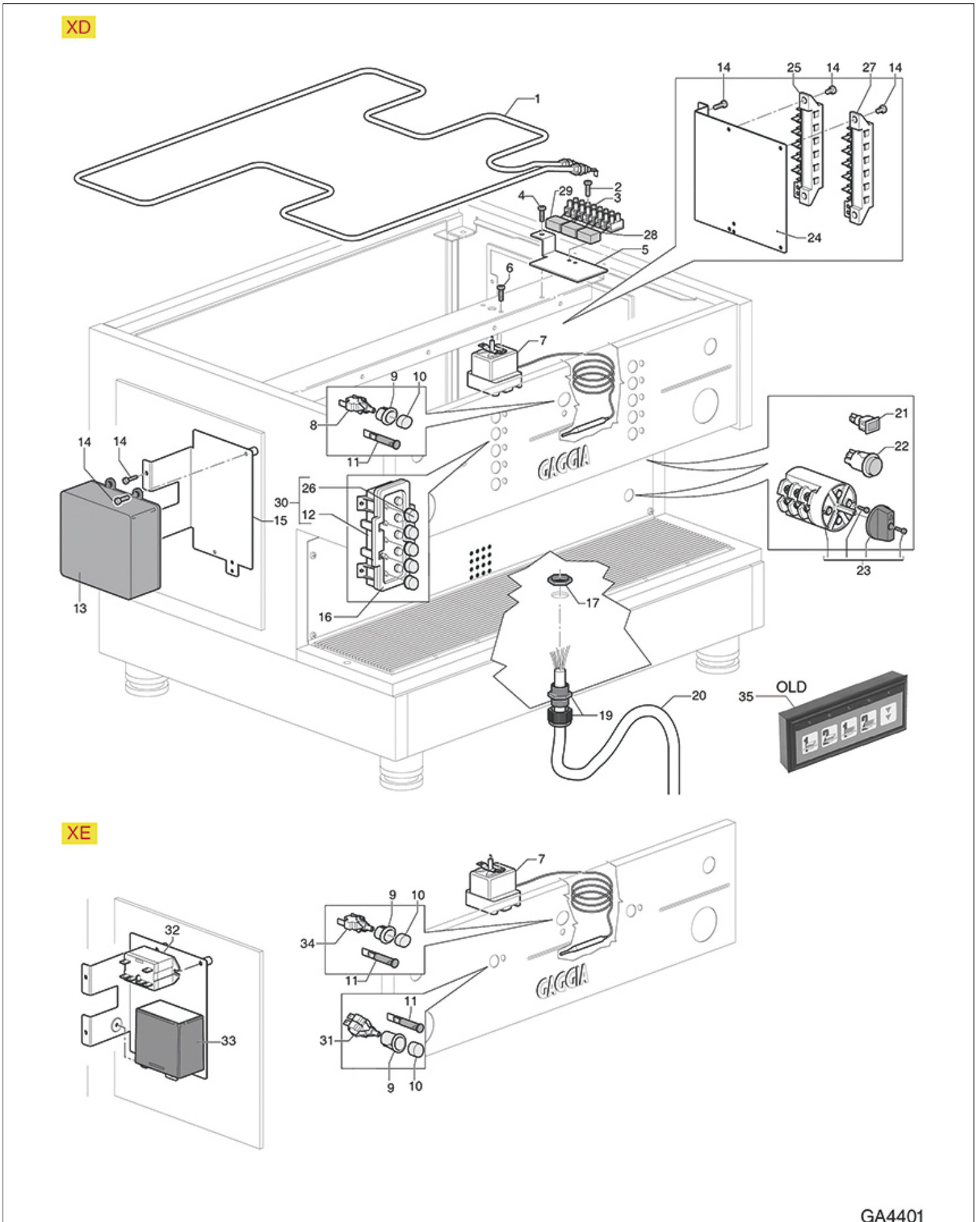
# GAGGIA



Position	LF code no.	Description
1	1240368	RPM CLAMP MOTOR 165W
5	1330001	ROTARY VANE PUMP ROTOFLOW $\varnothing$ 3/8" NPT
6	1349112	FITTING $\varnothing$ 1/4"M-3/8"M
8	1349706	L-FITTING $\varnothing$ 3/8"M-3/8"M NICKEL-PLATED
12	3186181	O-RING 03068 EPDM
16	1449317	WATER PIPE NOZZLE
17	1786231	GUARNIZIONE PIANA EPDM $\varnothing$ 24x15x3 mm
18	1186983	GASKET FLAT VITON $\varnothing$ 15x7x3 mm
19	1186900	O-RING 02015 VITON
21	1348036	NUT $\varnothing$ 3/8" WRENCH 21x6mm
24	1241150	INLET TAP LEVER
25	1324159	PIN $\varnothing$ 5x20.5 mm
26	1358005	COMPLETE WATER INLET TAP
29	1358007	NUT FOR INLET TAP LEVER



## XE-XD ELECTRICAL SYSTEM





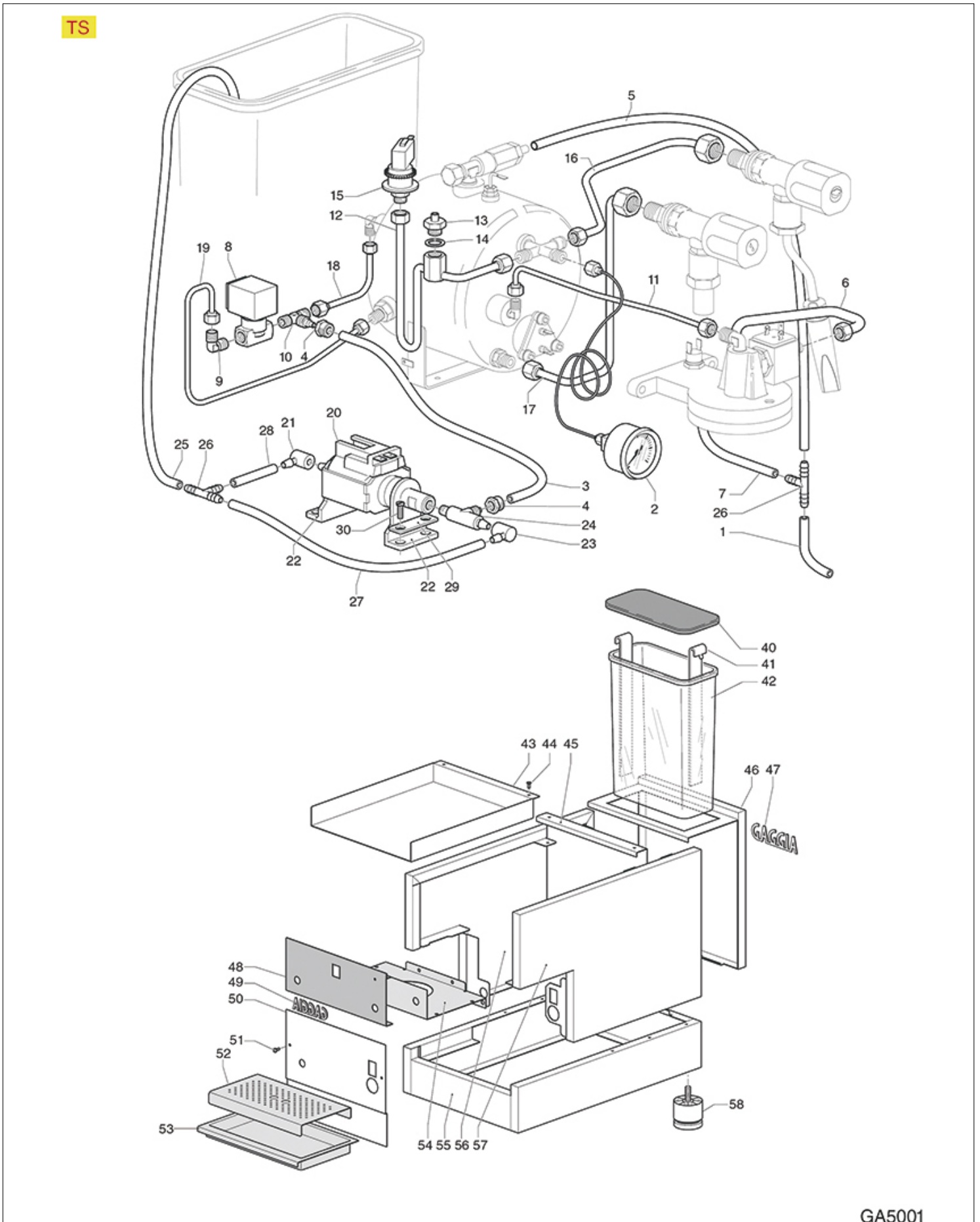
# GAGGIA



Position	LF code no.	Description
7	3444442	THREE-PHASE THERMOSTAT 170°C
8	1319082	SINGLE-POLE PUSH BUTTON 16A 250V
11	3221284	RED INDICATOR LAMP 250V
13	1054048	DOSER CONTROL BOX 2 GROUPS 230V
13	1054556	DOSER CONTROL BOX 2-3 GROUPS 230V
14	1528100	CYLINDER HEAD SCREW M4x12
21	1221057	GREEN INDICATOR LIGHT 250 V
22	3319948	RED BIPOLAR SWITCH 16A 250V
23	3057296	SELECTOR SWITCH 0-3 POSITIONS 32A 690V
25	3247009	6-POLE TERMINAL BLOCK FV122/B 40A 600V
26	1319578	CHROME-PLATED PUSH-BUTTON
27	3247009	6-POLE TERMINAL BLOCK FV122/B 40A 600V
30	1319528	PUSH-BUTTON PANEL 5 BUTTONS
31	3319920	BLACK TWO-POLE SWITCH 16A 250V
32	1351021	RELAY POWER OMRON G7L-2A-TUB
33	1341041	LEVEL CONTROLLER RL 1E/2C/F 230V
34	3319921	SINGLE-POLE SWITCH 16A 250V
35	1319067	PUSH-BUTTON PANEL 5 BUTTONS



## TS BOBY AND HYDRAULIC CIRCUIT







# GAGGIA

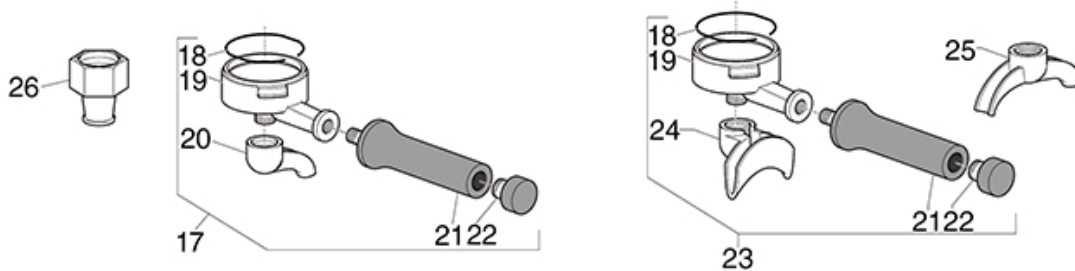
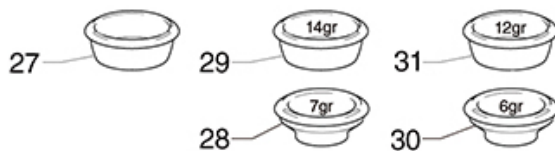
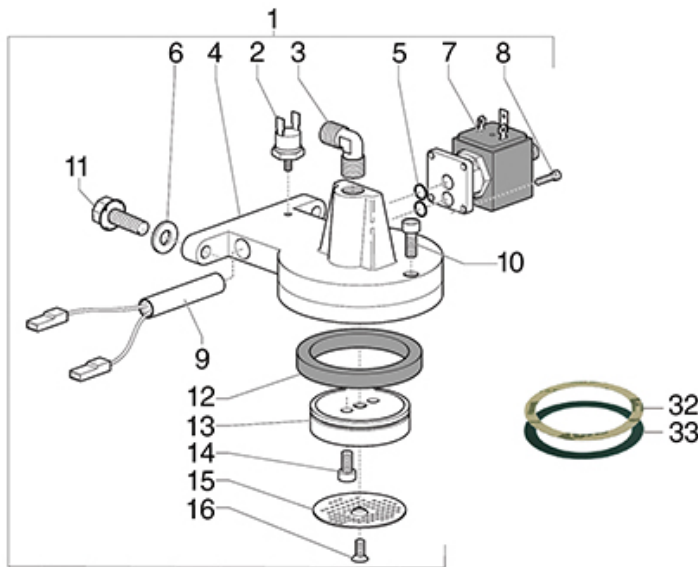
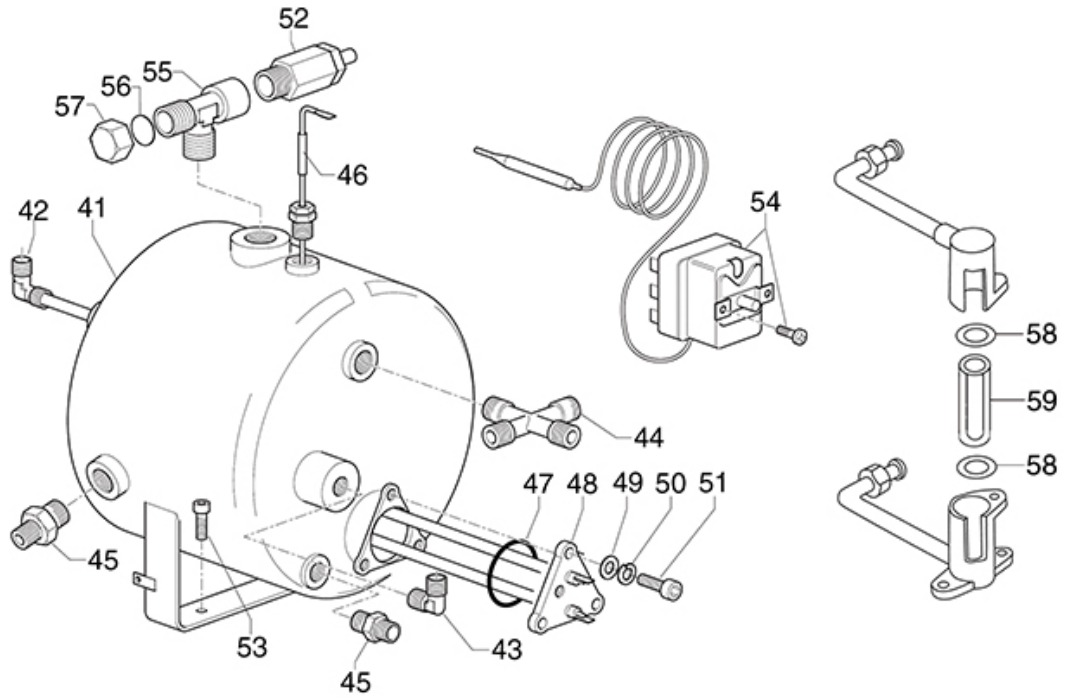


Position	LF code no.	Description
1	1449283	SILICONE HOSE $\varnothing$ 5x10 SHORE 60 - 100 m
1	1449683	SILICONE HOSE $\varnothing$ 5x10 SHORE 60 - 10 m
2	1245056	BOILER PRESSURE GAUGE $\varnothing$ 41 mm 0÷3 bar
5	1449283	SILICONE HOSE $\varnothing$ 5x10 SHORE 60 - 100 m
5	1449683	SILICONE HOSE $\varnothing$ 5x10 SHORE 60 - 10 m
7	1449283	SILICONE HOSE $\varnothing$ 5x10 SHORE 60 - 100 m
7	1449683	SILICONE HOSE $\varnothing$ 5x10 SHORE 60 - 10 m
8	1120243	2-WAYS SOLEN.VALVE PARKER 230V 50/60Hz
9	1349710	NICHEL PLATED L-FITTING $\varnothing$ 1/4"M-1/4"M
13	1523537	BOILER VALVE $\varnothing$ 1/4"M
14	1186404	PTFE FLAT GASKET $\varnothing$ 18x13x2 mm
15	1320022	PRESSURE SWITCH XP110 125 1-2.5 BAR 1/4"
20	1122737	VIBRATORY PUMP EP5 48W 230V 50Hz
21	1349651	PIPETTE FITTING 90°
22	1331023	SQUARE DAMPER EX-EP-EK-EA
23	1349651	PIPETTE FITTING 90°
26	1315008	T-SHAPED HOSE END FITTING $\varnothing$ 8 mm
27	1449283	SILICONE HOSE $\varnothing$ 5x10 SHORE 60 - 100 m
27	1449683	SILICONE HOSE $\varnothing$ 5x10 SHORE 60 - 10 m
28	1449283	SILICONE HOSE $\varnothing$ 5x10 SHORE 60 - 100 m
28	1449683	SILICONE HOSE $\varnothing$ 5x10 SHORE 60 - 10 m
40	1080115	WATER TANK LID BLACK
42	5030079	WATER TANK
44	1528100	CYLINDER HEAD SCREW M4x12
51	5055105	CYLINDER HEAD SCREW M4x10



## TS GROUP/BOILER

TS





# GAGGIA

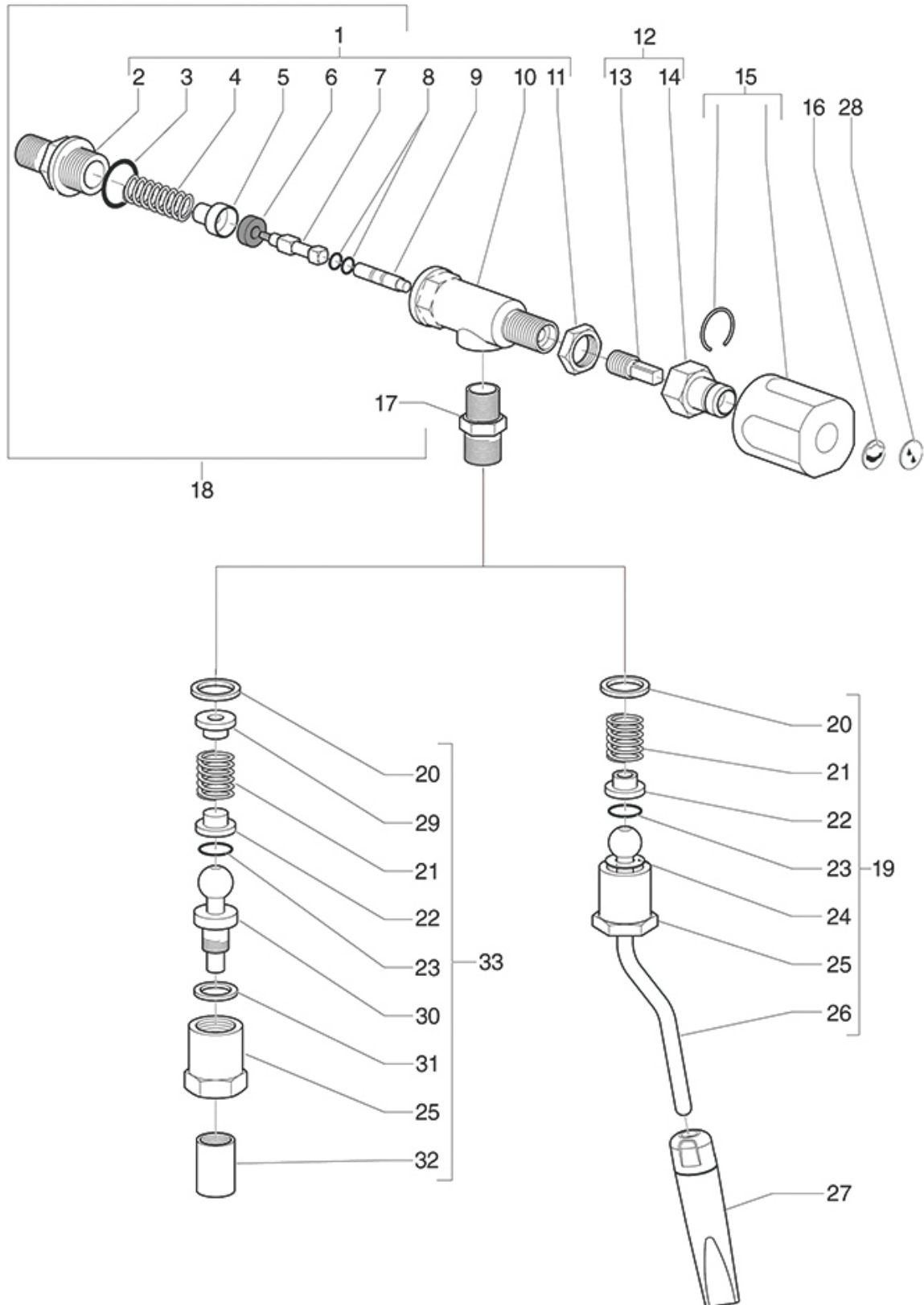


Position	LF code no.	Description
2	1443011	CONTACT THERMOSTAT 100°C M4
3	1349710	NICHEL PLATED L-FITTING Ø 1/4"M-1/4"M
5	1186611	O-RING 02025 RED SILICONE
7	1120335	3-WAY SOLENOID VALVE PARKER 230V 50/60Hz
8	1184006	LOW CYLINDER HEAD SCREW M4x12
9	1755826	CARTRIDGE HEATING ELEMENT 80W 240V
11	1528622	HEXAGON HEAD SCREW M8x16
12	1186676	FILTER HOLDER GASKET Ø 72x56x8.5 mm
12	1186741	FILTER HOLDER GASKET Ø 72x56x8.5 mm
13	1086509	SHOWER HOLDER DIFFUSER
14	1184010	LOW CYLINDER HEAD SCREW M6x10
15	1081021	SHOWER SCREEN Ø 55 mm
18	1250333	SPRING FILTER BLOCK Ø 1.30 mm ST.STEEL
19	1165026	FILTER HOLDER GAGGIA/SAECO
20	1022501	SINGLE SPOUT Ø 3/8"
24	1022506	DOUBLE SPOUT Ø 3/8"
25	1022524	DOUBLE SPOUT Ø 3/8"
26	1022503	STRAIGHT SINGLE SPOUT Ø 3/8"
27	1160339	BLIND FILTER
28	1160261	1 CUP FILTER 7 gr
29	1160262	2-CUP FILTER 14 GRAMS
30	1160251	1 CUP FILTER 6 g
31	1160252	2-CUP FILTER 12 GRAMS
32	1190011	PAPER SEAL Ø 72x58x0.8 mm
33	1190002	RUBBER SHIM Ø 73x59x1 mm EPDM
47	1186798	O-RING 0146 VITON
48	1755264	HEATING ELEMENT 1500W 230V
50	1528008	WASHER FLAT M8
51	1528084	CYLINDER HEAD SCREW M8x25
52	1720006	EXPANSION VALVE Ø 3/8"M-7 mm 1.9 bar
54	1444048	SINGLE-PHASE THERMOSTAT 153°C
58	1186318	O-RING 03043 EPDM
59	1520004	LEVEL GLASS Ø 11x55 mm
100	1069001	PLASTIC MEASURING SPOON 20 ml
101	1069002	STAINLESS STEEL MEASURING SPOON 20 ml
102	1384003	BLACK SHOWER CLEANING BRUSH
103	1384002	BRUSH FOR MAINTENANCE
104	1384001	BRUSH FOR COFFEE SHOWER
105	1385002	NYLON COFFEE TAMPER Ø 50/57 mm
106	1385041	POLISHED ALUMINUM TAMPER Ø 57 mm
106	1385053	ANODISED ALUMINUM TAMPER Ø 58 mm
107	1385600	DYNAMOMETRIC MANUAL COFFEE TAMPER Ø 57mm



## TS WATER/STEAM TAPS

TS





# GAGGIA



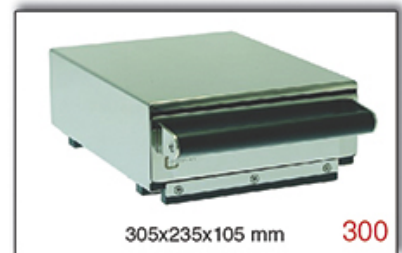
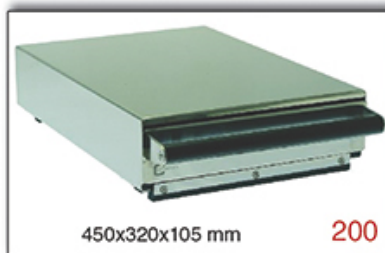
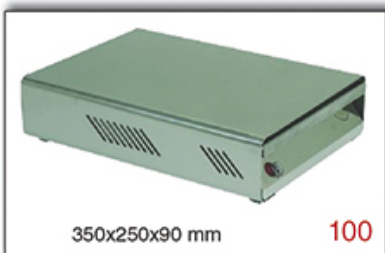
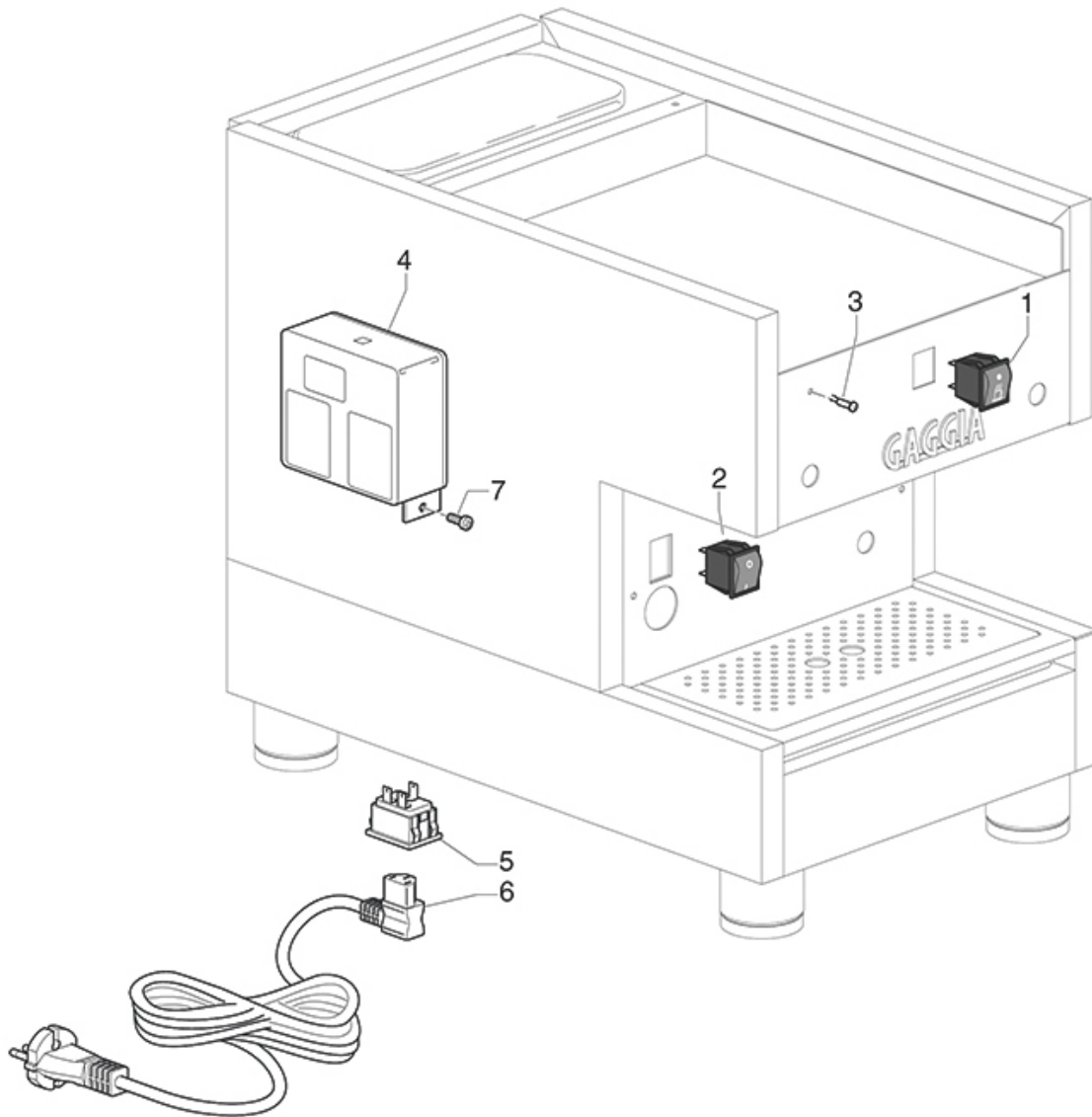
Position	LF code no.	Description
1	1348483	WATER/STEAM TAP
3	1186591	O-RING 0128 VITON
6	1186985	FLAT EPDM GASKET $\varnothing$ 15x6x6 mm
7	1324158	WATER/STEAM TAP PIN
8	1186900	O-RING 02015 VITON
9	5038097	TAP SHUTTER CONTROL PIN
11	1348036	NUT $\varnothing$ 3/8" WRENCH 21x6mm
12	1241176	WATER/STEAM TAP KNOB
13	1324089	STEAM TAP SPINDLE
14	1439026	STEAM TAP EXTENSION
15	1241176	WATER/STEAM TAP KNOB
16	1241174	STEAM SILK SCREEN PRINTING FOR KNOB
19	1549018	STEAM PIPE COMPLETE $\varnothing$ 6 mm
20	1786232	O-RING 02062 BROWN VITON
21	1250534	SPRING $\varnothing$ 12x22 mm
22	1786230	PTFE CONICAL SEAL $\varnothing$ 14.5x6.5x9 mm
23	1186626	O-RING 0114 EPDM
24	1186709	O-RING 0115 VITON
27	5047887	PLASTIC PANNARELLO
28	1241175	WATER SILK SCREEN PRINTING FOR KNOB
29	1548004	SPRING BUSHING
31	1186709	O-RING 0115 VITON





## TS ELECTRICAL SYSTEM

TS





# GAGGIA

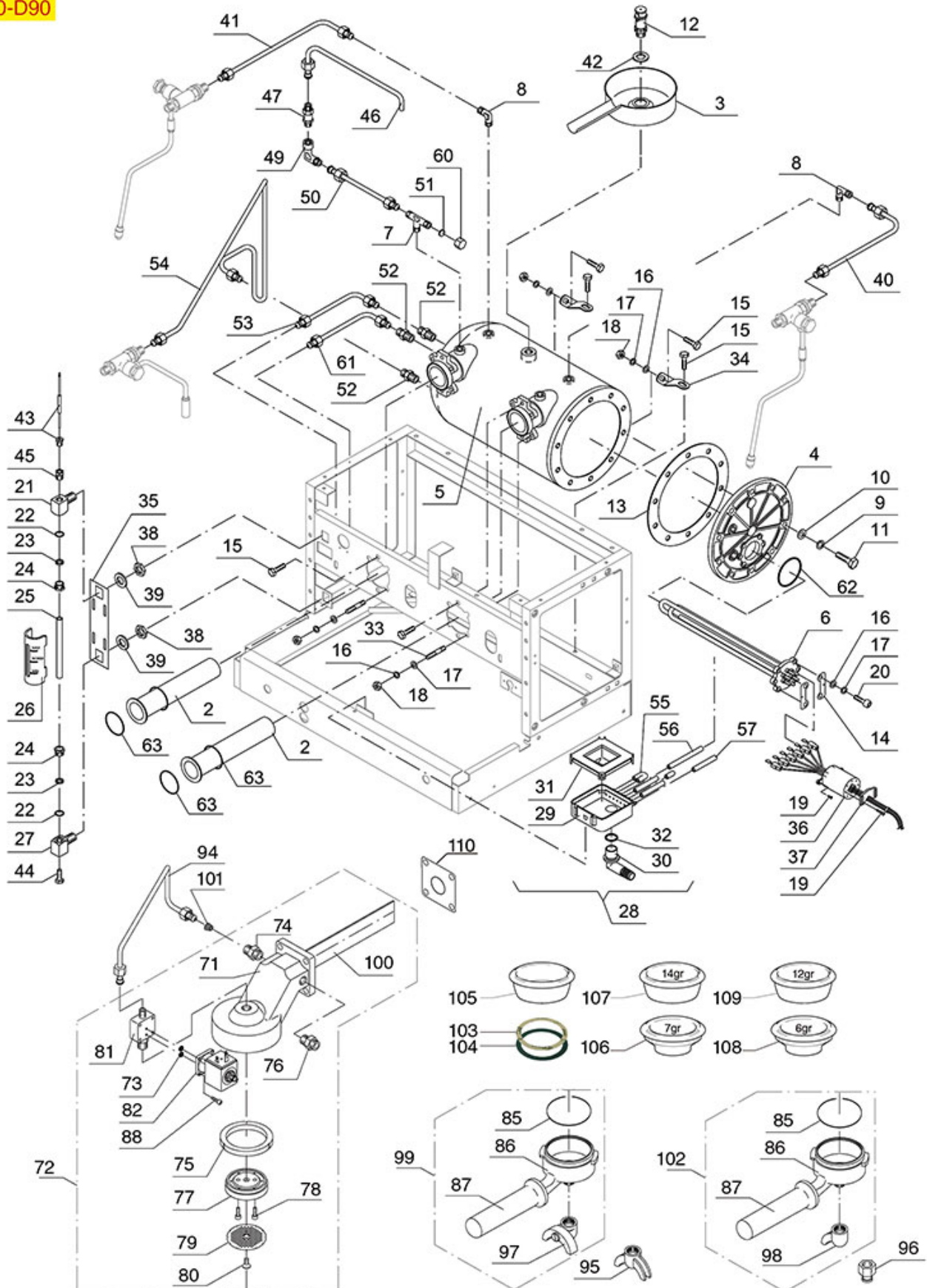


Position	LF code no.	Description
1	1319527	RED BIPOLAR SWITCH 16A 250V
2	3319016	SWITCH 2-POLE RED 16A 250V
3	3221284	RED INDICATOR LAMP 250V
4	1054571	LEVEL REGULATOR RL01E/1S/4C/F 240V
100	1080170	ST.STEEL DRAWER FOR COFFEE DREGS
200	1480753	STAINLESS STEEL COFFEE DREGS DRAWER
300	1480755	STAINLESS STEEL COFFEE DREGS DRAWER



## E90-D90 GROUP/BOILER/LEVEL

E90-D90



GA6001



# GAGGIA

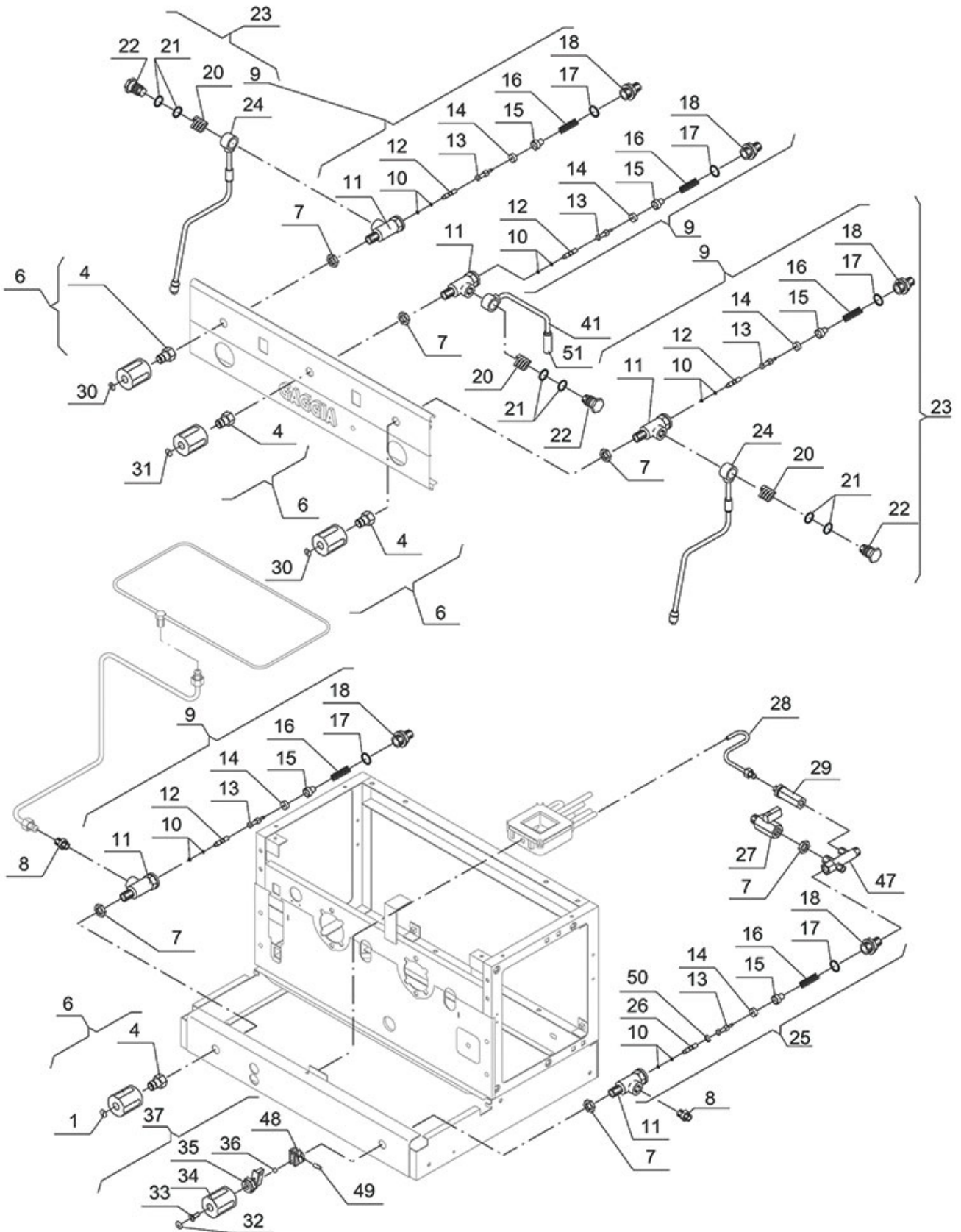


Position	LF code no.	Description
6	1755275	HEATING ELEMENT 5000W 240V
8	1349710	NICHEL PLATED L-FITTING $\varnothing$ 1/4"M-1/4"M
12	1523572	BOILER VALVE $\varnothing$ 3/8"M - 1,8 bar CE/PED
13	1186296	GASKET BOILER $\varnothing$ 220x168x2 mm
16	1528008	WASHER FLAT M8
20	1528084	CYLINDER HEAD SCREW M8x25
22	1186318	O-RING 03043 EPDM
23	1786037	STUFFING GLAND RING $\varnothing$ 15x11.5x3 mm
24	1349070	FITTING $\varnothing$ 3/8"M HOLE $\varnothing$ 12 mm
25	1520100	LEVEL GAUGE GLASS $\varnothing$ 11x140 mm
26	1201565	LEVEL GAUGE COVER
28	1527043	DRAIN TANK
30	1527044	HOSE-END FITTING FOR DRAIN TANK
32	1786233	O-RING 03087 EPDM
38	1348036	NUT $\varnothing$ 3/8" WRENCH 21x6mm
39	1186399	WASHER FLAT M16
42	1186620	COPPER FLAT GASKET $\varnothing$ 22x17x1.5 mm
47	1720002	EXPANSION VALVE $\varnothing$ 1/4"M-1/4"M
52	1349103	FITTING $\varnothing$ 3/8"M-3/8"M
53	1786227	ASBESTOS FREE FLAT GASKET $\varnothing$ 54x40x1.5 mm
62	1786228	EXEMPT FLAT GASKET $\varnothing$ 61x40x2 mm
73	1186611	O-RING 02025 RED SILICONE
74	1349102	FITTING $\varnothing$ 1/4"M-1/4"M
75	1186676	FILTER HOLDER GASKET $\varnothing$ 72x56x8.5 mm
75	1186741	FILTER HOLDER GASKET $\varnothing$ 72x56x8.5 mm
77	1086509	SHOWER HOLDER DIFFUSER
78	1184010	LOW CYLINDER HEAD SCREW M6x10
79	1081021	SHOWER SCREEN $\varnothing$ 55 mm
81	1018506	NOZZLE HOLDER FITTING FOR SOLENOID VALVE
82	1120335	3-WAY SOLENOID VALVE PARKER 230V 50/60Hz
85	1250333	SPRING FILTER BLOCK $\varnothing$ 1.30 mm ST.STEEL
86	1165026	FILTER HOLDER GAGGIA/SAECO
87	1141005	FILTER HOLDER KNOB M10
88	1184006	LOW CYLINDER HEAD SCREW M4x12
95	1022524	DOUBLE SPOUT $\varnothing$ 3/8"
96	1022503	STRAIGHT SINGLE SPOUT $\varnothing$ 3/8"
97	1022506	DOUBLE SPOUT $\varnothing$ 3/8"
98	1022501	SINGLE SPOUT $\varnothing$ 3/8"
99	1165108	COMPLETE FILTER HOLDER 2 CUPS GAGGIA
102	1165109	COMPLETE FILTER HOLDER 1 CUP GAGGIA
103	1190011	PAPER SEAL $\varnothing$ 72x58x0.8 mm
104	1190002	RUBBER SHIM $\varnothing$ 73x59x1 mm EPDM
105	1160339	BLIND FILTER
106	1160261	1 CUP FILTER 7 gr
107	1160262	2-CUP FILTER 14 GRAMS
108	1160251	1 CUP FILTER 6 g
109	1160252	2-CUP FILTER 12 GRAMS
110	1186523	COFFEE GROUP GASKET 68x68x2 mm



## E90-D90 WATER/STEAM/INLET TAPS

E90-D90



GA6101

Positions without LF code no.: upon request



# GAGGIA



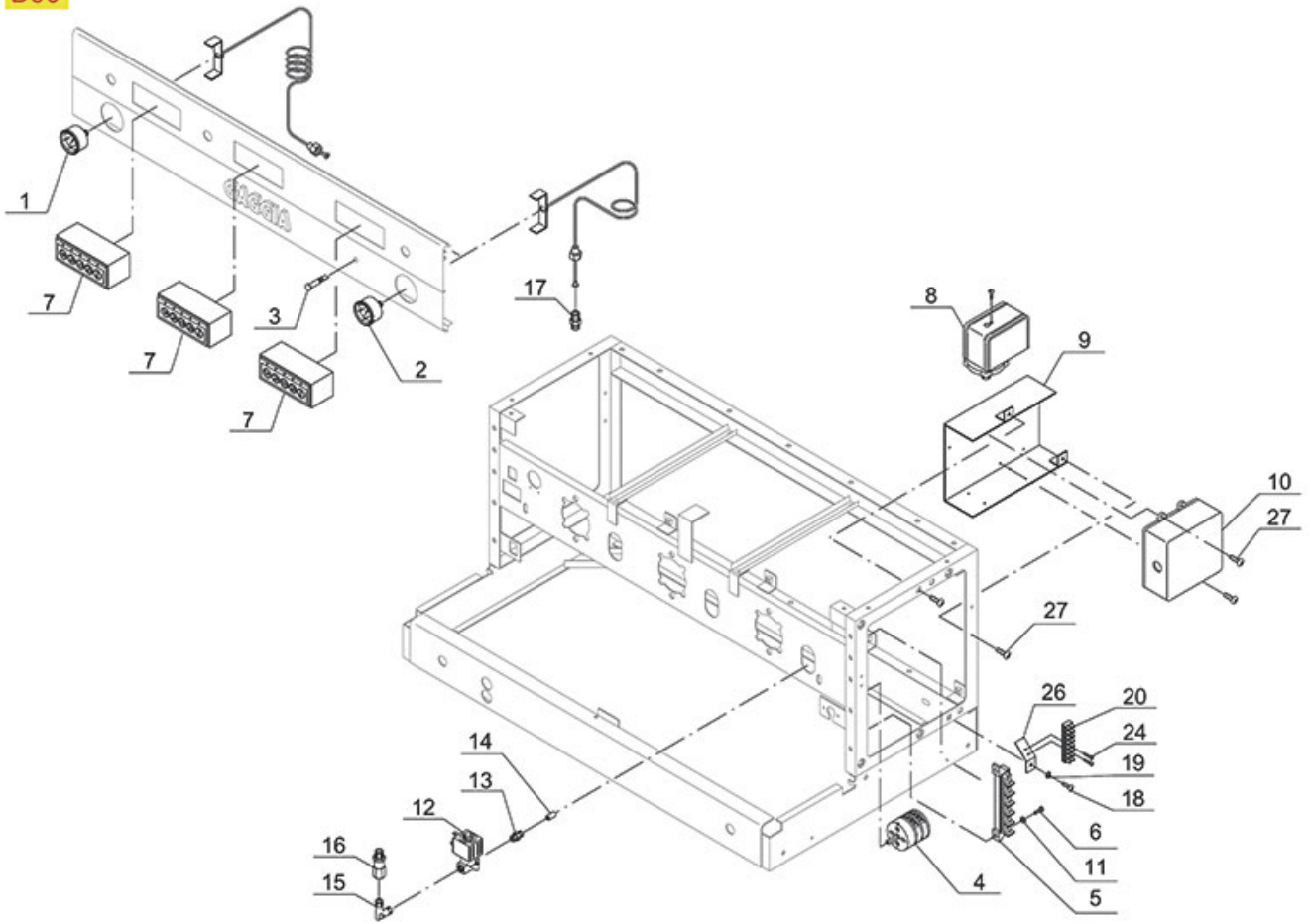
Position	LF code no.	Description
4	1324400	TAP SPINDLE
6	1241176	WATER/STEAM TAP KNOB
6	1241416	STEAM TAP KNOB
7	1348036	NUT $\varnothing$ 3/8" WRENCH 21x6mm
8	1349103	FITTING $\varnothing$ 3/8"M-3/8"M
9	1348483	WATER/STEAM TAP
10	1186514	O-RING 02015 SILICON
10	1186900	O-RING 02015 VITON
12	5038097	TAP SHUTTER CONTROL PIN
13	1324158	WATER/STEAM TAP PIN
14	1186985	FLAT EPDM GASKET $\varnothing$ 15x6x6 mm
17	1186591	O-RING 0128 VITON
20	1250417	SWIVEL SPRING $\varnothing$ 26x14 mm
21	1186714	O-RING 0119 VITON
22	1548003	ARTICULATION FITTING STEAM PIPE
24	1549017	COMPLETE STEAM PIPE $\varnothing$ 8 mm
29	1515008	EXPANSION VALVE $\varnothing$ 1/4"M-1/4"F
30	1241174	STEAM SILK SCREEN PRINTING FOR KNOB
31	1241175	WATER SILK SCREEN PRINTING FOR KNOB
32	1241420	WATER INLET SILK SCREEN PRINTING F. HAND
34	1241494	WATER INLET TAP KNOB
36	1323416	STAINLESS STEEL BALL $\varnothing$ 10 mm
41	1549022	COMPLETE CHROME-PLATED WATER PIPE $\varnothing$ 8 mm
48	1358007	NUT FOR INLET TAP LEVER



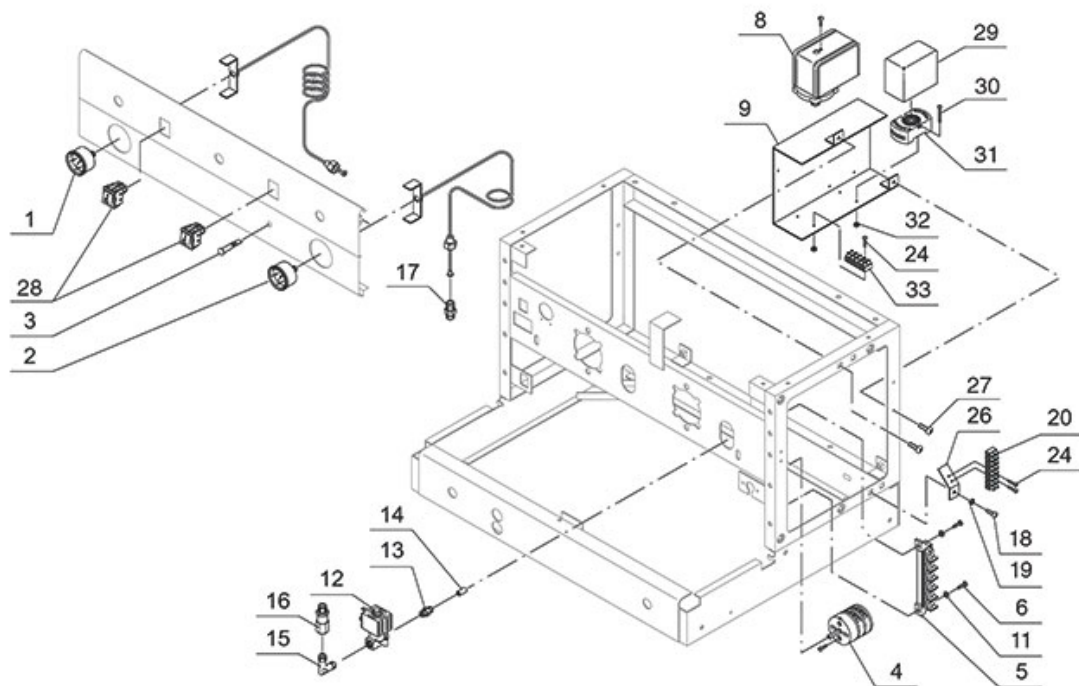


## E90-D90 ELECTRICAL SYSTEM

### D90



### E90





# GAGGIA

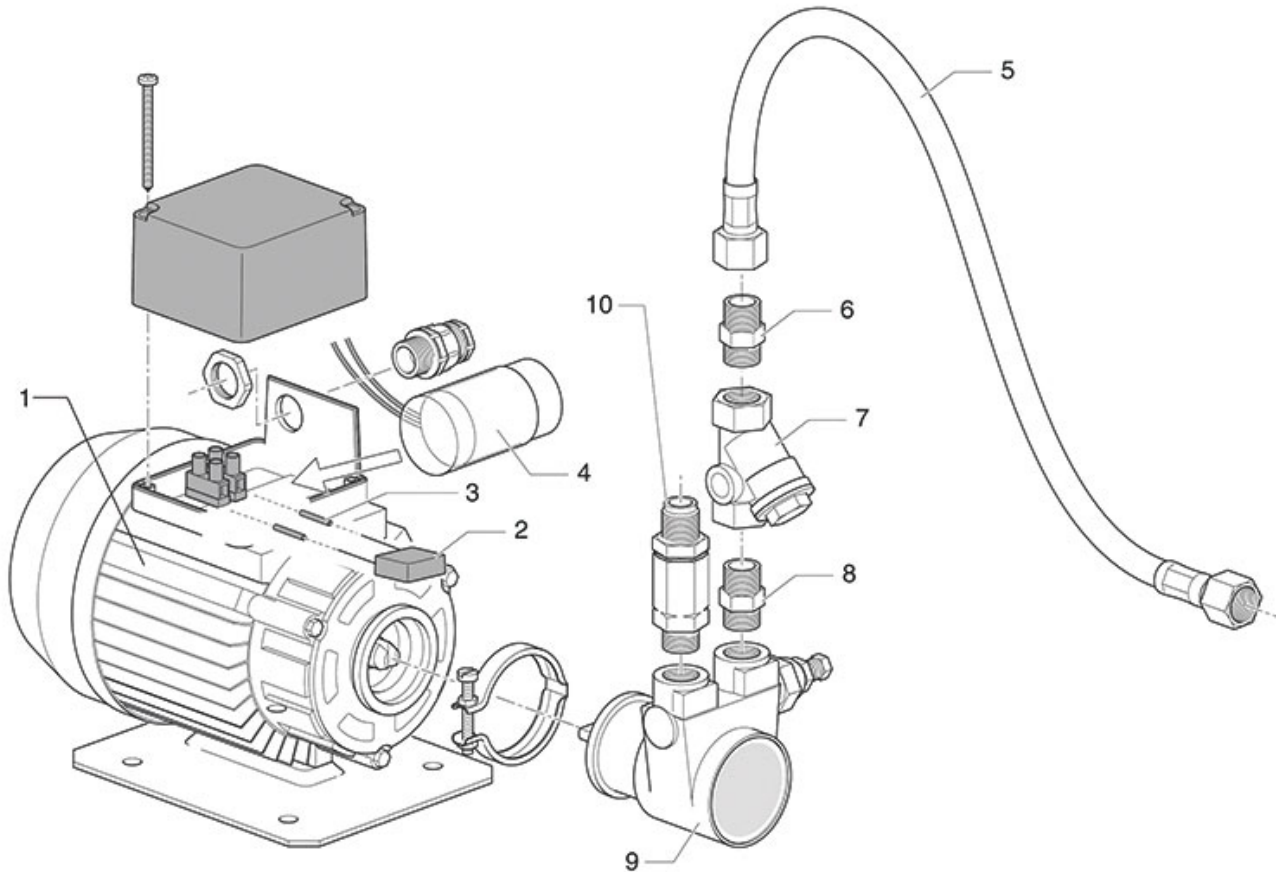



Position	LF code no.	Description
1	1245058	PUMP PRESSURE GAUGE $\varnothing$ 49 mm 0÷15 bar
2	1245059	BOILER PRESSURE GAUGE $\varnothing$ 49 mm 0÷3 bar
4	1319066	SELECTOR SWITCH 0-3 POSITIONS 36A 660V
5	3247009	6-POLE TERMINAL BLOCK FV122/B 40A 600V
7	1319579	PUSH-BUTTON PANEL 5 BUTTONS
8	1320531	PRESSURE SWITCH P302/6 3-POLES 30A
10	1054517	DOSER CONTROL BOX 4 GROUPS 230V
10	1054558	DOSER CONTROL BOX 2-3 GROUPS 230V
12	1120243	2-WAYS SOLEN.VALVE PARKER 230V 50/60Hz
13	1349102	FITTING $\varnothing$ 1/4"M-1/4"M
15	1349710	NICHEL PLATED L-FITTING $\varnothing$ 1/4"M-1/4"M
16	1523035	NON-RETURN VALVE $\varnothing$ 1/4"M-1/4"F
27	5055105	CYLINDER HEAD SCREW M4x10
28	1319527	RED BIPOLAR SWITCH 16A 250V
29	1341304	LEVEL REGULATOR RL30/1E/2C/11 230V



## E90-D90 MOTOR AND PUMP

**E90-D90**



			5m 12x18	<b>100</b>		3/4-PP 100 cm	<b>200</b>		3/8-CP 30 cm	<b>300</b>		3/4-PP 100 cm	<b>400</b>
	3/4 2000 mm		30m	<b>101</b>		3/4-PP 150 cm	<b>201</b>		3/8-CP 50 cm	<b>301</b>		3/4-PP 150 cm	<b>401</b>
			5m	<b>102</b>		3/4-PP 200 cm	<b>202</b>		3/8-CP 80 cm	<b>302</b>		3/4-PP 200 cm	<b>402</b>
			14x20	<b>103</b>		3/8-PP 100 cm	<b>203</b>		3/8-CP 100 cm	<b>303</b>		3/4-PP 250 cm	<b>403</b>
			30m	<b>104</b>		3/8-PP 150 cm	<b>204</b>		3/8-CP 120 cm	<b>304</b>		3/8-PP 37 cm	<b>404</b>
			16x23	<b>105</b>		3/8-PP 200 cm	<b>205</b>		3/8-CP 150 cm	<b>305</b>		3/8-PP 200 cm	<b>405</b>
			5m	<b>106</b>		3/8-CC 50 cm	<b>206</b>		1/8-PP 30 cm	<b>306</b>		3/8-CC 50 cm	<b>406</b>
			18x25	<b>107</b>		3/8-CC 75 cm	<b>207</b>		1/8-PP 60 cm	<b>307</b>		3/8-CC 100 cm	<b>407</b>
			30m	<b>108</b>		3/8-CC 100 cm	<b>208</b>		1/8-CC 37 cm	<b>308</b>		3/8-CC 150 cm	<b>408</b>
			20x27	<b>109</b>		3/8-CC 150 cm	<b>209</b>		1/8-CC 150 cm	<b>309</b>			<b>409</b>

GA6301

Positions without LF code no.: upon request



# GAGGIA

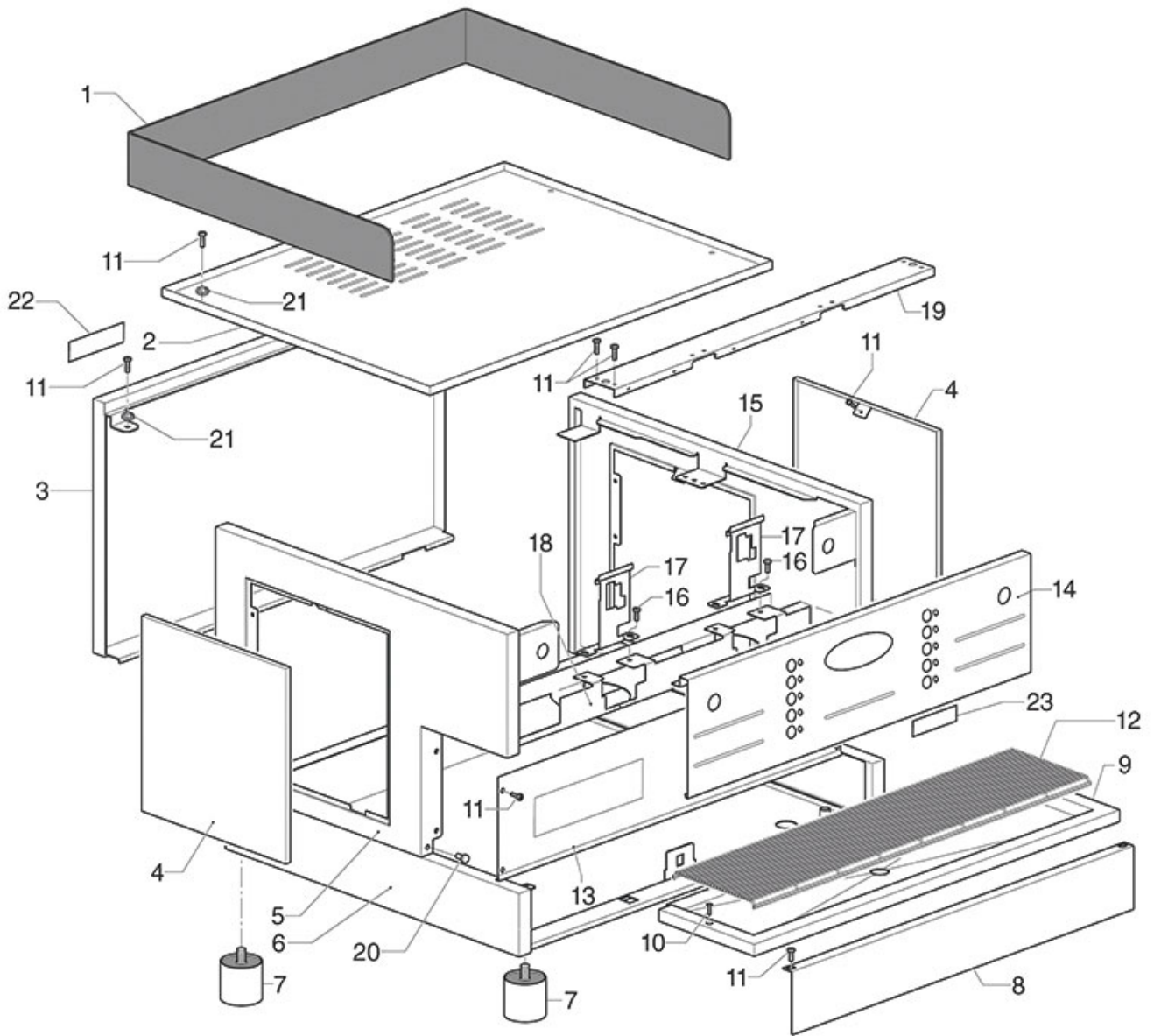


Position	LF code no.	Description
4	3068014	CAPACITOR $\mu$ F 8 450V 50/60Hz
6	1349103	FITTING $\varnothing$ 3/8"M-3/8"M
8	1349103	FITTING $\varnothing$ 3/8"M-3/8"M
9	1330001	ROTARY VANE PUMP ROTOFLOW $\varnothing$ 3/8" NPT
9	1330012	ROTARY VANE PUMP PROCON $\varnothing$ 3/8" NPT
10	1523701	NON-RETURN VALVE $\varnothing$ 3/8"M-3/8"M
50	1449104	DRAIN ELBOW 3/4"
51	1449876	DRAIN PIPE $\varnothing$ 3/4"F 1500 mm
100	1449670	DRAIN PIPE ELISPIR $\varnothing$ 12x18 mm - 5 m
101	1449270	DRAIN PIPE ELISPIR $\varnothing$ 12x18 mm - 30 m
102	1449671	DRAIN PIPE ELISPIR $\varnothing$ 14x20 mm - 5 m
103	1449271	DRAIN PIPE ELISPIR $\varnothing$ 14x20 mm - 30 m
104	1449672	DRAIN PIPE ELISPIR $\varnothing$ 16x23 mm - 5 m
105	1449272	DRAIN PIPE ELISPIR $\varnothing$ 16x23 mm - 30 m
106	1449673	DRAIN PIPE ELISPIR $\varnothing$ 18x25 mm - 5 m
107	1449273	DRAIN PIPE ELISPIR $\varnothing$ 18x25 mm - 30 m
108	1449674	DRAIN PIPE ELISPIR $\varnothing$ 20x27 mm - 5 m
109	1449274	DRAIN PIPE ELISPIR $\varnothing$ 20x27 mm - 30 m
200	3449036	FLEX HOSE $\varnothing$ 3/4" Fp x Fp 1000 mm
201	3449032	FLEX HOSE $\varnothing$ 3/4" Fp x Fp 1500 mm
202	3449033	FLEX HOSE $\varnothing$ 3/4" Fp x Fp 2000 mm
203	1449724	FLEX HOSE $\varnothing$ 3/8" Fp x Fp 1000 mm
204	1449726	FLEX HOSE $\varnothing$ 3/8" Fp x Fp 1500 mm
205	1449089	FLEX HOSE $\varnothing$ 3/8" Fp x Fp 2000 mm
206	1449722	FLEX HOSE $\varnothing$ 3/8" Fc x Fc 500 mm
207	1449705	FLEX HOSE $\varnothing$ 3/8" Fc x Fc 750 mm
208	1449723	FLEX HOSE $\varnothing$ 3/8" Fc x Fc 1000 mm
209	1449725	FLEX HOSE $\varnothing$ 3/8" Fc x Fc 1500 mm
300	1449710	FLEX HOSE $\varnothing$ 3/8" Fp x Fc 300 mm
301	1449711	FLEX HOSE $\varnothing$ 3/8" Fp x Fc 500 mm
302	1449712	FLEX HOSE $\varnothing$ 3/8" Fp x Fc 800 mm
303	1449713	FLEX HOSE $\varnothing$ 3/8" Fp x Fc 1000 mm
304	1449714	FLEX HOSE $\varnothing$ 3/8" Fp x Fc 1200 mm
305	1449715	FLEX HOSE $\varnothing$ 3/8" Fp x Fc 1500 mm
306	1449708	FLEX HOSE $\varnothing$ 1/8" Fp x Fp 300 mm
307	1449709	FLEX HOSE $\varnothing$ 1/8" Fp x Fp 600 mm
308	1449706	FLEX HOSE $\varnothing$ 1/8" Fc x Fc 370 mm
309	1449707	FLEX HOSE $\varnothing$ 1/8" Fc x Fc 1500 mm
400	3449037	FLEX HOSE $\varnothing$ 3/4" Fp x CFp 1000 mm
401	3449034	FLEX HOSE $\varnothing$ 3/4" Fp x CFp 1500 mm
402	3449035	FLEX HOSE $\varnothing$ 3/4" Fp x CFp 2000 mm
403	3449038	FLEX HOSE $\varnothing$ 3/4" Fp x CFp 2500 mm
404	1449718	FLEX HOSE $\varnothing$ 3/8" Fp x CFp 370 mm
405	1449703	FLEX HOSE $\varnothing$ 3/8" Fp x CFp 2000 mm
406	1449732	FLEX HOSE $\varnothing$ 3/8" Fc x CFc 500 mm
407	1449734	FLEX HOSE $\varnothing$ 3/8" Fc x CFc 1000 mm
408	1449736	FLEX HOSE $\varnothing$ 3/8" Fc x CFc 1500 mm



## LC/D BODY PARTS

LC/D





# GAGGIA



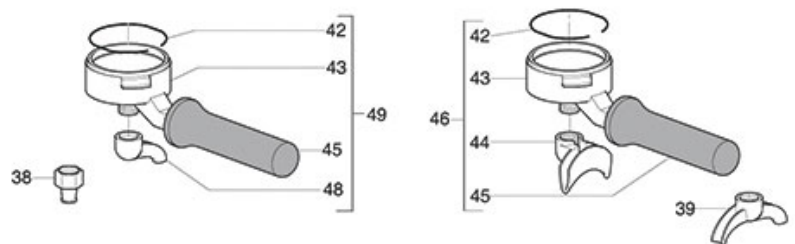
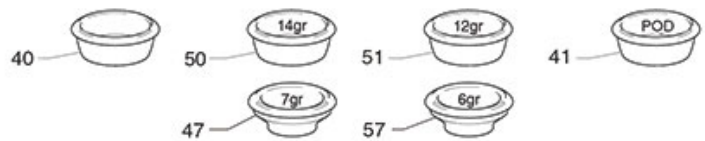
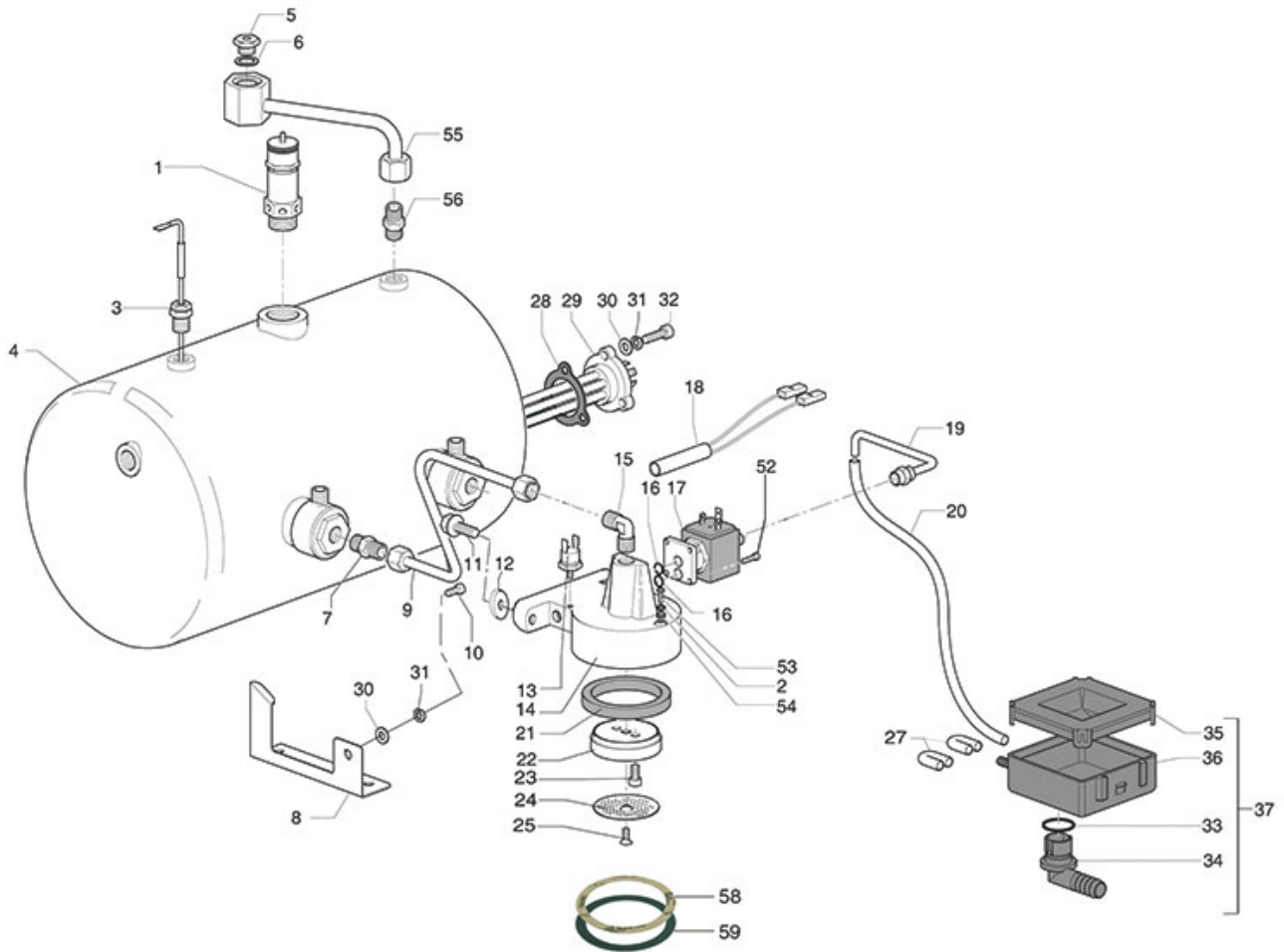
Position	LF code no.	Description
11	1528100	CYLINDER HEAD SCREW M4x12
100	3080011	KNOCKBOX
200	3080001	KNOCKBOX
300	3080002	S/STEEL DRAWER FOR COFFEE GROUNDS





## LC/D GROUP/BOILER

LC/D





# GAGGIA

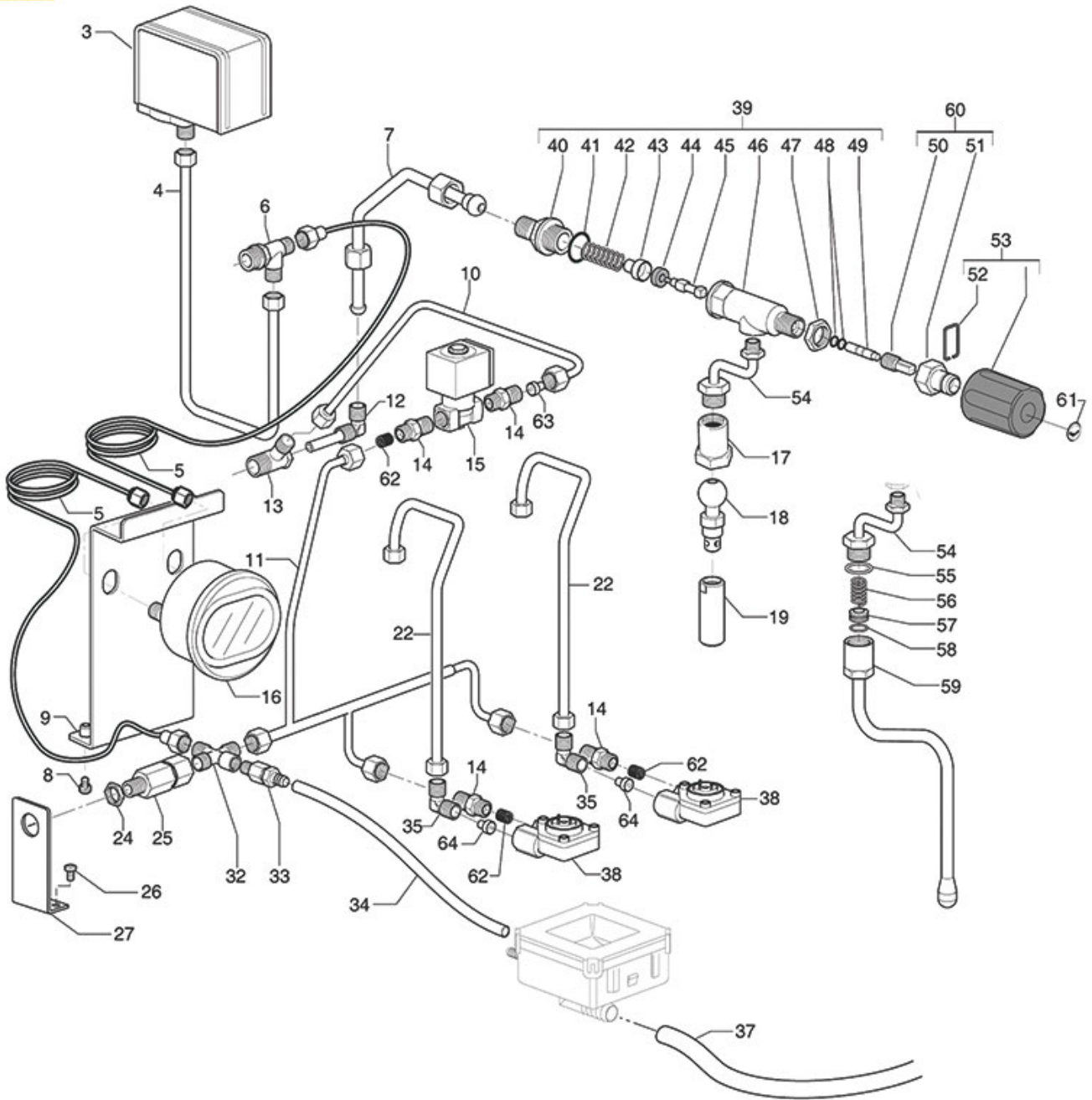


Position	LF code no.	Description
1	1523572	BOILER VALVE $\varnothing$ 3/8"M - 1,8 bar CE/PED
3	1341016	LEVEL PROBE $\varnothing$ 1/4"M-123 mm
5	1523537	BOILER VALVE $\varnothing$ 1/4"M
6	1186404	PTFE FLAT GASKET $\varnothing$ 18x13x2 mm
10	1528622	HEXAGON HEAD SCREW M8x16
11	1528622	HEXAGON HEAD SCREW M8x16
13	1443011	CONTACT THERMOSTAT 100°C M4
15	1349710	NICHEL PLATED L-FITTING $\varnothing$ 1/4"M-1/4"M
16	1186611	O-RING 02025 RED SILICONE
17	1120335	3-WAY SOLENOID VALVE PARKER 230V 50/60Hz
18	1755826	CARTRIDGE HEATING ELEMENT 80W 240V
20	1449283	SILICONE HOSE $\varnothing$ 5x10 SHORE 60 - 100 m
20	1449683	SILICONE HOSE $\varnothing$ 5x10 SHORE 60 - 10 m
21	1186676	FILTER HOLDER GASKET $\varnothing$ 72x56x8.5 mm
22	1086509	SHOWER HOLDER DIFFUSER
23	1184010	LOW CYLINDER HEAD SCREW M6x10
24	1081021	SHOWER SCREEN $\varnothing$ 55 mm
27	1449283	SILICONE HOSE $\varnothing$ 5x10 SHORE 60 - 100 m
27	1449683	SILICONE HOSE $\varnothing$ 5x10 SHORE 60 - 10 m
28	1186584	TRIANGULAR GASKET FOR HEATING ELEMENT
28	1186635	TRIANGULAR GASKET FOR HEATING ELEMENT
28	1786006	TRIANGULAR GASKET FOR HEATING ELEMENT
29	1755056	HEATING ELEMENT 4000/4760W 220/240V
30	1528008	WASHER FLAT M8
32	1528084	CYLINDER HEAD SCREW M8x25
33	1786233	O-RING 03087 EPDM
34	1527044	HOSE-END FITTING FOR DRAIN TANK
37	1527043	DRAIN TANK
38	1022503	STRAIGHT SINGLE SPOUT $\varnothing$ 3/8"
39	1022524	DOUBLE SPOUT $\varnothing$ 3/8"
40	1160339	BLIND FILTER
42	1250333	SPRING FILTER BLOCK $\varnothing$ 1.30 mm ST.STEEL
43	1165026	FILTER HOLDER GAGGIA/SAECO
44	1022506	DOUBLE SPOUT $\varnothing$ 3/8"
45	1141005	FILTER HOLDER KNOB M10
46	1165108	COMPLETE FILTER HOLDER 2 CUPS GAGGIA
47	1160261	1 CUP FILTER 7 gr
48	1022501	SINGLE SPOUT $\varnothing$ 3/8"
49	1165109	COMPLETE FILTER HOLDER 1 CUP GAGGIA
50	1160262	2-CUP FILTER 14 GRAMS
51	1160252	2-CUP FILTER 12 GRAMS
52	1184006	LOW CYLINDER HEAD SCREW M4x12
53	1528100	CYLINDER HEAD SCREW M4x12
57	1160251	1 CUP FILTER 6 g
58	1190001	PAPER SHIM $\varnothing$ 73x59x0.8 mm
59	1190002	RUBBER SHIM $\varnothing$ 73x59x1 mm EPDM
100	1069001	PLASTIC MEASURING SPOON 20 ml
101	1069002	STAINLESS STEEL MEASURING SPOON 20 ml
102	1384003	BLACK SHOWER CLEANING BRUSH
103	1384002	BRUSH FOR MAINTENANCE
104	1384001	BRUSH FOR COFFEE SHOWER
105	1385002	NYLON COFFEE TAMPER $\varnothing$ 50/57 mm
106	1385042	POLISHED ALUMINUM TAMPER $\varnothing$ 58 mm
106	1385053	ANODISED ALUMINUM TAMPER $\varnothing$ 58 mm
107	1385600	DYNAMOMETRIC MANUAL COFFEE TAMPER $\varnothing$ 57mm



## LC/D WATER/STEAM TAPS

**LCD**



0+100°C	---	<b>100</b>
0+100°C	---	<b>101</b>
	---	<b>102</b>
	0,60L 6 cups	<b>103</b>
	0,70L 9 cups	<b>104</b>
	1,10L 12 cups	<b>105</b>
	---	<b>106</b>

INOX 18/10

	0,20L 2 cups	<b>200</b>
	0,30L 3 cups	<b>201</b>
	0,45L 4 cups	<b>202</b>
	0,60L 6 cups	<b>203</b>
	0,70L 9 cups	<b>204</b>
	1,10L 12 cups	<b>205</b>
	---	<b>206</b>

INOX 18/10

	---	<b>300</b>
	---	<b>301</b>
	---	<b>302</b>
	0,60L 6 cups	<b>303</b>
	1,00L 10 cups	<b>304</b>
	1,50L 12 cups	<b>305</b>
	2,00L 15 cups	<b>306</b>

INOX 18/10

	0,25L 2 cups	<b>400</b>
	0,35L 3 cups	<b>401</b>
	0,50L 4 cups	<b>402</b>
	0,75L 6 cups	<b>403</b>
	1,00L 10 cups	<b>404</b>
	1,50L 13 cups	<b>405</b>
	---	<b>406</b>

INOX 18/10



# GAGGIA

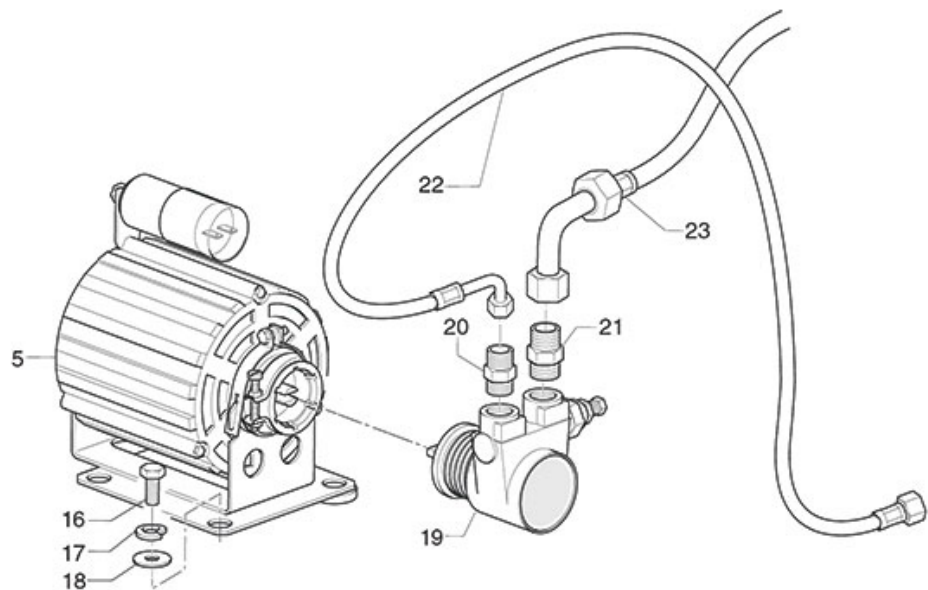
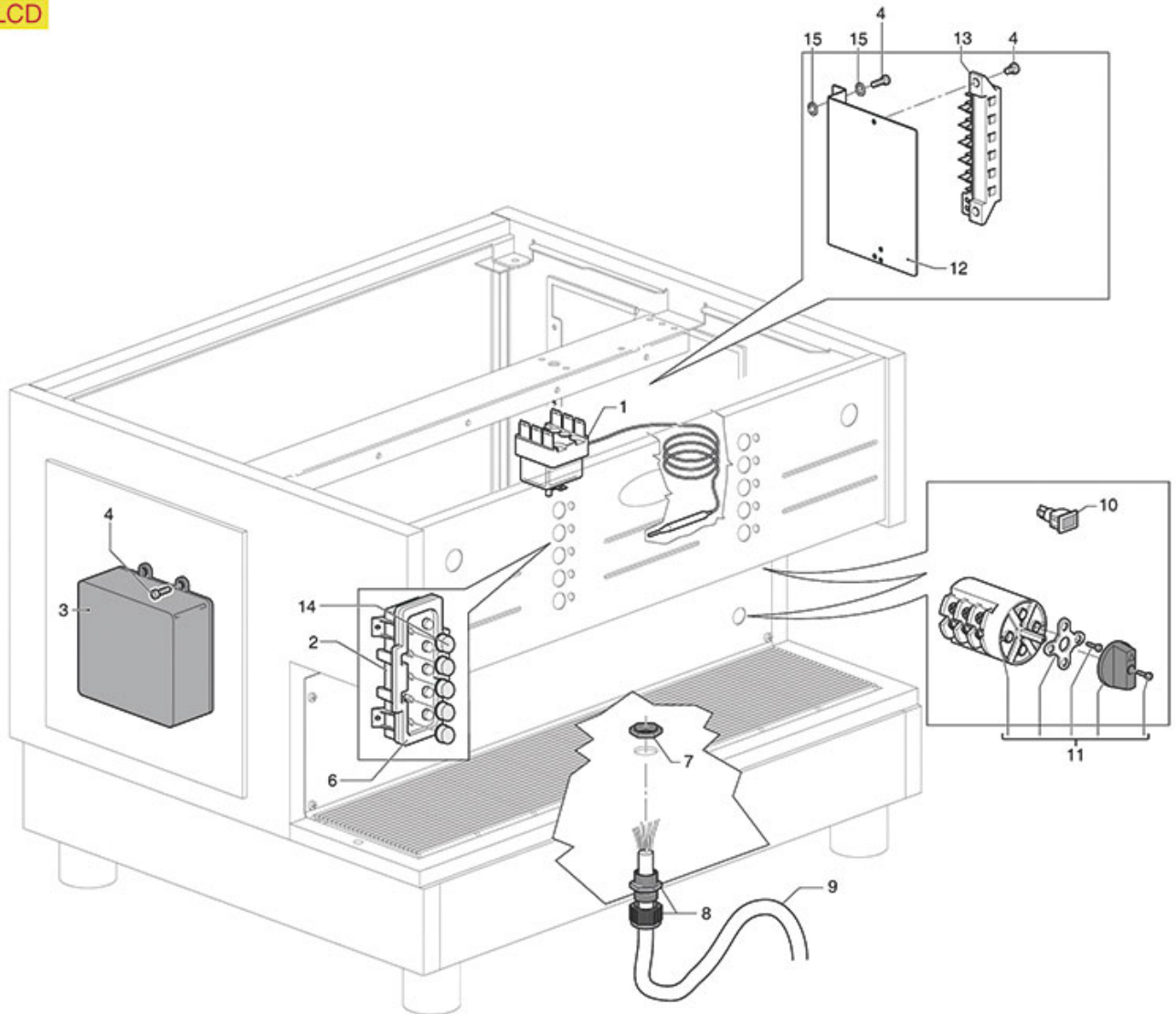


Position	LF code no.	Description
3	1320541	PRESSURE SWITCH PARKER
8	1528100	CYLINDER HEAD SCREW M4x12
15	1120243	2-WAYS SOLEN.VALVE PARKER 230V 50/60Hz
16	1245801	BOILER-PUMP PRESSURE GAUGE $\varnothing$ 63 mm
24	1755006	NUT $\varnothing$ 1/4"
25	1523514	NON-RETURN VALVE $\varnothing$ 1/4"F-1/4"M
33	1523432	EXPANSION VALVE $\varnothing$ 1/8"M 11 Bar
39	1348483	WATER/STEAM TAP
41	1186591	O-RING 0128 VITON
44	1186985	FLAT EPDM GASKET $\varnothing$ 15x6x6 mm
45	1324158	WATER/STEAM TAP PIN
47	1348036	NUT $\varnothing$ 3/8" WRENCH 21x6mm
48	1186900	O-RING 02015 VITON
49	5038097	TAP SHUTTER CONTROL PIN
50	1324089	STEAM TAP SPINDLE
51	1439026	STEAM TAP EXTENSION
52	1250206	HANDLE SPRING
53	1241176	WATER/STEAM TAP KNOB
55	1786232	O-RING 02062 BROWN VITON
56	1250534	SPRING $\varnothing$ 12x22 mm
57	1786230	PTFE CONICAL SEAL $\varnothing$ 14.5x6.5x9 mm
58	1186709	O-RING 0115 VITON
59	1549021	PIPE STEAM COMPLETE $\varnothing$ 10 mm
60	1324400	TAP SPINDLE
61	1241417	STEAM SILK SCREEN PRINT. F. HANDLE
90	1394553	ANALOGICAL THERMOMETER $\varnothing$ 25 mm
91	1394554	ANALOG THERMOMETER $\varnothing$ 45 mm
103	1024051	SERVING COFFEE POT PRATIKA 0.60 L
104	1024052	SERVING COFFEE POT PRATIKA 0.70 L
105	1024053	SERVING COFFEE POT PRATIKA 1.10 L
200	1024001	MILK PITCHER PRATIKA 0.20 L
201	1024002	MILK PITCHER PRATIKA 0.30 L
202	1024003	MILK PITCHER PRATIKA 0.45 L
203	1024004	MILK PITCHER PRATIKA 0.60 L
204	1024005	MILK PITCHER PRATIKA 0.70 L
205	1024006	MILK PITCHER PRATIKA 1.10 L
302	1224901	MILK JUG 0.35 L
303	1224902	MILK JUG 0.60 L
304	1224903	MILK JUG 1 L
305	1224904	MILK JUG 1.5 L
400	1224014	MILK PITCHER EUROPA WITH SPOUT 0.25 L
401	1224015	MILK PITCHER EUROPA WITH SPOUT 0.35 L
402	1224010	MILK PITCHER EUROPA WITH SPOUT 0.50 L
403	1224011	MILK PITCHER EUROPA WITH SPOUT 0.75 L
404	1224012	MILK PITCHER EUROPA WITH SPOUT 1 L
405	1224013	MILK PITCHER EUROPA WITH SPOUT 1.5 L



## LC/D ELECTRICAL SYSTEM AND PUMP

LCD



GA7301



# GAGGIA



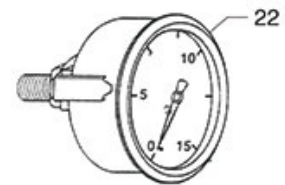
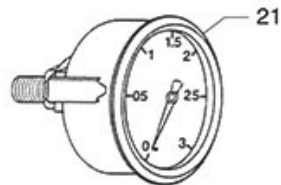
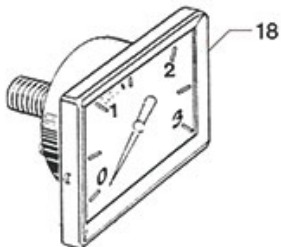
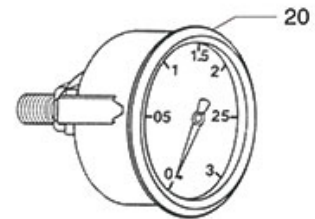
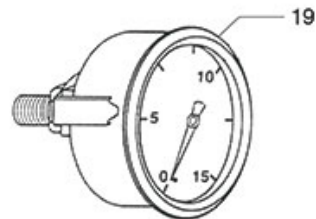
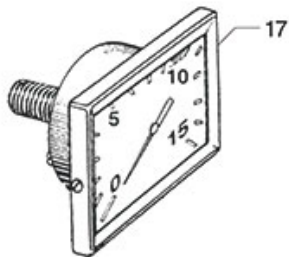
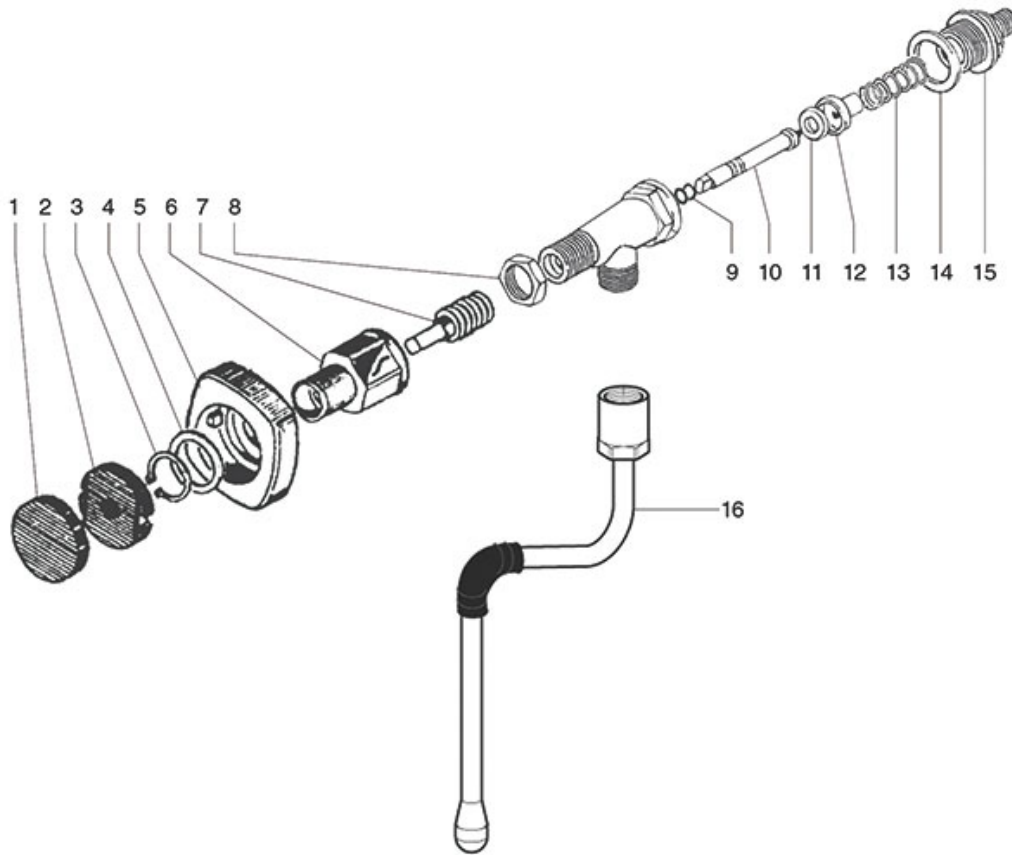
Position	LF code no.	Description
1	3444442	THREE-PHASE THERMOSTAT 170°C
3	5055629	DOSING CONTROL BOX 2 GROUPS 230V
4	1528100	CYLINDER HEAD SCREW M4x12
10	1221057	GREEN INDICATOR LIGHT 250 V
13	3247009	6-POLE TERMINAL BLOCK FV122/B 40A 600V
19	1330001	ROTARY VANE PUMP ROTOFLOW $\varnothing$ 3/8" NPT
20	1349112	FITTING $\varnothing$ 1/4"M-3/8"M
21	1349103	FITTING $\varnothing$ 3/8"M-3/8"M





## TELL MISCELLANEOUS

TELL





# GAGGIA



Position	LF code no.	Description
3	1348320	CIRCLIP E-16
4	1186620	COPPER FLAT GASKET $\varnothing$ 22x17x1.5 mm
8	1348036	NUT $\varnothing$ 3/8" WRENCH 21x6mm
9	1186514	O-RING 02015 SILICON
11	1186369	EPDM FLAT GASKET $\varnothing$ 15x5.5x4 mm
13	1250181	SPRING $\varnothing$ 14.5x28 mm STEAM TAP
16	1449846	STEAM PIPE COMPLETE
17	1245576	PUMP PRESSURE GAUGE $\varnothing$ 52 mm 0÷15 bar
18	1245575	BOILER PRESSURE GAUGE $\varnothing$ 52 mm 0÷3 bar
19	1245572	PUMP PRESSURE GAUGE $\varnothing$ 52 mm 0÷16 bar
20	1245571	BOILER PRESSURE GAUGE $\varnothing$ 52 mm 0÷3 bar
21	1245573	BOILER PRESSURE GAUGE $\varnothing$ 49 mm 0÷3 bar
22	1245574	PUMP PRESSURE GAUGE $\varnothing$ 49 mm 0÷15 bar
23	1186191	TRIANGULAR GASKET FOR HEATING ELEMENT
24	1755120	HEATING ELEMENT 1250W 220V





# GAGGIA



Photo	LF Code	Connection ( $\varnothing$ )
5	1022532	M18
6	1022004	3/8

Photo	LF Code	Dimensions	Suitable for	Notes
1	1786047	85x85x2 mm - $\varnothing$ 55 mm	SPAZIALE	---
2	1786046	85x85x2 mm - $\varnothing$ 55 mm	SPAZIALE	---
3	3186006	$\varnothing$ 95x56x3 mm	CIMBALI	---
4	1186628	$\varnothing$ 76x40x2 mm	BEZZERA	---
5	1786228	$\varnothing$ 61x40x2 mm	GAGGIA	---
6	1186191	66x66x2 mm - $\varnothing$ 30 mm	GAGGIA	FOR HEATING ELEMENTS TELL - PER RESISTENZE TELL

Photo	LF Code	Dimensions	Material	For heating elements
1	3060608	OR 03050	EPDM	1/4"
1	3186175	$\varnothing$ 51x41x3.5 mm	EPDM	1"1/4
2	1186623	$\varnothing$ 53x43x3 mm	PTFE	1"1/4
3	1186633	$\varnothing$ 53x42x3 mm	CARBO	1"1/4
4	3186010	$\varnothing$ 54x42x2 mm	ESENTE	1"1/4
2	1186993	$\varnothing$ 42x33x3 mm	PTFE	1"
3	1186627	$\varnothing$ 41x33x3 mm	CARBO	1"
2	1186179	$\varnothing$ 57x43x3 mm	PTFE	TYPE FAEMA - TIPO FAEMA
3	1186606	$\varnothing$ 57x43x3 mm	CARBO	TYPE FAEMA - TIPO FAEMA
2	1186608	$\varnothing$ 50x40x2 mm	PTFE	ASTORIA/CMA - GAGGIA - SAN MARCO
3	1786215	$\varnothing$ 50x40x2 mm	CARBO	ASTORIA/CMA - GAGGIA - SAN MARCO
4	1186156	$\varnothing$ 50x40x2 mm	ESENTE	ASTORIA/CMA - GAGGIA - SAN MARCO
1	1186152	OR 03287	EPDM	BEZZERA BZ02 - BZ07 - BZ10 - BZ99
1	3186013	OR 06187	EPDM	CASADIO VENTI
3	1186607	$\varnothing$ 57.8x50x3 mm	CARBO	CASADIO - CIMBALI
2	1186609	$\varnothing$ 58x51x2 mm	PTFE	CIMBALI - CASADIO
2	1186155	$\varnothing$ 76x68.4x3 mm	PTFE	CONTI
2	1186979	$\varnothing$ 52x40x2 mm	PTFE	EXPOBAR - MARZOCCO - QUICK MILL
1	1186641	OR 0176	EPDM	GAGGIA G105 - G106 - PAVONI EUROPICCOLA
1	1186798	OR 0146	VITON	GAGGIA GE ONE - GD ONE
2	1186409	$\varnothing$ 68x55x3 mm	PTFE	NUOVA SIMONELLI - VICTORIA ARDUINO
3	1186638	$\varnothing$ 67x55x3 mm	CARBO	NUOVA SIMONELLI - VICTORIA ARDUINO
2	1186455	$\varnothing$ 65x47x1.5 mm	PTFE	RANCILIO - RANCILIO
3	3186011	$\varnothing$ 63x48x2 mm	CARBO	RANCILIO - RANCILIO
1	3186290	OR 04187	EPDM	RENEKA
3	1186637	$\varnothing$ 56x47x3 mm	CARBO	SAN MARCO
2	1186516	$\varnothing$ 26x17x2 mm	PTFE	SPAZIALE S1
1	1186705	OR 03168	VITON	SPAZIALE S1
2	1186639	$\varnothing$ 62x51x2 mm	PTFE	SPAZIALE
1	1186715	OR 0159	VITON	SPAZIALE
4	1186636	$\varnothing$ 62x51x2 mm	ESENTE	SPAZIALE
1	1186241	OR 04262	VITON	UNIC

Photo	LF Code	Dimensions (mm)	Suitable for
1	1520007	$\varnothing$ 9x132	GAGGIA S453101 - PAVONI 453101
1	1520005	$\varnothing$ 9x147	ELEKTRA 00141035
1	1520562	$\varnothing$ 11x108	QUALITY ESPRESSO 08181703
1	1520541	$\varnothing$ 11x119	MAIRALI





# GAGGIA



Photo	LF Code	Dimensions (mm)	Suitable for
2	1520004	∅ 11x55	GAGGIA LV0536
2	1201053	∅ 11x95	GAGGIA LV0541
2	1201060	∅ 11x140	FRACINO FC181
2	1520580	∅ 11x145	CONTI
2	1520006	∅ 11x154	ASTORIA/CMA 21300001 - SCALA C-0260
2	5025546	∅ 11x160	GAGGIA LV0536
2	1520511	∅ 11x170	ASTORIA/CMA 56001 - FIORENZATO A1400008 - WEGA WY56001
2	1520400	∅ 12x106	GAGGIA WGA4001060000 - PAVONI 453110
2	1520556	∅ 12x115	FAEMA - PAVONI 453100
2	1520516	∅ 12x135	BEZZERA 5430504 - CIMBALI - NUOVA SIMONELLI 09000010
2	1520542	∅ 13x114	MARCFI-ANCAS
2	1520008	∅ 13x125	MARCFI-ANCAS BL-5131
2	1201024	∅ 13x138	AZKOYEN
2	1520579	∅ 22x55	UNIC
2	1520566	∅ 30x110	SAN MARCO 104002
3	1201054	∅ 11x140	BIANCHI 05256515
4	1520522	∅ 11x135	BRASILIA 00787.0.00.02
4	1520100	∅ 11x140	GAGGIA LV0524 - GRIMAC GR270 - SANREMO 10402100
4	1520546	∅ 11x140	BFC/ROYAL 4580010 - VIBIEMME MATECVELI140
5	1520571	∅ 11x150	SPAZIALE 00268
5	1520572	∅ 11x150	SPAZIALE 00267
5	1520534	∅ 12x106	FAEMA 4861117546
5	1201058	∅ 11x135	FIAMMA 5.0.000.1017
6	1449877	∅ 10x107	RANCILIO 38228066 - PROMAC 38228066

Photo	LF Code	Dimensions	Material	Suitable for
1	1786230	∅ 14.5x6.5x9 mm	PTFE	GAGGIA WGARB0902

Photo	LF Code	Watt - Volt	Suitable for	For machine model
1	5038339	570/680W 110/120V	GAGGIA	BABY - CAREZZA - CLASSIC - EVOLUTION - NEWBABY
2	5025969	1100/437W 230V	GAGGIA	SYNCRONYCOMPACT - TITANIUMSILVER





## COFFEE GROUPS AND SPARE PARTS GAGGIA



Photo	LF Code	Suitable for	For machine model
1	5029493	GAGGIA S371133	G105 - G106
2	5501139	GAGGIA S371132	G105 - G106
3	1321002	GAGGIA S314044	G105 - G106
4	1192015	GAGGIA S3140453	G105 - G106
5	5032977	GAGGIA S3954004	G105 - G106
6	5501148	GAGGIA S312382	G105 - G106

## UNIVERSAL SPOUTS



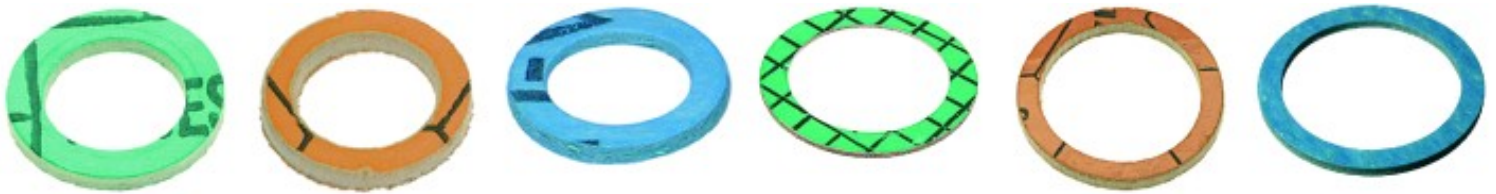
Photo	LF Code	Connection ( $\varnothing$ )
1	1022501	3/8
2	1022504	3/8
3	1022503	3/8
4	5031337	3/8

## UNIVERSAL SPOUTS



Photo	LF Code	Connection ( $\varnothing$ )
1	1022502	3/8
2	1022521	3/8
3	1022523	3/8
4	1022522	3/8
5	1022551	3/8

## ASBESTOS FREE FLAT GASKETS



LF Code	Dimensions	Notes
1186042	$\varnothing$ 9x5x1 mm	---
3186341	$\varnothing$ 9x6x1 mm	---
3786349	$\varnothing$ 14x9x2 mm	---
1186041	$\varnothing$ 14.5x10x2 mm	---
1186148	$\varnothing$ 15x7x2 mm	---
3186172	$\varnothing$ 15x9x2 mm	---
1186112	$\varnothing$ 15x10x1 mm	---
1186437	$\varnothing$ 16x12x2 mm	---
1186039	$\varnothing$ 17x13x2 mm	---
1186784	$\varnothing$ 17.5x13x2 mm	---



# GAGGIA



LF Code	Dimensions	Notes
3786543	∅ 18x12x1 mm	---
3786562	∅ 18x12x2 mm	---
3786350	∅ 18x12x2 mm	---
3186237	∅ 19x11x2 mm	---
1186394	∅ 22x17x2 mm	---
1186149	∅ 22x18x2 mm	---
1186368	∅ 23.5x20x1 mm	---
3786351	∅ 24x16x2 mm	---
3186575	∅ 25x12x2 mm	---
1186340	∅ 26x20x2 mm	---
1186183	∅ 29x16.5x2 mm	---
1186136	∅ 29x22x2 mm	---
3186138	∅ 30x21x2 mm	---
1186124	∅ 30x24x2 mm	---
3186005	∅ 32x26x3 mm	---
1186141	∅ 34x26.5x2 mm	---
1186757	∅ 36x30x2 mm	---
3186009	∅ 45x33x2 mm	---
1186125	∅ 50x38x4 mm	---
1186156	∅ 50x40x2 mm	FOR HEATING ELEMENTS BOOSTED - PER RESISTENZE BOOSTED
1786227	∅ 54x40x1.5 mm	---
3186010	∅ 54x42x2 mm	FOR HEATING ELEMENTS ∅ 1"1/4 - PER RESISTENZE ∅ 1"1/4
3786374	∅ 57x45x1.5 mm	---
3186242	∅ 61x46x2 mm	---
1186636	∅ 62x51x2 mm	FOR HEATING ELEMENTS - PER RESISTENZE
3186012	∅ 80x60x2 mm	---
3786471	∅ 90x77x2 mm	---

## BALL VALVES



Photo	LF Code	Connections	Suitable for	For machine model
1	3526706	∅ 1/8"FF	UNIVERSAL	---
1	3526698	∅ 1/4"FF	BEZZERA 7451501	BZ35 - BZ40 - B2000 - B2013 - B3000 - B4000 - B6000
1	3526698	∅ 1/4"FF	SPAZIALE 08103	S5 COMPACT - S8 COMPACT - S9 COMPACT
1	3526702	∅ 3/8"FF	UNIVERSAL	---
1	3526703	∅ 1/2"FF	UNIVERSAL	---
1	3526707	∅ 3/4"FF	UNIVERSAL	---
2	3526697	∅ 1/8"MF	SAN MARCO 202241	NEW 105 - 100 - 105 - 85 - 95
2	3526699	∅ 1/4"MF	MANY BRANDS - MOLTI MARCHI	SEVERAL APPLICATIONS - MOLTE APPLICAZIONI
2	3526244	∅ 1/4"M-1/8"F	SAN MARCO 202244	95 - 105
2	3526704	∅ 3/8"MF	MARZOCCO L164	FB70 - FB80 - GB5 - GS3 - LINEA - MISTRAL
2	3526704	∅ 3/8"MF	NUOVA SIMONELLI 09000016	APPIA - AURELIA - PREMIER
2	3526704	∅ 3/8"MF	VICTORIA ARDUINO 09000016	ADONIS - ATHENA - ATHENA LEVA
2	3526705	∅ 1/2"MF	UNIVERSAL	---
3	1525002	∅ 1/4"M-1/4"F	ASTORIA/CMA 20227003	PLUS4YOU
3	1525002	∅ 1/4"M-1/4"F	WEGA WY20227003	CONCEPT

## BOILER GASKETS GAGGIA



Photo	LF Code	Dimensions	Material	Suitable for	For machine model
1	5501123	∅ 108x80x2 mm	CARBO	GAGGIA S362017	G105 - G106
2	1186296	∅ 220x168x2 mm - 10 HOLES	ESENTE	GAGGIA 4027014000	DECO - D90 - E90
3	1186483	∅ 93x80x2 mm	CARBO	GAGGIA S362019	G105 - G106

## BOILER SAFETY VALVES



Photo	LF Code	Technical notes	Suitable for
1	1515100	∅ 3/8" M 1.8 bar CE-PED	ALL BRANDS - TUTTE LE MARCHE
1	1515120	∅ 3/8" M 1.9 bar CE-PED	ALL BRANDS - TUTTE LE MARCHE
2	1515110	∅ 1/2" M 1.8 bar CE-PED	ALL BRANDS - TUTTE LE MARCHE
2	1523022	∅ 1/2" M 1.5 bar CE-PED	SPAZIALE

## BOILER SAFETY VALVES



Photo	LF Code	Technical notes	Suitable for
1	1523543	∅ M18x1.5 1.8 bar	SAN MARCO OLD - VERSIONI VECCHIE
1	1523545	∅ M19x1.5 1.8 bar	GAGGIA OLD - VERSIONI VECCHIE
1	1523544	∅ M22x1.5 1.8 bar	PAVONI OLD - VERSIONI VECCHIE
2	1515003	∅ 1/4" M 2.1 bar	NUOVA SIMONELLI - VICTORIA ARDUINO
3	1523121	∅ 3/8" M 1.5 bar CE-PED	ELEKTRA
3	1523029	∅ 3/8" M 1.6 bar CE-PED	EXPOBAR - PROMAC - RANCILIO
3	1523059	∅ 3/8" M 1.8 bar CE-PED	ALL BRANDS - TUTTE LE MARCHE
3	1515025	∅ 3/8" M 1.9 bar CE-PED	CARIMALI - RANCILIO
3	1515007	∅ 3/8" M 2.0 bar CE-PED	CIMBALI - FAEMA
4	1523574	∅ 3/8" M 1.1 bar CE-PED	---
4	1523003	∅ 3/8" M 1.6 bar CE-PED	BRASILIA - FIAMMA - SAB ITALIA
4	1523572	∅ 3/8" M 1.8 bar CE-PED	ALL BRANDS - TUTTE LE MARCHE
5	1523571	∅ 1/4" M 1.8 bar CE-PED	---
5	1515004	∅ 1/4" M 2.0 bar CE-PED	CASADIO - CIMBALI - FAEMA



# GAGGIA



Photo	LF Code	Technical notes	Suitable for
5	1515005	∅ 3/8"M 1.8 bar CE-PED	SANREMO
6	1515006	∅ 3/8"M-3/8"M 1.8 bar CE-PED	BFC - ROYAL
6	1515017	∅ 3/8"M-3/4"M 1.8 bar CE-PED	GAGGIA

## BOTTOMLESS FILTER HOLDERS



LF Code	Suitable for	Wings	Adapter filter for pods	Notes
1165034	Astoria / CMA	6.0 mm	No	---
1165117	Astoria / CMA	6.5 mm	No	Plus 4 you / Concept
1165181	Bezzera	5.8 mm	Yes	---
1165035	Brasilia	5.5 mm	Yes	---
1165038	Carimali	6.0 mm	No	---
1165182	Cimbali	5.5 mm	Yes	---
1165039	Conti	8.0 mm	No	---
1165119	Dalla Corte	9.0 mm	No	---
1165192	Expobar	6.2 mm	Yes	---
1165183	Faema	7.2 mm	Yes	---
1165195	Fiorenzato cs	6.4 mm	Yes	---
1165184	Futurmat	7.2 mm	No	---
1165185	Gaggia	6.6 mm	Yes	---
1165194	Grimac	7.0 mm	Yes	---
1165186	Marzocco	6.5 mm	Yes	---
1165086	Marzocco	6.8 mm	Yes	---
1165118	Nuova Simonelli	7.0 mm	No	Slanted body / Corpo inclinato
5030988	Pavoni	5.6 mm	Yes	---
1165187	Rancilio	6.2 mm	Yes	---
1165185	Saeco	6.6 mm	No	---
1165191	San Marco	7.0 mm	Yes	---
1165193	Sanremo	6.4 mm	Yes	---
5050620	Spaziale	6.0 mm	Yes	---
1165188	Vibiemme	6.2 mm	Yes	---
1165189	Wega	6.4 mm	Yes	---

## BRASS WASHERS



LF Code	Dimensions	Suitable for	Notes
1186446	∅ 28x17x2 mm	ASTORIA/CMA 25651	SEVERAL APPLICATIONS - MOLTE APPLICAZIONI
1186035	---	ASTORIA/CMA 25652	FOR LEVEL - PER LIVELLO
1528095	∅ 15.4x9x1 mm	ASTORIA/CMA 25653	FOR INLET TAPS - PER RUBINETTI CARICO
1186376	∅ 12x8x1 mm	ASTORIA/CMA 25655	FOR STEAM/WATER TAPS - PER RUBINETTI VAPORE/ACQUA
1186298	∅ 13x6x0.5 mm	CIMBALI	FOR BREW GROUPS - PER GRUPPI EROGAZIONE
1186380	---	ELEKTRA 01380035	FOR LEVEL - PER LIVELLO



LF Code	Dimensions	Suitable for	Notes
1186319	∅ 13.9x8.3x1 mm	FAEMA 4051050569	FOR STEAM/WATER TAPS - PER RUBINETTI VAPORE/ACQUA
1186330	∅ 6.8x3.2x0.5 mm	FAEMA 4051136002	FOR BREW GROUPS - PER GRUPPI EROGAZIONE
1528130	∅ 26x16.5x1 mm	FAEMA 4051052071	FOR STEAM/WATER TAPS - PER RUBINETTI VAPORE/ACQUA
1186330	∅ 6.8x3.2x0.5 mm	FUTURMAT 04527503	FOR BREW GROUPS - PER GRUPPI EROGAZIONE
1186306	∅ 10x5x1 mm	FUTURMAT 04715801	FOR BREW GROUPS - PER GRUPPI EROGAZIONE
1186283	∅ 14.5x7x2 mm	FUTURMAT 08165508	FOR STEAM/WATER TAPS - PER RUBINETTI VAPORE/ACQUA
1528029	∅ 12x7x1 mm	GAGGIA S313001	G105 - G106
1528025	∅ 17x12x1 mm	GAGGIA S313003	G105 - G106
1186685	---	GRIMAC 1300900066-GR296	FOR LEVEL - PER LIVELLO
1186732	∅ 15x8.4x1 mm	GRIMAC GR354	FOR STEAM/WATER TAPS - PER RUBINETTI VAPORE/ACQUA
1186681	---	GRIMAC GR738	FOR STEAM/WATER TAPS - PER RUBINETTI VAPORE/ACQUA
1528018	∅ 14x6.5x0.5 mm	MARZOCCO I.4.001	FOR STEAM/WATER TAPS - PER RUBINETTI VAPORE/ACQUA
1528130	∅ 26x16.5x1 mm	MARZOCCO L165/2	FOR BREW GROUPS - PER GRUPPI EROGAZIONE
1186035	---	MCE 25652	FOR LEVEL - PER LIVELLO
1186035	---	ORCHESTRALE D25652	FOR LEVEL - PER LIVELLO
1528029	∅ 12x7x1 mm	PAVONI 313001	EUROPICCOLA - PROFESSIONAL - ROMANTICA - STRADIVARI
1528025	∅ 17x12x1 mm	PAVONI 313003	EUROPICCOLA - PROFESSIONAL - ROMANTICA - STRADIVARI
1528028	∅ 14.5x9.5x1.5 mm	PAVONI 313004	EUROPICCOLA - PROFESSIONAL - STRADIVARI
1186330	∅ 6.8x3.2x0.5 mm	PAVONI 401050	FOR BREW GROUPS - PER GRUPPI EROGAZIONE
1186814	---	RANCILIO 23123003	FOR STEAM/WATER TAPS - PER RUBINETTI VAPORE/ACQUA
1186807	∅ 18x13x0.5 mm	RANCILIO 23131005	FOR LEVEL - PER LIVELLO
1528017	∅ 17x9x1 mm	RANCILIO 32239002	FOR STEAM/WATER TAPS - PER RUBINETTI VAPORE/ACQUA
1186992	∅ 15x7x0.8 mm	SAN MARCO 205081	FOR BREW GROUPS - PER GRUPPI EROGAZIONE
1186462	∅ 12x8x2 mm	SAN MARCO 205305	FOR INLET TAPS - PER RUBINETTI CARICO
1528018	∅ 14x6.5x0.5 mm	SCALA C-0270	FOR STEAM/WATER TAPS - PER RUBINETTI VAPORE/ACQUA
1186732	∅ 15x8.4x1 mm	VIBIEMME RACCROGU	FOR STEAM/WATER TAPS - PER RUBINETTI VAPORE/ACQUA
1186330	∅ 6.8x3.2x0.5 mm	VIBIEMME RACCROPOGU	FOR STEAM/WATER TAPS - PER RUBINETTI VAPORE/ACQUA
1186306	∅ 10x5x1 mm	WEGA W10526	FOR INLET TAPS - PER RUBINETTI CARICO
1186446	∅ 28x17x2 mm	WEGA WY25651	SEVERAL APPLICATIONS - MOLTE APPLICAZIONI
1186035	---	WEGA WY25652	FOR LEVEL - PER LIVELLO
1528095	∅ 15.4x9x1 mm	WEGA WY25653	FOR INLET TAPS - PER RUBINETTI CARICO
1186376	∅ 12x8x1 mm	WEGA WY25655	FOR STEAM/WATER TAPS - PER RUBINETTI VAPORE/ACQUA
1186330	∅ 6.8x3.2x0.5 mm	WEGA WY27421011	FOR BREW GROUPS - PER GRUPPI EROGAZIONE

## BURRS



Photo	LF Code	Dimensions	LH/RH	Suitable for	For machine model
1	1251199	∅ 47.8/31.7 mm - ∅ 28/10 mm H20 mm	DX-RH	GAGGIA	SYNCRONYCOMPACT - SYNCRONYLOGIC - TITANIUM
1	1251199	∅ 47.8/31.7 mm - ∅ 28/10 mm H20 mm	DX-RH	SAECO	CAFENOVA - INCANTO - ROYAL - ROYALCOFFEEBAR - VIENNA
2	1251098	∅ 47.8/31.7 mm - ∅ 28/10 mm H20 mm	DX-RH	GAGGIA	SYNCRONYCOMPACT - SYNCRONYLOGIC - TITANIUM
2	1251098	∅ 47.8/31.7 mm - ∅ 28/10 mm H20 mm	DX-RH	SAECO	CAFENOVA - INCANTO - ROYAL - ROYALCOFFEEBAR - VIENNA
3	1251050	∅ 38/30 mm - ∅ 26/7 mm H17/20.3 mm	DX-RH	ISOMAC	MAVERICK PLUS - TEA BIS - ZAFFIRO BIS
4	1251250	∅ 43x26x7 mm	DX-RH	QUICK MILL	03035 PEGASO - 0835
5	1251099	∅ 43x25x6.5 mm	SX-LH	SAECO	RIOPROFI - VIAVENEZIA
6	1251146	∅ 48x28x6.5 mm	SX-LH	SAECO	INCANTO - ODEA - PRIMEA - TALEA





# GAGGIA



## CAPPUCCINATORE MINI



Photo	LF Code	Suitable for
1	1079001	BRASILIA - GRIMAC - SAECO
2	1079008	GRIMAC - PAVONI - RDL - SAECO - SPINEL
3	1079018	BFC - BRASILIA - GRIMAC - SAECO
4	5500786	BRASILIA - GRIMAC - SAECO
5	1079015	GRIMAC - PAVONI - RDL - SAECO - SPINEL

## CAPPUCCINATORE STANDARD



Photo	LF Code	Suitable for
1	1079022	ASTORIA/CMA - CARIMALI - NUOVA SIMONELLI - WEGA
2	1079002	BRASILIA - BRUGNETTI - CARIMALI - NUOVA SIMONELLI
3	1079006	UNIVERSAL

## CARBO FLAT GASKETS



LF Code	Dimensions	Suitable for	Notes
1186517	ø 31x21x3 mm	---	---
1186547	ø 32x24x1.5 mm	NUOVA SIMONELLI	FOR BREW GROUPS - PER GRUPPI EROGAZIONE
1186627	ø 41x33x3 mm	---	FOR HEATING ELEMENTS ø 1" - PER RESISTENZE ø 1"
1786215	ø 50x40x2 mm	ASTORIA/CMA	FOR HEATING ELEMENTS BOOSTED - PER RESISTENZE BOOSTED
1186633	ø 53x42x3 mm	---	FOR HEATING ELEMENTS ø 1"1/4 - PER RESISTENZE ø 1"1/4
1186942	ø 55x42x2 mm	ELEKTRA	FOR HEATING ELEMENTS - PER RESISTENZE
1186637	ø 56x47x3 mm	SAN MARCO	FOR HEATING ELEMENTS - PER RESISTENZE
1186606	ø 57x43x3 mm	---	FOR HEATING ELEMENTS MOD FAEMA - PER RESISTENZE MOD FAEMA
1186607	ø 57.8x50x3 mm	CIMBALI	FOR HEATING ELEMENTS - PER RESISTENZE
3186011	ø 63x48x2 mm	RANCILIO	FOR HEATING ELEMENTS - PER RESISTENZE
1186638	ø 67x55x3 mm	NUOVA SIMONELLI	FOR HEATING ELEMENTS - PER RESISTENZE
1186548	ø 73x61.5x1.5 mm	NUOVA SIMONELLI	FOR BREW GROUPS - PER GRUPPI EROGAZIONE
1186320	ø 87x81x0.5 mm	MARZOCCO	FOR BREW GROUPS - PER GRUPPI EROGAZIONE



## COFFEE CONTAINERS



Photo	LF Code	Suitable for	For machine model
1	1080173	GAGGIA 222712979	TITANIUM
2	5049854	GAGGIA 222765137	TITANIUM
3	1080131	SAECO 0329.006.230	MAGIC - ROYAL
4	1080116	SAECO 20006540	MAGIC - ROYAL
5	1080119	SAECO 222711880	CAFEGRANDE - MIGROS - TREVI - VIENNA - VIENNADELUXE
6	1319277	SAECO 11007379	PRIMEA

## COFFEE FILTERS GAGGIA



Photo	LF Code	Model	Suitable for	Notes
1	1160251	1 CUP - 6 gr	GAGGIA WGANF08/002/B / NF08/002	---
1	1160261	1 CUP - 7 gr	GAGGIA WGANF08/004/B / NF08/004	---
2	1160252	2 CUPS - 12 gr	GAGGIA	---
2	1160262	2 CUPS - 14 gr	GAGGIA WGANF08/005/B / NF08/005	---
3	1160339	BLIND - CIECO	GAGGIA WGANF08/006	---
4	1160113	1 CUP	GAGGIA S327054	G105 - G106
4	1160013	2 CUPS	GAGGIA S327053	G105 - G106
5	1160503	POD 1 CUP	GAGGIA	---
5	1160504	POD 2 CUPS	GAGGIA	---

## COFFEE GROUPS AND SPARE PARTS GAGGIA



Photo	LF Code	Suitable for	For machine model
1	1192077	GAGGIA 11005921	PLATINUM
2	1018506	GAGGIA 18G1511/01	D90 - E90



## COFFEE GROUPS SPRINKLERS



Photo	LF Code	Dimensions	Hole	Suitable for	For machine model
1	1501565	∅ 21 mm M5x1	---	FAEMA 4161133848	COMPACT - DUE - ELITE - ENOVA - EXPRESS - E61
1	1501565	∅ 21 mm M5x1	---	FUTURMAT 02476109	---
2	1510004	∅ 21 mm M5x1	---	CASADIO 457342000	DIECIA - DIECIS
2	1510004	∅ 21 mm M5x1	---	CIMBALI 457-342-000	M27 2008
2	1510004	∅ 21 mm M5x1	---	FAEMA 457342000	DUESMART - EMBLEMA - ENOVA - E61 - SMARTRESTY
3	1501560	∅ 21 mm M6x1	---	VIBIEMME RACCSPGRKO	EVOLUTION - KOMETA - LOLLO - MINIMAX - SILVER
4	1501007	∅ 30 mm M10x1	M5	MCE 27105000	START
4	1501007	∅ 30 mm M10x1	M5	ORCHESTRALE D27105000	ETNICA - PHONICA
4	1501007	∅ 30 mm M10x1	M5	WEGA WY27105000	AIRY - ATLAS - COLOSSEUM - COMBI NOVA - ESPRESSA - START
5	1501561	∅ 30 mm M10x1	---	BEZZERA 7479941	GALATEA - GALATEA DOMUS - GIULIA - UNICA
5	1501561	∅ 30 mm M10x1	---	BFC 0520070	CLASSICA - DELUX - GALILEO - IMOLA - JUNIOR - LA VITTORIA
5	1501561	∅ 30 mm M10x1	---	BIANCHI 43051216	LUCIA - SARA - SOFIA
5	1501561	∅ 30 mm M10x1	---	BRASILIA 04089.0.00.04	GRADISCA
5	1501561	∅ 30 mm M10x1	---	ECM C229901128	GIOTTO - LAURA - VENEZIANO
5	1501561	∅ 30 mm M10x1	---	ECM MANUFACTURE C229901128	CLASSIKA II - ELEKTRONIKA II PROFI - ELEKTRONIKA II PROFI
5	1501561	∅ 30 mm M10x1	---	EXPOBAR CTAV1-11	EB61 - OFFICE
5	1501561	∅ 30 mm M10x1	---	FAEMA	E61
5	1501561	∅ 30 mm M10x1	---	FIAMMA RST 5.0.025.0009	ATLANTIC - MARINA - PRESTIGE
5	1501561	∅ 30 mm M10x1	---	FIorenzato C.S A2200170	BRICOLETTA - COLOMBINA - DUCALE - FENICE - LIDO - VOLANTE
5	1501561	∅ 30 mm M10x1	---	FUTURMAT 02012904	ARIETE - CUSTOM - F3 - RIMINI
5	1501561	∅ 30 mm M10x1	---	GAGGIA SPAGNA 02012904	BELLA - G6 - KB
5	1501561	∅ 30 mm M10x1	---	GRIMAC 1201300006-GR762	ECLISSE - MIA - TEN - TWENTY - ZOLA I - ZOLA II
5	1501561	∅ 30 mm M10x1	---	ITALCREM 02012904	IT4
5	1501561	∅ 30 mm M10x1	---	MAIRALI 02012904	ARIANNE
5	1501561	∅ 30 mm M10x1	---	PAVONI	BART
5	1501561	∅ 30 mm M10x1	---	PROMAC 80230080	COMPACT - GREEN
5	1501561	∅ 30 mm M10x1	---	RENEKA AT7479941	AMICI - ATALANTE
5	1501561	∅ 30 mm M10x1	---	ROYAL 0520070	DIADEMA - SYNCHRO
5	1501561	∅ 30 mm M10x1	---	SAB TM-SPR8F400	ELLIPSE - E96 - MODERNA
5	1501561	∅ 30 mm M10x1	---	SANREMO 10052141	AMALFI - CAPRI - MILANO LX - PISA - TORINO - TREVISO
5	1501561	∅ 30 mm M10x1	---	SCALA C-0318	BUTTERFLY - CARMEN - EROICA
5	1501561	∅ 30 mm M10x1	---	VFA	ELITE - MAGESTIC - SPLENDOR
5	1501561	∅ 30 mm M10x1	---	VIBIEMME RACCSPGR	CHIMAERA - DOMOBAR - DOSAPLUS - MERCURY - REPLICA
5	1501561	∅ 30 mm M10x1	---	VISACREM 02012904	BRAVA - V6
5	1501561	∅ 30 mm M10x1	---	WEGA WY27105	AIRY - ATLAS - ATLAS10 - NOVA - NOVECENITO - ORION ECO - P
6	1501568	∅ 30 mm M10x1	M5	PAVONI 314098	P UNO - P TRE
6	1501014	∅ 30 mm M9.6x1	M5	BRUGNETTI/AURORA 000183	ALEXIA - C

## CONTACT THERMOSTATS GAGGIA



Photo	LF Code	Temperature °C	Suitable for	For machine model
1	1443011	100	GAGGIA WGADM1561	GD - GE - LCD - TS - XD - XE
1	1443400	107	GAGGIA DM1168	CAREZZA - CLASSIC - EVOLUTION
2	1443007	127	GAGGIA S436040	G105 - G106
3	1444521	155	GAGGIA DM1288	CAREZZA - CLASSIC - EVOLUTION
4	1443040	175	GAGGIA 189428200	SYNCRONY - TITANIUM

## CONTROL BOXES GAGGIA



Photo	LF Code	For machines with no. of groups	Power	Suitable for	For machine model
1	1054558	2-3	230V	GAGGIA DM1876/002/230	D90
2	1054517	4	230V	GAGGIA DM1373/4/220	D90
1	1054048	2	230V	GAGGIA DM2182/02/230	D90EVOLUTION - GD - GD COMPACT - XD EVOLUTION
2	1054046	1-2-3	230V	GAGGIA 5027001000	DECO DOS
2	1054047	1-2-3	230V	GAGGIA 12000669	DECO MAN
1	1054556	2-3	230V	GAGGIA DM2123/03/230	XD - FD2000 - FE2000
1	5055629	2	230V	GAGGIA 12001194	LC/D
3	5026244	1	230V	GAGGIA 5014004000	GD ONE

## DRAIN TANKS GAGGIA



Photo	LF Code	Notes	Suitable for	For machine model
1	1527045	---	GAGGIA AS0180/01/A	DECO - TD - TE - TN94
2	1527043	---	GAGGIA AS0180/A	D90 - E90 - FD2000 - FE2000 - XD - XE
3	1527044	---	GAGGIA AS0062	DECO - D90 - E90 - FD2000 - FE2000 - TD - TE - TN94 - XD
4	1527537	100x80x48 mm	GAGGIA WGA4001097000	GD - GE



## DRIP TRAYS GAGGIA



Photo	LF Code	Colour	Suitable for	For machine model
1	1015001	BLACK - NERA	GAGGIA S371104	G105 - G106
2	1527029	SILVER - ARGENTO	GAGGIA 229631637	TITANIUM

## EPDM FLAT GASKETS



LF Code	Dimensions	Suitable for	Notes
1186427	∅ 10x4x2 mm	RANCILIO	FOR BREW GROUPS - PER GRUPPI EROGAZIONE
1186758	∅ 10x4.5x4 mm	MARCFI-ANCAS	FOR INLET TAPS - PER RUBINETTI CARICO
1186342	∅ 11x3x4 mm	CIMBALI - FAEMA	FOR STEAM/WATER TAPS - PER RUBINETTI VAPORE/ACQUA
1186454	∅ 11x3.6x2 mm	PROMAC - RANCILIO	FOR INLET TAPS - PER RUBINETTI CARICO
1186423	∅ 11x4x4 mm	BRASILIA	FOR INLET TAPS - PER RUBINETTI CARICO
1186703	∅ 11x7x7 mm	CIMBALI	FOR BREW GROUPS M15- PER GRUPPI EROGAZIONE M15
1186083	∅ 12x3x4 mm	RENEKA	FOR STEAM/WATER TAPS - PER RUBINETTI VAPORE/ACQUA
1786263	∅ 12.5x8x9 mm	ASTORIA/CMA - WEGA	FOR STEAM/WATER TAPS - PER RUBINETTI VAPORE/ACQUA
1186588	∅ 13x3x4 mm	AZKOYEN	FOR STEAM/WATER TAPS - PER RUBINETTI VAPORE/ACQUA
1186161	∅ 13x4x4 mm	BRASILIA - CONTI - RENEKA	FOR STEAM/WATER TAPS - PER RUBINETTI VAPORE/ACQUA
1186935	∅ 13x4x4 mm	ELEKTRA	FOR STEAM/WATER TAPS - PER RUBINETTI VAPORE/ACQUA
1186935	∅ 13x4x4 mm	GRIMAC	FOR BREW GROUPS - PER GRUPPI EROGAZIONE
1186150	∅ 13x7.4x7 mm	SAN MARCO	FOR INLET TAPS - PER RUBINETTI CARICO
1186111	∅ 14x4x4 mm	BEZZERA	FOR STEAM/WATER TAPS - PER RUBINETTI VAPORE/ACQUA
1186111	∅ 14x4x4 mm	SAN MARCO	FOR BREW GROUPS - PER GRUPPI EROGAZIONE
1186302	∅ 14x4x5 mm	CARIMALI	FOR STEAM/WATER TAPS - PER RUBINETTI VAPORE/ACQUA
1186316	∅ 15x4x4 mm 60SH	ASTORIA/CMA - WEGA	FOR STEAM/WATER TAPS - PER RUBINETTI VAPORE/ACQUA
1186527	∅ 15x4x4 mm 80SH	ASTORIA/CMA - WEGA	FOR STEAM/WATER TAPS - PER RUBINETTI VAPORE/ACQUA
1186515	∅ 15x5.5x3.5 mm	SPAZIALE	FOR STEAM/WATER TAPS - PER RUBINETTI VAPORE/ACQUA
1186369	∅ 15x5.5x4 mm	FUTURMAT	FOR BREW GROUPS - PER GRUPPI EROGAZIONE
1186369	∅ 15x5.5x4 mm	SAN MARCO	FOR STEAM/WATER TAPS - PER RUBINETTI VAPORE/ACQUA
1186985	∅ 15x6x6 mm	GAGGIA	FOR STEAM/WATER TAPS - PER RUBINETTI VAPORE/ACQUA
1186985	∅ 15x6x6 mm	PAVONI	FOR STEAM/WATER TAPS - PER RUBINETTI VAPORE/ACQUA
1186300	∅ 15x7.3x4 mm	CIMBALI	FOR STEAM/WATER TAPS - PER RUBINETTI VAPORE/ACQUA
1186300	∅ 15x7.3x4 mm	GRIMAC	FOR STEAM/WATER TAPS - PER RUBINETTI VAPORE/ACQUA
1186057	∅ 15.3x7.7x4 mm	BRASILIA	FOR STEAM/WATER TAPS - PER RUBINETTI VAPORE/ACQUA
1186312	∅ 15.5x7.5x4 mm	MANY BRANDS - MOLTI MARCHI	SEVERAL APPLICATIONS - MOLTE APPLICAZIONI
1186233	∅ 16x4x5 mm	UNIC	FOR STEAM/WATER TAPS - PER RUBINETTI VAPORE/ACQUA
1186282	∅ 16.5x6x4 mm	SAN MARCO	FOR BREW GROUPS - PER GRUPPI EROGAZIONE
1186170	∅ 18x4x4 mm	CARIMALI	FOR STEAM/WATER TAPS - PER RUBINETTI VAPORE/ACQUA
3449039	∅ 18x11x2 mm	---	FOR INLET HOSES ∅ 1/2" - PER TUBI CARICO ∅ 1/2"
1186102	∅ 19x3.5x4 mm	BEZZERA	FOR STEAM/WATER TAPS - PER RUBINETTI VAPORE/ACQUA





LF Code	Dimensions	Suitable for	Notes
1186958	∅ 20.5x15x2 mm	CIMBALI	FOR STEAM/WATER TAPS - PER RUBINETTI VAPORE/ACQUA
1186066	∅ 21x15x3 mm	BRASILIA	FOR STEAM/WATER TAPS - PER RUBINETTI VAPORE/ACQUA
1186410	∅ 21x16x2 mm	RANCILIO	FOR BREW GROUPS - PER GRUPPI EROGAZIONE
1186410	∅ 21x16x2 mm	RENEKA	FOR STEAM/WATER TAPS - PER RUBINETTI VAPORE/ACQUA
1786222	∅ 22x18x1.5 mm	CIMBALI	FOR BOOSTER PUMPS - PER POMPE VOLUMETRICHE
3449026	∅ 24x12x2 mm	---	FOR INLET HOSES ∅ 3/4" - PER TUBI CARICO ∅ 3/4"
1786231	∅ 24x15x3 mm	GAGGIA	FOR INLET TAPS - PER RUBINETTI CARICO
1786231	∅ 24x15x3 mm	PAVONI	FOR STEAM/WATER TAPS - PER RUBINETTI VAPORE/ACQUA
1786315	∅ 51.3x43x5 mm	ISOMAC	FOR BREW GROUPS - PER GRUPPI EROGAZIONE

## EXPANSION AND NON-RETURN VALVES "UNIVERSAL"



Photo	LF Code	Dimensions
1	1523036	∅ 1/8"M-1/8"F
2	1523700	∅ 1/8"M-1/8"M
3	3349281	∅ 3/8"F-3/8"F
4	3349283	∅ 3/4"F-3/4"F
5	1523072	∅ 3/8"M

## EXPANSION AND NON-RETURN VALVES GAGGIA



Photo	LF Code	Dimensions	Suitable for	For machine model
1	1523068	∅ 1/8"M-1/8"M	GAGGIA WGA5001015000	GD - GE
2	1523701	∅ 3/8"M-3/8"M	GAGGIA DM2197	D90 - E90
3	1720002	∅ 1/4"M-1/4"M	GAGGIA DM1370	D90 - E90 - FD2000 - FE2000 - XD - XE
4	1523432	∅ 1/8"M	GAGGIA WGA5001014000	GD - GE - LCD - XD - XE
5	1720006	∅ 3/8"M-7 mm	GAGGIA 8008016000	GD ONE - GE ONE - TS
6	1720005	∅ 1/4"F-7 mm	GAGGIA WGADM0262/003	DECO - FD2000 - FE2000 - GD COMPACT - GE COMPACT





# GAGGIA



## FASTENING NUTS LEVEL GLASS



Photo	LF Code	Dimensions	Suitable for	For machine model
1	1349061	∅ 1/2"F - 12 mm	ASTORIA/CMA 25383	ARGENTA - BRAVA - CALYPSO - DENISE - DIVINA - DORA
2	1528148	∅ 1/2"F - 13 mm	BEZZERA 5221828	B2000 - B2000AL - B2006 - B2006AL - B2009 COMPACT
3	1528149	∅ 3/8"F - 11 mm	BEZZERA 5221836	B2013 - B6000 - EBBIS AL - ELLISSE AL - ELLISSE NEW
4	1348030	∅ 1/2"F - 13 mm	CIMBALI 590-018-000	JUNIOR - M20 - M25 - M27 - M28 - M30
4	1348030	∅ 1/2"F - 13 mm	FAEMA 590018000	E98 COMPACT
5	1528136	∅ 1/2"F - 13 mm	GAGGIA WGA4001075000	DECO - GD - GE
1	1349061	∅ 1/2"F - 12 mm	MCE 25383	START
1	1349061	∅ 1/2"F - 12 mm	ORCHESTRALE D25383	ETNICA - PHONICA
5	1528136	∅ 1/2"F - 13 mm	SAECO WGA4001075000	AROMA
6	1528045	∅ 1/2"F - 13 mm	SPAZIALE 00263	NEW - RAPID - SELETRON PLUS - SPAZIO - SUPER 3000 - S3
1	1349061	∅ 1/2"F - 12 mm	WEGA WY25383	AIRY - ATLAS - ATLAS 10 - COLOSSEUM - COMBI NOVA

## FEET

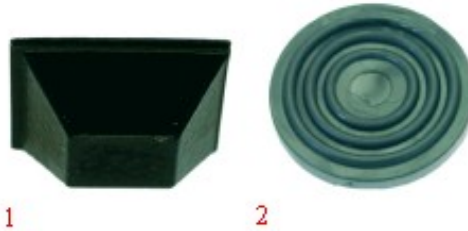


Photo	LF Code	Dimensions (mm)	Suitable for	For machine model
1	1313022	20x20 mm	SAECO 147623150	EASY - INCANTO
2	1313003	∅ 30 mm	GAGGIA S371101	G105 - G106
2	1313003	∅ 30 mm	PAVONI 371101	EUROPICCOLA - PROFESSIONAL - ROMANTICA - STRADIVARI

## FILTER HOLDER GAGGIA



Photo	LF Code	Wings	Knob	Spouts	Filter	Spring	Suitable for	For machine model
1	1165109	7 mm	M10	3/8	NO	NO	GAGGIA 8027085000	DECO - D90 - E90 - GD - GE - LCD - XD - XE
2	1165108	7 mm	M10	3/8	NO	NO	GAGGIA 8027086000	DECO - D90 - E90 - GD - GE - LCD - XD - XE
3	1165026	7 mm	M10	3/8	NO	NO	GAGGIA WGA26G0104	DECO - D90 - E90 - GD - GE - LCD - XD - XE
4	1165027	7 mm	SCREW - A VITE	3/8	NO	YES	GAGGIA DY0004/A	BABY
5	5059488	7 mm	SCREW - A VITE	3/8	NO	NO	GAGGIA 6301002000	BABY
6	5047148	7 mm	SCREW - A VITE	3/8	NO	NO	GAGGIA 8332018000	NEWBABY06

## FILTER HOLDER GASKETS GAGGIA



Photo	LF Code	Dimensions (mm)	Notes	Suitable for	For machine model
1	1186676	∅ 72x56x8.5	EXT. CUTS - SPACCHI EST.	GAGGIA WGANG01/001/B	DECO - D90 - E90 - FD2000 - FE2000 - GD - GE - TE - TS -
2	1186741	∅ 72x56x8.5	---	GAGGIA	DECO - D90 - E90 - FD2000 - FE2000 - GD - GE - TE - TS -
3	1786216	∅ 72x57x8.5	---	GAGGIA NG01/001	ACHILLE - BABY - BABY86 - BABY89 - CAREZZA - CLASSIC - CO
4	1486006	∅ 73.5x57x5	---	GAGGIA GG0026/01	CUBIKA - GRANGAGGIA - VIVAGAGGIA
5	1486003	∅ 79x56x6.5	---	GAGGIA 11004543	NEWESPRESSO06

## FILTER HOLDER KNOBS GAGGIA



Photo	LF Code	Connection	Suitable for
1	1141005	M10	GAGGIA WGA8001061000
2	5059486	---	GAGGIA DY0006
3	5047149	---	GAGGIA 4332037000
4	5047150	---	GAGGIA 4332038000
5	1241055	M10	GAGGIA S371125

## FILTER LOCKING SPRING

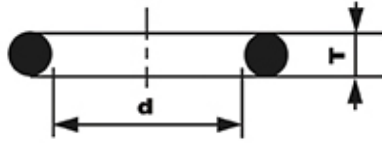


Photo	LF Code	wire ∅ (mm)	Suitable for
1	1250101	1.00	ALL BRANDS - TUTTI I MARCHI
1	1250002	1.20	ALL BRANDS - TUTTI I MARCHI
1	1250333	1.30	ALL BRANDS - TUTTI I MARCHI
1	1250338	1.40	ALL BRANDS - TUTTI I MARCHI
2	1250279	1.40	ASTORIA/CMA P4Y - WEGA CONCEPT 52
3	5033397	1.00	PAVONI EUROPICCOLA
4	1250018	1.00	ELEKTRA MICROCASA



**GASKETS "OR" R1-R2-R3....R10..**

**1.90 - 2.20**  
**2.70 - 3.60 mm**



Dimensions (mm) T x d	Model (new cross-references)	Model (old cross-references)	LF Code (EPDM)	LF Code (VITON)	LF Code (SILICONE)
1.90 x 2.40	OR R0		1786108		
1.90 x 3.40	OR R2		2104557		
1.90 x 4.20	OR R3		1186996	1786316	
1.90 x 4.90	OR R4		1786286		
1.90 x 5.70	OR R5		1186854	1786310	1186610
1.90 x 7.20	OR R6		1186556	1186791	
2.70 x 12.10	OR R10		1786297		
3.60 x 23.00	OR R18		1786157		

**GASKETS FOR GROUP ADJUSTABLE TO SEVERAL BRANDS**

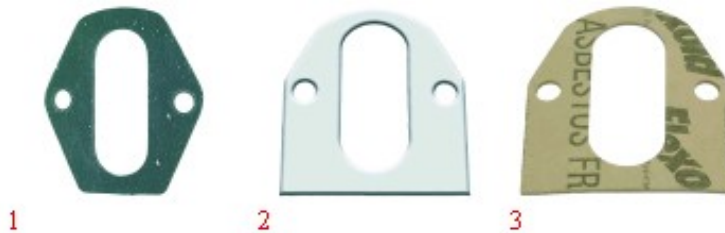


Photo	LF Code	Features	Suitable for	For machine model
1	1186502	79x71x2 mm - CARBO	MANY BRANDS - MOLTI MARCHI	FOR MODEL E61 GROUPS - PER GRUPPI TIPO E61
2	1186508	77x73x2 mm - PTFE	MANY BRANDS - MOLTI MARCHI	FOR MODEL E61 GROUPS - PER GRUPPI TIPO E61
3	1186384	80x70x2 mm - PAPER	MANY BRANDS - MOLTI MARCHI	FOR MODEL E61 GROUPS - PER GRUPPI TIPO E61

**GASKETS FOR GROUP GAGGIA**

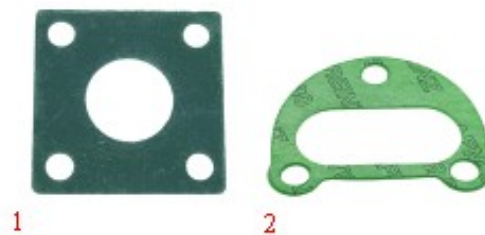


Photo	LF Code	Features	Suitable for	For machine model
1	1186523	68x68x2 mm - CARBO	GAGGIA	D90 - E90
2	1186980	73x61x1 mm - FREE	GAGGIA WGA4001084000	DECO - GE - GD



## GASKETS ORM



Model	Notes	LF Code	Suitable for
0060-10	SILICON RED	1186550	ASTORIA/CMA 12300013
0250-40	NBR BLACK	1186772	ASTORIA/CMA 12300027
0170-30	NBR BLACK	1186773	ASTORIA/CMA 12336000
0050-15	EPDM BLACK	1786219	ASTORIA/CMA 12662000
0040-20	SILICON RED	1786257	BIANCHI 43113416-01
0140-20	NBR BLACK	1186484	BRASILIA 18514.0.00.02
0160-20	EPDM BLACK	1186165	BRASILIA 18682.0.00.02
0059-12	EPDM BLACK	5034069	CARIMALI 87.00169
0160-20	EPDM BLACK	1186165	CARIMALI 95.05027
0057-19	VITON GREEN	1186966	CASADIO 402198000
0057-19	VITON GREEN	1186966	CIMBALI 402-198-000
0089-27	VITON GREEN	1186968	CIMBALI 402-197-000
0680-20	EPDM BLACK	1186381	CONTI 173100
0040-20	EPDM BLACK	1186252	CONTI 403457
0120-20	VITON GREEN	1186157	CONTI 409631
0060-10	EPDM BLACK	1786071	CONTI 410838
0248-18	SILICON BLACK	1786269	DELONGHI 5313214431
0045-20	SILICON BLACK	1786265	DELONGHI 5313217691
0038-20	SILICON BLACK	1786264	DELONGHI 5313217701
0060-20	SILICON RED	1186867	DELONGHI 5332144800
0350-41	SILICON RED	1486015	DELONGHI 5332149100
0060-36	SILICON BLACK	1486016	DELONGHI 5332173500
0060-10	EPDM BLACK	1786071	EXPOBAR 50010090
0057-19	VITON GREEN	1186966	FAEMA 402198000
0089-27	VITON GREEN	1186968	FAEMA 402197000
0780-30	EPDM BLACK	1186507	FAEMA 4701026909
0040-20	EPDM BLACK	1186252	FAEMA 4701030708
0060-18	EPDM BLACK	1786302	FIAMMA RST 5.0.002.0122
0017-20	EPDM BLACK	1786295	FIAMMA RST 5.0.016.0225
0060-12	EPDM BLACK	1186713	FIAMMA RST 5.0.016.0323
0058-20	VITON BLACK	1786304	FRACINO FC222SG
0040-20	EPDM BLACK	1186252	FUTURMAT 03070802
0060-30	SILICON BLACK	5008675	GAGGIA 140324362
0080-20	VITON BLACK	1186687	GRIMAC 1110800040-GR756
0050-20	VITON BLACK	1186778	MARZOCCO H.1.005
0059-12	EPDM BLACK	5034069	NUOVA SIMONELLI 02280036
0160-20	EPDM BLACK	1186165	NUOVA SIMONELLI 02280037
0102-25	PTFE	1786260	NUOVA SIMONELLI 02600004
0080-20	EPDM BLACK	1786149	PAVONI 0ENM02004
0500-40	SILICON RED	1186453	RANCILIO 36404113
0072-15	EPDM BLACK	1786063	RENEKA 9001884
0170-20	EPDM BLACK	1786064	RENEKA 9005075
0030-15	EPDM BLACK	1186855	SAECO 12000414
0080-20	SILICON RED	1186852	SAECO 140320459
0080-20	TERMOIL BLACK	1786111	SAECO 140320461
0090-20	SILICON RED	1186647	SAECO 140320762
0060-30	SILICON BLACK	5008675	SAECO 140324362



# GAGGIA



Model	Notes	LF Code	Suitable for
0060-20	SILICON RED	1186867	SAECO 140324459
0080-15	EPDM BLACK	1186675	SAECO 140324961
0040-20	EPDM BLACK	1186252	SAECO 140326661
0380-40	SILICON RED	1186856	SAECO 140329262
0320-40	SILICON RED	1186862	SAECO NM01.044
0050-20	SILICON RED	1186648	SAECO NM01.057
0080-20	EPDM BLACK	1786149	SAECO NM02.004
0055-15	EPDM BLACK	1786150	SAECO NM02.017
0090-25	EPDM BLACK	1786074	SAECO NM02.018
0040-20	EPDM BLACK	1186252	SPAZIALE 04649
0160-20	EPDM BLACK	1186712	SPAZIALE 08289
0060-12	EPDM BLACK	1186713	SPAZIALE 08354
0060-10	SILICON RED	1186550	SPINEL SR.000.060.042
0017-20	EPDM BLACK	1786295	VIBIEMME GUARORVALESPE
0060-10	SILICON RED	1186550	WEGA WY12300013
0250-40	NBR BLACK	1186772	WEGA WY12300027

## HANDLES GAGGIA



Photo	LF Code	Notes	Suitable for	For machine model
1	1241176	STEAM/WATER - VAPORE/ACQUA	GAGGIA 8027044000	DECO - D90 - E90 - LCD - XD - XE
2	1241417	STEAM - VAPORE	GAGGIA WGADM0794/003	DECO - D90 - E90 - LCD - XD - XE
2	1241418	WATER - ACQUA	GAGGIA	DECO - D90 - E90 - LCD - XD - XE
3	1241416	STEAM/WATER - VAPORE/ACQUA	GAGGIA	D90 - E90
4	1241174	STEAM - VAPORE	GAGGIA DM0794/001	D90 - E90
4	1241175	WATER - ACQUA	GAGGIA DM0793/001	D90 - E90
5	5038341	STEAM - VAPORE	GAGGIA CF0189/A	CLASSIC - COFFEDELUXE - COFFEE97
6	1241159	STEAM - VAPORE	GAGGIA RE0012	CAREZZA

## HANDLES GAGGIA



Photo	LF Code	Notes	Suitable for	For machine model
1	5027276	STEAM/WATER - VAPORE/ACQUA	GAGGIA WGA8001028000	GD - GE
2	1241494	FOR INLET TAPS - PER RUBINETTI CARICO	GAGGIA RB0718/01	D90 - E90
3	1241420	FOR INLET TAPS - PER RUBINETTI CARICO	GAGGIA DM0792/001	D90 - E90
4	1241150	FOR INLET TAPS - PER RUBINETTI CARICO	GAGGIA WGARB0843	DECO - D90 - E90 - GD - GE - XD - XE
5	1241542	FOR SELECTOR SWITCH - PER COMMUTATORE	GAGGIA 12000822	DECO

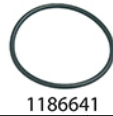
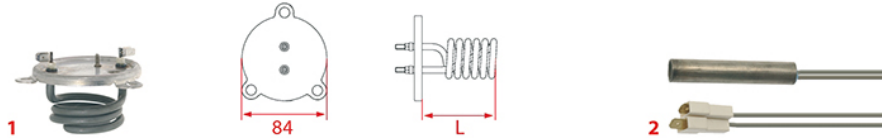


## HEATING ELEMENT GASKETS



Photo	LF Code	Dimensions	Suitable for	Notes
1	1186538	80x80x2 mm - $\varnothing$ 40 mm	BRASILIA - BRUGNETTI - ECM - EXPOBAR - SAB ITALIA - VIBIE	---
2	1186621	80x80x2 mm - $\varnothing$ 40 mm	BRASILIA - BRUGNETTI - ECM - EXPOBAR - SAB ITALIA - VIBIE	---
3	1186634	80x80x2 mm - $\varnothing$ 40 mm	BRASILIA - BRUGNETTI - ECM - EXPOBAR - SAB ITALIA - VIBIE	---
4	1186584	70x70x2 mm - $\varnothing$ 40 mm	GAGGIA - PAVONI - SAECO	---
5	1186635	70x70x2 mm - $\varnothing$ 40 mm	GAGGIA - PAVONI - SAECO	---
6	1786006	70x70x2 mm - $\varnothing$ 40 mm	GAGGIA - PAVONI - SAECO	---

## HEATING ELEMENTS GAGGIA



1186641

Photo	LF Code	Watt - Volt	L (mm)	Groups	Suitable for	For machine model
1	1755050	920/1000W 230/240V	46	1	GAGGIA S331335	G105 - G106
1	1755166	1000W 120V	46	1	GAGGIA S331334	G105 - G106
2	1755826	80W 240V	$\varnothing$ 12x55	1-2-3-4	GAGGIA DM1804/001	GD - GE - LCD - TS -XD - XE

## HEATING ELEMENTS GAGGIA



1786006



1186584



1186635

Photo	LF Code	Watt - Volt	L (mm)	Groups	Bulb sheath	Suitable for	For machine model
1	1755008	2500W 220/380V	220	1	YES	GAGGIA DM1615/220-240	GD COMPAC - GE COMPAC
1	1755056	4000/4760W 220/240V	310	2	YES	GAGGIA 11003362	GD - GE - LCD - XD - XE
1	1755270	5465W 230V	400	3	YES	GAGGIA 11003363	GE - GD - XE - XD
1	1755271	6000/7140W 220/240V	490	4	YES	GAGGIA 11003364	GE - GD - XE - XD
2	1755267	4760W 240V	315	2	YES	GAGGIA 4027004002	DECO
2	1755268	5000/5950W 220/240V	400	3	YES	GAGGIA 4027004003	DECO
2	1755269	7140W 240V	500	3	YES	GAGGIA 4027004004	DECO





## HEATING ELEMENTS GAGGIA

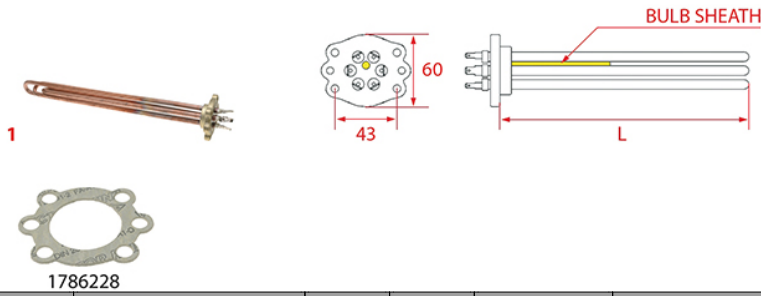


Photo	LF Code	Watt - Volt	L (mm)	Groups	Bulb sheath	Suitable for	For machine model
1	1755275	5000W 240V	345	2	NO	GAGGIA ES9190.261.00A	E90 - D90
1	1755265	4200/5000W 220/240V	350	2	NO	GAGGIA 9190.262.00A	E90 - D90
1	1755266	6000W 240V	435	3	YES	GAGGIA 9190.263.00A	E90 - D90

## HEATING ELEMENTS GAGGIA

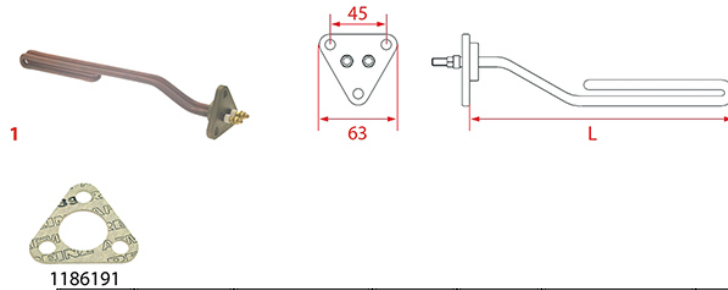


Photo	LF Code	Watt - Volt	L (mm)	Groups	Suitable for	For machine model
1	1755120	1250W 220V	325	2	GAGGIA	TELL

## HEATING ELEMENTS GAGGIA

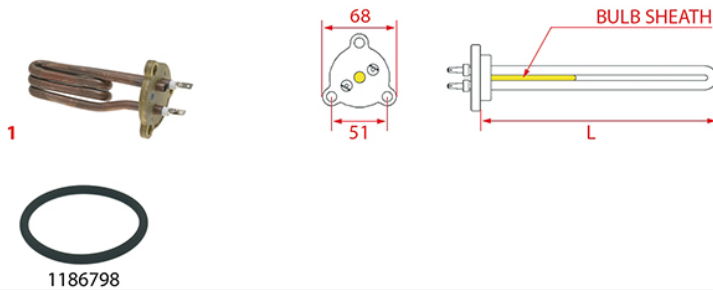


Photo	LF Code	Watt - Volt	L (mm)	Groups	Bulb sheath	Suitable for	For machine model
1	1755264	1500W 230V	125	1	YES	GAGGIA 9190.297.00A	TS - GE ONE - GD ONE

## HEATING ELEMENTS GAGGIA

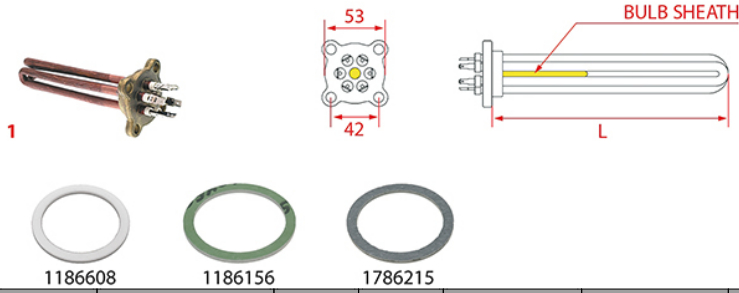


Photo	LF Code	Watt - Volt	L (mm)	Groups	Bulb sheath	Suitable for	For machine model
1	1755123	2000W 220/380V	130	1	NO	GAGGIA	OLD MODELS - MODELLI VECCHI
1	1755124	4000W 220V	347	2	NO	GAGGIA	OLD MODELS - MODELLI VECCHI
1	1755125	5000W 220/400V	420	3	NO	GAGGIA	OLD MODELS - MODELLI VECCHI

## INDICATOR LIGHTS GAGGIA

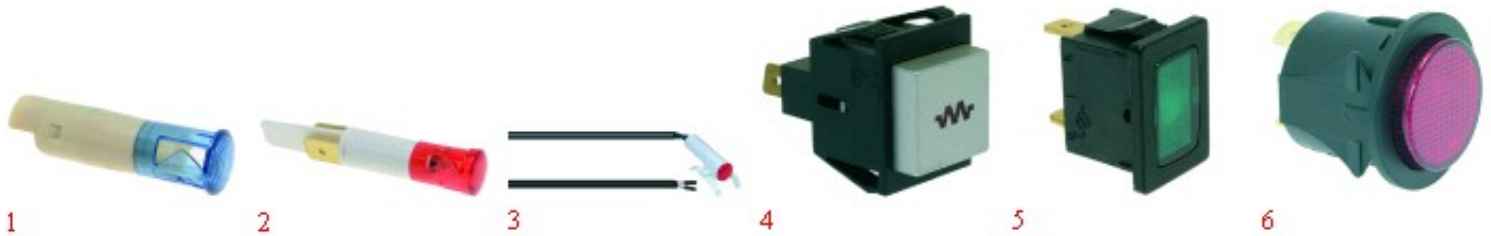


Photo	LF Code	Volt	∅ head - ∅ hole - °C	Suitable for	For machine model
1	1221058	230V	∅ 10 mm - ∅ 9 mm - 120°C	GAGGIA 5027013000	DECO
2	3221284	250V	∅ 10 mm - ∅ 9 mm - 85°C	GAGGIA 5008005000	TS - XD - XE
3	1221023	---	∅ 8 mm	GAGGIA WGA5001010000	GD - GE
4	1221038	250V	22x27 mm	GAGGIA 5301003000	NEWBABY
5	1221057	250V	19x13 mm	GAGGIA DM2044	LCD - XD - XE
6	3221407	250V	∅ 25 mm	GAGGIA WGA5001012000	DECO - GD - GE

## LEVEL GAUGE PLATES GAGGIA



Photo	LF Code	Dimensions (mm)	Suitable for	For machine model
1	1201565	---	GAGGIA 01379/02	D90 - E90
2	1201016	162x26	GAGGIA S371134	G105 - G106



# GAGGIA



## LEVEL GLASS BALLS



Photo	LF Code	Dimensions (mm)	Suitable for
1	1323006	∅ 7	ALL BRANDS - TUTTE LE MARCHE
2	1323001	∅ 5.8	ALL BRANDS - TUTTE LE MARCHE
3	1323007	∅ 9,5	ALL BRANDS - TUTTE LE MARCHE

## LEVEL GLASS FITTINGS



Photo	LF Code	Dimensions (mm)	Suitable for
1	1349070	∅ 3/8" M - ∅ 12	BIANCHI - BRASILIA - FIAMMA - FRACINO - GAGGIA - VIBIEMME
2	1201057	∅ 3/8" M - ∅ 11	SANREMO
3	1186038	---	EXPOBAR
4	1201017	---	PAVONI

## LEVEL GLASS FITTINGS



Photo	LF Code	Dimensions (mm)	Suitable for
1	1186448	∅ 14.5x11.5x3.5	BIANCHI - FIAMMA - FIORENZATO CS - SCALA
1	1186420	∅ 15x11.5x3	VIBIEMME
1	1786037	∅ 15x11.5x3	BRASILIA - FRACINO - GAGGIA
2	1186357	∅ 18x13.5x4 mm	CIMBALI - FAEMA
2	1186219	∅ 18.5x13x3	CARIMALI
3	1186287	∅ 18x12x3	CONTI
4	1528015	∅ 24x13.2x6.8	FAEMA
5	1186269	∅ 18x12x1	CONTI

## LEVEL GLASS GASKETS



Photo	LF Code	Suitable for
1	1186733	SPAZIALE
2	1186211	BEZZERA
3	1186226	CIMBALI - GAGGIA - PAVONI - SAECO - SPAZIALE
4	1186257	SAN MARCO

## LEVEL GLASS GASKETS



Photo	LF Code	Dimensions (mm)	Suitable for
1	1186173	∅ 16.5x10x12.5	MARCFI-ANCAS
1	1186221	∅ 19x11.5x10	CARIMALI - CONTI - NUOVA SIMONELLI
2	1186270	∅ 18x11x4	CONTI
2	1186227	∅ 21x11.5x5	BRUGNETTI/AURORA - FAEMA - FUTURMAT
2	1186251	∅ 18x12x3	RANCILIO
2	1186360	∅ 18x12x2	CIMBALI
3	1401002	∅ 14.5x10x7	BEZZERA
4	1186206	∅ 16x10x8	ASTORIA/CMA - BFC - GRIMAC - NUOVA SIMONELLI - ROYAL
5	1186375	∅ 15x9x8	ELEKTRA
5	1186469	∅ 15x9x5	GAGGIA - PAVONI
6	1186498	∅ 14.5x11x2	EXPOBAR
6	1186256	∅ 31x19x3	SAN MARCO
6	1186266	∅ 26x12x7	UNIC



## LEVEL PROBES GAGGIA



1

Photo	LF Code	Notes	Suitable for	For machine model
1	1341016	∅ 1/4"M-123 mm	GAGGIA WGADM1935	DECO - GD - GE - LCD - XD - XE

## LEVEL REGULATORS GAGGIA



1



2



3



4

Photo	LF Code	Features	Suitable for	For machine model
1	1341041	RL 1E/2C/F 230V	GAGGIA DM1940/02	XE
2	1054571	RL01E/1S/4C/F 240V	GAGGIA 5008003000	TS
3	1341304	RL30/1E/2C/11 230V	GAGGIA DM0643	E90
4	1341042	RL30/1E/2C/F 230V	GAGGIA WGADM1940	GE - FD2000 - FE2000

## LIP GASKETS GAGGIA



1



2



3

Photo	LF Code	Dimensions (mm)	Suitable for	For machine model
1	1186470	∅ 21x11x4.5	GAGGIA S361006	G105 - G106
2	1186700	∅ 23x15x6	GAGGIA 145842900	NEW BABY 06
3	1186467	∅ 44x33x5.5	GAGGIA S361005	G105 - G106

## MICROSWITCHES GAGGIA



1

Photo	LF Code	Volt	Suitable for	For machine model
1	3240407	16A 250V	GAGGIA DMA151	BABY

## MOTORS GAGGIA



1

Photo	LF Code	Model	Suitable for	For machine model
1	1240368	11062503 - 165W 230V 1.3A 50/60Hz	GAGGIA WGA5001017000	DECO - GD - GE - XD - XE

## NBR FLAT GASKETS



1



2

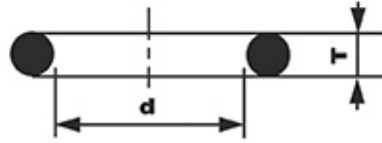
Photo	LF Code	Dimensions	Suitable for	Notes
1	1186474	∅ 12x7x5 mm	GAGGIA	FOR STEAM/WATER TAPS - PER RUBINETTI VAPORE/ACQUA
1	1186474	∅ 12x7x5 mm	PAVONI	FOR STEAM/WATER TAPS - PER RUBINETTI VAPORE/ACQUA
2	1186311	∅ 13x4x4 mm	MANY BRANDS - MOLTI MARCHI	SEVERAL APPLICATIONS - MOLTE APPLICAZIONI





**O-RING GASKETS THICKNESS 2.62 mm**

**2.62 mm**



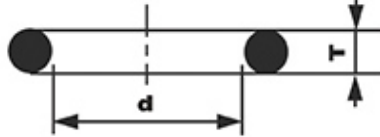
Dimensions (mm) T x d	Model (new cross-references)	Model (old cross-references)	LF Code	LF Code	LF Code	LF Code	LF Code
			(EPDM)	(VITON) STANDARD	(SILICONE) RED	(VITON) MIX COLOR	(SILICONE) MIX COLOR
2.62 x 6.02	OR 03024		3786668		1786137		
2.62 x 7.59	OR 03030		1186358	1786155	1786280	1786197	
2.62 x 9.13	OR 0109	OR 0109	1186255	5029740	1186910		3186608
2.62 x 9.19	OR 03037	OR 0111	3186340	1786202			
2.62 x 9.92	OR 0112	OR 0112	1186304		1786049	1186879	1186914
2.62 x 10.78	OR 03043	OR 0113	1186318		3786719	1186236	
2.62 x 11.91	OR 0115	OR 0115	1186805	1186709	1186745		
2.62 x 12.37	OR 03050	OR 0116	3060608	3090132	1186458		
2.62 x 13.10	OR 0117	OR 0117	3243086		1186085		1786234
2.62 x 13.95	OR 03056	OR 0118	3186860		1186762		
2.62 x 15.08	OR 0119	OR 0119	1186414	1186714	3523062		
2.62 x 15.88	OR 0121	OR 0121	3186434	1186246			
2.62 x 17.13	OR 03068	OR 0122	3186181	1786276	1186850		
2.62 x 17.86	OR 0123	OR 0123	3186287		1186000		1199001
2.62 x 18.72	OR 03075	OR 0124	1186356		5059295		
2.62 x 20.24	OR 03081	OR 0127	1186327	5039864	1186026		1186053
2.62 x 20.63	OR 0128	OR 0128	3186183	1186591		1786300	
2.62 x 21.89	OR 03087		1786233		1186796		
2.62 x 22.22	OR 0130	OR 0130	3186253		1186292		
2.62 x 23.47	OR 03093		1186922				
2.62 x 23.81	OR 0132	OR 0132	1186438				
2.62 x 25.07	OR 03100		1186833				
2.62 x 26.65	OR 03106		1186759			5045475	1786243
2.62 x 28.25	OR 03112		3186247	5037072			7104228
2.62 x 29.82	OR 03118		3186458				
2.62 x 31.42	OR 03125		3186244			1186930	
2.62 x 32.99	OR 03131		3186847	5029479	1186920		
2.62 x 34.60	OR 03137		3243250	1186767			
2.62 x 36.14	OR 03143		5027619				
2.62 x 39.34	OR 03156		3786183	1186184			
2.62 x 40.95	OR 03162		3243389				
2.62 x 42.52	OR 03168		3160040	1186705			
2.62 x 45.69	OR 03181		1186466				
2.62 x 47.30	OR 03187		3160044		1786313		
2.62 x 48.89	OR 03193		1186672	5055114			
2.62 x 50.47	OR 03200		3186245	5034849		1186948	
2.62 x 53.65	OR 03212		3060038		1186847		
2.62 x 58.42	OR 03231		3186455		1199075		
2.62 x 60.00	OR 03237		3243166				
2.62 x 61.60	OR 03243		3122252				
2.62 x 63.17	OR 03250		3186315				
2.62 x 64.77	OR 03256		1786203	1786153			
2.62 x 67.95	OR 03268		3186248				
2.62 x 71.12	OR 03281		1186625		1186405		
2.62 x 72.69	OR 03287		1186152				



Dimensions (mm) T x d	Model (new cross-references)	Model (old cross-references)	LF Code (EPDM)	LF Code (VITON) STANDARD	LF Code (SILICONE) RED	LF Code (VITON) MIX COLOR	LF Code (SILICONE) MIX COLOR
2.62 x 75.87	OR 03300		1186237	1186779			
2.62 x 78.94			3786579				
2.62 x 88.57	OR 03350		5015751		1786124		
2.62 x 94.92	OR 03375		1186605				
2.62 x 215.57	OR 03850		3786202				

## O-RING GASKETS THICKNESS 3.53 mm

3.53 mm



Dimensions (mm) T x d	Model (new cross-references)	Model (old cross-references)	LF Code (EPDM)	LF Code (VITON) STANDARD	LF Code (SILICONE) RED	LF Code (VITON) MIX COLOR	LF Code (SILICONE) MIX COLOR
3.53 x 9.12	OR 04036		6456047	2102713			
3.53 x 15.47	OR 04061		1186019		3786053		
3.53 x 17.04	OR 04067		3786519				
3.53 x 18.64	OR 04075	OR 0125	1186472	1186766	3186610		
3.53 x 20.22	OR 04081	OR 0126	1186238	2111463	1186009		
3.53 x 21.82	OR 04087	OR 0129	1186630	4059475			
3.53 x 23.40	OR 04093	OR 0131	3186143	5028161	1786050		
3.53 x 26.58	OR 04106	OR 0135	1186231		1786119		
3.53 x 28.17	OR 04112	OR 0136	1186480	3786008	1786018		1186869
3.53 x 29.75	OR 04118	OR 0137	3243142	1786167	1186874	1186790	1786199
3.53 x 31.34	OR 04125	OR 0138	1186506		1186010		
3.53 x 32.93	OR 04131	OR 0139	1186655	3186580	1786210	1786098	
3.53 x 34.52	OR 04137	OR 0140	3061040		1186990	1186403	1186963
3.53 x 36.10	OR 04143	OR 0141	3186338		1786118		
3.53 x 37.69	OR 04150	OR 0142	3186197	5034986	1186905		1786168
3.53 x 39.69	OR 0144	OR 0144	3186606		1786099		1186947
3.53 x 40.86	OR 04162		3067198	40C6450	5039021		
3.53 x 41.28	OR 0146	OR 0146	3186238	1186798			
3.53 x 42.86	OR 0147	OR 0147	3186184	1786117	1786140		
3.53 x 44.04	OR 04175		3186175	1786152			
3.53 x 46.04	OR 0150	OR 0150	3786181				
3.53 x 47.22	OR 04187		3186290	1186190			
3.53 x 47.63	OR 0152	OR 0152	1186087			1186931	
3.53 x 49.21	OR 0153	OR 0153	3786454	5005318	1786116		
3.53 x 50.39	OR 04200		3186601	3786459	4006406		
3.53 x 50.80	OR 0155	OR 0155	3316031		1186503	1786311	
3.53 x 53.57	OR 04212		1186643			5501390	
3.53 x 55.56	OR 0159	OR 0159	3186697	1186715			
3.53 x 56.74	OR 04225		1186799				
3.53 x 57.15	OR 0161	OR 0161	1186198	1786292			
3.53 x 58.74	OR 0162	OR 0162	1186199	1786287			
3.53 x 59.92	OR 04237		3316110				
3.53 x 60.33	OR 0164	OR 0164	1186230	1786011			
3.53 x 63.09	OR 04250		1186022				
3.53 x 63.50	OR 0167	OR 0167	3186454		1786298		
3.53 x 65.09	OR 0168	OR 0168	1186645				
3.53 x 68.26	OR 0171	OR 0171	1186763				
3.53 x 69.44	OR 04275		5022973		1786209		



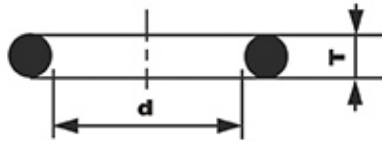
# GAGGIA



Dimensions (mm) T x d	Model (new cross-references)	Model (old cross-references)	LF Code (EPDM)	LF Code (VITON) STANDARD	LF Code (SILICONE) RED	LF Code (VITON) MIX COLOR	LF Code (SILICONE) MIX COLOR
3.53 x 71.44	OR 0174	OR 0174	3243160				
3.53 x 73.03	OR 0176	OR 0176	1186641		1186858	1786254	
3.53 x 75.80	OR 04300		1186748		1786110		
3.53 x 78.97	OR 04312		3186271	1186698	1786268		
3.53 x 82.14	OR 04325		1186693				
3.53 x 85.32	OR 04337		1186519				
3.53 x 88.50	OR 04350		1186873				1786261
3.53 x 91.67	OR 04362		3061007				
3.53 x 94.84	OR 04375		3061011				
3.53 x 98.02	OR 04387		3186137				
3.53 x 101.20	OR 04400		3160607	5501389	1786129		
3.53 x 107.50	OR 04425		3186235			1786214	
3.53 x 110.70	OR 04437		3061016				
3.53 x 113.90	OR 04450		3186456				
3.53 x 120.20	OR 04475		3186466		1186806		
3.53 x 132.90	OR 04525		1186941				
3.53 x 136.10	OR 04537		1186708				
3.53 x 148.80	OR 04587		3122552				
3.53 x 158.30	OR 04625		3122255				
3.53 x 164.70	OR 04650		3122344				
3.53 x 183.70	OR 04725		3061037				

## O-RING GASKETS THICKNESS 5.34 mm

5.34 mm



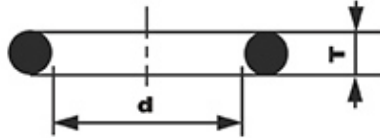
Dimensions (mm) T x d	Model (new cross-references)	Model (old cross-references)	LF Code (EPDM)	LF Code (VITON) STANDARD	LF Code (SILICONE) RED	LF Code (VITON) MIX COLOR	LF Code (SILICONE) MIX COLOR
5.34 x 34.29	OR 06135		1186220				
5.34 x 37.47	OR 06150	OR 0143	3186001			5018795	
5.34 x 40.65	OR 06162	OR 0145	5026454	1786272			
5.34 x 43.82	OR 06175	OR 0148	3186339		5039034		
5.34 x 47.00	OR 06187	OR 0151	3186013	5060790	3186313		
5.34 x 50.16	OR 06200	OR 0154	3186333		1786275		
5.34 x 53.34	OR 06212	OR 0157	1186673	3186241	1786273		5023642
5.34 x 56.52	OR 06225	OR 0160	3186014				3186314
5.34 x 59.69	OR 06237	OR 0163	1186932		5038239		
5.34 x 62.87	OR 06250	OR 0166	3186331				
5.34 x 66.04	OR 06262	OR 0169	1186505				
5.34 x 69.22	OR 06275	OR 0172	3160061				
5.34 x 72.39	OR 06287	OR 0175	3786685				
5.34 x 74.63	OR 0178	OR 0178	3186015		1786009		
5.34 x 75.57	OR 06300	OR 0179	5039882	1186456			
5.34 x 78.74	OR 06312	OR 0180	3010048				
5.34 x 79.77	OR 0181	OR 0181	5006335				
5.34 x 81.92	OR 06325	OR 0182	3243088				
5.34 x 85.09	OR 06337	OR 0183	3186335		1786246		
5.34 x 94.62	OR 06375	OR 0187	1786002				
5.34 x 100.00	OR 0189	OR 0189	1186749				
5.34 x 110.50	OR 06437	OR 0194	5010476				1186075



Dimensions (mm) T x d	Model (new cross-references)	Model (old cross-references)	LF Code (EPDM)	LF Code (VITON) STANDARD	LF Code (SILICONE) RED	LF Code (VITON) MIX COLOR	LF Code (SILICONE) MIX COLOR
5.34 x 120.70	OR 0201	OR 0201	3160615				
5.34 x 139.70	OR 0215	OR 0215	5052966				

## O-RING GASKETS THICKNESS 7.00 mm

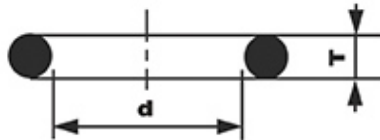
7.00 mm



Dimensions (mm) T x d	Model (new cross-references)	Model (old cross-references)	LF Code (EPDM)	LF Code (VITON) STANDARD	LF Code (SILICONE) RED	LF Code (VITON) MIX COLOR	LF Code (SILICONE) MIX COLOR
7.00 x 135.90	OR 08537	OR 0212	5050109				
7.00 x 142.20	OR 08562	OR 0216	2104555				
7.00 x 155.60	OR 0223	OR 0223	5006513				
7.00 x 183.52	OR 08725	OR 0234	5024838				
7.00 x 204.67	OR 08950	OR 0246	5026360		5029810		
7.00 x 266.07	OR 081050	OR 0250	5034088				
7.00 x 297.80	OR 081175	OR 0255	5032360				

## O-RING THICKNESS 1.78 mm

1.78 mm



Dimensions (mm) T x d	Model (new cross-references)	Model (old cross-references)	LF Code (EPDM)	LF Code (VITON) STANDARD	LF Code (SILICONE) RED	LF Code (VITON) MIX COLOR	LF Code (SILICONE) MIX COLOR
1.78 x 1.78	OR 02007		2111723				
1.78 x 2.57	OR 02010		1186163	1186746			
1.78 x 2.90	OR 02012	OR 0101	1186365		1186846	1186842	
1.78 x 3.69	OR 02015	OR 0102	1186014	1186900	1786278	1786095	1186514
1.78 x 4.48	OR 02018	OR 0103	1186421	1186755	1186861		
1.78 x 5.28	OR 02021	OR 0104	1186362	1786088	1186903	1786144	5056235
1.78 x 6.07	OR 02025	OR 0105	3243139	1186612	1186611	1786143	1486013
1.78 x 6.75	OR 0106	OR 0106	3243009	1186435	1186864		
1.78 x 7.66	OR 02031	OR 0107	1186411	1186717	1186901	1786085	
1.78 x 8.73	OR 0108	OR 0108	1186422	1186707	1186902		
1.78 x 9.25	OR 02037	OR 0110	1186803	1186088	1786087	1786267	
1.78 x 10.82	OR 02043		1186346	1786303	5008673	1186950	
1.78 x 11.11	OR 0114	OR 0114	1186626	1186730	1186877		1786075
1.78 x 12.42	OR 02050		1186352		1186366		
1.78 x 14.00	OR 02056		1186223	1786154	1786061	5037375	
1.78 x 15.60	OR 02062		1186424	1786232	1786159	1786208	
1.78 x 17.17	OR 02068		3243069	1786271		1786165	
1.78 x 18.77	OR 02075		3186440			1186933	5008687
1.78 x 20.35	OR 02081		3243266				1186373



# GAGGIA



Dimensions (mm) T x d	Model (new cross-references)	Model (old cross-references)	LF Code (EPDM)	LF Code (VITON) STANDARD	LF Code (SILICONE) RED	LF Code (VITON) MIX COLOR	LF Code (SILICONE) MIX COLOR
1.78 x 21.95	OR 02087		3243382	1786277			
1.78 x 23.52	OR 02093		1186401				
1.78 x 25.12	OR 02100		3186169				
1.78 x 26.70	OR 02106		3186343		1186863		
1.78 x 28.30	OR 02112		3186754	1186631			
1.78 x 29.87	OR 02118		5010533				
1.78 x 31.47	OR 02125		3243191	1186919	1786139		
1.78 x 33.05	OR 02131		1186003		3186317		
1.78 x 34.65	OR 02137		3243189		5060454	1186929	
1.78 x 47.35	OR 02187		7102065		3186657		
1.78 x 50.52	OR 02200		1186956				
1.78 x 60.05	OR 02237		6456037				
1.78 x 72.75	OR 02287		5059891				
1.78 x 75.92	OR 02300		1186397				
1.78 x 82.27	OR 02325		6456074				
1.78 x 88.62	OR 02350		3186232				
1.78 x 94.97	OR 02375		3122121				
1.78 x 120.37	OR 02475		3122365				
1.78 x 133.07	OR 02525		3186239				

## PINS GAGGIA



Photo	LF Code	Dimensions	Suitable for	Notes	For machine model
1	5038097	---	GAGGIA WGARB0711	FOR STEAM/WATER TAPS - PER RUBINETTI VAPORE/ACQUA	D90 - E90 - FD2000 - FE2000
2	1324158	---	GAGGIA WGARB0710	FOR STEAM/WATER TAPS - PER RUBINETTI VAPORE/ACQUA	D90 - E90 - FD2000 - FE2000
3	1324089	---	GAGGIA WGARB0610/02	FOR STEAM/WATER TAPS - PER RUBINETTI VAPORE/ACQUA	DECO - FD2000 - FE2000
4	1324400	---	GAGGIA WGARB0866/A	FOR STEAM/WATER TAPS - PER RUBINETTI VAPORE/ACQUA	DECO - D90 - E90
5	5027689	---	GAGGIA S3113034	FOR STEAM/WATER TAPS - PER RUBINETTI VAPORE/ACQUA	G105 - G106

## PINS GAGGIA



Photo	LF Code	Dimensions	Suitable for	Notes	For machine model
1	1324092	---	GAGGIA S3140463	FOR BREW GROUPS - PER GRUPPI EROGAZIONE	G105 - G106
2	1324159	∅ 5x20.5 mm	GAGGIA WGARB0844	FOR INLET TAPS - PER RUBINETTI CARICO	GE - GD - DECO

## PIPES GAGGIA



Photo	LF Code	Notes	Suitable for	For machine model
1	5027687	∅ 8 mm - 115 mm	GAGGIA S326002	G105 - G106
2	1449122	---	GAGGIA S3421128	G105 - G106

## PLASTIC WATER FILTERS



Photo	LF Code	Suitable for
1	1160026	GAGGIA - SAECO
2	1160083	DELONGHI
3	1160003	SPINEL
4	5047592	BEZZERA

## PRECISION COFFEE FILTERS GAGGIA



Photo	LF Code	Model	Suitable for	Notes
1	1460105	1 CUP - 6/9 gr - H24.5	GAGGIA	---
2	1460106	2 CUPS - 12/18 gr - H24.5	GAGGIA	---
3	1460107	2 CUPS - 16/22 gr - H26.5	GAGGIA	---

Filtri progettati per ottenere la perfetta estrazione del caffè , acciaio Aisi 316 , certificati alimentare





## PRECISION SHOWER SCREENS GAGGIA



1

Photo	LF Code	Dimensions	Membrane	Suitable for	For machine model
1	1081103	∅ 55 mm	200 µM	GAGGIA	DECO - D90 - E90 - GD - GE - LCD - TS - XD - XE

Docce progettate per ottenere la perfetta estrazione del caffè , acciaio Aisi 316 , certificate alimentare

## PRESSURE GAUGES GAGGIA



1

2

3

4

5

Photo	LF Code	Scale (bar)	Dimensions A - B - C (mm)	Suitable for	For machine model
1	1245071	0÷3	39 - 44 - 1/8	GAGGIA DM1600	TD - TE - TN94 - XD - XE
2	1245069	0÷15	39 - 44 - 1/8	GAGGIA DM1599	TD - TE - XD - XE
3	1245056	0÷3	41 - 44 - 1/8	GAGGIA DM1600/002	FD2000 - FE2000 - TS
4	1245055	0÷3	41 - 44 - 1/8	GAGGIA 5024005000	DECO - D90 - E90 - XD - XE
5	1245061	0÷15	41 - 44 - 1/8	GAGGIA 5024004000	DECO - XD - XE

## PRESSURE SWITCHES MA-TER



1

2

3

4

Photo	LF Code	Model	Scale (bar)	Suitable for	For machine model
1	1320012	XP110 - 16A 250V - 1/4"	0.5÷1.5 (1.0)	---	---
3	1320546	XP110 -15A 250V - 1/8"	0.5÷1.2	ASTORIA/CMA 20155	CK - CKE - CKX - CKXE
3	1320022	XP110 -15A 250V - 1/4"	1.0÷2.5	BEZZERA 7433009	BZ02 - BZ35 - BZ99
4	1320536	XP200A -16A 250V - 1/4"	0.5÷1.5	CARIMALI 96.00210	---
3	1320026	XP110 -15A 250V - 1/4"	0.5÷1.5	ECM C199900294	GIOTTO - VENEZIANO
3	1320026	XP110 -15A 250V - 1/4"	0.5÷1.5	ECM MANUFACTURE C199900294	ELEKTRONIKA II PROFI - MECHANIKA
3	1320545	XP110 - 15A 250V - 1/4"	0.5÷1.2	ELEKTRA 01344035	MICROCASA
3	1320003	XP110 - 21A 250V - 1/4"	0.5÷1.2	FIorenzato CS A2100051	BRICOLETTA - DUCALE
3	1320022	XP110 -15A 250V - 1/4"	1.0÷2.5	GAGGIA 5008001000	GDCOMPACT - GECOMPACT - TS
2	1320002	XP71 ECHO - 16A 250V - 1/4"	0.5÷1.2	GAGGIA S451308	G105 - G106
3	1320027	XP110 - 15A 250V - 1/4"	1.0÷2.5	ISOMAC IS000109	MILLENNIUM - MONDIALE
3	1320545	XP110 - 15A 250V - 1/4"	0.5÷1.2	ISOMAC 451306	MILLENNIUM - MONDIALE - TEA

Photo	LF Code	Model	Scale (bar)	Suitable for	For machine model
2	1320002	XP ECHO - 16A 250V - 1/4"	0.5÷1.2	PAVONI 451308	EUROPICCOLA - PROFESSIONAL - ROMANTICA
3	1320545	XP110 - 15A 250V - 1/4"	0.5÷1.2	PAVONI 451306	PUB
3	1320023	XP110 -21A 250V - 1/4"	0.5÷1.5	VIBIEMME ELETPREDSUKIR	DOMOBAR - DOMOBARSUPER
3	1320546	XP110 -15A 250V - 1/8"	0.5÷1.2	WEGA WY20155	ATLAS - COMBI NOVA - FORMULA MILANO - JUNIOR

## PRESSURE SWITCHES PARKER



1

Photo	LF Code	Model	Scale (bar)
1	1320541	PS325-1C - 3 POLES - 20A - 1/4"	0.5÷1.4

## PRESSURE SWITCHES SIRAI



1



2



3

Photo	LF Code	Model	Scale (bar)
1	1320531	P302/6 - 3 POLES - 30A - 1/4"	0.5÷1.4
2	1320533	P302/6	---
3	1320800	P203T01 - 2 POLES - 20A - 1/4"	0.5÷1.4
3	1320801	P203T02 - 2 POLES - 20A - 1/4"	0.9÷1.7
3	1320802	P303T01 - 3 POLES - 20A - 1/4"	0.5÷1.4
3	1320803	P303T02 - 3 POLES - 20A - 1/4"	0.9÷1.7

## PROTECTIVE RUBBERPIECES



1



2



3



4



5

Photo	LF Code	For pipe ø (mm)	Suitable for
1	1186398	8	NUOVA SIMONELLI
1	5030025	10	NUOVA SIMONELLI - SANREMO
2	1187501	8	ALL BRANDS - TUTTE LE MARCHE
2	1186924	10	CASADIO - CIMBALI - FAEMA - FIAMMA
3	1186180	10	ALL BRANDS - TUTTE LE MARCHE
4	1549009	8	ASTORIA/CMA - MCE - WEGA
5	1549011	10	CIMBALI - FAEMA



## PROTECTIVE RUBBERPIECES



Photo	LF Code	For pipe $\varnothing$ (mm)	Suitable for
1	1186339	8	ALL BRANDS - TUTTE LE MARCHE
1	1186080	10	ALL BRANDS - TUTTE LE MARCHE
2	1549020	10	GAGGIA
3	1187001	10	SPAZIALE
4	1449172	8	ASTORIA/CMA - ELEKTRA - MARZOCCO - WEGA
5	1649001	10	FRACINO
6	1649002	8	CARIMALI

## PTFE FLAT GASKETS



LF Code	Dimensions	Suitable for	Notes
5500622	$\varnothing$ 6x1.8x2 mm	SAECO	FOR STEAM/WATER TAPS - PER RUBINETTI VAPORE/ACQUA
1186718	$\varnothing$ 7x5x1 mm	SPAZIALE	FOR HIDRAULIC SYSTEM - PER IMPIANTO IDRAULICO
1186974	$\varnothing$ 8.5x4.5x1.5 mm	CIMBALI - CASADIO	FOR MANOMETER - PER MANOMETRO
1786291	$\varnothing$ 9.5x6x2 mm	VIBIEMME	FOR BREW GROUPS - PER GRUPPI EROGAZIONE
1186099	$\varnothing$ 10x6x1 mm	BEZZERA - BIANCHI - BRASILIA	FOR BREW GROUPS - PER GRUPPI EROGAZIONE
1186099	$\varnothing$ 10x6x1 mm	PAVONI - RENEKA	FOR BREW GROUPS - PER GRUPPI EROGAZIONE
1186434	$\varnothing$ 10x7x0.5 mm	FAEMA	FOR BREW GROUPS - PER GRUPPI EROGAZIONE
1186359	$\varnothing$ 11.4x8x3 mm	CIMBALI	FOR INLET TAPS - PER RUBINETTI CARICO
1186809	$\varnothing$ 12x9x1 mm	FIAMMA - RANCILIO	FOR BREW GROUPS - PER GRUPPI EROGAZIONE
1186121	$\varnothing$ 12x10x0.5 mm	FAEMA	FOR STEAM/WATER TAPS - PER RUBINETTI VAPORE/ACQUA
1186065	$\varnothing$ 12x10x1 mm	BRASILIA - FIORENZATO - VIBIEMME	FOR STEAM/WATER TAPS - PER RUBINETTI VAPORE/ACQUA
1186908	$\varnothing$ 12x10x2 mm	SAECO	---
1186581	$\varnothing$ 13x3x4 mm	AZKOYEN	---
1186661	$\varnothing$ 13x15.5x1 mm	BRASILIA	FOR STEAM/WATER TAPS - PER RUBINETTI VAPORE/ACQUA
1186945	$\varnothing$ 14x10x1.5 mm	CIMBALI	FOR BOOSTER PUMPS - PER POMPE VOLUMETRICHE
1186794	$\varnothing$ 14.6x12x3 mm	PROMAC	FOR STEAM/WATER TAPS - PER RUBINETTI VAPORE/ACQUA
1186189	$\varnothing$ 15x11x2 mm	ASTORIA/CMA	FOR BREW GROUPS - PER GRUPPI EROGAZIONE
3186273	$\varnothing$ 16.5x12.5x1.5 mm	---	---
1186240	$\varnothing$ 17x12x0.5 mm	FAEMA	FOR BREW GROUPS - PER GRUPPI EROGAZIONE
1186468	$\varnothing$ 17x12x1.5 mm	PAVONI - GAGGIA	---
1186982	$\varnothing$ 17x13x2 mm	GRIMAC	FOR BOILER SAFETY VALVES - PER VALVOLA BOILER
1186982	$\varnothing$ 17x13x2 mm	PAVONI	FOR BREW GROUPS - PER GRUPPI EROGAZIONE
1186982	$\varnothing$ 17x13x2 mm	VIBIEMME	FOR LEVEL CAPS - PER TAPPO LIVELLO
1186079	$\varnothing$ 17x13x3 mm	BRASILIA	FOR BREW GROUPS - PER GRUPPI EROGAZIONE
1186119	$\varnothing$ 17.3x12x2 mm	CONTI	FOR BREW GROUPS - PER GRUPPI EROGAZIONE
1186030	$\varnothing$ 18x3.5x1 mm	EXPOBAR	FOR BREW GROUPS - PER GRUPPI EROGAZIONE
1186443	$\varnothing$ 18x9x0.5 mm	RANCILIO - PROMAC	FOR STEAM/WATER TAPS - PER RUBINETTI VAPORE/ACQUA



# GAGGIA



LF Code	Dimensions	Suitable for	Notes
1186404	∅ 18x13x2 mm	MANY BRANDS - MOLTI MARCHI	SEVERAL APPLICATIONS - MOLTE APPLICAZIONI
1786301	∅ 18x13.5x2 mm	FIAMMA	---
1786166	∅ 18x14x1.5 mm	CIMBALI - CASADIO	FOR BOILER SAFETY VALVES - PER VALVOLA BOILER
1786040	∅ 18.2x13x2.5 mm	EXPOBAR	---
1786251	∅ 19x14.5x2 mm	CARIMALI	FOR BREW GROUPS - PER GRUPPI EROGAZIONE
1786001	∅ 20x13x3 mm	---	---
1186959	∅ 20x15x1 mm	CIMBALI - FAEMA	---
1186594	∅ 20x17x2 mm	BRASILIA	FOR INLET TAPS - PER RUBINETTI CARICO
1186594	∅ 20x17x2 mm	ORCHESTRALE	FOR STEAM/WATER TAPS - PER RUBINETTI VAPORE/ACQUA
1186594	∅ 20x17x2 mm	SANREMO	FOR BREW GROUPS - PER GRUPPI EROGAZIONE
1186201	∅ 21x16.8x2 mm	MANY BRANDS - MOLTI MARCHI	SEVERAL APPLICATIONS - MOLTE APPLICAZIONI
3786036	∅ 22x9x1 mm	---	---
1186326	∅ 22x16x2 mm	MANY BRANDS - MOLTI MARCHI	SEVERAL APPLICATIONS - MOLTE APPLICAZIONI
1186957	∅ 22x17x1.5 mm	CIMBALI - CASADIO	FOR STEAM/WATER TAPS - PER RUBINETTI VAPORE/ACQUA
1186314	∅ 22x17x2 mm	MANY BRANDS - MOLTI MARCHI	SEVERAL APPLICATIONS - MOLTE APPLICAZIONI
3186609	∅ 24x13x1.5 mm	---	---
1186323	∅ 24x18x2 mm	MANY BRANDS - MOLTI MARCHI	SEVERAL APPLICATIONS - MOLTE APPLICAZIONI
1186731	∅ 24x19x2 mm	FIorenzato - MARZOCCO - VIBIEMME	FOR STEAM/WATER TAPS - PER RUBINETTI VAPORE/ACQUA
1786250	∅ 24x20x1.5 mm	CARIMALI	FOR BREW GROUPS - PER GRUPPI EROGAZIONE
3186278	∅ 25x16.5x0.5 mm	---	---
1186969	∅ 25x21x1.5 mm	CIMBALI - CASADIO	FOR FILTER - PER FILTRO
1786283	∅ 25.5x21x5 mm	VIBIEMME	FOR BREW GROUPS - PER GRUPPI EROGAZIONE
3786502	∅ 25.7x21.2x5 mm	EXPOBAR	---
1186516	∅ 26x17x2 mm	SPAZIALE	FOR HEATING ELEMENTS - PER RESISTENZE
1186118	∅ 26x19x2 mm	FIorenzato	FOR STEAM/WATER TAPS - PER RUBINETTI VAPORE/ACQUA
1186117	∅ 26x21x2 mm	MANY BRANDS - MOLTI MARCHI	SEVERAL APPLICATIONS - MOLTE APPLICAZIONI
1186537	∅ 26x22x2 mm	EXPOBAR	FOR BREW GROUPS - PER GRUPPI EROGAZIONE
1186537	∅ 26x22x2 mm	PAVONI	FOR BREW GROUPS - PER GRUPPI EROGAZIONE
1186127	∅ 27x20x0.5 mm	FAEMA	FOR INLET TAPS - PER RUBINETTI CARICO
1186248	∅ 27x20x1 mm	CASADIO	FOR BREW GROUPS - PER GRUPPI EROGAZIONE
1186248	∅ 27x20x1 mm	FAEMA	FOR STEAM/WATER TAPS - PER RUBINETTI VAPORE/ACQUA
1186290	∅ 27x21x2 mm	SAN MARCO	FOR BREW GROUPS - PER GRUPPI EROGAZIONE
1186281	∅ 28x23x2 mm	PAVONI	FOR STEAM/WATER TAPS - PER RUBINETTI VAPORE/ACQUA
1186281	∅ 28x23x2 mm	SAN MARCO	FOR BREW GROUPS - PER GRUPPI EROGAZIONE
1186770	∅ 33x28x4 mm	ASTORIA/CMA	FOR BREW GROUPS - PER GRUPPI EROGAZIONE
1186361	∅ 34x27x2 mm	SAN MARCO	FOR BREW GROUPS - PER GRUPPI EROGAZIONE
3186665	∅ 35x21x2 mm	---	---
1186328	∅ 35x30x2 mm	MANY BRANDS - MOLTI MARCHI	SEVERAL APPLICATIONS - MOLTE APPLICAZIONI
1186307	∅ 36x30x2 mm	MANY BRANDS - MOLTI MARCHI	SEVERAL APPLICATIONS - MOLTE APPLICAZIONI
3786512	∅ 40x34x3 mm	CONTI	---
1186993	∅ 42x33x3 mm	BEZZERA	FOR HEATING ELEMENTS - PER RESISTENZE
1186243	∅ 42x34x0.5 mm	FAEMA	FOR BREW GROUPS - PER GRUPPI EROGAZIONE
1186608	∅ 50x40x2 mm	ASTORIA/CMA - SAN MARCO - SPAZIALE	FOR HEATING ELEMENTS - PER RESISTENZE
1186994	∅ 50x40x5.5 mm	SAN MARCO	FOR BREW GROUPS - PER GRUPPI EROGAZIONE
1186800	∅ 50x44x4 mm	FIorenzato - VIBIEMME	FOR BREW GROUPS - PER GRUPPI EROGAZIONE
1186979	∅ 52x40x2 mm	EXPOBAR	FOR HEATING ELEMENTS - PER RESISTENZE
1186979	∅ 52x40x2 mm	QUICK MILL	FOR HEATING ELEMENTS - PER RESISTENZE
1186623	∅ 53x43x3 mm	MANY BRANDS - MOLTI MARCHI	FOR HEATING ELEMENTS - PER RESISTENZE
3743110	∅ 57x41x2 mm	---	---
1186179	∅ 57x43x3 mm	MANY BRANDS - MOLTI MARCHI	FOR HEATING ELEMENTS - PER RESISTENZE
1186194	∅ 58x43x2 mm	ASTORIA/CMA - ORCHESTRALE	FOR HEATING ELEMENTS - PER RESISTENZE
1186609	∅ 58x51x2 mm	CIMBALI	FOR HEATING ELEMENTS - PER RESISTENZE
1186639	∅ 62x51x2 mm	SPAZIALE	FOR HEATING ELEMENTS - PER RESISTENZE
1186455	∅ 65x47x1.5 mm	RANCILIO - PROMAC	FOR HEATING ELEMENTS - PER RESISTENZE
1186409	∅ 68x55x3 mm	NUOVA SIMONELLI	FOR HEATING ELEMENTS - PER RESISTENZE
1186188	∅ 72x61x2 mm	ASTORIA/CMA	FOR HEAT EXCHANGES - PER SCAMBIATORE
1186297	∅ 73x61x3 mm	---	---
1186155	∅ 76x68.4x3 mm	CONTI	FOR HEATING ELEMENTS - PER RESISTENZE
1786213	∅ 85x70x2 mm	---	---



**RELAYS GAGGIA**



1

Photo	LF Code	Features	Suitable for	For machine model
1	1351021	G7L-2A-TUB 25A 240V	GAGGIA WGADM2122	GE - XE

**ROTARY VANE PUMPS PROCON**



1



2



3



4



5

Photo	LF Code	Flow rate (l/h)	Connections (ø)	Suitable for
1	1330012	200	3/8" NPT	ALL BRANDS - TUTTE LE MARCHE
1	1330024	100	3/8" NPT	PAVONI
1	1330019	100	3/8" NPT	CIMBALI - FAEMA - SPAZIALE
2	1330016	200	3/8" NPT	ALL BRANDS - TUTTE LE MARCHE
3	1330033	180	3/8"	CASADIO - CIMBALI - FAEMA
4	1330011	200	3/8" NPT	FAEMA
5	1330017	150	3/8"	CASADIO - CIMBALI - FAEMA

**ROTARY VANE PUMPS ROTOFLOW**



1



2



3



4



5



6

Photo	LF Code	Flow rate (l/h)	Connections (ø)	Suitable for
1	1330021	50	3/8"	ALL BRANDS - TUTTE LE MARCHE
1	1330034	70	3/8"	ALL BRANDS - TUTTE LE MARCHE
1	1330008	150	3/8"	ALL BRANDS - TUTTE LE MARCHE
1	1330026	200	3/8"	ALL BRANDS - TUTTE LE MARCHE
1	1330001	100	3/8" NPT	ALL BRANDS - TUTTE LE MARCHE
1	1330029	150	3/8" NPT	ALL BRANDS - TUTTE LE MARCHE
1	1330002	200	3/8" NPT	ALL BRANDS - TUTTE LE MARCHE
1	1330101	100	3/8" NPT ECO BRASS	ALL BRANDS - TUTTE LE MARCHE
1	1330102	200	3/8" NPT ECO BRASS	ALL BRANDS - TUTTE LE MARCHE
1	1330030	200	3/8"	RANCILIO 10705960
2	1330025	70	3/8"	ALL BRANDS - TUTTE LE MARCHE
2	1330004	100	3/8" NPT	ALL BRANDS - TUTTE LE MARCHE
3	1330022	50	3/8"	ALL BRANDS - TUTTE LE MARCHE



Photo	LF Code	Flow rate (l/h)	Connections (ø)	Suitable for
3	1330005	100	3/8"	ALL BRANDS - TUTTE LE MARCHE
3	1330122	50	3/8" ECO BRASS	ALL BRANDS - TUTTE LE MARCHE
4	1330031	150	3/8"	CASADIO - CIMBALI - FAEMA
5	1330003	200	3/8" NPT	FAEMA - GRIMAC
6	1330006	200	3/8"	UNIC

## SELECTOR SWITCHES GAGGIA



Photo	LF Code	Positions number	Contact capacity	Suitable for	For machine model
1	3057296	0-3	32A 690V	GAGGIA WGADM1944	DECO - GD - GE - TD - TE - TN94 - XD - XE
2	1319066	0-3	36A 660V	GAGGIA DM1267	D90 - E90

## SHOWER HOLDER SPRAYER GAGGIA



Photo	LF Code	Dimensions (external-height-hole)	Suitable for	For machine model
1	1086509	ø 57 mm - 14 mm - M5	GAGGIA WGA16G1002	DECO - D90 - E90 - GD - GE - LCD - TS - XD - XE
2	5047151	ø 58 mm - H 14.5 mm - M5	GAGGIA DY0036/A	ACHILLE - CAREZZA - CLASSIC - NEWBABY06

## SHOWER SCREENS GAGGIA



Photo	LF Code	Dimensions	Suitable for	For machine model
1	1081058	ø 49.0 mm	GAGGIA 123741421	CAREZZA - GRANGAGGIA
2	1081022	ø 51.5 mm	GAGGIA	BABY - NEWBABY
3	1081020	ø 54.0 mm	GAGGIA S327115	G105 - G106
4	1081063	ø 54.5 mm	GAGGIA DM0704	BABY - CAREZZA - CLASSIC - EVOLUTION - NEWBABY
5	1081021	ø 55.0 mm	GAGGIA WGADM0269	DECO - D90 - E90 - GD - GE - LCD - TS - XD - XE





# GAGGIA



## SPACERS



Photo	LF Code	Dimensions (mm)	Material
1	1190101	∅ 64x53x0.7	PAPER/CARTA
1	1190021	∅ 66x58x0.8	PAPER/CARTA
1	1190006	∅ 69x57x0.8	PAPER/CARTA
1	1190005	∅ 70x57x0.5	PAPER/CARTA
1	1190051	∅ 70x57x0.8	PAPER/CARTA
1	1190011	∅ 72x58x0.8	PAPER/CARTA
1	1190001	∅ 73x59x0.8	PAPER/CARTA
2	1190007	∅ 64x53x1.0	EPDM
2	1190003	∅ 70x57x1.0	EPDM
2	1190002	∅ 73x59x1.0	EPDM
3	1190004	∅ 71x58x0.6	VITON

## SPECIFIC COUPLINGS GAGGIA



Photo	LF Code	Dimensions	Notes	Suitable for	For machine model
1	1349014	∅ 1/2"M-1/2"M	FOR BOILERS - PER CALDAIE	GAGGIA WGA8001010000	GD - GE
2	1349098	---	FOR BOILERS - PER CALDAIE	GAGGIA 4332024000	NEWBABY06

## SPECIFIC SPOUTS - VARIOUS BRANDS



Photo	LF Code	Connection (∅)
1	1022032	3/8
2	1022059	3/8
3	1022505	3/8
4	1022550	3/8
5	1022099	3/8

## SPECIFIC SPOUTS SAECO-GAGGIA



Photo	LF Code	Colour	Suitable for	For machine model
1	1022011	GREY - GRIGIO	SAECO 0360.A03.710	MAGIC
2	1022014	GREY - GRIGIO	SAECO 0347.A03.710	ROYAL
3	1022017	BLACK - NERO	SAECO 0327.A07.050	MAGICCOMFORT
4	1022056	GREY - GRIGIO	SAECO 0327.A07.680	MAGICROMA
5	1022057	BLUE - BLU	SAECO 0327.A07.760	ROYALPROFESSIONAL
6	5059608	BLUE - BLU	SAECO 0333.A03.760	ROYALOFFICE

## SPRINGS GAGGIA

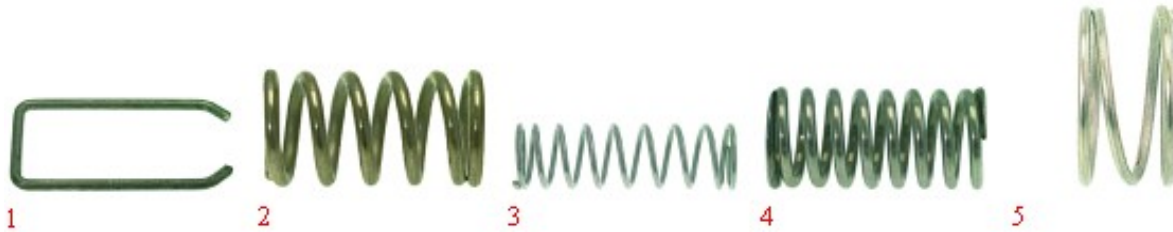


Photo	LF Code	Dimensions	Notes	Suitable for	For machine model
1	1250206	---	FOR STEAM/WATER TAPS - PER RUBINETTI VAPORE/ACQUA	GAGGIA RB0816	FD2000 - FE2000 - TD - TE
2	1250534	∅ 12x22 mm	FOR WATER/STEAM PIPES - PER TUBI ACQUA/VAPORE	GAGGIA WGARB0882	DECO - FD2000 - FE2000
3	1250536	∅ 13x42 mm	FOR INLET TAPS - PER RUBINETTI CARICO	GAGGIA WGA40010890	DECO - GD - GE
4	1250181	∅ 14.5x28 mm	FOR STEAM/WATER TAPS - PER RUBINETTI VAPORE/ACQUA	GAGGIA 66.90.91.33	TELL
5	1250417	∅ 26x14 mm	FOR WATER/STEAM PIPES - PER TUBI ACQUA/VAPORE	GAGGIA WGARB0693	D90 - E90 - TD - TE

## STEAM-WATER PIPES GAGGIA



Photo	LF Code	Notes	Suitable for	For machine model
1	1549021	∅ 10 mm - 275 mm	GAGGIA 11011247	GE - GD - GEONE - GDONE
2	1549019	∅ 10 mm - 275 mm	GAGGIA 11006178	DECO
3	1449847	---	GAGGIA	XE - XD
4	1549018	∅ 6 mm	GAGGIA 7008003000	TS
5	1449846	---	GAGGIA 41.90.91.12	TELL
6	1549017	∅ 8 mm - 360 mm	GAGGIA RB0856/A	D90 - E90



## STEAM-WATER PIPES GAGGIA



Photo	LF Code	Notes	Suitable for	For machine model
1	1549022	∅ 8 mm	GAGGIA RB0867/A	D90 - E90
2	1449332	---	GAGGIA 11004974	DECO
3	1449317	---	GAGGIA WGA5001005000	DECO
4	5047884	82 mm	GAGGIA 227431321	ACHILLE - TITANIUMSILVER
5	5047887	82 mm	GAGGIA 8301006000	CLASSIC - ESPRESSO - ESPRESSODELUXE - NEWBABY
6	1449174	---	GAGGIA 4332049000	NEWBABY06 - NEWESPRESSO06

## STEAM-WATER TAPS GAGGIA



Photo	LF Code	Suitable for	For machine model
1	1348600	GAGGIA WGA8001027000	GD - GE
2	1348483	GAGGIA RB0740/A	DECO - D90 - E90 - LCD - TS - XD - XE
3	1348116	GAGGIA B0153/A	BABY89 - BABY91 - NEWBABY - NEWBABYDOSATA
4	5038340	GAGGIA EF0045/01/A	CLASSIC
5	1348114	GAGGIA EF0097/A	COFFE97 - ESPRESSO - ESPRESSODELUXE - EVOLUTION
6	1348085	GAGGIA 11003733	TITANIUM

## STEAM-WATER TAPS GAGGIA



Photo	LF Code	Suitable for	For machine model
1	1439026	GAGGIA WGARB0721	DECO - FD2000 - FE2000 - GD - GE - TD - TE - TN94 - TS
2	1548003	GAGGIA RB0738	D90 - E90
3	1548004	GAGGIA 4008036000	GDONE - GEONE - TS



## SWITCHES GAGGIA



Photo	LF Code	Notes	Suitable for	For machine model
1	3319016	SWITCH - INTERRUTTORE / 16A 250V	GAGGIA 5008002000	TS
2	1319527	SWITCH - INTERRUTTORE / 16A 250V	GAGGIA DM1362/RO	E90 - TE - TS - XE
3	3319944	SWITCH - INTERRUTTORE / 16A 250V	GAGGIA S435061	G105 - G106
4	1319128	SWITCH - INTERRUTTORE / 16A 250V	GAGGIA S435063	G105 - G106
5	1319330	SWITCH - INTERRUTTORE / 16A 250V	GAGGIA DM1477	ESPRESSO - ESPRESSODELUXE

## SWITCHES GAGGIA



Photo	LF Code	Notes	Suitable for	For machine model
1	1319252	PUSH BUTTON - PULSANTE / 16A 250V	GAGGIA DM1160/220	BABY - DANDY
2	1319251	PUSH BUTTON - PULSANTE / 16A 250V	GAGGIA DM1172/220	BABY - DANDY
3	1319379	SWITCH - INTERRUTTORE / 16A 250V	GAGGIA 5301004020	NEWBABY
4	3319948	SWITCH - INTERRUTTORE / 16A 250V	GAGGIA WGADM2104	DECO - GD - GE - XD - XE
5	1319323	---	GAGGIA DM1475	CLASSIC

## SWITCHES GAGGIA



Photo	LF Code	Notes	Suitable for	For machine model
1	3319920	SWITCH - INTERRUTTORE / 16A 250V	GAGGIA 5024008000	XE
2	3319921	SWITCH - INTERRUTTORE / 16A 250V	GAGGIA 5024006000	XE
3	1319082	PUSH BUTTON - PULSANTE / 16A 250V	GAGGIA 5024003000	DECO - XD - XE
4	1319319	SWITCH - INTERRUTTORE / 16A 250V	GAGGIA 5332002000	NEWBABY06
5	1319377	SWITCH - INTERRUTTORE / 16A 250V	GAGGIA 5332003000	NEWBABY06



## SWITCHES GAGGIA



Photo	LF Code	Notes	Suitable for	For machine model
1	1319542	SWITCH - INTERRUTTORE / 16A 250V	GAGGIA WGA5001001000	GD - GE
2	1319381	SWITCH - INTERRUTTORE / 16A 250V	GAGGIA 5337002000	NEWESPRESSO06
3	1319544	SWITCH - INTERRUTTORE / 16A 250V	GAGGIA WGA5302001000	EVOLUTION - GE - VIVAGAGGIA
4	1319547	PUSH BUTTON - PULSANTE / 16A 250V	GAGGIA WGA5001009000	GD
5	1319376	SWITCH - INTERRUTTORE / 16A 250V	GAGGIA 5332004000	NEWBABY06 - NEWESPRESSO06

## THERMOSTATS



Photo	LF Code	Features	Suitable for	For machine model
1	1444048	153°C	GAGGIA 5008006000	TS
2	1444002	177°C	ELEKTRA 02789035	MICROCASA - SIXTIES
3	5047881	170°C	CASADIO 531194710	DIECIA - DIECIS - VENTI
3	5047881	170°C	CIMBALI 531-194-710	CIMBALI M24 - M39TE
4	5039982	85°-135°C	VICTORIA ARDUINO 40901001	VENUSFAMILY
5	1444049	TR/86	VIBIEMME ELETTEDOMJU2B	DOMOBAR - DOMOBARJUNIOR

## THERMOSTATS



Photo	LF Code	Features	Suitable for	For machine model
1	5024998	147°C	PAVONI 436042	BAR
2	3444142	150°C	BEZZERA 7434001	B2000 - ELLISSE
2	3444142	150°C	FAEMA 3231133006	E91 - E92 - E97 - E98 - DUE - SMART
1	1444509	169°C	ASTORIA/CMA 20300015	PLUS4YOU
1	1444509	169°C	CARIMALI 95.01594	ETABETAV2 - E9 ESPRESSO - KIKKO - KIKKO2 - TEMA STYLE
1	1444509	169°C	CASADIO 531193100	DODICI
1	1444509	169°C	CIMBALI 531-193-100	M20 - M21 - M27 - M28 - M29 - M30 - M31 - M32 - M39
1	1444509	169°C	ELEKTRA 02790035	CLASSIC - MODERN - SIXTIES
1	1444509	169°C	FAEMA 531193100	DUE SMART - ELITE - EMBLEMA - ENOVA - E61 - E98 COMPACT
1	1444509	169°C	FIorenzato CS A1400032	PIAZZASANMARCO





Photo	LF Code	Features	Suitable for	For machine model
1	1444509	169°C	FUTURMAT 07476906	CUSTOM - E61 - F3 - PALANCA - RIMINI
1	1444509	169°C	GAGGIA SPAGNA 07476906	BELLA - G6 - KB - NERA - PALANCA
1	1444509	169°C	ITALCREM 07476906	CAPRI - IT4 - PALANCA
1	1444509	169°C	MAIRALI 07476906	ARIANNE - GIULIETTA - PALANCA
1	1444509	169°C	MCE 20300015	START
1	1444509	169°C	ORCHESTRALE D20300015	ETNICA - PHONICA
1	1444509	169°C	PROMAC 34200095	GREEN - COMPACT - CLUB
1	1444509	169°C	SAN MARCO 108463	105 - 100 - 85 - 95 - LEVA - 105 NEW
1	1444509	169°C	SANREMO 10111015	AMALFI - CAPRI - MILANO LX - PISA - TORINO - VENEZIA
1	1444509	169°C	SPAZIALE 01477	NEW - RAPID - SELETRON - SPAZIO - SUPER 3000 - S1 VIVALDI
1	1444509	169°C	VISACREM 07476906	BRAVA - NERA - PALANCA - V6
1	1444509	169°C	WEGA WY20300015	CONCEPT
1	3444442	170°C	GAGGIA 5024007000	GD - GE - LCD - XD - XE
1	3444442	170°C	SAECO WGA5001013000	AROMA
3	1444004	187°C	CIMBALI 531-191-800	JUNIOR - M29 - M30 - M32 - M39 - M39GT
3	1444004	187°C	FAEMA 531191800	ELITE - EMBLEMA - ENOVA - E61 - E98 COMPACT - SMART
3	1444004	187°C	PROMAC 34200096	CLUB - COMPACT - GREEN
3	1444004	187°C	RANCILIO 34200096	CLASSE10 - S20
3	1444004	187°C	SANREMO 10111012	AMALFI - CAPRI - MILANO LX - PISA - TORINO - VENEZIA
3	1444004	187°C	SPAZIALE 08019	S5 COMPACT

## UNIVERSAL CONTACT THERMOSTATS



Photo	LF Code	Temperature °C
1	1443017	85
1	1444506	90
1	1443010	93
1	1444003	95
1	1443005	98
1	1443011	100
1	1443072	104
1	1443400	107
1	1443071	110
1	3443081	125
1	1443401	135
1	1443004	145
2	1443070	135
2	1444206	145
2	1443002	165
3	1443079	95
3	3443026	110
3	5027936	125
3	1443066	130
3	1444521	155
3	1443034	200
4	5027937	170
4	1443012	180
5	1443055	125
5	5035435	140
5	1443063	143
6	1443030	---





UNIVERSAL FILTER HOLDER KNOBS



Photo	LF Code	Connection	Suitable for
1	1241505	M10	ALL BRANDS - TUTTE LE MARCHE
1	1241504	M12	ALL BRANDS - TUTTE LE MARCHE
2	1241269	M10	ALL BRANDS - TUTTE LE MARCHE
2	1241169	M12	ALL BRANDS - TUTTE LE MARCHE
3	1241502	M10	ALL BRANDS - TUTTE LE MARCHE
3	1241501	M12	ALL BRANDS - TUTTE LE MARCHE

UNIVERSAL FILTER HOLDER KNOBS



Photo	LF Code	Connection	Suitable for
1	5051751	M10	ALL BRANDS - TUTTE LE MARCHE
1	5051102	M12	ALL BRANDS - TUTTE LE MARCHE
2	5054506	M10	ALL BRANDS - TUTTE LE MARCHE
2	5054505	M12	ALL BRANDS - TUTTE LE MARCHE

UNIVERSAL FILTER HOLDER KNOBS



Photo	LF Code	Connection	Suitable for
1	1141006	M10	ALL BRANDS - TUTTE LE MARCHE
1	1141007	M12	ALL BRANDS - TUTTE LE MARCHE
2	1141004	M10	ALL BRANDS - TUTTE LE MARCHE
2	1141003	M12	ALL BRANDS - TUTTE LE MARCHE

## VARIOUS CAPPUCCINATORE



Photo	LF Code	Suitable for
1	1079016	BIANCHI - SAN MARCO
2	1079030	ASTORIA/CMA - MCE - ORCHESTRALE
3	1079023	ASTORIA/CMA - CARIMALI - NUOVA SIMONELLI - WEGA
4	1079009	SAECO
5	1079010	SAECO
6	5501292	PAVONI

## VENT VALVES



Photo	LF Code	Technical notes	Suitable for
1	1523537	∅ 1/4" M VITON	ALL BRANDS - TUTTE LE MARCHE
2	1523534	∅ 1/4" M PTFE AND VITON	ALL BRANDS - TUTTE LE MARCHE
3	1523538	∅ 1/4" M	ALL BRANDS - TUTTE LE MARCHE

## VITON FLAT GASKETS



Photo	LF Code	Dimensions	Suitable for	Notes
1	1186927	∅ 12x4x4 mm	CASADIO 400274020	FOR STEAM/WATER TAPS - PER RUBINETTI VAPORE/ACQUA
1	1186927	∅ 12x4x4 mm	CIMBALI 400-274-020	FOR STEAM/WATER TAPS - PER RUBINETTI VAPORE/ACQUA
1	1186822	∅ 13x4x4 mm	FAEMA	FOR STEAM/WATER TAPS - PER RUBINETTI VAPORE/ACQUA
1	1186822	∅ 13x4x4 mm	RANCILIO 36302002	FOR BREW GROUPS - PER GRUPPI EROGAZIONE
1	1186822	∅ 13x4x4 mm	WEGA WY27421026	FOR BREW GROUPS - PER GRUPPI EROGAZIONE
1	5053833	∅ 13x4x4 mm NSF	FAEMA 402205000	FOR STEAM/WATER TAPS - PER RUBINETTI VAPORE/ACQUA
2	1186756	∅ 15.5x7.5x4 mm	FAEMA	FOR BREW GROUPS - PER GRUPPI EROGAZIONE
2	1186756	∅ 15.5x7.5x4 mm	GRIMAC 1110100044-F008	FOR STEAM/WATER TAPS - PER RUBINETTI VAPORE/ACQUA
2	1186756	∅ 15.5x7.5x4 mm	ISOMAC ISRONTM155754	FOR BREW GROUPS - PER GRUPPI EROGAZIONE
3	1186029	∅ 15x5.5x3 mm	EXPOBAR 50030000	FOR BREW GROUPS - PER GRUPPI EROGAZIONE
4	1186983	∅ 15x7x3 mm	GAGGIA WGA4001092000	FOR INLET TAPS - PER RUBINETTI CARICO
4	1186983	∅ 15x7x3 mm	PAVONI 362003	FOR STEAM/WATER TAPS - PER RUBINETTI VAPORE/ACQUA



Photo	LF Code	Dimensions	Suitable for	Notes
4	1186983	ø 15x7x3 mm	SAECO WGA4001092000	FOR INLET TAPS - PER RUBINETTI CARICO
5	1186938	ø 20.5x15x2 mm	ELEKTRA 00409035	FOR STEAM/WATER TAPS - PER RUBINETTI VAPORE/ACQUA

## VOLUMETRIC FLOWMETERS GICAR



Photo	LF Code	Model	Suitable for	For machine model
1	1455067	9.0.55.02G / ø 1/4"FF / ø 1.15 mm	ASTORIA/CMA 18126	ARGENTA - BRAVA - DIVINA - DORA - GLORIA - GLORIA R12
1	1455067	9.0.55.02G / ø 1/4"FF / ø 1.15 mm	BEZZERA 7431001	B2000 - B2006 - B2009 COMPACT - B2013 - B3000 - B4000
1	1455067	9.0.55.02G / ø 1/4"FF / ø 1.15 mm	BFC 5032012	CLASSICA - DELUX - GALILEO - GRANDOGE - IMOLA - JUNIOR
1	1455067	9.0.55.02G / ø 1/4"FF / ø 1.15 mm	BRUGNETTI-AURORA 95.01205	---
1	1455005	9.0.78.02G / ø 1/4"FF / ø 1.15 mm	CONTI 403466V	SK2
1	1455067	9.0.55.02G / ø 1/4"FF / ø 1.15 mm	EXPOBAR 60100045	ELEN - EXPRESSO - G10 - MARKUS - MARKUS SILVER
1	1455067	9.0.55.02G / ø 1/4"FF / ø 1.15 mm	FIorenzato CS A1500026	BRICOLETTA - DUCALE - FENICE - LIDO - VENEZIA
1	1455067	9.0.55.02G / ø 1/4"FF / ø 1.15 mm	FUTURMAT 08307500	ARIETE - F3 - RIMINI
1	1455060	9.0.93.02G / ø 1/4"FF / ø 1.15 mm	GAGGIA 11013052	DECO - GD - GE - XD - XE
1	1455067	9.0.55.02G / ø 1/4"FF / ø 1.15 mm	GRIMAC 1160900001-GR102	MIA - NEW CIALDA VAPOR - SELENITE DOUBLE - TWENTY
1	1455067	9.0.55.02G / ø 1/4"FF / ø 1.15 mm	MCE 18126	START
1	1455067	9.0.55.02G / ø 1/4"FF / ø 1.15 mm	NUOVA SIMONELLI 04900027	APPIA - APPIA COMPACT - AURELIA - AURELIAI - MACDIGIT
1	1455067	9.0.55.02G / ø 1/4"FF / ø 1.15 mm	ORCHESTRALE D18126	ETNICA - PHONICA
1	1455067	9.0.55.02G / ø 1/4"FF / ø 1.15 mm	RENEKA 9008954	LC - LIFE - PRESTIGE - VIVA
1	1455067	9.0.55.02G / ø 1/4"FF / ø 1.15 mm	ROYAL 5032012	DIADEMA - SYNCHRO
1	1455060	9.0.93.02G / ø 1/4"FF / ø 1.15 mm	SAECO 11013052	AROMA
1	1455067	9.0.55.02G / ø 1/4"FF / ø 1.15 mm	SAN MARCO 108192	NEW 105 - 100 - 105 - 85 - 95
1	1455067	9.0.55.02G / ø 1/4"FF / ø 1.15 mm	SANREMO 10112131A	MILANO LX
1	1455067	9.0.55.02G / ø 1/4"FF / ø 1.15 mm	SCALA C-0215	BUTTERFLY - CARMEN - EROICA
1	1455067	9.0.55.02G / ø 1/4"FF / ø 1.15 mm	VIBIEMME ELETCONTVOLOT	CHIMAERA - CUBO - DOMOBARSUPER - DOSAPLUS - EVOLUTION
1	1455067	9.0.55.02G / ø 1/4"FF / ø 1.15 mm	VICTORIA ARDUINO 04900027	ADONIS - VENUS CENTURY
1	1455067	9.0.55.02G / ø 1/4"FF / ø 1.15 mm	WEGA WY18126	ATLAS - ATLAS 10 - COLOSSEUM - COMBI NOVA - CONCEPT
2	1455068	9.0.55.50G / ø 1/8"FF / ø 1.15 mm	BRASILIA 16054.2.00.08	ROMA
2	1455068	9.0.55.50G / ø 1/8"FF / ø 1.15 mm	CIMBALI 534-391-020	M20 - M21 JUNIOR - M22 - M27 - M27 START - M28 - M29
2	1455068	9.0.55.50G / ø 1/8"FF / ø 1.15 mm	FAEMA 534391020	E98 COMPACT
2	1455068	9.0.55.50G / ø 1/8"FF / ø 1.15 mm	FIAMMA RST 5.0.000.1012	ATLANTIC - MARINA - PRESTIGE
2	1455068	9.0.55.50G / ø 1/8"FF / ø 1.15 mm	PAVONI 438020	---
2	1455068	9.0.55.50G / ø 1/8"FF / ø 1.15 mm	SANREMO 10112290	AMALFI - CAPRI - PISA - TORINO - VERONA - ZOE
3	1455026	9.0.54.05G / ø 1/4"FF / ø 1.15 mm	FRACINO FC92	BAMBINO
3	1455026	9.0.54.05G / ø 1/4"FF / ø 1.15 mm	MARZOCCO LAD070	FB70 - FB80 - GB5 - GS3 - LINEA - MISTRAL
3	1455352	9.0.78.00G / ø 1/4"FF / ø 1.15 mm	PROMAC 34070050	CLUB - COMPACT - GREEN
3	1455352	9.0.78.00G / ø 1/4"FF / ø 1.15 mm	RANCILIO 34070050	CLASSE10 - CLASSE9 - EPOCA
4	1455001	9.0.69.03G / ø 1/4"FF / ø 1.15 mm	SPAZIALE 02498	NEW - RAPID - S1 - S2 - S3 - S40 - S5 - S8



## VOLUMETRIC FLOWMETERS GICAR ACCESSORIES



Photo	LF Code	Model	Notes
1	3455333	9.0.16.50G	LED
2	5052706	9.0.15.51G	NO LED
3	1455032	6.9.23.05G	---
4	1186631	---	---
5	1455033	8.6.17.14	---

## WASHERS UNI ISO



LF Code	Dimensions	Suitable for	Notes
3528238	ø 9x4x0.8 mm UNI 6592	GAGGIA S401004	FOR BREW GROUPS - PER GRUPPI EROGAZIONE
3528238	ø 9x4x0.8 mm UNI 6592	GRIMAC GR356	G105 - G106
3528238	ø 9x4x0.8 mm UNI 6592	PAVONI 401004	EUROPICCOLA - PROFESSIONAL - ROMANTICA - STRADIVARI
1528117	ø 12x4x1 mm UNI 6593	GRIMAC 1300900128	SEVERAL APPLICATIONS - MOLTE APPLICAZIONI
1186192	ø 10x5x1 mm UNI 6592	SPAZIALE 00246	FOR BREW GROUPS - PER GRUPPI EROGAZIONE
1186315	ø 15x5x1.2 mm UNI 6593	CIMBALI 590-733-000	FOR LEVEL - PER LIVELLO
3528010	ø 12x6x1.6 mm UNI 6592	FAEMA 4054043102	FOR BREW GROUPS - PER GRUPPI EROGAZIONE
3528010	ø 12x6x1.6 mm UNI 6592	GRIMAC 1110400003-GR723	FOR BREW GROUPS - PER GRUPPI EROGAZIONE
3528010	ø 12x6x1.6 mm UNI 6592	PAVONI 401061	FOR BREW GROUPS - PER GRUPPI EROGAZIONE
3528010	ø 12x6x1.6 mm UNI 6592	SPAZIALE 01746	FOR BREW GROUPS - PER GRUPPI EROGAZIONE
1528008	ø 16x8x1.6 mm UNI 6592	BRASILIA 01290.0.00.03	FOR BREW GROUPS - PER GRUPPI EROGAZIONE
1528008	ø 16x8x1.6 mm UNI 6592	ELEKTRA 01816035	FOR BREW GROUPS - PER GRUPPI EROGAZIONE
1528008	ø 16x8x1.6 mm UNI 6592	GAGGIA WGAUN6592-8Z	FOR BREW GROUPS - PER GRUPPI EROGAZIONE
1528008	ø 16x8x1.6 mm UNI 6592	PAVONI 401065	FOR BREW GROUPS - PER GRUPPI EROGAZIONE
1528008	ø 16x8x1.6 mm UNI 6592	SPAZIALE 00416	FOR BREW GROUPS - PER GRUPPI EROGAZIONE
1528008	ø 16x8x1.6 mm UNI 6592	VIBIEMME VITERONGR8MA	FOR BREW GROUPS - PER GRUPPI EROGAZIONE
1528008	ø 16x8x1.6 mm UNI 6592	RENEKA 9001335	FOR STEAM/WATER TAPS - PER RUBINETTI VAPORE/ACQUA
1528008	ø 16x8x1.6 mm UNI 6592	VIBIEMME RACCROPIRU	FOR STEAM/WATER TAPS - PER RUBINETTI VAPORE/ACQUA
1528020	ø 18x8x1.3 mm UNI 6593	PROMAC 32239044	FOR STEAM/WATER TAPS - PER RUBINETTI VAPORE/ACQUA
1528020	ø 18x8x1.3 mm UNI 6593	RANCILIO 32239044	FOR STEAM/WATER TAPS - PER RUBINETTI VAPORE/ACQUA
1186504	ø 20x10.6x2 mm UNI 6592	FAEMA 4041135933	FOR BREW GROUPS - PER GRUPPI EROGAZIONE
1186504	ø 20x10.6x2 mm UNI 6592	PROMAC 39520008	FOR BREW GROUPS - PER GRUPPI EROGAZIONE
1186504	ø 20x10.6x2 mm UNI 6592	RANCILIO 39520008	FOR BREW GROUPS - PER GRUPPI EROGAZIONE
3528211	ø 28x15x2.5 mm UNI 6592	PAVONI 401075	FOR STEAM/WATER TAPS - PER RUBINETTI VAPORE/ACQUA



## WASHERS VARIOUS



LF Code	Dimensions	Suitable for	Notes
1528054	∅ 12x5x1 mm	ASTORIA/CMA 23260014	FOR BREW GROUPS - PER GRUPPI EROGAZIONE
1528059	∅ 18x6.5x1.5 mm	BFC 0540030	FOR STEAM/WATER TAPS - PER RUBINETTI VAPORE/ACQUA
1186036	∅ 21.5x6.5x2 mm	BIANCHI 18004971	FOR STEAM/WATER TAPS - PER RUBINETTI VAPORE/ACQUA
1528059	∅ 18x6.5x1.5 mm	CARIMALI 93.00058	FOR STEAM/WATER TAPS - PER RUBINETTI VAPORE/ACQUA
1186299	∅ 22x16x1 mm	CASADIO 590715000	FOR STEAM/WATER TAPS - PER RUBINETTI VAPORE/ACQUA
1186299	∅ 22x16x1 mm	CIMBALI 590-715-000	FOR STEAM/WATER TAPS - PER RUBINETTI VAPORE/ACQUA
1186036	∅ 21.5x6.5x2 mm	EXPOBAR 25012521	FOR STEAM/WATER TAPS - PER RUBINETTI VAPORE/ACQUA
1186299	∅ 22x16x1 mm	FAEMA 590715000	FOR STEAM/WATER TAPS - PER RUBINETTI VAPORE/ACQUA
1186399	∅ 30x17x3 mm	GAGGIA WGAUN6592-17Z	FOR LEVEL - PER LIVELLO
1186299	∅ 22x16x1 mm	GRIMAC 1300900055-G207	FOR STEAM/WATER TAPS - PER RUBINETTI VAPORE/ACQUA
1528059	∅ 18x6.5x1.5 mm	MARZOCCO L165/9	FOR STEAM/WATER TAPS - PER RUBINETTI VAPORE/ACQUA
1186036	∅ 21.5x6.5x2 mm	MARZOCCO L165/9B	FOR STEAM/WATER TAPS - PER RUBINETTI VAPORE/ACQUA
1186399	∅ 30x17x3 mm	NUOVA SIMONELLI 00200011	FOR STEAM/WATER TAPS - PER RUBINETTI VAPORE/ACQUA
1186399	∅ 30x17x3 mm	SAECO WGAUN6592-17Z	FOR LEVEL - PER LIVELLO
1186142	∅ 23x15x0.5 mm	SAN MARCO 205584	FOR STEAM/WATER TAPS - PER RUBINETTI VAPORE/ACQUA
1528059	∅ 18x6.5x1.5 mm	SANREMO 10402040	FOR STEAM/WATER TAPS - PER RUBINETTI VAPORE/ACQUA
1186416	∅ 15x11x2 mm	SPAZIALE 00523	FOR STEAM/WATER TAPS - PER RUBINETTI VAPORE/ACQUA
1528141	∅ 22x6.5x5 mm	VIBIEMME RACCROBLMAEVO	FOR STEAM/WATER TAPS - PER RUBINETTI VAPORE/ACQUA
1528054	∅ 12x5x1 mm	WEGA WY23260014	FOR BREW GROUPS - PER GRUPPI EROGAZIONE

## WATER FILTERS



Photo	LF Code	Dimensions	Suitable for
1	1160017	∅ 8x1.5 mm	SPAZIALE 02284
1	1160511	∅ 9x1.5 mm	CIMBALI 481-361-000
1	1160023	∅ 11x2 mm	SAN MARCO 202232
1	1160068	∅ 18 mm	CASADIO 490055000 - CIMBALI 490-055-000
2	1160400	∅ 11 mm	ASTORIA/CMA 10254 - WEGA WY10254
3	1160501	∅ 14x10x12 mm	ASTORIA/CMA 10252 - BEZZERA 5471002
3	1160501	∅ 14x10x12 mm	BRASILIA 00086.0.00.04 - PAVONI 330051
4	1160021	∅ 18x20 mm	ELEKTRA 00111035
5	1160801	M8x1	RANCILIO 10705003
6	1160012	∅ 11 mm	RANCILIO 10706070



## WATER FILTERS



Photo	LF Code	Dimensions	Suitable for
1	1160523	∅ 5.9 mm	CARIMALI 14.00795
1	1160311	∅ 7 mm	BIANCHI 43144416 - FUTURMAT 07362205
2	1160536	∅ 7 mm	SPAZIALE 00275
1	1160566	∅ 8 mm	ASTORIA/CMA 10251001 - WEGA WY10251001
1	1160566	∅ 8 mm	NUOVA SIMONELLI 98004001
1	1160011	∅ 9 mm	BRASILIA 09756.0.00.04 - CIMBALI 4771-116-081
1	1160516	∅ 11 mm	ASTORIA/CMA 10251002 - FUTURMAT 02435808
3	1160519	∅ 14 mm	PAVONI 326202
4	1160346	∅ 14 mm	CONTI 327154
5	1160087	∅ 15 mm	SANREMO 10052139A

## WATER FILTERS



Photo	LF Code	Dimensions	Suitable for
1	1160507	∅ 8.5x15 mm	FUTURMAT 08298700
2	1160517	∅ 8.5x22 mm	GROUP E61
3	1160074	∅ 8.5x25 mm	CIMBALI 533-100-400
4	1160338	∅ 8x13 mm	CONTI 403458

## WATER INLET TAPS GAGGIA



Photo	LF Code	Notes	Suitable for	For machine model
1	1358006	---	GAGGIA 11006180	DECO
2	1358005	---	GAGGIA WGA8001033000	GD - GE - XD - XE
3	1358007	---	GAGGIA RB0642	---





## WATER TANKS AND ACCESSORIES GAGGIA



Photo	LF Code	Suitable for	For machine model
1	1186844	GAGGIA 0701.031.150	NEW BABY 06
2	5029644	GAGGIA 0701.014.150	NEW BABY 06
3	1080115	GAGGIA 142802050	TS
4	5030079	GAGGIA 142690381	TS

## WHEELS




















Photo	LF Code	Suitable for	For machine model
1	1346001	GAGGIA 11000223	PLATINUM
1	1346001	SAECO 11000223	ODEA - PRIMEA - TALEA

*The data herewith contained may change without notice and LF SpA cannot be held responsible for possible errors stated or resulting by the use of this document. All rights reserved. No part of this publication may be reproduced without written permission by LF SpA.*



Distributing Components, Spare Parts & Accessories  
in original quality worldwide

- 
-  **LF SpA HEADQUARTERS**  
via Voltri, 80 - 47522 Cesena (FC) ITALY  
Tel. +39 0547 34 11 11 - Fax +39 0547 34 11 10  
[www.lfcomb724.it](http://www.lfcomb724.it) - [www.lfcomb724.mobi](http://www.lfcomb724.mobi) - [info@lfcomb.it](mailto:info@lfcomb.it)  
Export Dept.: Tel. +39 0547 34 11 50 - Fax: +39 0547 34 11 55  
[www.lfspareparts724.com](http://www.lfspareparts724.com) - [www.lfspareparts724.mobi](http://www.lfspareparts724.mobi)  
[export@lfspareparts.com](mailto:export@lfspareparts.com)
  -  **OOO LF RUSSIAN FEDERATION**  
Ul. Anatoliya Zhivova, 8 - office 1 - 123100 Moscow  
Tel. +7 499 259 85 75  
Fax +7 495 725 26 53  
[www.lfspareparts724.ru](http://www.lfspareparts724.ru)  
[www.lfspareparts724.mobi](http://www.lfspareparts724.mobi)  
[info@lfspareparts.ru](mailto:info@lfspareparts.ru)
  -  **EPGC Sas FRANCE**  
13, Rue des Forts - 59960 Neuville en Ferrain  
Tel. +33 (0)3 20 25 06 21  
Fax +33 (0)3 20 25 34 12  
[www.epgc.com](http://www.epgc.com)  
[www.epgc724.mobi](http://www.epgc724.mobi)  
[epgc@epgc.com](mailto:epgc@epgc.com)
  -  **LF Repuestos Horeca S.L.U. SPAIN**  
Calle Ciudad Real, 10 - 45517 Escalonilla - Toledo  
Tel. +34 91 477 91 00  
Fax +34 91 477 90 81  
[www.lfrepuestos-horeca724.es](http://www.lfrepuestos-horeca724.es)  
[www.lfrepuestos724.mobi](http://www.lfrepuestos724.mobi)  
[info@lfrepuestos.es](mailto:info@lfrepuestos.es)
  -  **LF GmbH GERMANY**  
Junkersstrasse, 1 - D-82178 Puchheim - München  
Tel. +49 89 89 45 78 66  
Fax +49 89 89 45 78 88  
[www.lfersatzteile724.de](http://www.lfersatzteile724.de)  
[www.lfersatzteile724.mobi](http://www.lfersatzteile724.mobi)  
[info@lfersatzteile.de](mailto:info@lfersatzteile.de)
  -  **LF SpA Cesena (IT) Swiss Branch Steinhausen SWITZERLAND**  
Sennweidstrasse, 45 - CH-6312 Steinhausen  
Tel. +41 (0)41 760 15 80-1  
Fax +41 (0)41 760 15 85  
[www.lfersatzteile724.ch](http://www.lfersatzteile724.ch)  
[www.lfersatzteile724.mobi](http://www.lfersatzteile724.mobi)  
[info@lfersatzteile.ch](mailto:info@lfersatzteile.ch)
  -  **LF China REPUBLIC OF CHINA**  
Room 403, No.2, Huadu Mansion, Lane 422, Huanghua Rd.  
Minhang Dist. - 201103 Shanghai  
Tel. +86 (0)21 33 53 66 31  
Fax +86 (0)21 33 53 66 32  
[www.lfspareparts724.com](http://www.lfspareparts724.com)  
[www.lfspareparts724.mobi](http://www.lfspareparts724.mobi)  
[china@lfspareparts.com](mailto:china@lfspareparts.com)
  -  **LF Spare Parts Ltd. UNITED KINGDOM**  
A10a Lakeside Business Park, Broadway Lane  
South Cerney, Gloucestershire GL7 5XL  
Tel. +44 (0)1285 86 16 25  
Fax +44 (0)1285 86 39 49  
[www.lfspareparts724.co.uk](http://www.lfspareparts724.co.uk)  
[www.lfspareparts724.mobi](http://www.lfspareparts724.mobi)  
[info@lfspareparts.co.uk](mailto:info@lfspareparts.co.uk)
- 
-  **AUSTRALIA AND NEW ZEALAND**  
[www.lfspareparts724.com](http://www.lfspareparts724.com)  
[andrea.calvio@lfspareparts.com](mailto:andrea.calvio@lfspareparts.com)
  -  **DENMARK**  
[www.lfspareparts724.dk](http://www.lfspareparts724.dk)  
[michael.lenth@lfspareparts.com](mailto:michael.lenth@lfspareparts.com)
  -  **AUSTRIA**  
[www.lfspareparts724.at](http://www.lfspareparts724.at)  
[ludwig.neier@lfersatzteile.at](mailto:ludwig.neier@lfersatzteile.at)
  -  **SOUTH KOREA**  
[www.lfspareparts724.com](http://www.lfspareparts724.com)  
[fabio.doni@lfspareparts.com](mailto:fabio.doni@lfspareparts.com)
  -  **BALKAN COUNTRIES**  
[www.lfspareparts724.com](http://www.lfspareparts724.com)  
[matija.ramov@lfspareparts.com](mailto:matija.ramov@lfspareparts.com)
  -  **TURKEY**  
[www.lfyedekparca724.com](http://www.lfyedekparca724.com)  
[basar.ergun@lfyedekparca.com](mailto:basar.ergun@lfyedekparca.com)
  -  **BALTIC COUNTRIES**  
[www.lfspareparts724.com](http://www.lfspareparts724.com)  
[inara.silina@lfspareparts.com](mailto:inara.silina@lfspareparts.com)
  -  **USA AND CANADA**  
[www.lfspareparts724.us](http://www.lfspareparts724.us)  
[sauro.dallaglio@lfspareparts.us](mailto:sauro.dallaglio@lfspareparts.us)  
[howard.truitt@lfspareparts.us](mailto:howard.truitt@lfspareparts.us)
  -  **CENTRAL AND EASTERN EUROPE**  
[www.lfspareparts724.cz](http://www.lfspareparts724.cz)  
[jiri.kremla@lfspareparts.cz](mailto:jiri.kremla@lfspareparts.cz)