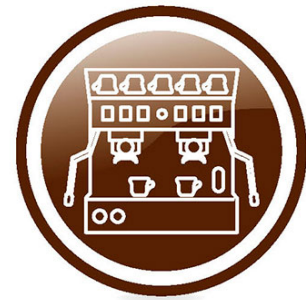




Spare parts for:

## Espresso coffee machines



Suitable for:

# ITALCREM



This catalogue is automatically generated.  
Therefore, the sequence of the items might  
not be always shown at best.

Updates will be issued in case of additions  
and/or amendments.

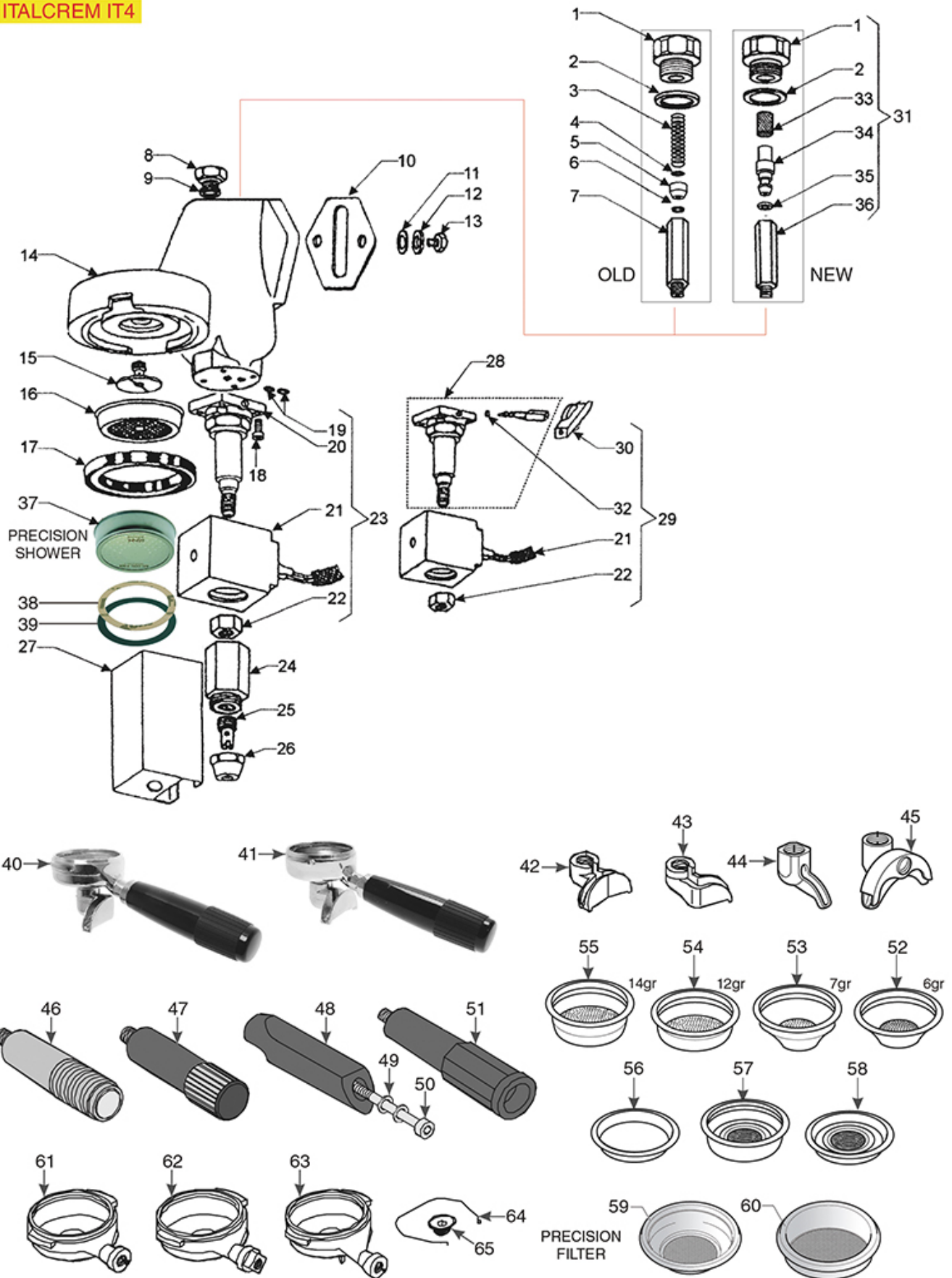
*Suitable universal spare parts may not be included*





## BREW GROUP IT4

**ITALCREM IT4**



IT0101

Positions without LF code no.: upon request



# ITALCREM

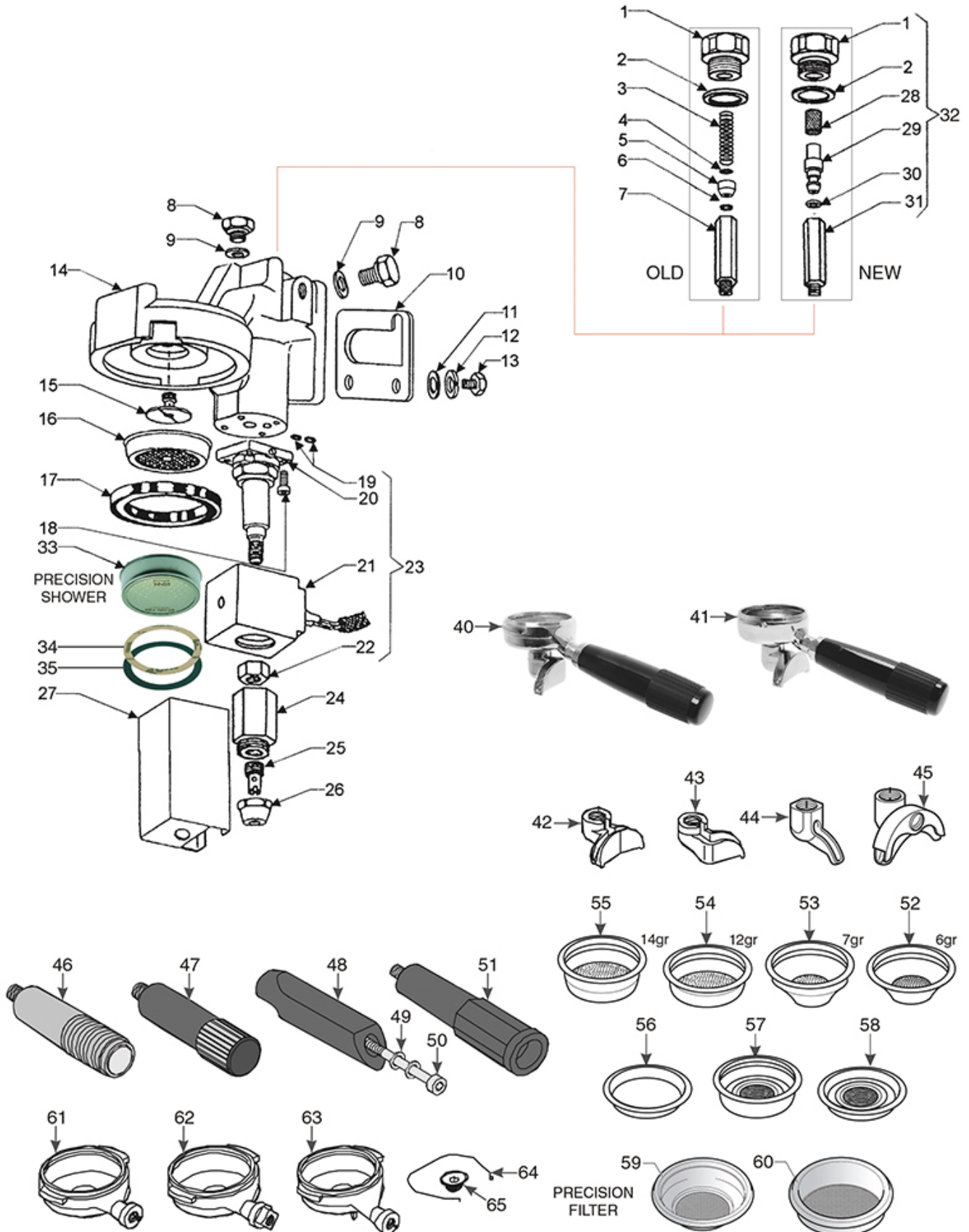


Position	LF code no.	Description
1	5030808	CAP ø 3/8" FOR BREW GROUP
2	1186620	COPPER FLAT GASKET ø 22x17x1.5 mm
3	1250402	JET SPRING ø 7x28 mm
4	1160311	WATER FILTER ø 7 mm
5	1501531	NOZZLE ø 8 HOLE ø 0.7 mm
6	1186252	O-RING 0040-20 EPDM
9	1186262	COPPER FLAT GASKET ø 16x12x1.5 mm
10	1186502	COFFEE GROUP GASKET 79x71x2 mm
15	1501561	GROUP SPRAY NOZZLE ø 30 mm M10x1
16	1081016	SHOWER SCREEN ø 60 mm
16	1081116	SHOWER SCREEN ø 60 mm
16	1081216	SHOWER SCREEN ø 60 mm
16	1081516	SHOWER ø 60 mm
17	1186722	FILTER HOLDER GASKET ø 73x57x8 mm
17	1186723	FILTER HOLDER GASKET ø 73x57x8.5 mm
18	1455034	CYLINDER HEAD SCREW M4x10
19	1186612	O-RING 02025 VITON
20	1120339	3-WAY MECHANICAL COMPONENT PARKER
21	1120361	COIL PARKER YB09 220/230V 9W 50/60Hz
23	1120476	3-WAY SOLENOID VALVE PARKER 230V 50/60Hz
24	1349404	COUPLING DISCHARGE
25	1349405	DRAIN JET SWIRL
26	1349403	DRAIN CHROMIUM-PLATED FITTING
27	1201572	MANUAL SOLENOID COVER
33	1160507	WATER FILTER ø 8.5x15 mm
34	1501570	NOZZLE GROUP
35	1186514	O-RING 02015 SILICON
37	1460201	PRECISION SHOWER SCREEN ø 60 mm
37	1460206	PRECISION SHOWER SCREEN ø 60 mm
38	1190001	PAPER SHIM ø 73x59x0.8 mm
39	1190002	RUBBER SHIM ø 73x59x1 mm EPDM
40	5057230	FILTER HOLDER ASSEMBLY 1 CUP FUTURMAT
41	5034110	FILTER HOLDER ASSEMBLY 2 CUPS FUTURMAT
44	1022501	SINGLE SPOUT ø 3/8"
44	1022503	STRAIGHT SINGLE SPOUT ø 3/8"
44	1022504	CLOSED SINGLE SPOUT ø 3/8"
44	5031337	1-CUP STRAIGHT SHORT SPOUT ø 3/8"
45	1022502	DOUBLE SPOUT ø 3/8"
45	1022521	LONG DOUBLE SPOUT ø 3/8"
45	1022523	ADJUSTABLE SHORT DOUBLE SPOUT ø 3/8"
48	1241482	FILTER HOLDER HANDLE
50	1528531	CYLINDER HEAD SCREW M8x80
51	1241483	FILTER HOLDER HANDLE M12
52	1160060	1 CUP FILTER 6 gr
53	1160062	1 CUP FILTER 7 gr
54	1160061	2 CUPS FILTER 12 gr
55	1160063	2 CUPS FILTER 14 gr
56	1160339	BLIND FILTER
57	1160504	2 CUPS POD FILTER
58	1160503	1 CUP POD FILTER
59	1460100	PRECISION FILTER 1 CUP 6/8 g H24.5
59	1460101	PRECISION FILTER 1 CUP 7/9 g H26.5
60	1460102	PRECISION FILTER 2 CUPS 12/18 g H24.5
60	1460103	PRECISION FILTER 2 CUPS 14/20 g H26.5
60	1460104	PRECISION FILTER 2 CUPS 18/22 g H28,5
61	1165022	FILTER HOLDER COFFEE MACHINES
62	1165036	FILTER HOLDER COFFEE MACHINES
63	5055624	FILTER HOLDER FUTURMAT COFFEE MACHINES
64	1250101	FILTER BLOCKING SPRING ø 1,00 mm INOX



## BREW GROUP CAPRI

### ITALCREM CAPRI





# ITALCREM

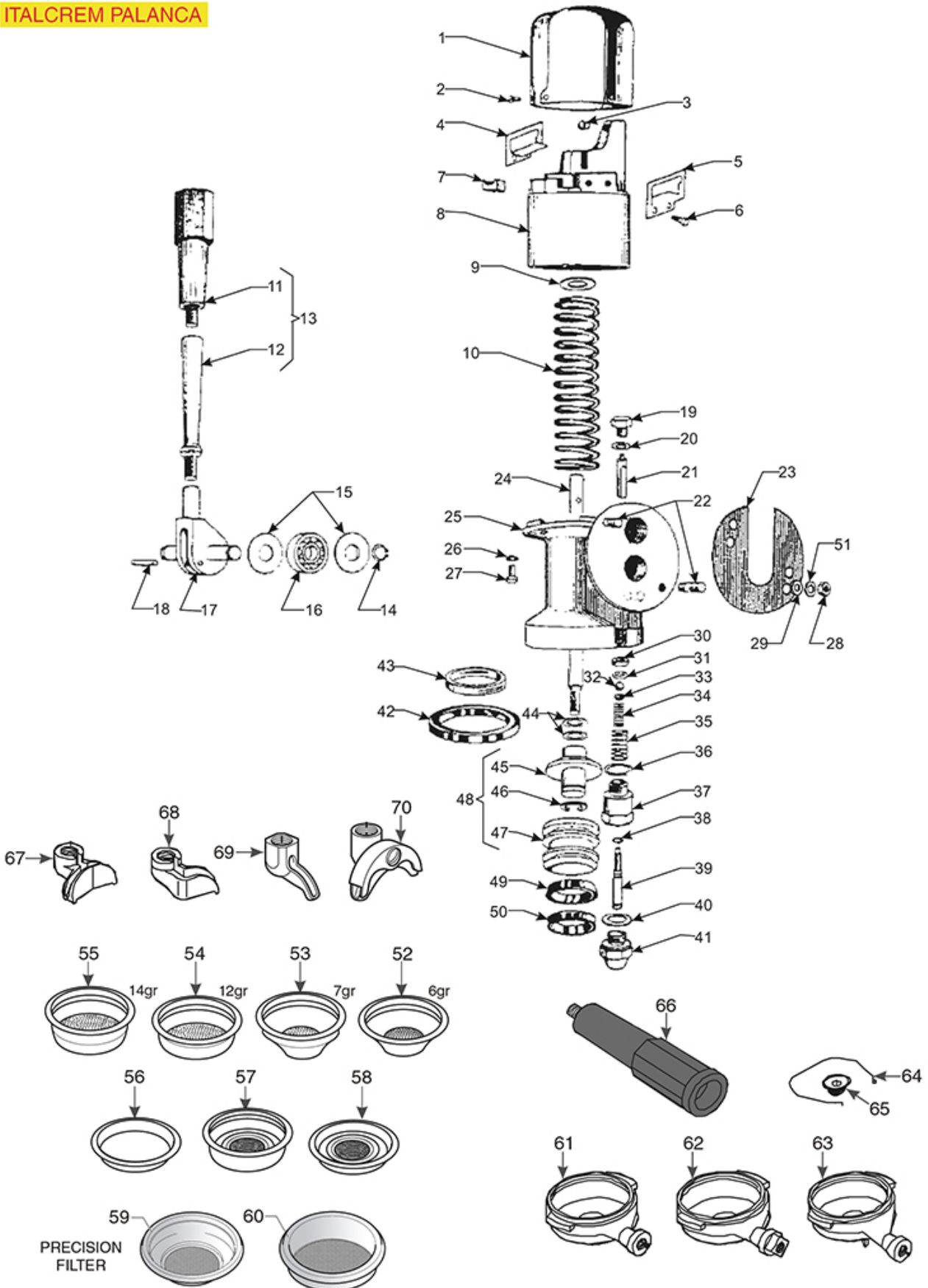


Position	LF code no.	Description
1	5030808	CAP ø 3/8" FOR BREW GROUP
2	1186620	COPPER FLAT GASKET ø 22x17x1.5 mm
3	1250402	JET SPRING ø 7x28 mm
4	1160311	WATER FILTER ø 7 mm
5	1501531	NOZZLE ø 8 HOLE ø 0.7 mm
6	1186252	O-RING 0040-20 EPDM
7	1324052	SHORT PIN M8
9	1186262	COPPER FLAT GASKET ø 16x12x1.5 mm
10	1186172	COFFEE GROUP GASKET 80x72 mm
15	1501565	GROUP SPRAY NOZZLE ø 21 mm M5x1
16	1081016	SHOWER SCREEN ø 60 mm
16	1081116	SHOWER SCREEN ø 60 mm
16	1081216	SHOWER SCREEN ø 60 mm
16	1081516	SHOWER ø 60 mm
17	1186722	FILTER HOLDER GASKET ø 73x57x8 mm
17	1186723	FILTER HOLDER GASKET ø 73x57x8.5 mm
18	1455034	CYLINDER HEAD SCREW M4x10
19	1186612	O-RING 02025 VITON
20	1120339	3-WAY MECHANICAL COMPONENT PARKER
21	1120361	COIL PARKER YB09 220/230V 9W 50/60Hz
23	1120476	3-WAY SOLENOID VALVE PARKER 230V 50/60Hz
24	1349404	COUPLING DISCHARGE
25	1349405	DRAIN JET SWIRL
26	1349403	DRAIN CHROMIUM-PLATED FITTING
27	1201572	MANUAL SOLENOID COVER
28	1160507	WATER FILTER ø 8.5x15 mm
29	1501570	NOZZLE GROUP
30	1186514	O-RING 02015 SILICON
31	1324085	INJECTOR SUPPORT
33	1460201	PRECISION SHOWER SCREEN ø 60 mm
33	1460206	PRECISION SHOWER SCREEN ø 60 mm
34	1190001	PAPER SHIM ø 73x59x0.8 mm
35	1190002	RUBBER SHIM ø 73x59x1 mm EPDM
40	5057230	FILTER HOLDER ASSEMBLY 1 CUP FUTURMAT
41	5034110	FILTER HOLDER ASSEMBLY 2 CUPS FUTURMAT
44	1022501	SINGLE SPOUT ø 3/8"
44	1022503	STRAIGHT SINGLE SPOUT ø 3/8"
44	1022504	CLOSED SINGLE SPOUT ø 3/8"
44	5031337	1-CUP STRAIGHT SHORT SPOUT ø 3/8"
45	1022502	DOUBLE SPOUT ø 3/8"
45	1022521	LONG DOUBLE SPOUT ø 3/8"
45	1022523	ADJUSTABLE SHORT DOUBLE SPOUT ø 3/8"
48	1241482	FILTER HOLDER HANDLE
50	1528531	CYLINDER HEAD SCREW M8x80
51	1241483	FILTER HOLDER HANDLE M12
52	1160060	1 CUP FILTER 6 gr
53	1160062	1 CUP FILTER 7 gr
54	1160061	2 CUPS FILTER 12 gr
55	1160063	2 CUPS FILTER 14 gr
56	1160339	BLIND FILTER
57	1160504	2 CUPS POD FILTER
58	1160503	1 CUP POD FILTER
59	1460100	PRECISION FILTER 1 CUP 6/8 g H24.5
59	1460101	PRECISION FILTER 1 CUP 7/9 g H26.5
60	1460102	PRECISION FILTER 2 CUPS 12/18 g H24.5
60	1460103	PRECISION FILTER 2 CUPS 14/20 g H26.5
60	1460104	PRECISION FILTER 2 CUPS 18/22 g H28.5
61	1165022	FILTER HOLDER COFFEE MACHINES
62	1165036	FILTER HOLDER COFFEE MACHINES
63	5055624	FILTER HOLDER FUTURMAT COFFEE MACHINES
64	1250101	FILTER BLOCKING SPRING ø 1,00 mm INOX



## BREW GROUP PALANCA

### ITALCREM PALANCA





# ITALCREM

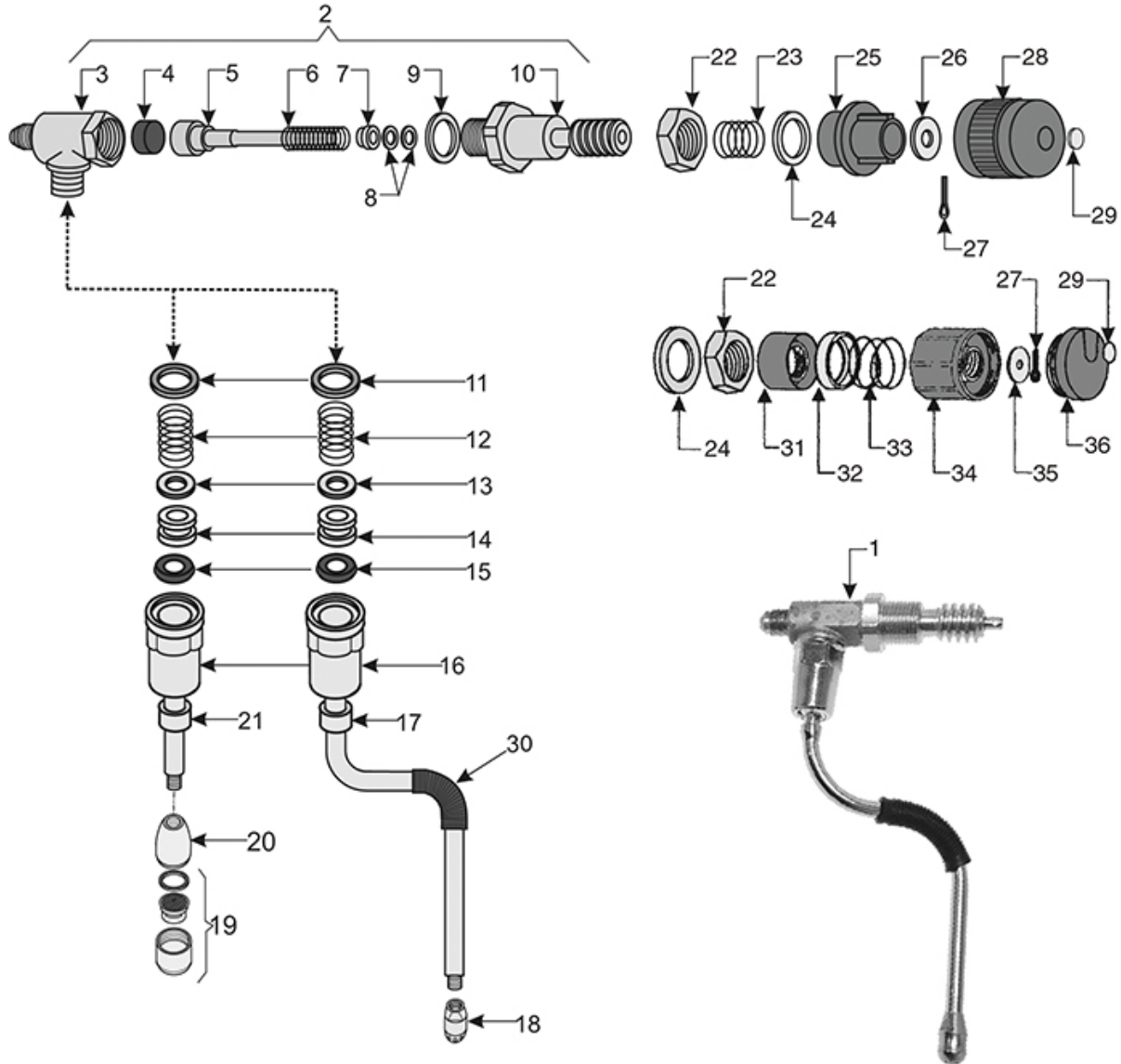


Position	LF code no.	Description
3	1186254	RUBBER SHOCK ABSORBER
7	1186258	RUBBER SHOCK ABSORBER
10	1250407	LEVER GROUP SPRING
11	1241483	FILTER HOLDER HANDLE M12
16	1063906	BEARING 6203 ZZ NSK
23	1186259	COFFEE GROUP GASKET $\varnothing$ 86x1 mm
30	1186369	EPDM FLAT GASKET $\varnothing$ 15x5.5x4 mm
32	1323003	STAINLESS STEEL BALL $\varnothing$ 8 mm
34	1250112	INLET TAP SPRING $\varnothing$ 8x20 mm
35	1250160	PIN SPRING $\varnothing$ 14x23 mm
36	1186394	ASBESTOS FREE FLAT GASKET $\varnothing$ 22x17x2 mm
38	1186903	O-RING 02021 - RED SILICON
40	1186394	ASBESTOS FREE FLAT GASKET $\varnothing$ 22x17x2 mm
42	1186722	FILTER HOLDER GASKET $\varnothing$ 73x57x8 mm
42	1186723	FILTER HOLDER GASKET $\varnothing$ 73x57x8.5 mm
43	1081250	SHOWER SCREEN $\varnothing$ 57 mm
49	1186277	LIP SEAL $\varnothing$ 52x37x7.5 mm
50	1186816	LIP SEAL $\varnothing$ 50x38x7.5 mm
52	1160060	1 CUP FILTER 6 gr
53	1160062	1 CUP FILTER 7 gr
54	1160061	2 CUPS FILTER 12 gr
55	1160063	2 CUPS FILTER 14 gr
56	1160339	BLIND FILTER
57	1160504	2 CUPS POD FILTER
58	1160503	1 CUP POD FILTER
59	1460100	PRECISION FILTER 1 CUP 6/8 g H24.5
59	1460101	PRECISION FILTER 1 CUP 7/9 g H26.5
60	1460102	PRECISION FILTER 2 CUPS 12/18 g H24.5
60	1460103	PRECISION FILTER 2 CUPS 14/20 g H26.5
60	1460104	PRECISION FILTER 2 CUPS 18/22 g H28,5
61	1165022	FILTER HOLDER COFFEE MACHINES
62	1165036	FILTER HOLDER COFFEE MACHINES
63	5055624	FILTER HOLDER FUTURMAT COFFEE MACHINES
64	1250101	FILTER BLOCKING SPRING $\varnothing$ 1,00 mm INOX
66	1241483	FILTER HOLDER HANDLE M12
69	1022501	SINGLE SPOUT $\varnothing$ 3/8"
69	1022503	STRAIGHT SINGLE SPOUT $\varnothing$ 3/8"
69	1022504	CLOSED SINGLE SPOUT $\varnothing$ 3/8"
69	5031337	1-CUP STRAIGHT SHORT SPOUT $\varnothing$ 3/8"
70	1022502	DOUBLE SPOUT $\varnothing$ 3/8"
70	1022521	LONG DOUBLE SPOUT $\varnothing$ 3/8"
70	1022523	ADJUSTABLE SHORT DOUBLE SPOUT $\varnothing$ 3/8"



## WATER/STEAM TAP CAPRI

### ITALCREM CAPRI



 50	0+100°C	 51	---	100	 INOX 18/10	0,20L 2 cups	200	 INOX AISI 202	0,10L 1 cup	300	 INOX 18/10	0,25L 2 cups	400
	---		101	0,30L 3 cups		201	---		301	0,35L 3 cups		401	
 INOX 18/10	---	---	---	102	 INOX 18/10	0,45L 4 cups	202	 INOX AISI 202	0,35L 3 cups	302	 INOX 18/10	0,50L 4 cups	402
	0,60L 6 cups	103	0,60L 6 cups	203		0,60L 6 cups	303		0,75L 6 cups	403			
	0,70L 9 cups	104	0,70L 9 cups	204		1,00L 10 cups	304		1,00L 10 cups	404			
	1,10L 12 cups	105	1,10L 12 cups	205		1,50L 12 cups	305		1,50L 13 cups	405			
	---	106	---	206		---	306		---	406			
	---	---	---	---		---	---		---	---			





# ITALCREM

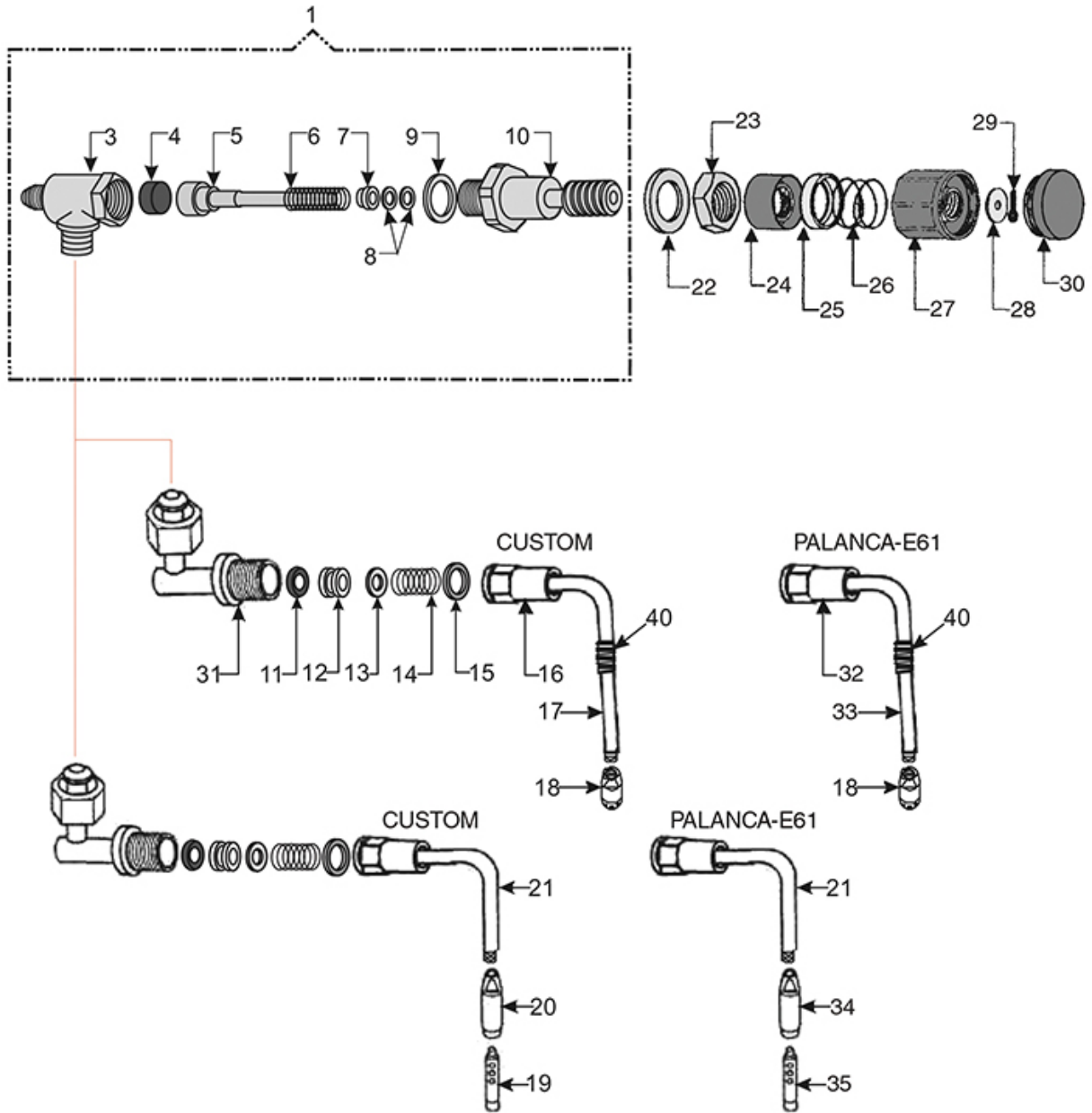


Position	LF code no.	Description
1	1348472	STEAM TAP ASSEMBLY
2	1348477	WATER/STEAM TAP
4	1186442	BLIND GASKET $\varnothing$ 12x5.8 mm SILICONE
5	1324066	WATER/STEAM TAP PIN
6	1250415	TAP SPRING $\varnothing$ 10x32 mm
7	1186244	SPRING BUSHING
8	1186612	O-RING 02025 VITON
9	1186326	PTFE FLAT GASKET $\varnothing$ 22x16x2 mm
10	1349406	TAP PIN
11	1186314	PTFE FLAT GASKET $\varnothing$ 22x17x2 mm
12	1250549	SPRING $\varnothing$ 11x25 mm
13	1186283	WASHER FLAT BRASS $\varnothing$ 14.5x7x2 mm
14	1786309	SEALING CONE PTFE $\varnothing$ 14.5x7x8 mm
15	1186346	O-RING 02043 EPDM
16	1348476	NUT FOR WATER/STEAM PIPE
17	1449853	STEAM PIPE COMPLETE
18	1449336	STEAM NOZZLE
19	1449855	WATER PIPE NOZZLE M8 $\varnothing$ 18 mm
20	1449855	WATER PIPE NOZZLE M8 $\varnothing$ 18 mm
21	1449854	FITTING FOR WATER PIPE
23	1250510	HANDLE SPRING $\varnothing$ 29x30 mm
25	1241371	RING NUT FOR WATER/STEAM KNOB
27	3389013	STAINLESS STEEL PIN $\varnothing$ 2x12 mm
28	1241422	KNOB FOR STEAM TAP
31	1241481	RING NUT FOR WATER/STEAM KNOB
32	1186263	RING NUT FOR WATER/STEAM KNOB
33	1250179	HANDLE SPRING $\varnothing$ 34x34 mm
34	1241402	WATER/STEAM TAP HANDLE
34	1241434	WATER/STEAM TAP KNOB
50	1394553	ANALOGICAL THERMOMETER $\varnothing$ 25 mm
51	1394554	ANALOG THERMOMETER $\varnothing$ 45 mm
103	1024051	SERVING COFFEE POT PRATIKA 0.60 L
104	1024052	SERVING COFFEE POT PRATIKA 0.70 L
105	1024053	SERVING COFFEE POT PRATIKA 1.10 L
200	1024001	MILK PITCHER PRATIKA 0.20 L
201	1024002	MILK PITCHER PRATIKA 0.30 L
202	1024003	MILK PITCHER PRATIKA 0.45 L
203	1024004	MILK PITCHER PRATIKA 0.60 L
204	1024005	MILK PITCHER PRATIKA 0.70 L
205	1024006	MILK PITCHER PRATIKA 1.10 L
300	1224900	MILK PITCHER 0.10L
302	1224901	MILK JUG 0.35 L
303	1224902	MILK JUG 0.60 L
304	1224903	MILK JUG 1 L
305	1224904	MILK JUG 1.5 L
400	1224014	MILK PITCHER EUROPA WITH SPOUT 0.25 L
401	1224015	MILK PITCHER EUROPA WITH SPOUT 0.35 L
402	1224010	MILK PITCHER EUROPA WITH SPOUT 0.50 L
403	1224011	MILK PITCHER EUROPA WITH SPOUT 0.75 L
404	1224012	MILK PITCHER EUROPA WITH SPOUT 1 L
405	1224013	MILK PITCHER EUROPA WITH SPOUT 1.5 L



## WATER/STEAM TAP PALANCA

### ITALCREM PALANCA



...	100
...	101
...	102
0,60L 6 cups	103
0,70L 9 cups	104
1,10L 12 cups	105
...	106

INOX 18/10

0,20L 2 cups	200
0,30L 3 cups	201
0,45L 4 cups	202
0,60L 6 cups	203
0,70L 9 cups	204
1,10L 12 cups	205
...	206

INOX 18/10

0,10L 1 cup	300
...	301
0,35L 3 cups	302
0,60L 6 cups	303
1,00L 10 cups	304
1,50L 12 cups	305
...	306

INOX AISI 202

0,25L 2 cups	400
0,35L 3 cups	401
0,50L 4 cups	402
0,75L 6 cups	403
1,00L 10 cups	404
1,50L 13 cups	405
...	406

INOX 18/10



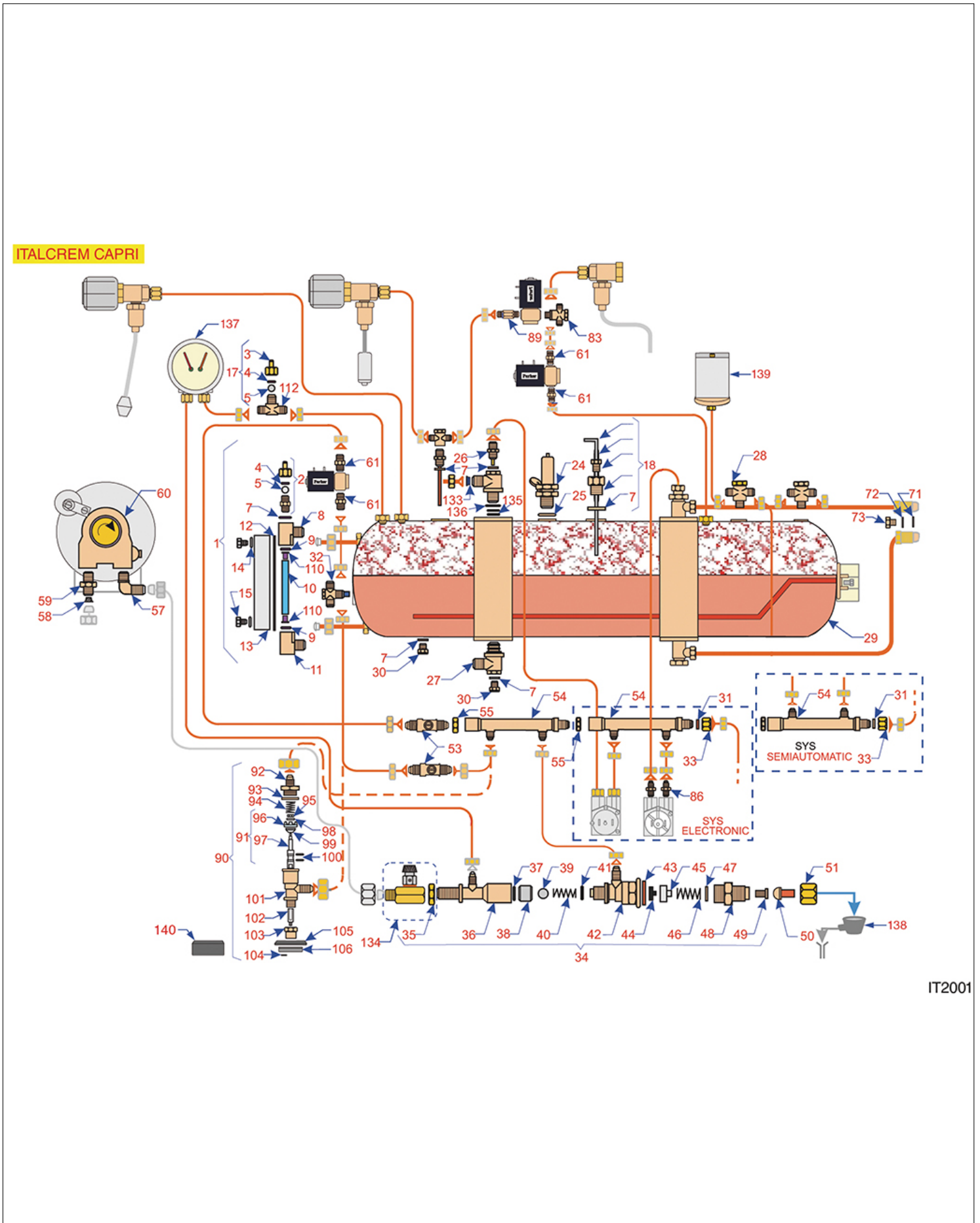
# ITALCREM



Position	LF code no.	Description
1	1348477	WATER/STEAM TAP
4	1186442	BLIND GASKET $\varnothing$ 12x5.8 mm SILICONE
5	1324066	WATER/STEAM TAP PIN
6	1250415	TAP SPRING $\varnothing$ 10x32 mm
7	1186244	SPRING BUSHING
8	1186612	O-RING 02025 VITON
9	1186326	PTFE FLAT GASKET $\varnothing$ 22x16x2 mm
10	1349406	TAP PIN
11	1186314	PTFE FLAT GASKET $\varnothing$ 22x17x2 mm
12	1250549	SPRING $\varnothing$ 11x25 mm
13	1186283	WASHER FLAT BRASS $\varnothing$ 14.5x7x2 mm
14	1786309	SEALING CONE PTFE $\varnothing$ 14.5x7x8 mm
15	1186346	O-RING 02043 EPDM
18	1449336	STEAM NOZZLE
24	1241481	RING NUT FOR WATER/STEAM KNOB
25	1186263	RING NUT FOR WATER/STEAM KNOB
26	1250179	HANDLE SPRING $\varnothing$ 34x34 mm
27	1241402	WATER/STEAM TAP HANDLE
30	1241405	RING NUT FOR WATER/STEAM KNOB
31	1349409	WATER/STEAM PIPE COUPLING
32	1348476	NUT FOR WATER/STEAM PIPE
34	1449855	WATER PIPE NOZZLE M8 $\varnothing$ 18 mm
39	3389013	STAINLESS STEEL PIN $\varnothing$ 2x12 mm
50	1394553	ANALOGICAL THERMOMETER $\varnothing$ 25 mm
51	1394554	ANALOG THERMOMETER $\varnothing$ 45 mm
103	1024051	SERVING COFFEE POT PRATIKA 0.60 L
104	1024052	SERVING COFFEE POT PRATIKA 0.70 L
105	1024053	SERVING COFFEE POT PRATIKA 1.10 L
200	1024001	MILK PITCHER PRATIKA 0.20 L
201	1024002	MILK PITCHER PRATIKA 0.30 L
202	1024003	MILK PITCHER PRATIKA 0.45 L
203	1024004	MILK PITCHER PRATIKA 0.60 L
204	1024005	MILK PITCHER PRATIKA 0.70 L
205	1024006	MILK PITCHER PRATIKA 1.10 L
300	1224900	MILK PITCHER 0.10L
302	1224901	MILK JUG 0.35 L
303	1224902	MILK JUG 0.60 L
304	1224903	MILK JUG 1 L
304	1224904	MILK JUG 1.5 L
400	1224014	MILK PITCHER EUROPA WITH SPOUT 0.25 L
401	1224015	MILK PITCHER EUROPA WITH SPOUT 0.35 L
402	1224010	MILK PITCHER EUROPA WITH SPOUT 0.50 L
403	1224011	MILK PITCHER EUROPA WITH SPOUT 0.75 L
404	1224012	MILK PITCHER EUROPA WITH SPOUT 1 L
405	1224013	MILK PITCHER EUROPA WITH SPOUT 1.5 L



## WATER INLET AND LEVEL BOILER



IT2001

Positions without LF code no.: upon request



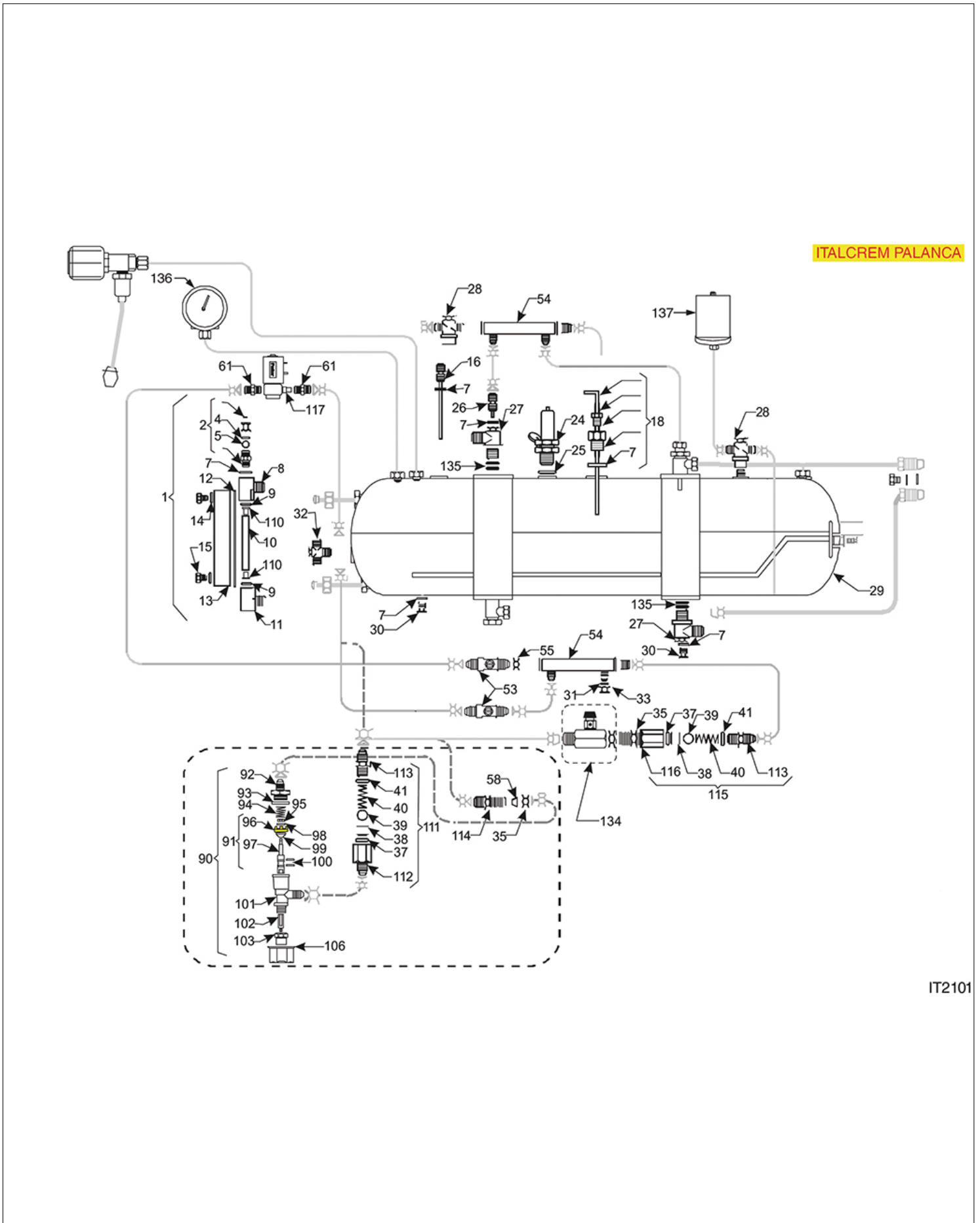
# ITALCREM



Position	LF code no.	Description
1	5024205	COMPLETE LEVEL GAUGE
4	1186611	O-RING 02025 RED SILICONE
5	1323003	STAINLESS STEEL BALL $\varnothing$ 8 mm
7	1186232	COPPER FLAT GASKET $\varnothing$ 19x13.5x1.5 mm
9	1186236	O-RING 03043 VITON
10	1520562	LEVEL GLASS $\varnothing$ 11x108 mm
18	3341011	LEVEL PROBE $\varnothing$ 1/4"M-140 mm
24	1515100	BOILER VALVE $\varnothing$ 3/8"M 1.8bar CE-PED
34	1523526	EXPANSION AND NON-RETURN VALVE
37	1186422	O-RING 0108 EPDM
39	1323415	STAINLESS STEEL BALL $\varnothing$ 11 mm
40	1250202	SPRING $\varnothing$ 8x30 mm
41	1186346	O-RING 02043 EPDM
44	1186129	FLAT EPDM GASKET $\varnothing$ 15/6x10 mm
45	1186131	GASKET HOLDER FOR TAP
46	1250517	SPRING $\varnothing$ 15.5x29 mm
47	1186239	COPPER FLAT GASKET $\varnothing$ 13x6x1 mm
60	1330002	ROTARY VANE PUMP ROTOFLOW $\varnothing$ 3/8" NPT
61	1349408	CONICAL COUPLING
90	1348306	WATER INLET TAP
91	1523503	INLET VALVE
94	1250536	SPRING $\varnothing$ 13x42 mm
95	1186330	WASHER FLAT BRASS $\varnothing$ 6.8x3.2x0.5 mm
97	1324015	PIN FOR INLET VALVE
98	1186330	WASHER FLAT BRASS $\varnothing$ 6.8x3.2x0.5 mm
99	1186128	CONICAL EPDM SEAL $\varnothing$ 12x4x4 mm
100	1186252	O-RING 0040-20 EPDM
101	1348306	WATER INLET TAP
104	1241486	WATER INLET SILK SCREEN PRINTING F. HAND
105	1241487	RING NUT FOR INLET TAP KNOB
106	1241485	WATER INLET TAP KNOB $\varnothing$ 42 mm
135	1186424	O-RING GASKET 02062 EPDM
137	1245562	BOILER-PUMP PRESSURE GAUGE $\varnothing$ 60 mm
139	1320531	PRESSURE SWITCH P302/6 3-POLES 30A
140	1241408	WATER INLET TAP KNOB



## WATER INLET AND LEVEL BOILER



IT2101

Positions without LF code no.: upon request



# ITALCREM

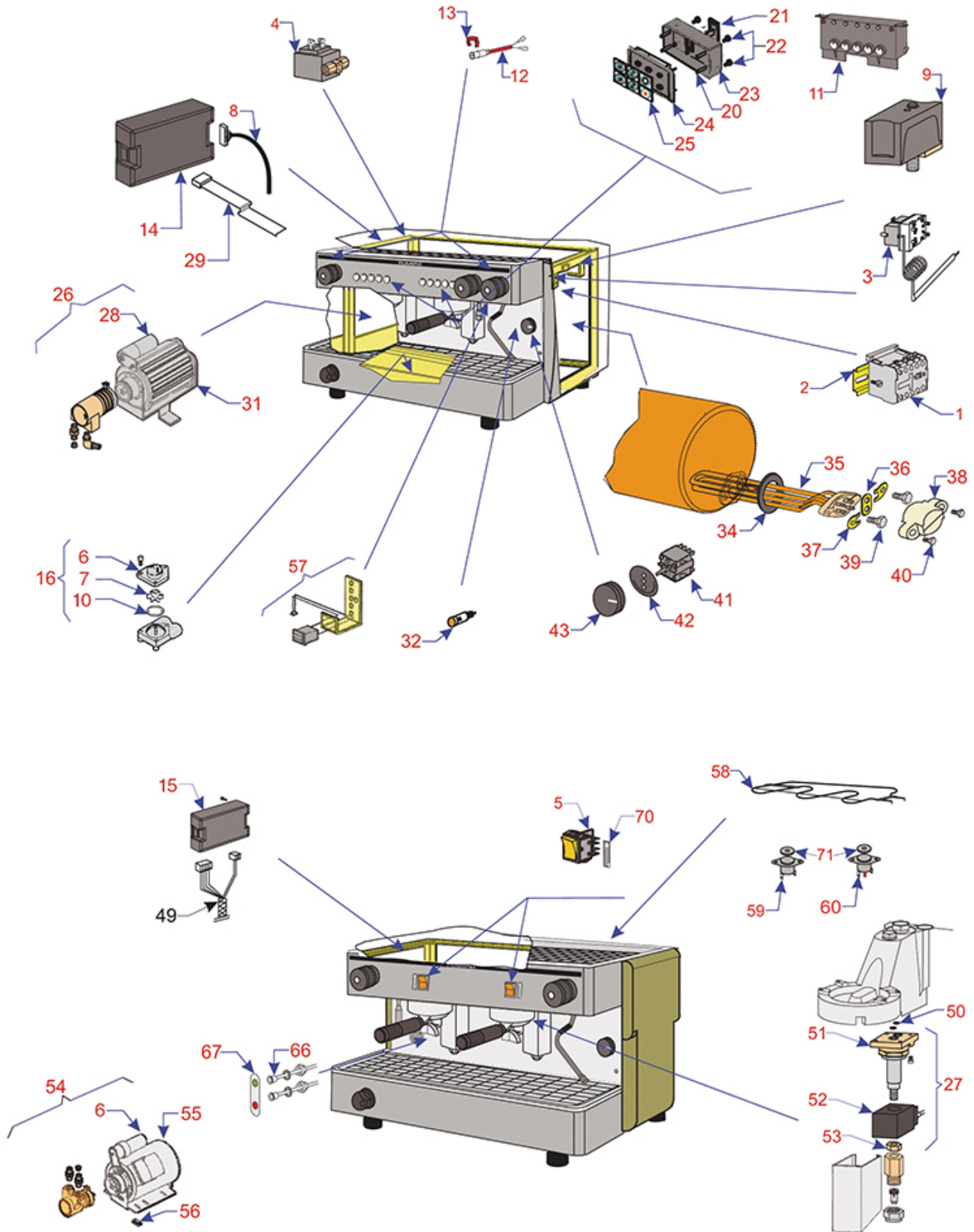


Position	LF code no.	Description
1	5024205	COMPLETE LEVEL GAUGE
4	1186611	O-RING 02025 RED SILICONE
5	1323003	STAINLESS STEEL BALL $\varnothing$ 8 mm
7	1186232	COPPER FLAT GASKET $\varnothing$ 19x13.5x1.5 mm
9	1186236	O-RING 03043 VITON
10	1520562	LEVEL GLASS $\varnothing$ 11x108 mm
18	3341011	LEVEL PROBE $\varnothing$ 1/4"M-140 mm
24	1515100	BOILER VALVE $\varnothing$ 3/8"M 1.8bar CE-PED
25	1186620	COPPER FLAT GASKET $\varnothing$ 22x17x1.5 mm
37	1186422	O-RING 0108 EPDM
39	1323415	STAINLESS STEEL BALL $\varnothing$ 11 mm
40	1250202	SPRING $\varnothing$ 8x30 mm
41	1186346	O-RING 02043 EPDM
61	1349408	CONICAL COUPLING
90	1348306	WATER INLET TAP
91	1523503	INLET VALVE
94	1250536	SPRING $\varnothing$ 13x42 mm
95	1186330	WASHER FLAT BRASS $\varnothing$ 6.8x3.2x0.5 mm
97	1324015	PIN FOR INLET VALVE
98	1186330	WASHER FLAT BRASS $\varnothing$ 6.8x3.2x0.5 mm
99	1186128	CONICAL EPDM SEAL $\varnothing$ 12x4x4 mm
100	1186252	O-RING 0040-20 EPDM
101	1348306	WATER INLET TAP
106	1241408	WATER INLET TAP KNOB
111	1523701	NON-RETURN VALVE $\varnothing$ 3/8"M-3/8"M
135	1186424	O-RING GASKET 02062 EPDM



## ELECTRICAL PARTS CAPRI

### ITALCREM CAPRI



IT3001

Positions without LF code no.: upon request





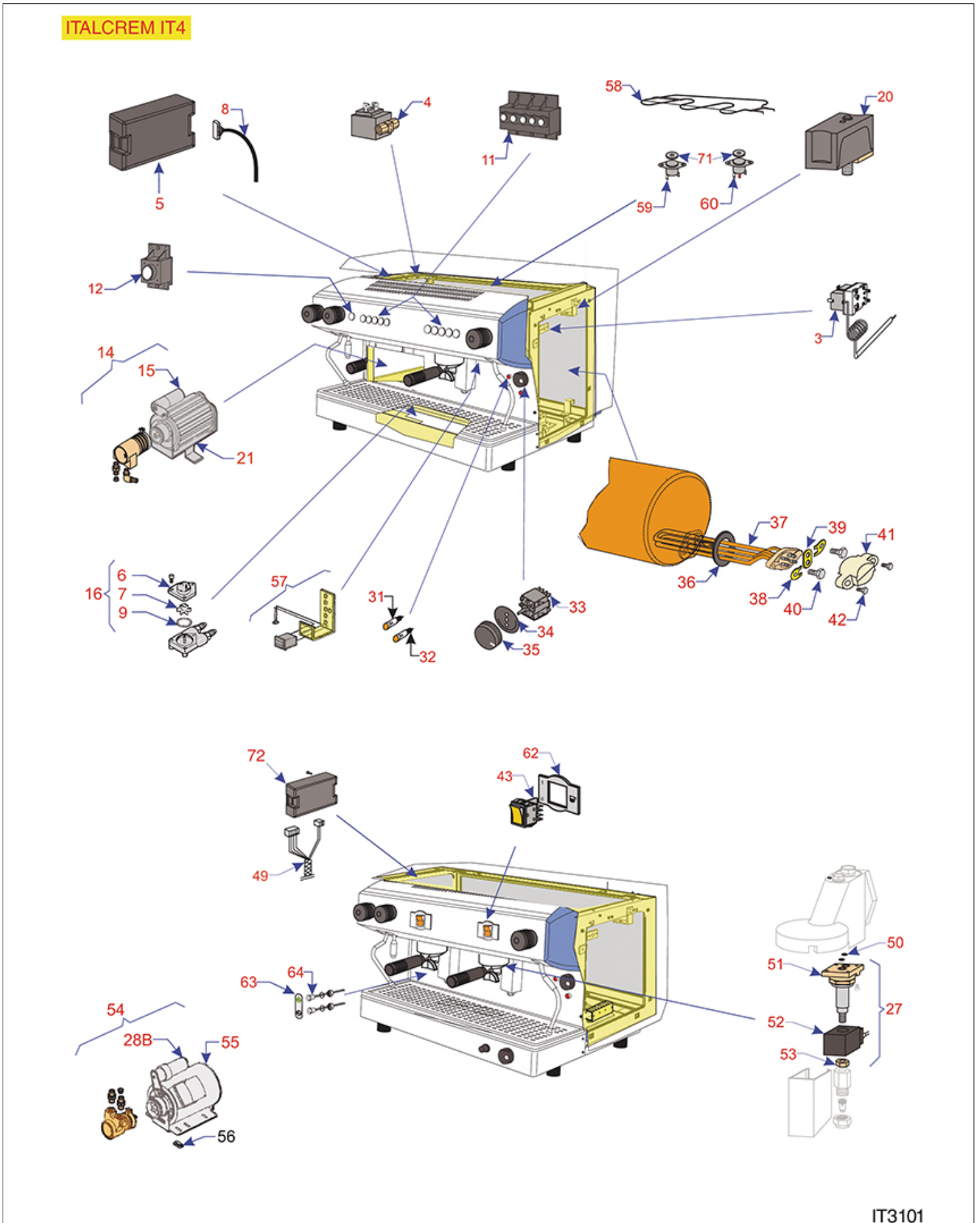
# ITALCREM



Position	LF code no.	Description
3	1444509	THREE-PHASE THERMOSTAT 169°C
4	1120308	2-WAY SOLENOID VALVE SIRAI 230V 50Hz
5	1319035	WHITE BIPOLAR SWITCH 16A 250V
6	3068014	CAPACITOR $\mu$ F 8 450V 50/60Hz
6	3455333	VOLUMETRIC FLOWMETER COVER
7	1455032	IMPELLER GICAR
9	1320531	PRESSURE SWITCH P302/6 3-POLES 30A
10	1186631	O-RING 02112 VITON
11	1319638	PUSH-BUTTON PANEL 5 BUTTONS
14	1054551	DOSER CONTROL BOX 1-2-3-4 GROUPS 230V
15	1341200	LEVEL REGULATOR 230V 50/60Hz 5A
16	1455067	VOLUMETRIC FLOWMETER GICAR
24	1319065	PUSH-BUTTON PANEL 5 BUTTONS
25	1319064	PUSH-BUTTON PANEL MEMBRANE 6 BUTTONS
25	1319069	PUSH-BUTTON PANEL MEMBRANE 6 BUTTONS
27	1120476	3-WAY SOLENOID VALVE PARKER 230V 50/60Hz
28	3068006	CAPACITOR $\mu$ F 4 450V 50/60Hz
32	1221301	RED INDICATOR LAMP 250V
34	1186179	PTFE FLAT GASKET $\varnothing$ 57x43x3 mm
35	1755107	HEATING ELEMENT 2600W 220V
35	1755108	HEATING ELEMENT 3700W 220V
35	1755136	HEATING ELEMENT 3000W 230V
41	1319031	SELECTOR SWITCH 0-2 POSITIONS 16A 250V
43	1241430	KNOB $\varnothing$ 42 mm
50	1186612	O-RING 02025 VITON
51	1120339	3-WAY MECHANICAL COMPONENT PARKER
52	1120361	COIL PARKER YB09 220/230V 9W 50/60Hz



## ELECTRICAL PARTS IT4





# ITALCREM



Position	LF code no.	Description
3	1444509	THREE-PHASE THERMOSTAT 169°C
4	1120308	2-WAY SOLENOID VALVE SIRAI 230V 50Hz
5	1054551	DOSER CONTROL BOX 1-2-3-4 GROUPS 230V
6	3455333	VOLUMETRIC FLOWMETER COVER
7	1455032	IMPELLER GICAR
9	1186631	O-RING 02112 VITON
15	3068006	CAPACITOR $\mu$ F 4 450V 50/60Hz
16	1455067	VOLUMETRIC FLOWMETER GICAR
20	1320531	PRESSURE SWITCH P302/6 3-POLES 30A
27	1120476	3-WAY SOLENOID VALVE PARKER 230V 50/60Hz
31	1221301	RED INDICATOR LAMP 250V
32	1221302	ORANGE INDICATOR LAMP 250V
33	1319031	SELECTOR SWITCH 0-2 POSITIONS 16A 250V
35	1241430	KNOB $\varnothing$ 42 mm
36	1186179	PTFE FLAT GASKET $\varnothing$ 57x43x3 mm
37	1755136	HEATING ELEMENT 3000W 230V
37	1755210	HEATING ELEMENT 3500W 230V
43	1319035	WHITE BIPOLAR SWITCH 16A 250V
50	1186612	O-RING 02025 VITON
51	1120339	3-WAY MECHANICAL COMPONENT PARKER
52	1120361	COIL PARKER YB09 220/230V 9W 50/60Hz
72	1341200	LEVEL REGULATOR 230V 50/60Hz 5A





# ITALCREM



Photo	LF Code	Dimensions	Material	For heating elements
2	1186455	∅ 65x47x1.5 mm	PTFE	RANCILIO - RANCILIO
3	3186011	∅ 63x48x2 mm	CARBO	RANCILIO - RANCILIO
1	3186290	OR 04187	EPDM	RENEKA
3	1186637	∅ 56x47x3 mm	CARBO	SAN MARCO
2	1186516	∅ 26x17x2 mm	PTFE	SPAZIALE S1
1	1186705	OR 03168	VITON	SPAZIALE S1
2	1186639	∅ 62x51x2 mm	PTFE	SPAZIALE
1	1186715	OR 0159	VITON	SPAZIALE
4	1186636	∅ 62x51x2 mm	ESENTE	SPAZIALE
1	1186241	OR 04262	VITON	UNIC

Photo	LF Code	Dimensions	Material	Suitable for
1	1786309	∅ 14.5x7x8 mm	PTFE	ITALCREM 08397800



## UNIVERSAL SPOUTS



Photo	LF Code	Connection ( $\varnothing$ )
1	1022501	3/8
2	1022504	3/8
3	1022503	3/8
4	5031337	3/8

## UNIVERSAL SPOUTS



Photo	LF Code	Connection ( $\varnothing$ )
1	1022502	3/8
2	1022521	3/8
3	1022523	3/8
4	1022522	3/8
5	1022551	3/8

## "PRECISION" SHOWER SCREENS ITALCREM



Photo	LF Code	Dimensions	Membrane	Suitable for	For machine model
1	1460201	ø 60.0 mm	200 µM	ITALCREM	CAPRI - IT4
2	1460206	ø 60.0 mm	35 µM	ITALCREM	CAPRI - IT4
3	1081401	ø 60.0 mm	200 µM PTFE	ITALCREM	CAPRI - IT4

Docce progettate per ottenere la perfetta estrazione del caffè , acciaio Aisi 316 , certificate alimentare

## ASBESTOS FREE FLAT GASKETS



LF Code	Dimensions	Notes
1186042	ø 9x5x1 mm	---
3186341	ø 9x6x1 mm	---
3786349	ø 14x9x2 mm	---
1186041	ø 14.5x10x2 mm	---
1186148	ø 15x7x2 mm	---
3186172	ø 15x9x2 mm	---
1186112	ø 15x10x1 mm	---
1186437	ø 16x12x2 mm	---
1186039	ø 17x13x2 mm	---
1186784	ø 17.5x13x2 mm	---
3786543	ø 18x12x1 mm	---
3786562	ø 18x12x2 mm	---
3786350	ø 18x12x2 mm	---
3186237	ø 19x11x2 mm	---
1186394	ø 22x17x2 mm	---
1186149	ø 22x18x2 mm	---
1186368	ø 23.5x20x1 mm	---
3786351	ø 24x16x2 mm	---
3186575	ø 25x12x2 mm	---
1186340	ø 26x20x2 mm	---
1186183	ø 29x16.5x2 mm	---
1186136	ø 29x22x2 mm	---
3186138	ø 30x21x2 mm	---
1186124	ø 30x24x2 mm	---
3186005	ø 32x26x3 mm	---
1186141	ø 34x26.5x2 mm	---
1186757	ø 36x30x2 mm	---
3186009	ø 45x33x2 mm	---



# ITALCREM



LF Code	Dimensions	Notes
1186125	∅ 50x38x4 mm	---
1186156	∅ 50x40x2 mm	FOR HEATING ELEMENTS BOOSTED - PER RESISTENZE BOOSTED
1786227	∅ 54x40x1.5 mm	---
3186010	∅ 54x42x2 mm	FOR HEATING ELEMENTS ∅ 1"1/4 - PER RESISTENZE ∅ 1"1/4
3786374	∅ 57x45x1.5 mm	---
3186242	∅ 61x46x2 mm	---
1186636	∅ 62x51x2 mm	FOR HEATING ELEMENTS - PER RESISTENZE
3186012	∅ 80x60x2 mm	---
3786471	∅ 90x77x2 mm	---

## BALL VALVES



1

2

3

Photo	LF Code	Connections	Suitable for	For machine model
1	3526706	∅ 1/8"FF	UNIVERSAL	---
1	3526698	∅ 1/4"FF	BEZZERA 7451501	BZ35 - BZ40 - B2000 - B2013 - B3000 - B4000 - B6000
1	3526698	∅ 1/4"FF	SPAZIALE 08103	S5 COMPACT - S8 COMPACT - S9 COMPACT
1	3526702	∅ 3/8"FF	UNIVERSAL	---
1	3526703	∅ 1/2"FF	UNIVERSAL	---
1	3526707	∅ 3/4"FF	UNIVERSAL	---
2	3526697	∅ 1/8"MF	SAN MARCO 202241	NEW 105 - 100 - 105 - 85 - 95
2	3526699	∅ 1/4"MF	MANY BRANDS - MOLTI MARCHI	SEVERAL APPLICATIONS - MOLTE APPLICAZIONI
2	3526244	∅ 1/4"M-1/8"F	SAN MARCO 202244	95 - 105
2	3526704	∅ 3/8"MF	MARZOCCO L164	FB70 - FB80 - GB5 - GS3 - LINEA - MISTRAL
2	3526704	∅ 3/8"MF	NUOVA SIMONELLI 09000016	APPPIA - AURELIA - PREMIER
2	3526704	∅ 3/8"MF	VICTORIA ARDUINO 09000016	ADONIS - ATHENA - ATHENA LEVA
2	3526705	∅ 1/2"MF	UNIVERSAL	---
3	1525002	∅ 1/4"M-1/4"F	ASTORIA/CMA 20227003	PLUS4YOU
3	1525002	∅ 1/4"M-1/4"F	WEGA WY20227003	CONCEPT

## BOILER SAFETY VALVES



1

2

Photo	LF Code	Technical notes	Suitable for
1	1515100	∅ 3/8"M 1.8 bar CE-PED	ALL BRANDS - TUTTE LE MARCHE
1	1515120	∅ 3/8"M 1.9 bar CE-PED	ALL BRANDS - TUTTE LE MARCHE
2	1515110	∅ 1/2"M 1.8 bar CE-PED	ALL BRANDS - TUTTE LE MARCHE
2	1523022	∅ 1/2"M 1.5 bar CE-PED	SPAZIALE





## BOILER SAFETY VALVES



Photo	LF Code	Technical notes	Suitable for
1	1523543	∅ M18x1.5 1.8 bar	SAN MARCO OLD - VERSIONI VECCHIE
1	1523545	∅ M19x1.5 1.8 bar	GAGGIA OLD - VERSIONI VECCHIE
1	1523544	∅ M22x1.5 1.8 bar	PAVONI OLD - VERSIONI VECCHIE
2	1515003	∅ 1/4" M 2.1 bar	NUOVA SIMONELLI - VICTORIA ARDUINO
3	1523121	∅ 3/8" M 1.5 bar CE-PED	ELEKTRA
3	1523029	∅ 3/8" M 1.6 bar CE-PED	EXPOBAR - PROMAC - RANCILIO
3	1523059	∅ 3/8" M 1.8 bar CE-PED	ALL BRANDS - TUTTE LE MARCHE
3	1515025	∅ 3/8" M 1.9 bar CE-PED	CARIMALI - RANCILIO
3	1515007	∅ 3/8" M 2.0 bar CE-PED	CIMBALI - FAEMA
4	1523574	∅ 3/8" M 1.1 bar CE-PED	---
4	1523003	∅ 3/8" M 1.6 bar CE-PED	BRASILIA - FIAMMA - SAB ITALIA
4	1523572	∅ 3/8" M 1.8 bar CE-PED	ALL BRANDS - TUTTE LE MARCHE
5	1523571	∅ 1/4" M 1.8 bar CE-PED	---
5	1515004	∅ 1/4" M 2.0 bar CE-PED	CASADIO - CIMBALI - FAEMA
5	1515005	∅ 3/8" M 1.8 bar CE-PED	SANREMO
6	1515006	∅ 3/8" M-3/8" M 1.8 bar CE-PED	BFC - ROYAL
6	1515017	∅ 3/8" M-3/4" M 1.8 bar CE-PED	GAGGIA

## BOTTOMLESS FILTER HOLDERS



LF Code	Suitable for	Wings	Adapter filter for pods	Notes
1165034	Astoria / CMA	6.0 mm	No	---
1165117	Astoria / CMA	6.5 mm	No	Plus 4 you / Concept
1165181	Bezzera	5.8 mm	Yes	---
1165035	Brasilia	5.5 mm	Yes	---
1165038	Carimali	6.0 mm	No	---
1165182	Cimbali	5.5 mm	Yes	---
1165039	Conti	8.0 mm	No	---
1165119	Dalla Corte	9.0 mm	No	---
1165192	Expobar	6.2 mm	Yes	---
1165183	Faema	7.2 mm	Yes	---
1165195	Fiorenzato cs	6.4 mm	Yes	---
1165184	Futurmat	7.2 mm	No	---
1165185	Gaggia	6.6 mm	Yes	---
1165194	Grimac	7.0 mm	Yes	---
1165186	Marzocco	6.5 mm	Yes	---
1165086	Marzocco	6.8 mm	Yes	---
1165118	Nuova Simonelli	7.0 mm	No	Slanted body / Corpo inclinato



LF Code	Suitable for	Wings	Adapter filter for pods	Notes
5030988	Pavoni	5.6 mm	Yes	---
1165187	Rancilio	6.2 mm	Yes	---
1165185	Saeco	6.6 mm	No	---
1165191	San Marco	7.0 mm	Yes	---
1165193	Sanremo	6.4 mm	Yes	---
5050620	Spaziale	6.0 mm	Yes	---
1165188	Vibiemme	6.2 mm	Yes	---
1165189	Wega	6.4 mm	Yes	---

## BRASS WASHERS



LF Code	Dimensions	Suitable for	Notes
1186446	∅ 28x17x2 mm	ASTORIA/CMA 25651	SEVERAL APPLICATIONS - MOLTE APPLICAZIONI
1186035	---	ASTORIA/CMA 25652	FOR LEVEL - PER LIVELLO
1528095	∅ 15.4x9x1 mm	ASTORIA/CMA 25653	FOR INLET TAPS - PER RUBINETTI CARICO
1186376	∅ 12x8x1 mm	ASTORIA/CMA 25655	FOR STEAM/WATER TAPS - PER RUBINETTI VAPORE/ACQUA
1186298	∅ 13x6x0.5 mm	CIMBALI	FOR BREW GROUPS - PER GRUPPI EROGAZIONE
1186380	---	ELEKTRA 01380035	FOR LEVEL - PER LIVELLO
1186319	∅ 13.9x8.3x1 mm	FAEMA 4051050569	FOR STEAM/WATER TAPS - PER RUBINETTI VAPORE/ACQUA
1186330	∅ 6.8x3.2x0.5 mm	FAEMA 4051136002	FOR BREW GROUPS - PER GRUPPI EROGAZIONE
1528130	∅ 26x16.5x1 mm	FAEMA 4051052071	FOR STEAM/WATER TAPS - PER RUBINETTI VAPORE/ACQUA
1186330	∅ 6.8x3.2x0.5 mm	FUTURMAT 04527503	FOR BREW GROUPS - PER GRUPPI EROGAZIONE
1186306	∅ 10x5x1 mm	FUTURMAT 04715801	FOR BREW GROUPS - PER GRUPPI EROGAZIONE
1186283	∅ 14.5x7x2 mm	FUTURMAT 08165508	FOR STEAM/WATER TAPS - PER RUBINETTI VAPORE/ACQUA
1528029	∅ 12x7x1 mm	GAGGIA S313001	G105 - G106
1528025	∅ 17x12x1 mm	GAGGIA S313003	G105 - G106
1186685	---	GRIMAC 1300900066-GR296	FOR LEVEL - PER LIVELLO
1186732	∅ 15x8.4x1 mm	GRIMAC GR354	FOR STEAM/WATER TAPS - PER RUBINETTI VAPORE/ACQUA
1186681	---	GRIMAC GR738	FOR STEAM/WATER TAPS - PER RUBINETTI VAPORE/ACQUA
1528018	∅ 14x6.5x0.5 mm	MARZOCCO I.4.001	FOR STEAM/WATER TAPS - PER RUBINETTI VAPORE/ACQUA
1528130	∅ 26x16.5x1 mm	MARZOCCO L165/2	FOR BREW GROUPS - PER GRUPPI EROGAZIONE
1186035	---	MCE 25652	FOR LEVEL - PER LIVELLO
1186035	---	ORCHESTRALE D25652	FOR LEVEL - PER LIVELLO
1528029	∅ 12x7x1 mm	PAVONI 313001	EUROPICCOLA - PROFESSIONAL - ROMANTICA - STRADIVARI
1528025	∅ 17x12x1 mm	PAVONI 313003	EUROPICCOLA - PROFESSIONAL - ROMANTICA - STRADIVARI
1528028	∅ 14.5x9.5x1.5 mm	PAVONI 313004	EUROPICCOLA - PROFESSIONAL - STRADIVARI
1186330	∅ 6.8x3.2x0.5 mm	PAVONI 401050	FOR BREW GROUPS - PER GRUPPI EROGAZIONE
1186814	---	RANCILIO 23123003	FOR STEAM/WATER TAPS - PER RUBINETTI VAPORE/ACQUA
1186807	∅ 18x13x0.5 mm	RANCILIO 23131005	FOR LEVEL - PER LIVELLO
1528017	∅ 17x9x1 mm	RANCILIO 32239002	FOR STEAM/WATER TAPS - PER RUBINETTI VAPORE/ACQUA
1186992	∅ 15x7x0.8 mm	SAN MARCO 205081	FOR BREW GROUPS - PER GRUPPI EROGAZIONE
1186462	∅ 12x8x2 mm	SAN MARCO 205305	FOR INLET TAPS - PER RUBINETTI CARICO
1528018	∅ 14x6.5x0.5 mm	SCALA C-0270	FOR STEAM/WATER TAPS - PER RUBINETTI VAPORE/ACQUA
1186732	∅ 15x8.4x1 mm	VIBIEMME RACCROGU	FOR STEAM/WATER TAPS - PER RUBINETTI VAPORE/ACQUA
1186330	∅ 6.8x3.2x0.5 mm	VIBIEMME RACCROPOGU	FOR STEAM/WATER TAPS - PER RUBINETTI VAPORE/ACQUA
1186306	∅ 10x5x1 mm	WEGA W10526	FOR INLET TAPS - PER RUBINETTI CARICO
1186446	∅ 28x17x2 mm	WEGA WY25651	SEVERAL APPLICATIONS - MOLTE APPLICAZIONI
1186035	---	WEGA WY25652	FOR LEVEL - PER LIVELLO
1528095	∅ 15.4x9x1 mm	WEGA WY25653	FOR INLET TAPS - PER RUBINETTI CARICO
1186376	∅ 12x8x1 mm	WEGA WY25655	FOR STEAM/WATER TAPS - PER RUBINETTI VAPORE/ACQUA
1186330	∅ 6.8x3.2x0.5 mm	WEGA WY27421011	FOR BREW GROUPS - PER GRUPPI EROGAZIONE

## CAPPUCCINATORE MINI



Photo	LF Code	Suitable for
1	1079001	BRASILIA - GRIMAC - SAECO
2	1079008	GRIMAC - PAVONI - RDL - SAECO - SPINEL
3	1079018	BFC - BRASILIA - GRIMAC - SAECO
4	5500786	BRASILIA - GRIMAC - SAECO
5	1079015	GRIMAC - PAVONI - RDL - SAECO - SPINEL

## CAPPUCCINATORE STANDARD



Photo	LF Code	Suitable for
1	1079022	ASTORIA/CMA - CARIMALI - NUOVA SIMONELLI - WEGA
2	1079002	BRASILIA - BRUGNETTI - CARIMALI - NUOVA SIMONELLI
3	1079006	UNIVERSAL

## CAPS ITALCREM



Photo	LF Code	Dimensions	Notes	Suitable for	For machine model
1	5030808	∅ 3/8" M	FOR BREW GROUPS - PER GRUPPI EROGAZIONE	ITALCREM 07557200	CAPRI - IT4



## CARBO FLAT GASKETS



LF Code	Dimensions	Suitable for	Notes
1186517	ø 31x21x3 mm	---	---
1186547	ø 32x24x1.5 mm	NUOVA SIMONELLI	FOR BREW GROUPS - PER GRUPPI EROGAZIONE
1186627	ø 41x33x3 mm	---	FOR HEATING ELEMENTS ø 1" - PER RESISTENZE ø 1"
1786215	ø 50x40x2 mm	ASTORIA/CMA	FOR HEATING ELEMENTS BOOSTED - PER RESISTENZE BOOSTED
1186633	ø 53x42x3 mm	---	FOR HEATING ELEMENTS ø 1"1/4 - PER RESISTENZE ø 1"1/4
1186942	ø 55x42x2 mm	ELEKTRA	FOR HEATING ELEMENTS - PER RESISTENZE
1186637	ø 56x47x3 mm	SAN MARCO	FOR HEATING ELEMENTS - PER RESISTENZE
1186606	ø 57x43x3 mm	---	FOR HEATING ELEMENTS MOD FAEMA - PER RESISTENZE MOD FAEMA
1186607	ø 57.8x50x3 mm	CIMBALI	FOR HEATING ELEMENTS - PER RESISTENZE
3186011	ø 63x48x2 mm	RANCILIO	FOR HEATING ELEMENTS - PER RESISTENZE
1186638	ø 67x55x3 mm	NUOVA SIMONELLI	FOR HEATING ELEMENTS - PER RESISTENZE
1186548	ø 73x61.5x1.5 mm	NUOVA SIMONELLI	FOR BREW GROUPS - PER GRUPPI EROGAZIONE
1186320	ø 87x81x0.5 mm	MARZOCCO	FOR BREW GROUPS - PER GRUPPI EROGAZIONE

## COFFEE FILTERS ITALCREM



Photo	LF Code	Model	Suitable for	Notes
1	1160060	1 CUP - 6 gr	ITALCREM 01441807	---
1	1160062	1 CUP - 7 gr	ITALCREM 02183002	---
2	1160061	2 CUPS - 12 gr	ITALCREM 01657501	---
2	1160063	2 CUPS - 14 gr	ITALCREM 02199404	---
3	1160339	BLIND - CIECO	ITALCREM 02190205	---
4	1160503	POD 1 CUP	ITALCREM 08365000	---
4	1160504	POD 2 CUPS	ITALCREM 08365100	---

## COFFEE GROUPS AND SPARE PARTS ITALCREM



Photo	LF Code	Suitable for	For machine model
1	1201572	ITALCREM 07716806	CAPRI
2	1349403	ITALCREM 07690506	CAPRI
3	1349404	ITALCREM 07976004	CAPRI
4	1349405	ITALCREM 07975910	CAPRI

## COFFEE GROUPS SPRINKLERS

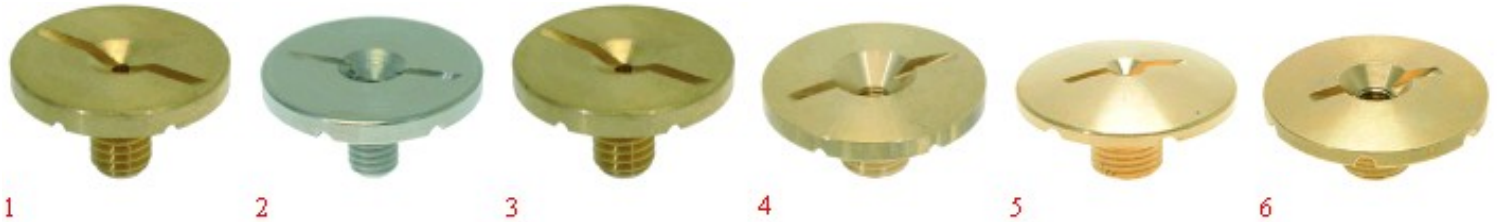


Photo	LF Code	Dimensions	Hole	Suitable for	For machine model
1	1501565	∅ 21 mm M5x1	---	FAEMA 4161133848	COMPACT - DUE - ELITE - ENOVA - EXPRESS - E61
1	1501565	∅ 21 mm M5x1	---	FUTURMAT 02476109	---
2	1510004	∅ 21 mm M5x1	---	CASADIO 457342000	DIECIA - DIECIS
2	1510004	∅ 21 mm M5x1	---	CIMBALI 457-342-000	M27 2008
2	1510004	∅ 21 mm M5x1	---	FAEMA 457342000	DUESMART - EMBLEMA - ENOVA - E61 - SMARTRESTY
3	1501560	∅ 21 mm M6x1	---	VIBIEMME RACCSPGRKO	EVOLUTION - KOMETA - LOLLO - MINIMAX - SILVER
4	1501007	∅ 30 mm M10x1	M5	MCE 27105000	START
4	1501007	∅ 30 mm M10x1	M5	ORCHESTRALE D27105000	ETNICA - PHONICA
4	1501007	∅ 30 mm M10x1	M5	WEGA WY27105000	AIRY - ATLAS - COLOSSEUM - COMBI NOVA - ESPRESSA - START
5	1501561	∅ 30 mm M10x1	---	BEZZERA 7479941	GALATEA - GALATEA DOMUS - GIULIA - UNICA
5	1501561	∅ 30 mm M10x1	---	BFC 0520070	CLASSICA - DELUX - GALILEO - IMOLA - JUNIOR - LA VITTORIA
5	1501561	∅ 30 mm M10x1	---	BIANCHI 43051216	LUCIA - SARA - SOFIA
5	1501561	∅ 30 mm M10x1	---	BRASILIA 04089.0.00.04	GRADISCA
5	1501561	∅ 30 mm M10x1	---	ECM C229901128	GIOTTO - LAURA - VENEZIANO
5	1501561	∅ 30 mm M10x1	---	ECM MANUFACTURE C229901128	CLASSIKA II - ELEKTRONIKA II PROFI - ELEKTRONIKA II PROFI
5	1501561	∅ 30 mm M10x1	---	EXPOBAR CTAV1-11	EB61 - OFFICE
5	1501561	∅ 30 mm M10x1	---	FAEMA	E61
5	1501561	∅ 30 mm M10x1	---	FIAMMA RST 5.0.025.0009	ATLANTIC - MARINA - PRESTIGE
5	1501561	∅ 30 mm M10x1	---	FIORENZATO C.S A2200170	BRICOLETTA - COLOMBINA - DUCALE - FENICE - LIDO - VOLANTE
5	1501561	∅ 30 mm M10x1	---	FUTURMAT 02012904	ARIETE - CUSTOM - F3 - RIMINI
5	1501561	∅ 30 mm M10x1	---	GAGGIA SPAGNA 02012904	BELLA - G6 - KB
5	1501561	∅ 30 mm M10x1	---	GRIMAC 1201300006-GR762	ECLISSE - MIA - TEN - TWENTY - ZOLA I - ZOLA II
5	1501561	∅ 30 mm M10x1	---	ITALCREM 02012904	IT4
5	1501561	∅ 30 mm M10x1	---	MAIRALI 02012904	ARIANNE
5	1501561	∅ 30 mm M10x1	---	PAVONI	BART
5	1501561	∅ 30 mm M10x1	---	PROMAC 80230080	COMPACT - GREEN
5	1501561	∅ 30 mm M10x1	---	RENEKA AT7479941	AMICI - ATALANTE
5	1501561	∅ 30 mm M10x1	---	ROYAL 0520070	DIADEMA - SYNCHRO
5	1501561	∅ 30 mm M10x1	---	SAB TM-SPR8F400	ELLIPSE - E96 - MODERNA



Photo	LF Code	Dimensions	Hole	Suitable for	For machine model
5	1501561	∅ 30 mm M10x1	---	SANREMO 10052141	AMALFI - CAPRI - MILANO LX - PISA - TORINO - TREVISO
5	1501561	∅ 30 mm M10x1	---	SCALA C-0318	BUTTERFLY - CARMEN - EROICA
5	1501561	∅ 30 mm M10x1	---	VFA	ELITE - MAGESTIC - SPLENDOR
5	1501561	∅ 30 mm M10x1	---	VIBIEMME RACCSPGR	CHIMAERA - DOMOBAR - DOSAPLUS - MERCURY - REPLICA
5	1501561	∅ 30 mm M10x1	---	VISACREM 02012904	BRAVA - V6
5	1501561	∅ 30 mm M10x1	---	WEGA WY27105	AIRY - ATLAS - ATLAS10 - NOVA - NOVECENTO - ORION ECO - P
6	1501568	∅ 30 mm M10x1	M5	PAVONI 314098	P UNO - P TRE
6	1501014	∅ 30 mm M9.6x1	M5	BRUGNETTI/AURORA 000183	ALEXIA - C

## CONTROL BOXES ITALCREM



1

Photo	LF Code	For machines with no. of groups	Power	Suitable for	For machine model
1	1054551	1-2-3-4	230V	ITALCREM 08280307	CAPRI - IT4

## DRAIN TANKS ITALCREM



1

Photo	LF Code	Notes	Suitable for	For machine model
1	1527531	---	ITALCREM 0271/050106	CAPRI - IT4 - PALANCA

## EPDM FLAT GASKETS



LF Code	Dimensions	Suitable for	Notes
1186427	∅ 10x4x2 mm	RANCILIO	FOR BREW GROUPS - PER GRUPPI EROGAZIONE
1186758	∅ 10x4.5x4 mm	MARCFI-ANCAS	FOR INLET TAPS - PER RUBINETTI CARICO
1186342	∅ 11x3x4 mm	CIMBALI - FAEMA	FOR STEAM/WATER TAPS - PER RUBINETTI VAPORE/ACQUA
1186454	∅ 11x3.6x2 mm	PROMAC - RANCILIO	FOR INLET TAPS - PER RUBINETTI CARICO
1186423	∅ 11x4x4 mm	BRASILIA	FOR INLET TAPS - PER RUBINETTI CARICO
1186703	∅ 11x7x7 mm	CIMBALI	FOR BREW GROUPS M15- PER GRUPPI EROGAZIONE M15
1186083	∅ 12x3x4 mm	RENEKA	FOR STEAM/WATER TAPS - PER RUBINETTI VAPORE/ACQUA
1786263	∅ 12.5x8x9 mm	ASTORIA/CMA - WEGA	FOR STEAM/WATER TAPS - PER RUBINETTI VAPORE/ACQUA
1186588	∅ 13x3x4 mm	AZKOYEN	FOR STEAM/WATER TAPS - PER RUBINETTI VAPORE/ACQUA
1186161	∅ 13x4x4 mm	BRASILIA - CONTI - RENEKA	FOR STEAM/WATER TAPS - PER RUBINETTI VAPORE/ACQUA
1186935	∅ 13x4x4 mm	ELEKTRA	FOR STEAM/WATER TAPS - PER RUBINETTI VAPORE/ACQUA



LF Code	Dimensions	Suitable for	Notes
1186935	∅ 13x4x4 mm	GRIMAC	FOR BREW GROUPS - PER GRUPPI EROGAZIONE
1186150	∅ 13x7.4x7 mm	SAN MARCO	FOR INLET TAPS - PER RUBINETTI CARICO
1186111	∅ 14x4x4 mm	BEZZERA	FOR STEAM/WATER TAPS - PER RUBINETTI VAPORE/ACQUA
1186111	∅ 14x4x4 mm	SAN MARCO	FOR BREW GROUPS - PER GRUPPI EROGAZIONE
1186302	∅ 14x4x5 mm	CARIMALI	FOR STEAM/WATER TAPS - PER RUBINETTI VAPORE/ACQUA
1186316	∅ 15x4x4 mm 60SH	ASTORIA/CMA - WEGA	FOR STEAM/WATER TAPS - PER RUBINETTI VAPORE/ACQUA
1186527	∅ 15x4x4 mm 80SH	ASTORIA/CMA - WEGA	FOR STEAM/WATER TAPS - PER RUBINETTI VAPORE/ACQUA
1186515	∅ 15x5.5x3.5 mm	SPAZIALE	FOR STEAM/WATER TAPS - PER RUBINETTI VAPORE/ACQUA
1186369	∅ 15x5.5x4 mm	FUTURMAT	FOR BREW GROUPS - PER GRUPPI EROGAZIONE
1186369	∅ 15x5.5x4 mm	SAN MARCO	FOR STEAM/WATER TAPS - PER RUBINETTI VAPORE/ACQUA
1186985	∅ 15x6x6 mm	GAGGIA	FOR STEAM/WATER TAPS - PER RUBINETTI VAPORE/ACQUA
1186985	∅ 15x6x6 mm	PAVONI	FOR STEAM/WATER TAPS - PER RUBINETTI VAPORE/ACQUA
1186300	∅ 15x7.3x4 mm	CIMBALI	FOR STEAM/WATER TAPS - PER RUBINETTI VAPORE/ACQUA
1186300	∅ 15x7.3x4 mm	GRIMAC	FOR STEAM/WATER TAPS - PER RUBINETTI VAPORE/ACQUA
1186057	∅ 15.3x7.7x4 mm	BRASILIA	FOR STEAM/WATER TAPS - PER RUBINETTI VAPORE/ACQUA
1186312	∅ 15.5x7.5x4 mm	MANY BRANDS - MOLTI MARCHI	SEVERAL APPLICATIONS - MOLTE APPLICAZIONI
1186233	∅ 16x4x5 mm	UNIC	FOR STEAM/WATER TAPS - PER RUBINETTI VAPORE/ACQUA
1186282	∅ 16.5x6x4 mm	SAN MARCO	FOR BREW GROUPS - PER GRUPPI EROGAZIONE
1186170	∅ 18x4x4 mm	CARIMALI	FOR STEAM/WATER TAPS - PER RUBINETTI VAPORE/ACQUA
3449039	∅ 18x11x2 mm	---	FOR INLET HOSES ∅ 1/2" - PER TUBI CARICO ∅ 1/2"
1186102	∅ 19x3.5x4 mm	BEZZERA	FOR STEAM/WATER TAPS - PER RUBINETTI VAPORE/ACQUA
1186958	∅ 20.5x15x2 mm	CIMBALI	FOR STEAM/WATER TAPS - PER RUBINETTI VAPORE/ACQUA
1186066	∅ 21x15x3 mm	BRASILIA	FOR STEAM/WATER TAPS - PER RUBINETTI VAPORE/ACQUA
1186410	∅ 21x16x2 mm	RANCILIO	FOR BREW GROUPS - PER GRUPPI EROGAZIONE
1186410	∅ 21x16x2 mm	RENEKA	FOR STEAM/WATER TAPS - PER RUBINETTI VAPORE/ACQUA
1786222	∅ 22x18x1.5 mm	CIMBALI	FOR BOOSTER PUMPS - PER POMPE VOLUMETRICHE
3449026	∅ 24x12x2 mm	---	FOR INLET HOSES ∅ 3/4" - PER TUBI CARICO ∅ 3/4"
1786231	∅ 24x15x3 mm	GAGGIA	FOR INLET TAPS - PER RUBINETTI CARICO
1786231	∅ 24x15x3 mm	PAVONI	FOR STEAM/WATER TAPS - PER RUBINETTI VAPORE/ACQUA
1786315	∅ 51.3x43x5 mm	ISOMAC	FOR BREW GROUPS - PER GRUPPI EROGAZIONE

## EXPANSION AND NON-RETURN VALVES "UNIVERSAL"



Photo	LF Code	Dimensions
1	1523036	∅ 1/8"M-1/8"F
2	1523700	∅ 1/8"M-1/8"M
3	3349281	∅ 3/8"F-3/8"F
4	3349283	∅ 3/4"F-3/4"F
5	1523072	∅ 3/8"M



## EXPANSION AND NON-RETURN VALVES ITALCREM



Photo	LF Code	Dimensions	Suitable for	For machine model
1	1523701	ø 3/8"M-3/8"M	ITALCREM 08132600	PALANCA
2	1523526	---	ITALCREM 07843808	CAPRI - IT4

## FILTER HOLDER GASKETS ITALCREM



Photo	LF Code	Dimensions (mm)	Notes	Suitable for	For machine model
1	1186722	ø 73x57x8	---	ITALCREM 01652809	CAPRI - IT4 - PALANCA
1	1186723	ø 73x57x8.5	---	ITALCREM 01652809	CAPRI - IT4 - PALANCA
1	1186724	ø 73x57x9	---	ITALCREM 01160400	CAPRI - IT4 - PALANCA
1	1486724	ø 73x57x10	---	ITALCREM 01160400	CAPRI - IT4 - PALANCA

## FILTER HOLDER ITALCREM



Photo	LF Code	Wings	Knob	Spouts	Filter	Spring	Suitable for	For machine model
1	1165022	7 mm	M12	3/8	NO	NO	ITALCREM 11252202	ALL MODELS - TUTTI I MODELLI
2	1165036	6.5 mm	M8	3/8	NO	NO	ITALCREM 08103510	ALL MODELS - TUTTI I MODELLI
3	5057230	6.5 mm	M12	3/8	NO	YES	ITALCREM 08485800	NEW MODELS - NUOVI MODELLI
4	5034110	6.5 mm	M12	3/8	NO	YES	ITALCREM 08485900	NEW MODELS - NUOVI MODELLI
5	5055624	6.5 mm	M12	3/8	NO	NO	ITALCREM 08480050	NEW MODELS - NUOVI MODELLI



## FILTER HOLDER KNOBS ITALCREM



Photo	LF Code	Connection	Suitable for
1	1241482	---	ITALCREM 08103600
2	1241488	---	ITALCREM 08233514
3	1241483	M12	ITALCREM 07821705

## FILTER LOCKING SPRING

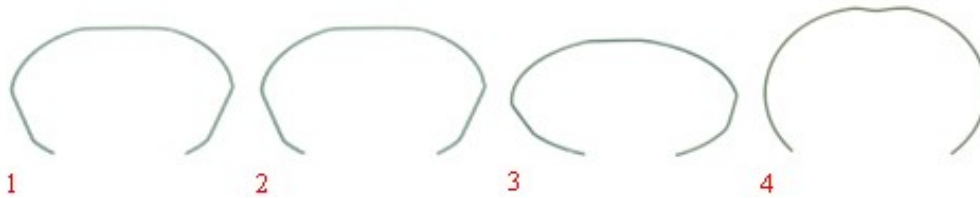
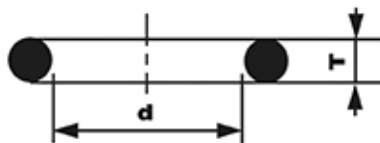


Photo	LF Code	wire $\varnothing$ (mm)	Suitable for
1	1250101	1.00	ALL BRANDS - TUTTI I MARCHI
1	1250002	1.20	ALL BRANDS - TUTTI I MARCHI
1	1250333	1.30	ALL BRANDS - TUTTI I MARCHI
1	1250338	1.40	ALL BRANDS - TUTTI I MARCHI
2	1250279	1.40	ASTORIA/CMA P4Y - WEGA CONCEPT 52
3	5033397	1.00	PAVONI EUROPICCOLA
4	1250018	1.00	ELEKTRA MICROCASA

## GASKETS "OR" RI-R2-R3....R10..

**1.90 - 2.20**  
**2.70 - 3.60 mm**



Dimensions (mm) T x d	Model (new cross-references)	Model (old cross-references)	LF Code (EPDM)	LF Code (VITON)	LF Code (SILICONE)
1.90 x 2.40	OR R0		1786108		
1.90 x 3.40	OR R2		2104557		
1.90 x 4.20	OR R3		1186996	1786316	
1.90 x 4.90	OR R4		1786286		
1.90 x 5.70	OR R5		1186854	1786310	1186610
1.90 x 7.20	OR R6		1186556	1186791	
2.70 x 12.10	OR R10		1786297		
3.60 x 23.00	OR R18		1786157		



## GASKETS FOR GROUP ADJUSTABLE TO SEVERAL BRANDS

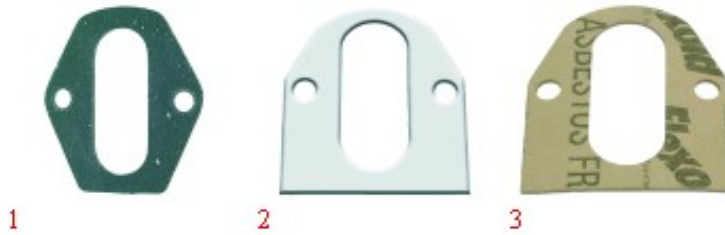


Photo	LF Code	Features	Suitable for	For machine model
1	1186502	79x71x2 mm - CARBO	MANY BRANDS - MOLTI MARCHI	FOR MODEL E61 GROUPS - PER GRUPPI TIPO E61
2	1186508	77x73x2 mm - PTFE	MANY BRANDS - MOLTI MARCHI	FOR MODEL E61 GROUPS - PER GRUPPI TIPO E61
3	1186384	80x70x2 mm - PAPER	MANY BRANDS - MOLTI MARCHI	FOR MODEL E61 GROUPS - PER GRUPPI TIPO E61

## GASKETS FOR GROUP ITALCREM



Photo	LF Code	Features	Suitable for	For machine model
1	1186172	80x72 mm - FREE	ITALCREM 07718604	CAPRI
2	1186259	∅ 86x1 mm - FREE	ITALCREM 08150302	PALANCA

## HEATING ELEMENTS ITALCREM

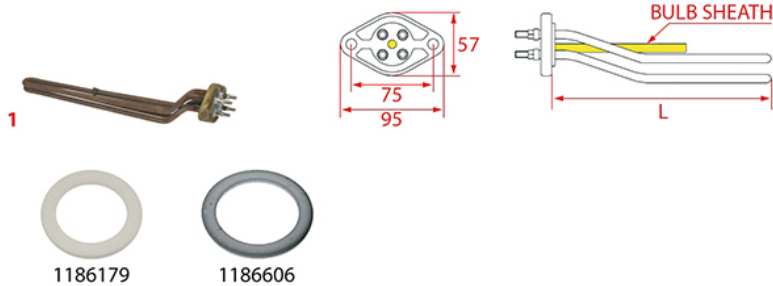


Photo	LF Code	Watt - Volt	L (mm)	Groups	Bulb sheath	Suitable for	For machine model
1	1755136	3000W 230V	250	1	YES	ITALCREM 08024804	CAPRI - IT4 - PALANCA
1	1755107	2600W 220V	325	2	YES	ITALCREM 02212439	CAPRI - IT4 - PALANCA
1	1755210	3500W 230V	340	2	YES	ITALCREM 08148002	CAPRI - IT4 - PALANCA
1	1755108	3700W 220V	455	3	YES	ITALCREM 02212538	CAPRI - IT4 - PALANCA
1	1755109	5000W 220V	660	4	NO	ITALCREM 02212637	CAPRI - IT4 - PALANCA

## INDICATOR LIGHTS ITALCREM



Photo	LF Code	Volt	∅ head - ∅ hole - °C	Suitable for	For machine model
1	1221301	250V	∅ 13 mm - ∅ 10 mm - 120°C	ITALCREM 07847800	CAPRI - IT4 - PALANCA
2	1221302	250V	∅ 13 mm - ∅ 10 mm - 120°C	ITALCREM 07847820	CAPRI - IT4 - PALANCA

## LEVEL GLASS BALLS



Photo	LF Code	Dimensions (mm)	Suitable for
1	1323006	∅ 7	ALL BRANDS - TUTTE LE MARCHE
2	1323001	∅ 5.8	ALL BRANDS - TUTTE LE MARCHE
3	1323007	∅ 9,5	ALL BRANDS - TUTTE LE MARCHE

## LEVEL GLASS GASKETS



Photo	LF Code	Dimensions (mm)	Suitable for
1	1186173	∅ 16.5x10x12.5	MARCFI-ANCAS
1	1186221	∅ 19x11.5x10	CARIMALI - CONTI - NUOVA SIMONELLI
2	1186270	∅ 18x11x4	CONTI
2	1186227	∅ 21x11.5x5	BRUGNETTI/AURORA - FAEMA - FUTURMAT
2	1186251	∅ 18x12x3	RANCILIO
2	1186360	∅ 18x12x2	CIMBALI
3	1401002	∅ 14.5x10x7	BEZZERA
4	1186206	∅ 16x10x8	ASTORIA/CMA - BFC - GRIMAC - NUOVA SIMONELLI - ROYAL
5	1186375	∅ 15x9x8	ELEKTRA
5	1186469	∅ 15x9x5	GAGGIA - PAVONI
6	1186498	∅ 14.5x11x2	EXPOBAR
6	1186256	∅ 31x19x3	SAN MARCO
6	1186266	∅ 26x12x7	UNIC



## LEVEL PROBES ITALCREM



1

Photo	LF Code	Notes	Suitable for	For machine model
1	3341011	∅ 1/4"M-140 mm	ITALCREM 0441/090816	CAPRI - IT4 - PALANCA

## LEVEL REGULATORS ITALCREM



1

Photo	LF Code	Features	Suitable for	For machine model
1	1341200	230V 50/60Hz 5A	ITALCREM 08261307	CAPRI - PALANCA

## MOTORS ITALCREM



1

Photo	LF Code	Model	Suitable for	For machine model
1	1240702	11002728 - 165W 220V 50Hz	ITALCREM 08174104	CAPRI

## NBR FLAT GASKETS



1



2

Photo	LF Code	Dimensions	Suitable for	Notes
1	1186474	∅ 12x7x5 mm	GAGGIA	FOR STEAM/WATER TAPS - PER RUBINETTI VAPORE/ACQUA
1	1186474	∅ 12x7x5 mm	PAVONI	FOR STEAM/WATER TAPS - PER RUBINETTI VAPORE/ACQUA
2	1186311	∅ 13x4x4 mm	MANY BRANDS - MOLTI MARCHI	SEVERAL APPLICATIONS - MOLTE APPLICAZIONI

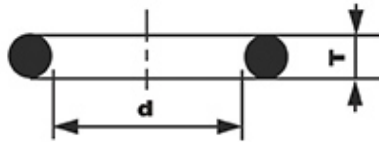
## NOZZLES ITALCREM



Photo	LF Code	Notes	Suitable for	For machine model
1	1501570	---	ITALCREM 08298800	CAPRI - IT4
2	1501531	∅ 8 - ∅ 0.7 mm	ITALCREM 07362106	CAPRI

## O-RING GASKETS THICKNESS 2.62 mm

2.62 mm



Dimensions (mm) T x d	Model (new cross-references)	Model (old cross-references)	LF Code	LF Code	LF Code	LF Code	LF Code
			(EPDM)	(VITON) STANDARD	(SILICONE) RED	(VITON) MIX COLOR	(SILICONE) MIX COLOR
2.62 x 6.02	OR 03024		3786668		1786137		
2.62 x 7.59	OR 03030		1186358	1786155	1786280	1786197	
2.62 x 9.13	OR 0109	OR 0109	1186255	5029740	1186910		3186608
2.62 x 9.19	OR 03037	OR 0111	3186340	1786202			
2.62 x 9.92	OR 0112	OR 0112	1186304		1786049	1186879	1186914
2.62 x 10.78	OR 03043	OR 0113	1186318		3786719	1186236	
2.62 x 11.91	OR 0115	OR 0115	1186805	1186709	1186745		
2.62 x 12.37	OR 03050	OR 0116	3060608	3090132	1186458		
2.62 x 13.10	OR 0117	OR 0117	3243086		1186085		1786234
2.62 x 13.95	OR 03056	OR 0118	3186860		1186762		
2.62 x 15.08	OR 0119	OR 0119	1186414	1186714	3523062		
2.62 x 15.88	OR 0121	OR 0121	3186434	1186246			
2.62 x 17.13	OR 03068	OR 0122	3186181	1786276	1186850		
2.62 x 17.86	OR 0123	OR 0123	3186287		1186000		1199001
2.62 x 18.72	OR 03075	OR 0124	1186356		5059295		
2.62 x 20.24	OR 03081	OR 0127	1186327	5039864	1186026		1186053
2.62 x 20.63	OR 0128	OR 0128	3186183	1186591		1786300	
2.62 x 21.89	OR 03087		1786233		1186796		
2.62 x 22.22	OR 0130	OR 0130	3186253		1186292		
2.62 x 23.47	OR 03093		1186922				
2.62 x 23.81	OR 0132	OR 0132	1186438				
2.62 x 25.07	OR 03100		1186833				
2.62 x 26.65	OR 03106		1186759			5045475	1786243
2.62 x 28.25	OR 03112		3186247	5037072			7104228
2.62 x 29.82	OR 03118		3186458				
2.62 x 31.42	OR 03125		3186244			1186930	
2.62 x 32.99	OR 03131		3186847	5029479	1186920		
2.62 x 34.60	OR 03137		3243250	1186767			
2.62 x 36.14	OR 03143		5027619				
2.62 x 39.34	OR 03156		3786183	1186184			



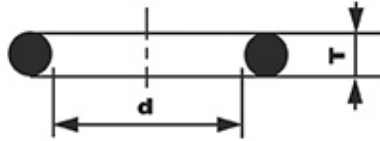
# ITALCREM



Dimensions (mm) T x d	Model (new cross-references)	Model (old cross-references)	LF Code (EPDM)	LF Code (VITON) STANDARD	LF Code (SILICONE) RED	LF Code (VITON) MIX COLOR	LF Code (SILICONE) MIX COLOR
2.62 x 40.95	OR 03162		3243389				
2.62 x 42.52	OR 03168		3160040	1186705			
2.62 x 45.69	OR 03181		1186466				
2.62 x 47.30	OR 03187		3160044		1786313		
2.62 x 48.89	OR 03193		1186672	5055114			
2.62 x 50.47	OR 03200		3186245	5034849		1186948	
2.62 x 53.65	OR 03212		3060038		1186847		
2.62 x 58.42	OR 03231		3186455		1199075		
2.62 x 60.00	OR 03237		3243166				
2.62 x 61.60	OR 03243		3122252				
2.62 x 63.17	OR 03250		3186315				
2.62 x 64.77	OR 03256		1786203	1786153			
2.62 x 67.95	OR 03268		3186248				
2.62 x 71.12	OR 03281		1186625		1186405		
2.62 x 72.69	OR 03287		1186152				
2.62 x 75.87	OR 03300		1186237	1186779			
2.62 x 78.94			3786579				
2.62 x 88.57	OR 03350		5015751		1786124		
2.62 x 94.92	OR 03375		1186605				
2.62 x 215.57	OR 03850		3786202				

## O-RING GASKETS THICKNESS 3.53 mm

3.53 mm



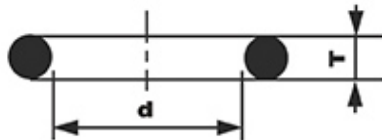
Dimensions (mm) T x d	Model (new cross-references)	Model (old cross-references)	LF Code (EPDM)	LF Code (VITON) STANDARD	LF Code (SILICONE) RED	LF Code (VITON) MIX COLOR	LF Code (SILICONE) MIX COLOR
3.53 x 9.12	OR 04036		6456047	2102713			
3.53 x 15.47	OR 04061		1186019		3786053		
3.53 x 17.04	OR 04067		3786519				
3.53 x 18.64	OR 04075	OR 0125	1186472	1186766	3186610		
3.53 x 20.22	OR 04081	OR 0126	1186238	2111463	1186009		
3.53 x 21.82	OR 04087	OR 0129	1186630	4059475			
3.53 x 23.40	OR 04093	OR 0131	3186143	5028161	1786050		
3.53 x 26.58	OR 04106	OR 0135	1186231		1786119		
3.53 x 28.17	OR 04112	OR 0136	1186480	3786008	1786018		1186869
3.53 x 29.75	OR 04118	OR 0137	3243142	1786167	1186874	1186790	1786199
3.53 x 31.34	OR 04125	OR 0138	1186506		1186010		
3.53 x 32.93	OR 04131	OR 0139	1186655	3186580	1786210	1786098	
3.53 x 34.52	OR 04137	OR 0140	3061040		1186990	1186403	1186963
3.53 x 36.10	OR 04143	OR 0141	3186338		1786118		
3.53 x 37.69	OR 04150	OR 0142	3186197	5034986	1186905		1786168
3.53 x 39.69	OR 0144	OR 0144	3186606		1786099		1186947
3.53 x 40.86	OR 04162		3067198	40C6450	5039021		
3.53 x 41.28	OR 0146	OR 0146	3186238	1186798			
3.53 x 42.86	OR 0147	OR 0147	3186184	1786117	1786140		
3.53 x 44.04	OR 04175		3186175	1786152			
3.53 x 46.04	OR 0150	OR 0150	3786181				
3.53 x 47.22	OR 04187		3186290	1186190			
3.53 x 47.63	OR 0152	OR 0152	1186087			1186931	



Dimensions (mm) T x d	Model (new cross-references)	Model (old cross-references)	LF Code	LF Code	LF Code	LF Code	LF Code
			(EPDM)	(VITON) STANDARD	(SILICONE) RED	(VITON) MIX COLOR	(SILICONE) MIX COLOR
3.53 x 49.21	OR 0153	OR 0153	3786454	5005318	1786116		
3.53 x 50.39	OR 04200		3186601	3786459	4006406		
3.53 x 50.80	OR 0155	OR 0155	3316031		1186503	1786311	
3.53 x 53.57	OR 04212		1186643			5501390	
3.53 x 55.56	OR 0159	OR 0159	3186697	1186715			
3.53 x 56.74	OR 04225		1186799				
3.53 x 57.15	OR 0161	OR 0161	1186198	1786292			
3.53 x 58.74	OR 0162	OR 0162	1186199	1786287			
3.53 x 59.92	OR 04237		3316110				
3.53 x 60.33	OR 0164	OR 0164	1186230	1786011			
3.53 x 63.09	OR 04250		1186022				
3.53 x 63.50	OR 0167	OR 0167	3186454		1786298		
3.53 x 65.09	OR 0168	OR 0168	1186645				
3.53 x 68.26	OR 0171	OR 0171	1186763				
3.53 x 69.44	OR 04275		5022973		1786209		
3.53 x 71.44	OR 0174	OR 0174	3243160				
3.53 x 73.03	OR 0176	OR 0176	1186641		1186858	1786254	
3.53 x 75.80	OR 04300		1186748		1786110		
3.53 x 78.97	OR 04312		3186271	1186698	1786268		
3.53 x 82.14	OR 04325		1186693				
3.53 x 85.32	OR 04337		1186519				
3.53 x 88.50	OR 04350		1186873				1786261
3.53 x 91.67	OR 04362		3061007				
3.53 x 94.84	OR 04375		3061011				
3.53 x 98.02	OR 04387		3186137				
3.53 x 101.20	OR 04400		3160607	5501389	1786129		
3.53 x 107.50	OR 04425		3186235			1786214	
3.53 x 110.70	OR 04437		3061016				
3.53 x 113.90	OR 04450		3186456				
3.53 x 120.20	OR 04475		3186466		1186806		
3.53 x 132.90	OR 04525		1186941				
3.53 x 136.10	OR 04537		1186708				
3.53 x 148.80	OR 04587		3122552				
3.53 x 158.30	OR 04625		3122255				
3.53 x 164.70	OR 04650		3122344				
3.53 x 183.70	OR 04725		3061037				

## O-RING GASKETS THICKNESS 5.34 mm

5.34 mm



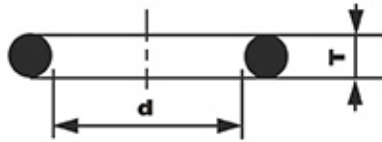
Dimensions (mm) T x d	Model (new cross-references)	Model (old cross-references)	LF Code	LF Code	LF Code	LF Code	LF Code
			(EPDM)	(VITON) STANDARD	(SILICONE) RED	(VITON) MIX COLOR	(SILICONE) MIX COLOR
5.34 x 34.29	OR 06135		1186220				
5.34 x 37.47	OR 06150	OR 0143	3186001			5018795	
5.34 x 40.65	OR 06162	OR 0145	5026454	1786272			
5.34 x 43.82	OR 06175	OR 0148	3186339		5039034		
5.34 x 47.00	OR 06187	OR 0151	3186013	5060790	3186313		
5.34 x 50.16	OR 06200	OR 0154	3186333		1786275		
5.34 x 53.34	OR 06212	OR 0157	1186673	3186241	1786273		5023642



Dimensions (mm) T x d	Model (new cross-references)	Model (old cross-references)	LF Code (EPDM)	LF Code (VITON) STANDARD	LF Code (SILICONE) RED	LF Code (VITON) MIX COLOR	LF Code (SILICONE) MIX COLOR
5.34 x 56.52	OR 06225	OR 0160	3186014				3186314
5.34 x 59.69	OR 06237	OR 0163	1186932		5038239		
5.34 x 62.87	OR 06250	OR 0166	3186331				
5.34 x 66.04	OR 06262	OR 0169	1186505				
5.34 x 69.22	OR 06275	OR 0172	3160061				
5.34 x 72.39	OR 06287	OR 0175	3786685				
5.34 x 74.63	OR 0178	OR 0178	3186015		1786009		
5.34 x 75.57	OR 06300	OR 0179	5039882	1186456			
5.34 x 78.74	OR 06312	OR 0180	3010048				
5.34 x 79.77	OR 0181	OR 0181	5006335				
5.34 x 81.92	OR 06325	OR 0182	3243088				
5.34 x 85.09	OR 06337	OR 0183	3186335		1786246		
5.34 x 94.62	OR 06375	OR 0187	1786002				
5.34 x 100.00	OR 0189	OR 0189	1186749				
5.34 x 110.50	OR 06437	OR 0194	5010476				1186075
5.34 x 120.70	OR 0201	OR 0201	3160615				
5.34 x 139.70	OR 0215	OR 0215	5052966				

## O-RING GASKETS THICKNESS 7.00 mm

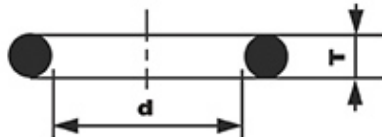
7.00 mm



Dimensions (mm) T x d	Model (new cross-references)	Model (old cross-references)	LF Code (EPDM)	LF Code (VITON) STANDARD	LF Code (SILICONE) RED	LF Code (VITON) MIX COLOR	LF Code (SILICONE) MIX COLOR
7.00 x 135.90	OR 08537	OR 0212	5050109				
7.00 x 142.20	OR 08562	OR 0216	2104555				
7.00 x 155.60	OR 0223	OR 0223	5006513				
7.00 x 183.52	OR 08725	OR 0234	5024838				
7.00 x 204.67	OR 08950	OR 0246	5026360		5029810		
7.00 x 266.07	OR 081050	OR 0250	5034088				
7.00 x 297.80	OR 081175	OR 0255	5032360				

## O-RING THICKNESS 1.78 mm

1.78 mm



Dimensions (mm) T x d	Model (new cross-references)	Model (old cross-references)	LF Code (EPDM)	LF Code (VITON) STANDARD	LF Code (SILICONE) RED	LF Code (VITON) MIX COLOR	LF Code (SILICONE) MIX COLOR
1.78 x 1.78	OR 02007		2111723				
1.78 x 2.57	OR 02010		1186163	1186746			
1.78 x 2.90	OR 02012	OR 0101	1186365		1186846	1186842	
1.78 x 3.69	OR 02015	OR 0102	1186014	1186900	1786278	1786095	1186514





Dimensions (mm) T x d	Model (new cross-references)	Model (old cross-references)	LF Code	LF Code	LF Code	LF Code	LF Code
			(EPDM)	(VITON) STANDARD	(SILICONE) RED	(VITON) MIX COLOR	(SILICONE) MIX COLOR
1.78 x 4.48	OR 02018	OR 0103	1186421	1186755	1186861		
1.78 x 5.28	OR 02021	OR 0104	1186362	1786088	1186903	1786144	5056235
1.78 x 6.07	OR 02025	OR 0105	3243139	1186612	1186611	1786143	1486013
1.78 x 6.75	OR 0106	OR 0106	3243009	1186435	1186864		
1.78 x 7.66	OR 02031	OR 0107	1186411	1186717	1186901	1786085	
1.78 x 8.73	OR 0108	OR 0108	1186422	1186707	1186902		
1.78 x 9.25	OR 02037	OR 0110	1186803	1186088	1786087	1786267	
1.78 x 10.82	OR 02043		1186346	1786303	5008673	1186950	
1.78 x 11.11	OR 0114	OR 0114	1186626	1186730	1186877		1786075
1.78 x 12.42	OR 02050		1186352		1186366		
1.78 x 14.00	OR 02056		1186223	1786154	1786061	5037375	
1.78 x 15.60	OR 02062		1186424	1786232	1786159	1786208	
1.78 x 17.17	OR 02068		3243069	1786271		1786165	
1.78 x 18.77	OR 02075		3186440			1186933	5008687
1.78 x 20.35	OR 02081		3243266				1186373
1.78 x 21.95	OR 02087		3243382	1786277			
1.78 x 23.52	OR 02093		1186401				
1.78 x 25.12	OR 02100		3186169				
1.78 x 26.70	OR 02106		3186343		1186863		
1.78 x 28.30	OR 02112		3186754	1186631			
1.78 x 29.87	OR 02118		5010533				
1.78 x 31.47	OR 02125		3243191	1186919	1786139		
1.78 x 33.05	OR 02131		1186003		3186317		
1.78 x 34.65	OR 02137		3243189		5060454	1186929	
1.78 x 47.35	OR 02187		7102065		3186657		
1.78 x 50.52	OR 02200		1186956				
1.78 x 60.05	OR 02237		6456037				
1.78 x 72.75	OR 02287		5059891				
1.78 x 75.92	OR 02300		1186397				
1.78 x 82.27	OR 02325		6456074				
1.78 x 88.62	OR 02350		3186232				
1.78 x 94.97	OR 02375		3122121				
1.78 x 120.37	OR 02475		3122365				
1.78 x 133.07	OR 02525		3186239				

## PINS ITALCREM



Photo	LF Code	Dimensions	Suitable for	Notes	For machine model
1	1324085	---	ITALCREM 08298900	FOR BREW GROUPS - PER GRUPPI EROGAZIONE	CAPRI
2	1324052	---	ITALCREM NT0030	FOR BREW GROUPS - PER GRUPPI EROGAZIONE	CAPRI
3	1349406	---	ITALCREM 07358609	FOR STEAM/WATER TAPS - PER RUBINETTI VAPORE/ACQUA	CAPRI
4	1324066	---	ITALCREM 11156530	FOR STEAM/WATER TAPS - PER RUBINETTI VAPORE/ACQUA	CAPRI
5	1324015	---	ITALCREM 07665508	FOR INLET TAPS - PER RUBINETTI CARICO	CAPRI



## PRESSURE GAUGES ITALCREM



1

2

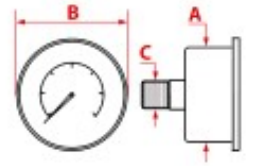


Photo	LF Code	Scale (bar)	Dimensions A - B - C (mm)	Suitable for	For machine model
1	1245024	0÷3	51 - 57 - 1/4	ITALCREM	101
2	1245562	0÷2.5/0÷16	60 - 65 - 1/8	ITALCREM 08130600	CAPRI

## PRESSURE SWITCHES PARKER



1

Photo	LF Code	Model	Scale (bar)
1	1320541	PS325-1C - 3 POLES - 20A - 1/4"	0.5÷1.4

## PRESSURE SWITCHES SIRAI



1

2

3

Photo	LF Code	Model	Scale (bar)
1	1320531	P302/6 - 3 POLES - 30A - 1/4"	0.5÷1.4
2	1320533	P302/6	---
3	1320800	P203T01 - 2 POLES - 20A - 1/4"	0.5÷1.4
3	1320801	P203T02 - 2 POLES - 20A - 1/4"	0.9÷1.7
3	1320802	P303T01 - 3 POLES - 20A - 1/4"	0.5÷1.4
3	1320803	P303T02 - 3 POLES - 20A - 1/4"	0.9÷1.7

## PROTECTIVE RUBBERPIECES



Photo	LF Code	For pipe $\varnothing$ (mm)	Suitable for
1	1186398	8	NUOVA SIMONELLI
1	5030025	10	NUOVA SIMONELLI - SANREMO
2	1187501	8	ALL BRANDS - TUTTE LE MARCHE
2	1186924	10	CASADIO - CIMBALI - FAEMA - FIAMMA
3	1186180	10	ALL BRANDS - TUTTE LE MARCHE
4	1549009	8	ASTORIA/CMA - MCE - WEGA
5	1549011	10	CIMBALI - FAEMA

## PROTECTIVE RUBBERPIECES



Photo	LF Code	For pipe $\varnothing$ (mm)	Suitable for
1	1186339	8	ALL BRANDS - TUTTE LE MARCHE
1	1186080	10	ALL BRANDS - TUTTE LE MARCHE
2	1549020	10	GAGGIA
3	1187001	10	SPAZIALE
4	1449172	8	ASTORIA/CMA - ELEKTRA - MARZOCCO - WEGA
5	1649001	10	FRACINO
6	1649002	8	CARIMALI

## PTFE FLAT GASKETS



LF Code	Dimensions	Suitable for	Notes
5500622	$\varnothing$ 6x1.8x2 mm	SAECO	FOR STEAM/WATER TAPS - PER RUBINETTI VAPORE/ACQUA
1186718	$\varnothing$ 7x5x1 mm	SPAZIALE	FOR HIDRAULIC SYSTEM - PER IMPIANTO IDRAULICO
1186974	$\varnothing$ 8.5x4.5x1.5 mm	CIMBALI - CASADIO	FOR MANOMETER - PER MANOMETRO
1786291	$\varnothing$ 9.5x6x2 mm	VIBIEMME	FOR BREW GROUPS - PER GRUPPI EROGAZIONE
1186099	$\varnothing$ 10x6x1 mm	BEZZERA - BIANCHI - BRASILIA	FOR BREW GROUPS - PER GRUPPI EROGAZIONE
1186099	$\varnothing$ 10x6x1 mm	PAVONI - RENEKA	FOR BREW GROUPS - PER GRUPPI EROGAZIONE
1186434	$\varnothing$ 10x7x0.5 mm	FAEMA	FOR BREW GROUPS - PER GRUPPI EROGAZIONE



# ITALCREM



LF Code	Dimensions	Suitable for	Notes
1186359	∅ 11.4x8x3 mm	CIMBALI	FOR INLET TAPS - PER RUBINETTI CARICO
1186809	∅ 12x9x1 mm	FIAMMA - RANCILIO	FOR BREW GROUPS - PER GRUPPI EROGAZIONE
1186121	∅ 12x10x0.5 mm	FAEMA	FOR STEAM/WATER TAPS - PER RUBINETTI VAPORE/ACQUA
1186065	∅ 12x10x1 mm	BRASILIA - FIORENZATO - VIBIEMME	FOR STEAM/WATER TAPS - PER RUBINETTI VAPORE/ACQUA
1186908	∅ 12x10x2 mm	SAECO	---
1186581	∅ 13x3x4 mm	AZKOYEN	---
1186661	∅ 13x15.5x1 mm	BRASILIA	FOR STEAM/WATER TAPS - PER RUBINETTI VAPORE/ACQUA
1186945	∅ 14x10x1.5 mm	CIMBALI	FOR BOOSTER PUMPS - PER POMPE VOLUMETRICHE
1186794	∅ 14.6x12x3 mm	PROMAC	FOR STEAM/WATER TAPS - PER RUBINETTI VAPORE/ACQUA
1186189	∅ 15x11x2 mm	ASTORIA/CMA	FOR BREW GROUPS - PER GRUPPI EROGAZIONE
3186273	∅ 16.5x12.5x1.5 mm	---	---
1186240	∅ 17x12x0.5 mm	FAEMA	FOR BREW GROUPS - PER GRUPPI EROGAZIONE
1186468	∅ 17x12x1.5 mm	PAVONI - GAGGIA	---
1186982	∅ 17x13x2 mm	GRIMAC	FOR BOILER SAFETY VALVES - PER VALVOLA BOILER
1186982	∅ 17x13x2 mm	PAVONI	FOR BREW GROUPS - PER GRUPPI EROGAZIONE
1186982	∅ 17x13x2 mm	VIBIEMME	FOR LEVEL CAPS - PER TAPPO LIVELLO
1186079	∅ 17x13x3 mm	BRASILIA	FOR BREW GROUPS - PER GRUPPI EROGAZIONE
1186119	∅ 17.3x12x2 mm	CONTI	FOR BREW GROUPS - PER GRUPPI EROGAZIONE
1186030	∅ 18x3.5x1 mm	EXPOBAR	FOR BREW GROUPS - PER GRUPPI EROGAZIONE
1186443	∅ 18x9x0.5 mm	RANCILIO - PROMAC	FOR STEAM/WATER TAPS - PER RUBINETTI VAPORE/ACQUA
1186404	∅ 18x13x2 mm	MANY BRANDS - MOLTI MARCHI	SEVERAL APPLICATIONS - MOLTE APPLICAZIONI
1786301	∅ 18x13.5x2 mm	FIAMMA	---
1786166	∅ 18x14x1.5 mm	CIMBALI - CASADIO	FOR BOILER SAFETY VALVES - PER VALVOLA BOILER
1786040	∅ 18.2x13x2.5 mm	EXPOBAR	---
1786251	∅ 19x14.5x2 mm	CARIMALI	FOR BREW GROUPS - PER GRUPPI EROGAZIONE
1786001	∅ 20x13x3 mm	---	---
1186959	∅ 20x15x1 mm	CIMBALI - FAEMA	---
1186594	∅ 20x17x2 mm	BRASILIA	FOR INLET TAPS - PER RUBINETTI CARICO
1186594	∅ 20x17x2 mm	ORCHESTRALE	FOR STEAM/WATER TAPS - PER RUBINETTI VAPORE/ACQUA
1186594	∅ 20x17x2 mm	SANREMO	FOR BREW GROUPS - PER GRUPPI EROGAZIONE
1186201	∅ 21x16.8x2 mm	MANY BRANDS - MOLTI MARCHI	SEVERAL APPLICATIONS - MOLTE APPLICAZIONI
3786036	∅ 22x9x1 mm	---	---
1186326	∅ 22x16x2 mm	MANY BRANDS - MOLTI MARCHI	SEVERAL APPLICATIONS - MOLTE APPLICAZIONI
1186957	∅ 22x17x1.5 mm	CIMBALI - CASADIO	FOR STEAM/WATER TAPS - PER RUBINETTI VAPORE/ACQUA
1186314	∅ 22x17x2 mm	MANY BRANDS - MOLTI MARCHI	SEVERAL APPLICATIONS - MOLTE APPLICAZIONI
3186609	∅ 24x13x1.5 mm	---	---
1186323	∅ 24x18x2 mm	MANY BRANDS - MOLTI MARCHI	SEVERAL APPLICATIONS - MOLTE APPLICAZIONI
1186731	∅ 24x19x2 mm	FIORENZATO - MARZOCCO - VIBIEMME	FOR STEAM/WATER TAPS - PER RUBINETTI VAPORE/ACQUA
1786250	∅ 24x20x1.5 mm	CARIMALI	FOR BREW GROUPS - PER GRUPPI EROGAZIONE
3186278	∅ 25x16.5x0.5 mm	---	---
1186969	∅ 25x21x1.5 mm	CIMBALI - CASADIO	FOR FILTER - PER FILTRO
1786283	∅ 25.5x21x5 mm	VIBIEMME	FOR BREW GROUPS - PER GRUPPI EROGAZIONE
3786502	∅ 25.7x21.2x5 mm	EXPOBAR	---
1186516	∅ 26x17x2 mm	SPAZIALE	FOR HEATING ELEMENTS - PER RESISTENZE
1186118	∅ 26x19x2 mm	FIORENZATO	FOR STEAM/WATER TAPS - PER RUBINETTI VAPORE/ACQUA
1186117	∅ 26x21x2 mm	MANY BRANDS - MOLTI MARCHI	SEVERAL APPLICATIONS - MOLTE APPLICAZIONI
1186537	∅ 26x22x2 mm	EXPOBAR	FOR BREW GROUPS - PER GRUPPI EROGAZIONE
1186537	∅ 26x22x2 mm	PAVONI	FOR BREW GROUPS - PER GRUPPI EROGAZIONE
1186127	∅ 27x20x0.5 mm	FAEMA	FOR INLET TAPS - PER RUBINETTI CARICO
1186248	∅ 27x20x1 mm	CASADIO	FOR BREW GROUPS - PER GRUPPI EROGAZIONE
1186248	∅ 27x20x1 mm	FAEMA	FOR STEAM/WATER TAPS - PER RUBINETTI VAPORE/ACQUA
1186290	∅ 27x21x2 mm	SAN MARCO	FOR BREW GROUPS - PER GRUPPI EROGAZIONE
1186281	∅ 28x23x2 mm	PAVONI	FOR STEAM/WATER TAPS - PER RUBINETTI VAPORE/ACQUA
1186281	∅ 28x23x2 mm	SAN MARCO	FOR BREW GROUPS - PER GRUPPI EROGAZIONE
1186770	∅ 33x28x4 mm	ASTORIA/CMA	FOR BREW GROUPS - PER GRUPPI EROGAZIONE
1186361	∅ 34x27x2 mm	SAN MARCO	FOR BREW GROUPS - PER GRUPPI EROGAZIONE
3186665	∅ 35x21x2 mm	---	---
1186328	∅ 35x30x2 mm	MANY BRANDS - MOLTI MARCHI	SEVERAL APPLICATIONS - MOLTE APPLICAZIONI
1186307	∅ 36x30x2 mm	MANY BRANDS - MOLTI MARCHI	SEVERAL APPLICATIONS - MOLTE APPLICAZIONI
3786512	∅ 40x34x3 mm	CONTI	---



LF Code	Dimensions	Suitable for	Notes
1186993	∅ 42x33x3 mm	BEZZERA	FOR HEATING ELEMENTS - PER RESISTENZE
1186243	∅ 42x34x0.5 mm	FAEMA	FOR BREW GROUPS - PER GRUPPI EROGAZIONE
1186608	∅ 50x40x2 mm	ASTORIA/CMA - SAN MARCO - SPAZIALE	FOR HEATING ELEMENTS - PER RESISTENZE
1186994	∅ 50x40x5.5 mm	SAN MARCO	FOR BREW GROUPS - PER GRUPPI EROGAZIONE
1186800	∅ 50x44x4 mm	FIorenzato - VIBIEMME	FOR BREW GROUPS - PER GRUPPI EROGAZIONE
1186979	∅ 52x40x2 mm	EXPOBAR	FOR HEATING ELEMENTS - PER RESISTENZE
1186979	∅ 52x40x2 mm	QUICK MILL	FOR HEATING ELEMENTS - PER RESISTENZE
1186623	∅ 53x43x3 mm	MANY BRANDS - MOLTI MARCHI	FOR HEATING ELEMENTS - PER RESISTENZE
3743110	∅ 57x41x2 mm	---	---
1186179	∅ 57x43x3 mm	MANY BRANDS - MOLTI MARCHI	FOR HEATING ELEMENTS - PER RESISTENZE
1186194	∅ 58x43x2 mm	ASTORIA/CMA - ORCHESTRALE	FOR HEATING ELEMENTS - PER RESISTENZE
1186609	∅ 58x51x2 mm	CIMBALI	FOR HEATING ELEMENTS - PER RESISTENZE
1186639	∅ 62x51x2 mm	SPAZIALE	FOR HEATING ELEMENTS - PER RESISTENZE
1186455	∅ 65x47x1.5 mm	RANCILIO - PROMAC	FOR HEATING ELEMENTS - PER RESISTENZE
1186409	∅ 68x55x3 mm	NUOVA SIMONELLI	FOR HEATING ELEMENTS - PER RESISTENZE
1186188	∅ 72x61x2 mm	ASTORIA/CMA	FOR HEAT EXCHANGES - PER SCAMBIATORE
1186297	∅ 73x61x3 mm	---	---
1186155	∅ 76x68.4x3 mm	CONTI	FOR HEATING ELEMENTS - PER RESISTENZE
1786213	∅ 85x70x2 mm	---	---

## ROTARY VANE PUMPS PROCON



1

2

3

4

5

Photo	LF Code	Flow rate (l/h)	Connections (∅)	Suitable for
1	1330012	200	3/8" NPT	ALL BRANDS - TUTTE LE MARCHE
1	1330024	100	3/8" NPT	PAVONI
1	1330019	100	3/8" NPT	CIMBALI - FAEMA - SPAZIALE
2	1330016	200	3/8" NPT	ALL BRANDS - TUTTE LE MARCHE
3	1330033	180	3/8"	CASADIO - CIMBALI - FAEMA
4	1330011	200	3/8" NPT	FAEMA
5	1330017	150	3/8"	CASADIO - CIMBALI - FAEMA

## ROTARY VANE PUMPS ROTOFLOW



1

2

3

4

5

6

Photo	LF Code	Flow rate (l/h)	Connections (∅)	Suitable for
1	1330021	50	3/8"	ALL BRANDS - TUTTE LE MARCHE
1	1330034	70	3/8"	ALL BRANDS - TUTTE LE MARCHE
1	1330008	150	3/8"	ALL BRANDS - TUTTE LE MARCHE
1	1330026	200	3/8"	ALL BRANDS - TUTTE LE MARCHE
1	1330001	100	3/8" NPT	ALL BRANDS - TUTTE LE MARCHE
1	1330029	150	3/8" NPT	ALL BRANDS - TUTTE LE MARCHE
1	1330002	200	3/8" NPT	ALL BRANDS - TUTTE LE MARCHE
1	1330101	100	3/8" NPT ECO BRASS	ALL BRANDS - TUTTE LE MARCHE



# ITALCREM



Photo	LF Code	Flow rate (l/h)	Connections (ø)	Suitable for
1	1330102	200	3/8" NPT ECO BRASS	ALL BRANDS - TUTTE LE MARCHE
1	1330030	200	3/8"	RANCILIO 10705960
2	1330025	70	3/8"	ALL BRANDS - TUTTE LE MARCHE
2	1330004	100	3/8" NPT	ALL BRANDS - TUTTE LE MARCHE
3	1330022	50	3/8"	ALL BRANDS - TUTTE LE MARCHE
3	1330005	100	3/8"	ALL BRANDS - TUTTE LE MARCHE
3	1330122	50	3/8" ECO BRASS	ALL BRANDS - TUTTE LE MARCHE
4	1330031	150	3/8"	CASADIO - CIMBALI - FAEMA
5	1330003	200	3/8" NPT	FAEMA - GRIMAC
6	1330006	200	3/8"	UNIC

## SELECTOR SWITCHES ITALCREM



1

Photo	LF Code	Positions number	Contact capacity	Suitable for	For machine model
1	1319031	0-2	16A 250V	ITALCREM 07847908	CAPRI - IT4

## SHOWER SCREENS ITALCREM



1



2



3



4



5

Photo	LF Code	Dimensions	Suitable for	For machine model
1	1081250	ø 57.0 mm	ITALCREM 01602002	PALANCA
2	1081016	ø 60.0 mm	ITALCREM 02610004	CAPRI - IT4
3	1081116	ø 60.0 mm	ITALCREM 02610004	CAPRI - IT4
4	1081216	ø 60.0 mm	ITALCREM 02610004	CAPRI - IT4
5	1081516	ø 60.0 mm	ITALCREM 02610004	CAPRI - IT4

## SPACERS



1



2



3

Photo	LF Code	Dimensions (mm)	Material
1	1190101	ø 64x53x0.7	PAPER/CARTA
1	1190021	ø 66x58x0.8	PAPER/CARTA
1	1190006	ø 69x57x0.8	PAPER/CARTA
1	1190005	ø 70x57x0.5	PAPER/CARTA
1	1190051	ø 70x57x0.8	PAPER/CARTA



Photo	LF Code	Dimensions (mm)	Material
1	1190011	∅ 72x58x0.8	PAPER/CARTA
1	1190001	∅ 73x59x0.8	PAPER/CARTA
2	1190007	∅ 64x53x1.0	EPDM
2	1190003	∅ 70x57x1.0	EPDM
2	1190002	∅ 73x59x1.0	EPDM
3	1190004	∅ 71x58x0.6	VITON

## SPECIFIC SPOUTS - VARIOUS BRANDS



Photo	LF Code	Connection (∅)
1	1022032	3/8
2	1022059	3/8
3	1022505	3/8
4	1022550	3/8
5	1022099	3/8

## SPRINGS ITALCREM



Photo	LF Code	Dimensions	Notes	Suitable for	For machine model
1	1250402	∅ 7x28 mm	FOR BREW GROUPS - PER GRUPPI EROGAZIONE	ITALCREM 07507304	CAPRI
2	1250112	∅ 8x20 mm	FOR BREW GROUPS - PER GRUPPI EROGAZIONE	ITALCREM 02122703	PALANCA
3	1250202	∅ 8x30 mm	FOR INLET TAPS - PER RUBINETTI CARICO	ITALCREM 01720606	IT4 - PALANCA
4	1250415	∅ 10x32 mm	FOR STEAM/WATER TAPS - PER RUBINETTI VAPORE/ACQUA	ITALCREM 10391803	PALANCA
5	1250549	∅ 11x25 mm	FOR STEAM/WATER TAPS - PER RUBINETTI VAPORE/ACQUA	ITALCREM 08165300	IT4 - PALANCA
6	1250536	∅ 13x42 mm	FOR BREW GROUPS - PER GRUPPI EROGAZIONE	ITALCREM 02318400	CAPRI



# ITALCREM



## STEAM-WATER PIPES ITALCREM



Photo	LF Code	Notes	Suitable for	For machine model
1	1449853	---	ITALCREM 08165722	CAPRI
2	1449336	---	ITALCREM 08207400	CAPRI
3	1449854	---	ITALCREM 08206013	CAPRI
4	1449855	∅ 18 mm - 47 mm	ITALCREM 08207506	CAPRI

## STEAM-WATER TAPS ITALCREM



Photo	LF Code	Suitable for	For machine model
1	1348472	ITALCREM 08165904	CAPRI
2	1348473	ITALCREM 08205908	CAPRI
3	1348477	ITALCREM 08204802	CAPRI - IT4 - PALANCA
4	1348476	ITALCREM 08165125	CAPRI - IT4
5	1349409	ITALCREM 08216102	PALANCA
6	1186244	ITALCREM 03001500	CAPRI - IT4

## SWITCHES ITALCREM

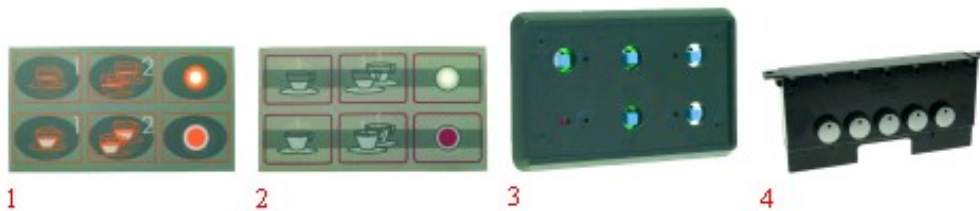


Photo	LF Code	Notes	Suitable for	For machine model
1	1319064	---	ITALCREM 08274201	CAPRI
2	1319069	---	ITALCREM 08274409	CAPRI
3	1319065	---	ITALCREM 08272205	CAPRI
4	1319638	---	ITALCREM 08427600	CAPRI





## THERMOSTATS



Photo	LF Code	Features	Suitable for	For machine model
1	5024998	147°C	PAVONI 436042	BAR
2	3444142	150°C	BEZZERA 7434001	B2000 - ELLISSE
2	3444142	150°C	FAEMA 3231133006	E91 - E92 - E97 - E98 - DUE - SMART
1	1444509	169°C	ASTORIA/CMA 20300015	PLUS4YOU
1	1444509	169°C	CARIMALI 95.01594	ETABETAV2 - E9 ESPRESSO - KIKKO - KIKKO2 - TEMA STYLE
1	1444509	169°C	CASADIO 531193100	DODICI
1	1444509	169°C	CIMBALI 531-193-100	M20 - M21 - M27 - M28 - M29 - M30 - M31 - M32 - M39
1	1444509	169°C	ELEKTRA 02790035	CLASSIC - MODERN - SIXTIES
1	1444509	169°C	FAEMA 531193100	DUE SMART - ELITE - EMBLEMA - ENOVA - E61 - E98 COMPACT
1	1444509	169°C	FIorenzato CS A1400032	PIAZZASANMARCO
1	1444509	169°C	FUTURMAT 07476906	CUSTOM - E61 - F3 - PALANCA - RIMINI
1	1444509	169°C	GAGGIA SPAGNA 07476906	BELLA - G6 - KB - NERA - PALANCA
1	1444509	169°C	ITALCREM 07476906	CAPRI - IT4 - PALANCA
1	1444509	169°C	MAIRALI 07476906	ARIANNE - GIULIETTA - PALANCA
1	1444509	169°C	MCE 20300015	START
1	1444509	169°C	ORCHESTRALE D20300015	ETNICA - PHONICA
1	1444509	169°C	PROMAC 34200095	GREEN - COMPACT - CLUB
1	1444509	169°C	SAN MARCO 108463	105 - 100 - 85 - 95 - LEVA - 105 NEW
1	1444509	169°C	SANREMO 10111015	AMALFI - CAPRI - MILANO LX - PISA - TORINO - VENEZIA
1	1444509	169°C	SPAZIALE 01477	NEW - RAPID - SELETRON - SPAZIO - SUPER 3000 - S1 VIVALDI
1	1444509	169°C	VISACREM 07476906	BRAVA - NERA - PALANCA - V6
1	1444509	169°C	WEGA WY20300015	CONCEPT
1	3444442	170°C	GAGGIA 5024007000	GD - GE - LCD - XD - XE
1	3444442	170°C	SAECO WGA5001013000	AROMA
3	1444004	187°C	CIMBALI 531-191-800	JUNIOR - M29 - M30 - M32 - M39 - M39GT
3	1444004	187°C	FAEMA 531191800	ELITE - EMBLEMA - ENOVA - E61 - E98 COMPACT - SMART
3	1444004	187°C	PROMAC 34200096	CLUB - COMPACT - GREEN
3	1444004	187°C	RANCILIO 34200096	CLASSE10 - S20
3	1444004	187°C	SANREMO 10111012	AMALFI - CAPRI - MILANO LX - PISA - TORINO - VENEZIA
3	1444004	187°C	SPAZIALE 08019	S5 COMPACT



## UNIVERSAL CONTACT THERMOSTATS



Photo	LF Code	Temperature °C
1	1443017	85
1	1444506	90
1	1443010	93
1	1444003	95
1	1443005	98
1	1443011	100
1	1443072	104
1	1443400	107
1	1443071	110
1	3443081	125
1	1443401	135
1	1443004	145
2	1443070	135
2	1444206	145
2	1443002	165
3	1443079	95
3	3443026	110
3	5027936	125
3	1443066	130
3	1444521	155
3	1443034	200
4	5027937	170
4	1443012	180
5	1443055	125
5	5035435	140
5	1443063	143
6	1443030	---

## UNIVERSAL FILTER HOLDER KNOBS



Photo	LF Code	Connection	Suitable for
1	1241505	M10	ALL BRANDS - TUTTE LE MARCHE
1	1241504	M12	ALL BRANDS - TUTTE LE MARCHE
2	1241269	M10	ALL BRANDS - TUTTE LE MARCHE
2	1241169	M12	ALL BRANDS - TUTTE LE MARCHE
3	1241502	M10	ALL BRANDS - TUTTE LE MARCHE
3	1241501	M12	ALL BRANDS - TUTTE LE MARCHE

## UNIVERSAL FILTER HOLDER KNOBS



Photo	LF Code	Connection	Suitable for
1	5051751	M10	ALL BRANDS - TUTTE LE MARCHE
1	5051102	M12	ALL BRANDS - TUTTE LE MARCHE
2	5054506	M10	ALL BRANDS - TUTTE LE MARCHE
2	5054505	M12	ALL BRANDS - TUTTE LE MARCHE

## UNIVERSAL FILTER HOLDER KNOBS



Photo	LF Code	Connection	Suitable for
1	1141006	M10	ALL BRANDS - TUTTE LE MARCHE
1	1141007	M12	ALL BRANDS - TUTTE LE MARCHE
2	1141004	M10	ALL BRANDS - TUTTE LE MARCHE
2	1141003	M12	ALL BRANDS - TUTTE LE MARCHE

## VARIOUS CAPPUCCINATORE



Photo	LF Code	Suitable for
1	1079016	BIANCHI - SAN MARCO
2	1079030	ASTORIA/CMA - MCE - ORCHESTRALE
3	1079023	ASTORIA/CMA - CARIMALI - NUOVA SIMONELLI - WEGA
4	1079009	SAECO
5	1079010	SAECO
6	5501292	PAVONI



## VENT VALVES



Photo	LF Code	Technical notes	Suitable for
1	1523537	ø 1/4" M VITON	ALL BRANDS - TUTTE LE MARCHE
2	1523534	ø 1/4" M PTFE AND VITON	ALL BRANDS - TUTTE LE MARCHE
3	1523538	ø 1/4" M	ALL BRANDS - TUTTE LE MARCHE

## VOLUMETRIC FLOWMETERS GICAR



Photo	LF Code	Model	Suitable for	For machine model
1	1455067	9.0.55.02G / ø 1/4" FF / ø 1.15 mm	ASTORIA/CMA 18126	ARGENTA - BRAVA - DIVINA - DORA - GLORIA - GLORIA R12
1	1455067	9.0.55.02G / ø 1/4" FF / ø 1.15 mm	BEZZERA 7431001	B2000 - B2006 - B2009 COMPACT - B2013 - B3000 - B4000
1	1455067	9.0.55.02G / ø 1/4" FF / ø 1.15 mm	BFC 5032012	CLASSICA - DELUX - GALILEO - GRANDOGE - IMOLA - JUNIOR
1	1455067	9.0.55.02G / ø 1/4" FF / ø 1.15 mm	BRUGNETTI-AURORA 95.01205	---
1	1455005	9.0.78.02G / ø 1/4" FF / ø 1.15 mm	CONTI 403466V	SK2
1	1455067	9.0.55.02G / ø 1/4" FF / ø 1.15 mm	EXPOBAR 60100045	ELEN - EXPRESSO - G10 - MARKUS - MARKUS SILVER
1	1455067	9.0.55.02G / ø 1/4" FF / ø 1.15 mm	FIorenzato CS A1500026	BRICOLETTA - DUCALE - FENICE - LIDO - VENEZIA
1	1455067	9.0.55.02G / ø 1/4" FF / ø 1.15 mm	FUTURMAT 08307500	ARIETE - F3 - RIMINI
1	1455060	9.0.93.02G / ø 1/4" FF / ø 1.15 mm	GAGGIA 11013052	DECO - GD - GE - XD - XE
1	1455067	9.0.55.02G / ø 1/4" FF / ø 1.15 mm	GRIMAC 1160900001-GR102	MIA - NEW CIALDA VAPOR - SELENITE DOUBLE - TWENTY
1	1455067	9.0.55.02G / ø 1/4" FF / ø 1.15 mm	MCE 18126	START
1	1455067	9.0.55.02G / ø 1/4" FF / ø 1.15 mm	NUOVA SIMONELLI 04900027	APPIA - APPIA COMPACT - AURELIA - AURELIAII - MACDIGIT
1	1455067	9.0.55.02G / ø 1/4" FF / ø 1.15 mm	ORCHESTRALE D18126	ETNICA - PHONICA
1	1455067	9.0.55.02G / ø 1/4" FF / ø 1.15 mm	RENEKA 9008954	LC - LIFE - PRESTIGE - VIVA
1	1455067	9.0.55.02G / ø 1/4" FF / ø 1.15 mm	ROYAL 5032012	DIADEMA - SYNCHRO
1	1455060	9.0.93.02G / ø 1/4" FF / ø 1.15 mm	SAECO 11013052	AROMA
1	1455067	9.0.55.02G / ø 1/4" FF / ø 1.15 mm	SAN MARCO 108192	NEW 105 - 100 - 105 - 85 - 95
1	1455067	9.0.55.02G / ø 1/4" FF / ø 1.15 mm	SANREMO 10112131A	MILANO LX
1	1455067	9.0.55.02G / ø 1/4" FF / ø 1.15 mm	SCALA C-0215	BUTTERFLY - CARMEN - EROICA
1	1455067	9.0.55.02G / ø 1/4" FF / ø 1.15 mm	VIBIEMME ELETCONTVOLOT	CHIMAERA - CUBO - DOMOBARSUPER - DOSAPLUS - EVOLUTION
1	1455067	9.0.55.02G / ø 1/4" FF / ø 1.15 mm	VICTORIA ARDUINO 04900027	ADONIS - VENUS CENTURY
1	1455067	9.0.55.02G / ø 1/4" FF / ø 1.15 mm	WEGA WY18126	ATLAS - ATLAS 10 - COLOSSEUM - COMBI NOVA - CONCEPT
2	1455068	9.0.55.50G / ø 1/8" FF / ø 1.15 mm	BRASILIA 16054.2.00.08	ROMA
2	1455068	9.0.55.50G / ø 1/8" FF / ø 1.15 mm	CIMBALI 534-391-020	M20 - M21 JUNIOR - M22 - M27 - M27 START - M28 - M29
2	1455068	9.0.55.50G / ø 1/8" FF / ø 1.15 mm	FAEMA 534391020	E98 COMPACT
2	1455068	9.0.55.50G / ø 1/8" FF / ø 1.15 mm	FIAMMA RST 5.0.000.1012	ATLANTIC - MARINA - PRESTIGE
2	1455068	9.0.55.50G / ø 1/8" FF / ø 1.15 mm	PAVONI 438020	---
2	1455068	9.0.55.50G / ø 1/8" FF / ø 1.15 mm	SANREMO 10112290	AMALFI - CAPRI - PISA - TORINO - VERONA - ZOE
3	1455026	9.0.54.05G / ø 1/4" FF / ø 1.15 mm	FRACINO FC92	BAMBINO
3	1455026	9.0.54.05G / ø 1/4" FF / ø 1.15 mm	MARZOCCO LAD070	FB70 - FB80 - GB5 - GS3 - LINEA - MISTRAL
3	1455352	9.0.78.00G / ø 1/4" FF / ø 1.15 mm	PROMAC 34070050	CLUB - COMPACT - GREEN

Photo	LF Code	Model	Suitable for	For machine model
3	1455352	9.0.78.00G / $\varnothing$ 1/4"FF / $\varnothing$ 1.15 mm	RANCILIO 34070050	CLASSE10 - CLASSE9 - EPOCA
4	1455001	9.0.69.03G / $\varnothing$ 1/4"FF / $\varnothing$ 1.15 mm	SPAZIALE 02498	NEW - RAPID - S1 - S2 - S3 - S40 - S5 - S8

## VOLUMETRIC FLOWMETERS GICAR ACCESSORIES



Photo	LF Code	Model	Notes
1	3455333	9.0.16.50G	LED
2	5052706	9.0.15.51G	NO LED
3	1455032	6.9.23.05G	---
4	1186631	---	---
5	1455033	8.6.17.14	---

## WASHERS UNI ISO



LF Code	Dimensions	Suitable for	Notes
3528238	$\varnothing$ 9x4x0.8 mm UNI 6592	GAGGIA S401004	FOR BREW GROUPS - PER GRUPPI EROGAZIONE
3528238	$\varnothing$ 9x4x0.8 mm UNI 6592	GRIMAC GR356	G105 - G106
3528238	$\varnothing$ 9x4x0.8 mm UNI 6592	PAVONI 401004	EUROPICCOLA - PROFESSIONAL - ROMANTICA - STRADIVARI
1528117	$\varnothing$ 12x4x1 mm UNI 6593	GRIMAC 1300900128	SEVERAL APPLICATIONS - MOLTE APPLICAZIONI
1186192	$\varnothing$ 10x5x1 mm UNI 6592	SPAZIALE 00246	FOR BREW GROUPS - PER GRUPPI EROGAZIONE
1186315	$\varnothing$ 15x5x1.2 mm UNI 6593	CIMBALI 590-733-000	FOR LEVEL - PER LIVELLO
3528010	$\varnothing$ 12x6x1.6 mm UNI 6592	FAEMA 4054043102	FOR BREW GROUPS - PER GRUPPI EROGAZIONE
3528010	$\varnothing$ 12x6x1.6 mm UNI 6592	GRIMAC 1110400003-GR723	FOR BREW GROUPS - PER GRUPPI EROGAZIONE
3528010	$\varnothing$ 12x6x1.6 mm UNI 6592	PAVONI 401061	FOR BREW GROUPS - PER GRUPPI EROGAZIONE
3528010	$\varnothing$ 12x6x1.6 mm UNI 6592	SPAZIALE 01746	FOR BREW GROUPS - PER GRUPPI EROGAZIONE
1528008	$\varnothing$ 16x8x1.6 mm UNI 6592	BRASILIA 01290.0.00.03	FOR BREW GROUPS - PER GRUPPI EROGAZIONE
1528008	$\varnothing$ 16x8x1.6 mm UNI 6592	ELEKTRA 01816035	FOR BREW GROUPS - PER GRUPPI EROGAZIONE
1528008	$\varnothing$ 16x8x1.6 mm UNI 6592	GAGGIA WGAUN6592-8Z	FOR BREW GROUPS - PER GRUPPI EROGAZIONE
1528008	$\varnothing$ 16x8x1.6 mm UNI 6592	PAVONI 401065	FOR BREW GROUPS - PER GRUPPI EROGAZIONE
1528008	$\varnothing$ 16x8x1.6 mm UNI 6592	SPAZIALE 00416	FOR BREW GROUPS - PER GRUPPI EROGAZIONE
1528008	$\varnothing$ 16x8x1.6 mm UNI 6592	VIBIEMME VITERONGR8MA	FOR BREW GROUPS - PER GRUPPI EROGAZIONE
1528008	$\varnothing$ 16x8x1.6 mm UNI 6592	RENEKA 9001335	FOR STEAM/WATER TAPS - PER RUBINETTI VAPORE/ACQUA
1528008	$\varnothing$ 16x8x1.6 mm UNI 6592	VIBIEMME RACCROPIRU	FOR STEAM/WATER TAPS - PER RUBINETTI VAPORE/ACQUA
1528020	$\varnothing$ 18x8x1.3 mm UNI 6593	PROMAC 32239044	FOR STEAM/WATER TAPS - PER RUBINETTI VAPORE/ACQUA
1528020	$\varnothing$ 18x8x1.3 mm UNI 6593	RANCILIO 32239044	FOR STEAM/WATER TAPS - PER RUBINETTI VAPORE/ACQUA
1186504	$\varnothing$ 20x10.6x2 mm UNI 6592	FAEMA 4041135933	FOR BREW GROUPS - PER GRUPPI EROGAZIONE
1186504	$\varnothing$ 20x10.6x2 mm UNI 6592	PROMAC 39520008	FOR BREW GROUPS - PER GRUPPI EROGAZIONE
1186504	$\varnothing$ 20x10.6x2 mm UNI 6592	RANCILIO 39520008	FOR BREW GROUPS - PER GRUPPI EROGAZIONE
3528211	$\varnothing$ 28x15x2.5 mm UNI 6592	PAVONI 401075	FOR STEAM/WATER TAPS - PER RUBINETTI VAPORE/ACQUA



## WASHERS VARIOUS



LF Code	Dimensions	Suitable for	Notes
1528054	∅ 12x5x1 mm	ASTORIA/CMA 23260014	FOR BREW GROUPS - PER GRUPPI EROGAZIONE
1528059	∅ 18x6.5x1.5 mm	BFC 0540030	FOR STEAM/WATER TAPS - PER RUBINETTI VAPORE/ACQUA
1186036	∅ 21.5x6.5x2 mm	BIANCHI 18004971	FOR STEAM/WATER TAPS - PER RUBINETTI VAPORE/ACQUA
1528059	∅ 18x6.5x1.5 mm	CARIMALI 93.00058	FOR STEAM/WATER TAPS - PER RUBINETTI VAPORE/ACQUA
1186299	∅ 22x16x1 mm	CASADIO 590715000	FOR STEAM/WATER TAPS - PER RUBINETTI VAPORE/ACQUA
1186299	∅ 22x16x1 mm	CIMBALI 590-715-000	FOR STEAM/WATER TAPS - PER RUBINETTI VAPORE/ACQUA
1186036	∅ 21.5x6.5x2 mm	EXPOBAR 25012521	FOR STEAM/WATER TAPS - PER RUBINETTI VAPORE/ACQUA
1186299	∅ 22x16x1 mm	FAEMA 590715000	FOR STEAM/WATER TAPS - PER RUBINETTI VAPORE/ACQUA
1186399	∅ 30x17x3 mm	GAGGIA WGAUN6592-17Z	FOR LEVEL - PER LIVELLO
1186299	∅ 22x16x1 mm	GRIMAC 1300900055-G207	FOR STEAM/WATER TAPS - PER RUBINETTI VAPORE/ACQUA
1528059	∅ 18x6.5x1.5 mm	MARZOCCO L165/9	FOR STEAM/WATER TAPS - PER RUBINETTI VAPORE/ACQUA
1186036	∅ 21.5x6.5x2 mm	MARZOCCO L165/9B	FOR STEAM/WATER TAPS - PER RUBINETTI VAPORE/ACQUA
1186399	∅ 30x17x3 mm	NUOVA SIMONELLI 00200011	FOR STEAM/WATER TAPS - PER RUBINETTI VAPORE/ACQUA
1186399	∅ 30x17x3 mm	SAECO WGAUN6592-17Z	FOR LEVEL - PER LIVELLO
1186142	∅ 23x15x0.5 mm	SAN MARCO 205584	FOR STEAM/WATER TAPS - PER RUBINETTI VAPORE/ACQUA
1528059	∅ 18x6.5x1.5 mm	SANREMO 10402040	FOR STEAM/WATER TAPS - PER RUBINETTI VAPORE/ACQUA
1186416	∅ 15x11x2 mm	SPAZIALE 00523	FOR STEAM/WATER TAPS - PER RUBINETTI VAPORE/ACQUA
1528141	∅ 22x6.5x5 mm	VIBIEMME RACCROBLMAEVO	FOR STEAM/WATER TAPS - PER RUBINETTI VAPORE/ACQUA
1528054	∅ 12x5x1 mm	WEGA WY23260014	FOR BREW GROUPS - PER GRUPPI EROGAZIONE

## WATER FILTERS



Photo	LF Code	Dimensions	Suitable for
1	1160017	∅ 8x1.5 mm	SPAZIALE 02284
1	1160511	∅ 9x1.5 mm	CIMBALI 481-361-000
1	1160023	∅ 11x2 mm	SAN MARCO 202232
1	1160068	∅ 18 mm	CASADIO 490055000 - CIMBALI 490-055-000
2	1160400	∅ 11 mm	ASTORIA/CMA 10254 - WEGA WY10254
3	1160501	∅ 14x10x12 mm	ASTORIA/CMA 10252 - BEZZERA 5471002
3	1160501	∅ 14x10x12 mm	BRASILIA 00086.0.00.04 - PAVONI 330051
4	1160021	∅ 18x20 mm	ELEKTRA 00111035
5	1160801	M8x1	RANCILIO 10705003
6	1160012	∅ 11 mm	RANCILIO 10706070

## WATER FILTERS



Photo	LF Code	Dimensions	Suitable for
1	1160523	∅ 5.9 mm	CARIMALI 14.00795
1	1160311	∅ 7 mm	BIANCHI 43144416 - FUTURMAT 07362205
2	1160536	∅ 7 mm	SPAZIALE 00275
1	1160566	∅ 8 mm	ASTORIA/CMA 10251001 - WEGA WY10251001
1	1160566	∅ 8 mm	NUOVA SIMONELLI 98004001
1	1160011	∅ 9 mm	BRASILIA 09756.0.00.04 - CIMBALI 4771-116-081
1	1160516	∅ 11 mm	ASTORIA/CMA 10251002 - FUTURMAT 02435808
3	1160519	∅ 14 mm	PAVONI 326202
4	1160346	∅ 14 mm	CONTI 327154
5	1160087	∅ 15 mm	SANREMO 10052139A

## WATER FILTERS



Photo	LF Code	Dimensions	Suitable for
1	1160507	∅ 8.5x15 mm	FUTURMAT 08298700
2	1160517	∅ 8.5x22 mm	GROUP E61
3	1160074	∅ 8.5x25 mm	CIMBALI 533-100-400
4	1160338	∅ 8x13 mm	CONTI 403458

## WATER INLET TAPS ITALCREM



















Photo	LF Code	Notes	Suitable for	For machine model
1	1348306	---	ITALCREM 07466006	CAPRI - PALANCA
2	1523503	---	ITALCREM 07665409	---

*The data herewith contained may change without notice and LF SpA cannot be held responsible for possible errors stated or resulting by the use of this document. All rights reserved. No part of this publication may be reproduced without written permission by LF SpA.*



## Distributing Components, Spare Parts & Accessories in original quality worldwide

- 
-  **LF SpA HEADQUARTERS**  
via Voltri, 80 - 47522 Cesena (FC) ITALY  
Tel. +39 0547 34 11 11 - Fax +39 0547 34 11 10  
[www.lfcomb724.it](http://www.lfcomb724.it) - [www.lfcomb724.mobi](http://www.lfcomb724.mobi) - [info@lfcomb.it](mailto:info@lfcomb.it)  
Export Dept.: Tel. +39 0547 34 11 50 - Fax: +39 0547 34 11 55  
[www.lfspareparts724.com](http://www.lfspareparts724.com) - [www.lfspareparts724.mobi](http://www.lfspareparts724.mobi)  
[export@lfspareparts.com](mailto:export@lfspareparts.com)
  -  **OOO LF RUSSIAN FEDERATION**  
Ul. Anatoliya Zhivova, 8 - office 1 - 123100 Moscow  
Tel. +7 499 259 85 75  
Fax +7 495 725 26 53  
[www.lfspareparts724.ru](http://www.lfspareparts724.ru)  
[www.lfspareparts724.mobi](http://www.lfspareparts724.mobi)  
[info@lfspareparts.ru](mailto:info@lfspareparts.ru)
  -  **EPGC Sas FRANCE**  
13, Rue des Forts - 59960 Neuville en Ferrain  
Tel. +33 (0)3 20 25 06 21  
Fax +33 (0)3 20 25 34 12  
[www.epgc.com](http://www.epgc.com)  
[www.epgc724.mobi](http://www.epgc724.mobi)  
[epgc@epgc.com](mailto:epgc@epgc.com)
  -  **LF Repuestos Horeca S.L.U. SPAIN**  
Calle Ciudad Real, 10 - 45517 Escalonilla - Toledo  
Tel. +34 91 477 91 00  
Fax +34 91 477 90 81  
[www.lfrepuestos-horeca724.es](http://www.lfrepuestos-horeca724.es)  
[www.lfrepuestos724.mobi](http://www.lfrepuestos724.mobi)  
[info@lfrepuestos.es](mailto:info@lfrepuestos.es)
  -  **LF GmbH GERMANY**  
Junkersstrasse, 1 - D-82178 Puchheim - München  
Tel. +49 89 89 45 78 66  
Fax +49 89 89 45 78 88  
[www.lfersatzteile724.de](http://www.lfersatzteile724.de)  
[www.lfersatzteile724.mobi](http://www.lfersatzteile724.mobi)  
[info@lfersatzteile.de](mailto:info@lfersatzteile.de)
  -  **LF SpA Cesena (IT) Swiss Branch Steinhausen SWITZERLAND**  
Sennweidstrasse, 45 - CH-6312 Steinhausen  
Tel. +41 (0)41 760 15 80-1  
Fax +41 (0)41 760 15 85  
[www.lfersatzteile724.ch](http://www.lfersatzteile724.ch)  
[www.lfersatzteile724.mobi](http://www.lfersatzteile724.mobi)  
[info@lfersatzteile.ch](mailto:info@lfersatzteile.ch)
  -  **LF China REPUBLIC OF CHINA**  
Room 403, No.2, Huadu Mansion, Lane 422, Huanghua Rd.  
Minhang Dist. - 201103 Shanghai  
Tel. +86 (0)21 33 53 66 31  
Fax +86 (0)21 33 53 66 32  
[www.lfspareparts724.com](http://www.lfspareparts724.com)  
[www.lfspareparts724.mobi](http://www.lfspareparts724.mobi)  
[china@lfspareparts.com](mailto:china@lfspareparts.com)
  -  **LF Spare Parts Ltd. UNITED KINGDOM**  
A10a Lakeside Business Park, Broadway Lane  
South Cerney, Gloucestershire GL7 5XL  
Tel. +44 (0)1285 86 16 25  
Fax +44 (0)1285 86 39 49  
[www.lfspareparts724.co.uk](http://www.lfspareparts724.co.uk)  
[www.lfspareparts724.mobi](http://www.lfspareparts724.mobi)  
[info@lfspareparts.co.uk](mailto:info@lfspareparts.co.uk)
- 
-  **AUSTRALIA AND NEW ZEALAND**  
[www.lfspareparts724.com](http://www.lfspareparts724.com)  
[andrea.calvio@lfspareparts.com](mailto:andrea.calvio@lfspareparts.com)
  -  **DENMARK**  
[www.lfspareparts724.dk](http://www.lfspareparts724.dk)  
[michael.lenth@lfspareparts.com](mailto:michael.lenth@lfspareparts.com)
  -  **AUSTRIA**  
[www.lfspareparts724.at](http://www.lfspareparts724.at)  
[ludwig.neier@lfersatzteile.at](mailto:ludwig.neier@lfersatzteile.at)
  -  **SOUTH KOREA**  
[www.lfspareparts724.com](http://www.lfspareparts724.com)  
[fabio.doni@lfspareparts.com](mailto:fabio.doni@lfspareparts.com)
  -  **BALKAN COUNTRIES**  
[www.lfspareparts724.com](http://www.lfspareparts724.com)  
[matija.ramov@lfspareparts.com](mailto:matija.ramov@lfspareparts.com)
  -  **TURKEY**  
[www.lfyedekparca724.com](http://www.lfyedekparca724.com)  
[basar.ergun@lfyedekparca.com](mailto:basar.ergun@lfyedekparca.com)
  -  **BALTIC COUNTRIES**  
[www.lfspareparts724.com](http://www.lfspareparts724.com)  
[inara.silina@lfspareparts.com](mailto:inara.silina@lfspareparts.com)
  -  **USA AND CANADA**  
[www.lfspareparts724.us](http://www.lfspareparts724.us)  
[sauro.dallaglio@lfspareparts.us](mailto:sauro.dallaglio@lfspareparts.us)  
[howard.truitt@lfspareparts.us](mailto:howard.truitt@lfspareparts.us)
  -  **CENTRAL AND EASTERN EUROPE**  
[www.lfspareparts724.cz](http://www.lfspareparts724.cz)  
[jiri.kremla@lfspareparts.cz](mailto:jiri.kremla@lfspareparts.cz)