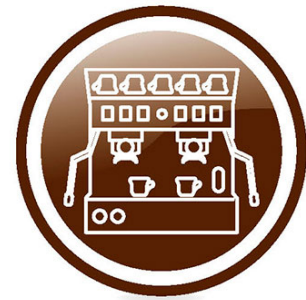




Spare parts for:

Espresso coffee machines



Suitable for:

RENEKA



This catalogue is automatically generated.
Therefore, the sequence of the items might
not be always shown at best.
Updates will be issued in case of additions
and/or amendments.

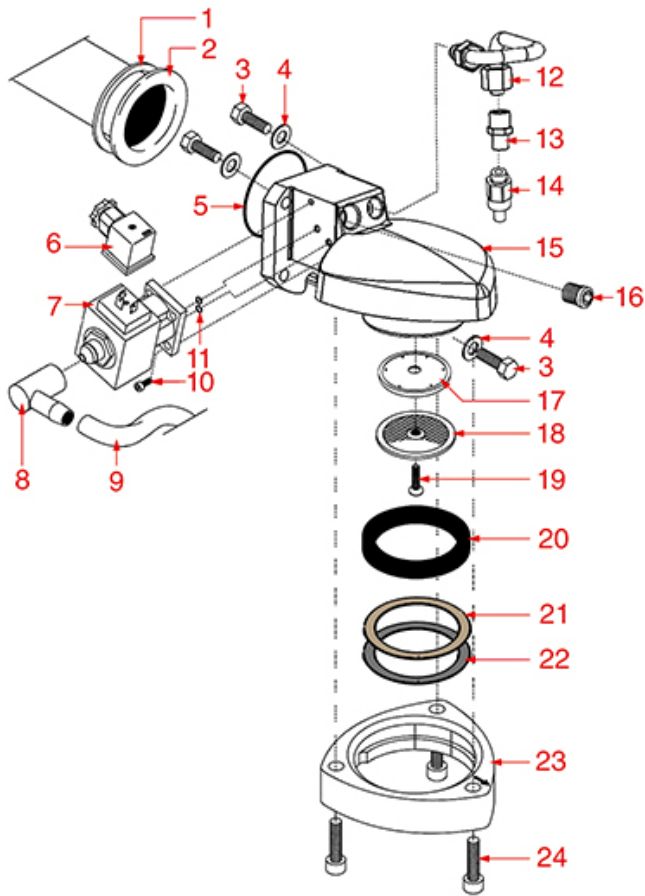
Suitable universal spare parts may not be included



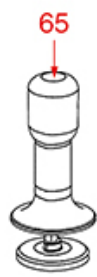
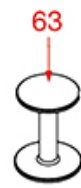
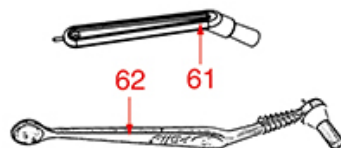
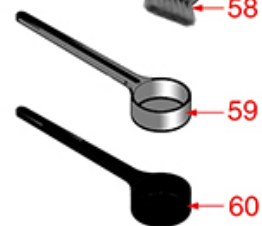
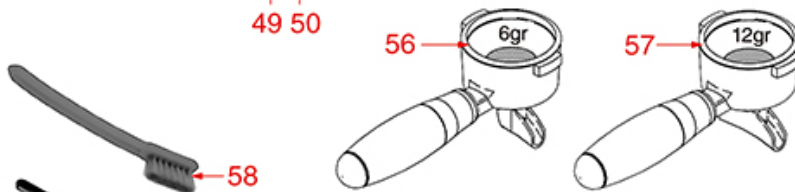
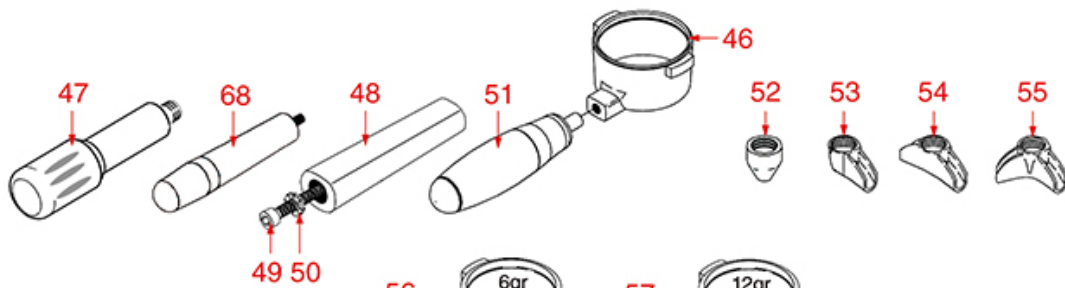
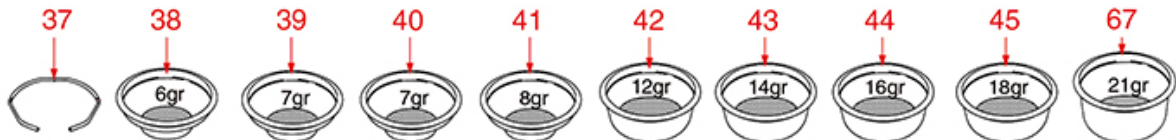
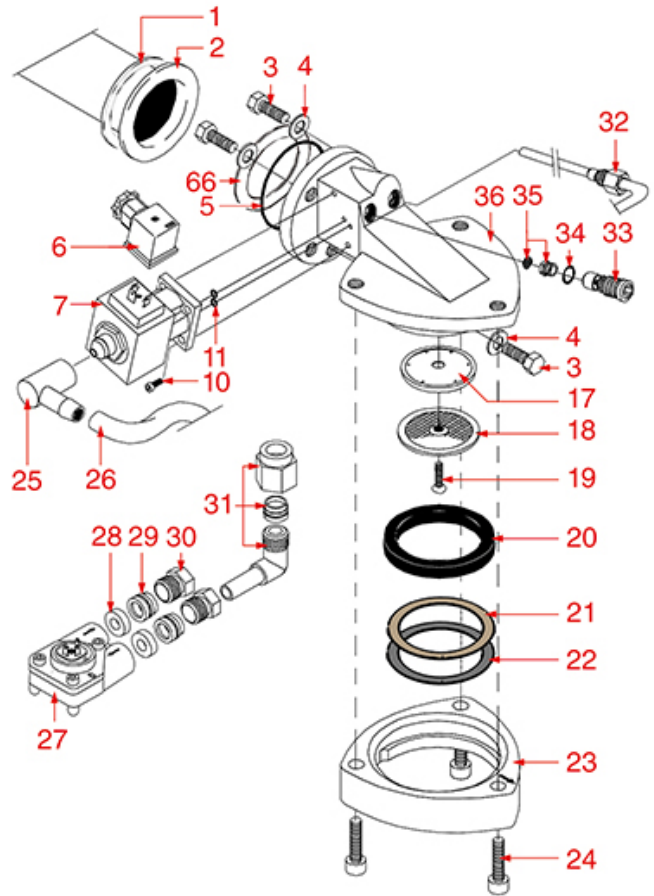


BREW GROUP VIVA-CONCEPT-LC-XL

VIVA E - VIVA S



VIVA - CONCEPT - LC - PLUS - PRESTIGE - XLBASIC





RENEKA

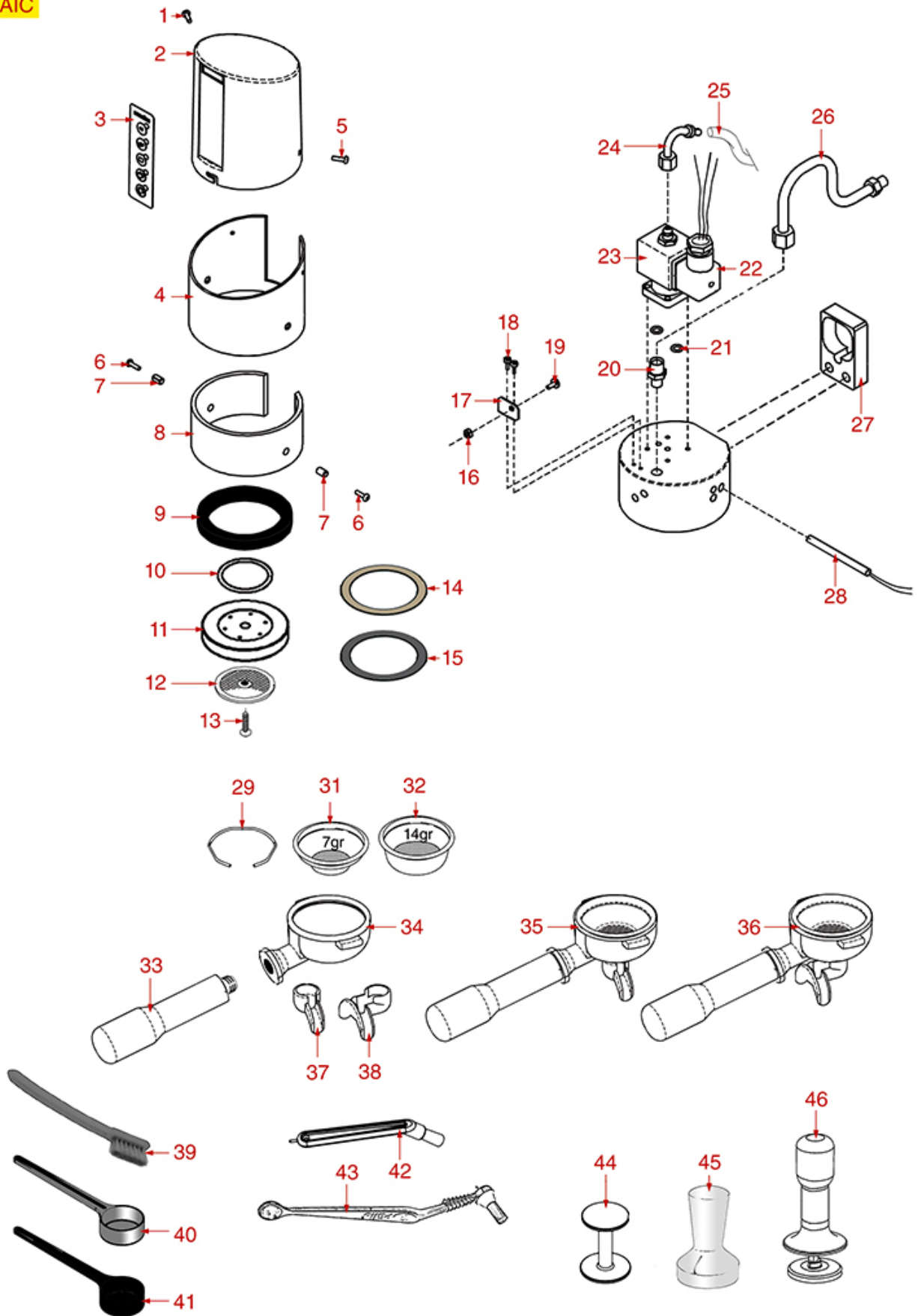


Position	LF code no.	Description
1	1186082	ROUND PTFE GASKET \varnothing 50x36x2 mm
3	3528088	HEXAGON HEAD SCREW M8x20
4	1528008	WASHER FLAT M8
5	1486025	GROUP GASKET \varnothing 45x39x3 mm EPDM
6	3120034	FEMALE LARGE CONNECTOR
7	1120330	3-WAY SOLENOID VALVE LUCIFER 240V 50Hz
7	1120332	COIL LUCIFER/PARKER 220/240V 9W 50Hz
7	1120334	3-WAY MECHANICAL COMPONENT LUCIFER
7	1120335	3-WAY SOLENOID VALVE PARKER 230V 50/60Hz
7	1120339	3-WAY MECHANICAL COMPONENT PARKER
7	3120032	COIL PARKER ZB09 9W 220/240V 50/60Hz
9	1449681	SILICONE HOSE \varnothing 4x7 SHORE 60 - 5 m
10	1455034	CYLINDER HEAD SCREW M4x10
11	1186611	O-RING 02025 RED SILICONE
11	1186612	O-RING 02025 VITON
13	1349111	FITTING \varnothing 1/8" M 1/4" M
17	1086506	SHOWER HOLDER DIFFUSER
18	1081006	SHOWER SCREEN \varnothing 51.5 mm
18	1081007	SHOWER \varnothing 51.5 mm
19	1528031	COUNTERSUNK FLAT HEAD SCREWS M5x12
20	1186726	FILTER HOLDER GASKET \varnothing 74x56x9 mm
21	1190001	PAPER SHIM \varnothing 73x59x0.8 mm
22	1190002	RUBBER SHIM \varnothing 73x59x1 mm EPDM
25	1349651	PIPETTE FITTING 90°
26	1449685	SILICONE HOSE \varnothing 6x10 SHORE 60 - 5 m
27	1455067	VOLUMETRIC FLOWMETER GICAR
34	1186088	O-RING 02037 VITON
37	1250101	FILTER BLOCKING SPRING \varnothing 1,00 mm INOX
38	1160038	1 CUP FILTER 6 gr
39	1160040	1 CUP FILTER 7 gr
40	1160092	1 CUP FILTER 7 gr
41	1160088	1 CUP FILTER 8 gr
42	1160039	2 CUPS FILTER 12 gr
43	1160041	2 CUPS FILTER 14 gr
44	1160089	2 CUPS FILTER 16 gr
45	1160090	2 CUPS FILTER 18 gr
46	1165048	FILTER HOLDER RENEKA
47	1241502	FILTER HOLDER HANDLE M10
51	1242020	FILTER HOLDER KNOB M10
53	1022504	CLOSED SINGLE SPOUT \varnothing 3/8"
54	1022502	DOUBLE SPOUT \varnothing 3/8"
55	1022551	TRIPLE SPOUT \varnothing 3/8"
58	1384002	BRUSH FOR MAINTENANCE
59	1069002	STAINLESS STEEL MEASURING SPOON 20 ml
60	1069001	PLASTIC MEASURING SPOON 20 ml
61	1384001	BRUSH FOR COFFEE SHOWER
62	1384003	BLACK SHOWER CLEANING BRUSH
63	1385002	NYLON COFFEE TAMPER \varnothing 50/57 mm
64	1385053	ANODISED ALUMINUM TAMPER \varnothing 58 mm
65	1385600	DYNAMOMETRIC MANUAL COFFEE TAMPER \varnothing 57mm
67	1160030	3 CUPS FILTER 21 gr



BREW GROUP MOSAIC

MOSAIC





RENEKA

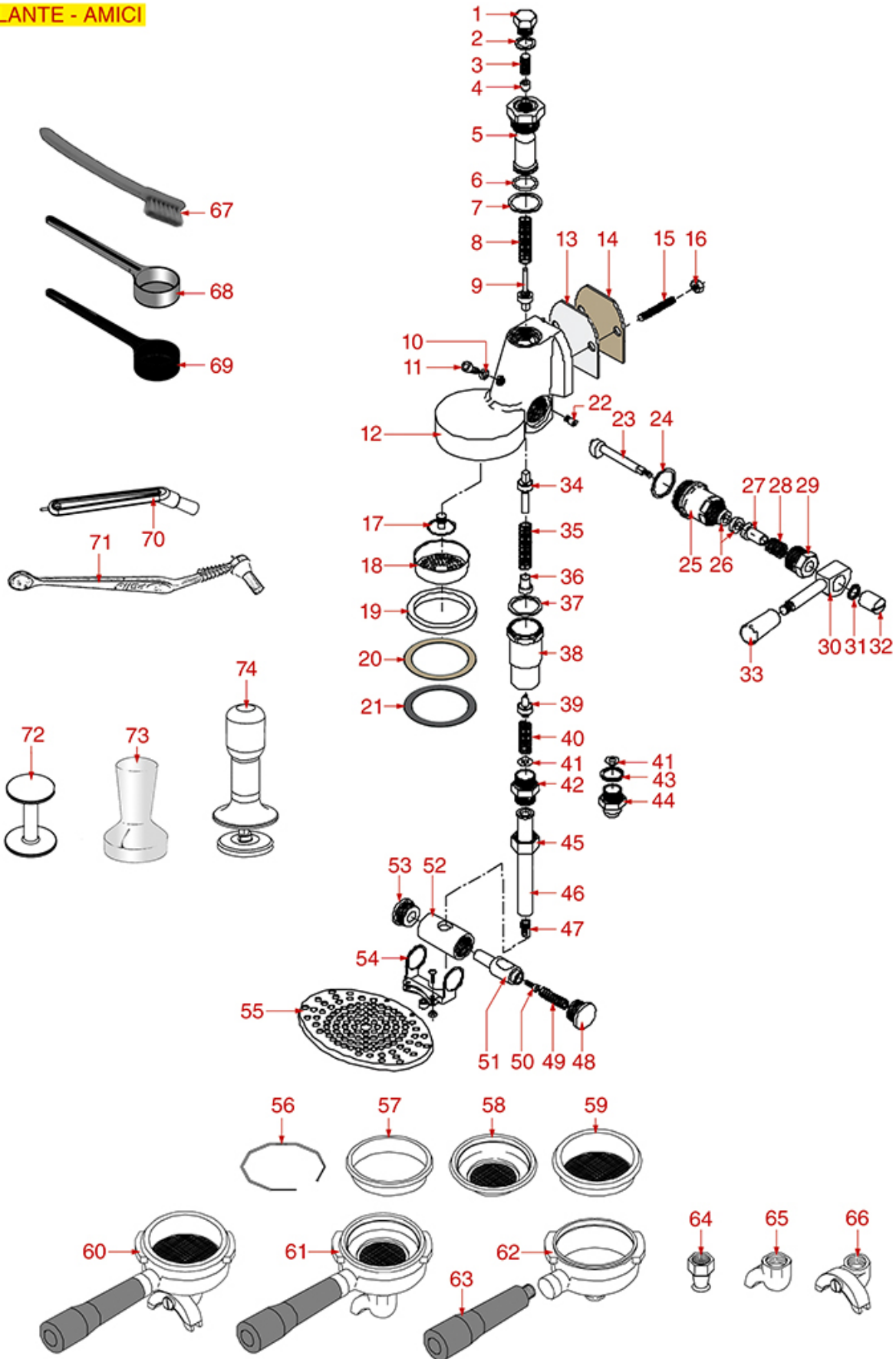


Position	LF code no.	Description
5	1455034	CYLINDER HEAD SCREW M4x10
9	1786062	GASKET FILTER HOLDER \varnothing 72x56x8 mm
10	3160044	O-RING 03187 EPDM
12	1081006	SHOWER SCREEN \varnothing 51.5 mm
12	1081007	SHOWER \varnothing 51.5 mm
13	1528031	COUNTERSUNK FLAT HEAD SCREWS M5x12
20	1349111	FITTING \varnothing 1/8" M 1/4" M
21	1186611	O-RING 02025 RED SILICONE
22	3120034	FEMALE LARGE CONNECTOR
23	1120330	3-WAY SOLENOID VALVE LUCIFER 240V 50Hz
23	1120332	COIL LUCIFER/PARKER 220/240V 9W 50Hz
23	1120334	3-WAY MECHANICAL COMPONENT LUCIFER
23	1120335	3-WAY SOLENOID VALVE PARKER 230V 50/60Hz
23	1120339	3-WAY MECHANICAL COMPONENT PARKER
23	3120032	COIL PARKER ZB09 9W 220/240V 50/60Hz
25	1449681	SILICONE HOSE \varnothing 4x7 SHORE 60 - 5 m
29	1250101	FILTER BLOCKING SPRING \varnothing 1,00 mm INOX
31	1160040	1 CUP FILTER 7 gr
32	1160041	2 CUPS FILTER 14 gr
33	1241501	FILTER HOLDER HANDLE M12
34	1165064	FILTER HOLDER BFC/ROYAL/RK
37	1022032	SINGLE SPOUT \varnothing 3/8"
39	1384002	BRUSH FOR MAINTENANCE
40	1069002	STAINLESS STEEL MEASURING SPOON 20 ml
41	1069001	PLASTIC MEASURING SPOON 20 ml
42	1384001	BRUSH FOR COFFEE SHOWER
43	1384003	BLACK SHOWER CLEANING BRUSH
44	1385002	NYLON COFFEE TAMPER \varnothing 50/57 mm
45	1385053	ANODISED ALUMINUM TAMPER \varnothing 58 mm
46	1385600	DYNAMOMETRIC MANUAL COFFEE TAMPER \varnothing 57mm



BREW GROUP ATALANTE-AMICI

ATALANTE - AMICI



RK0301



RENEKA

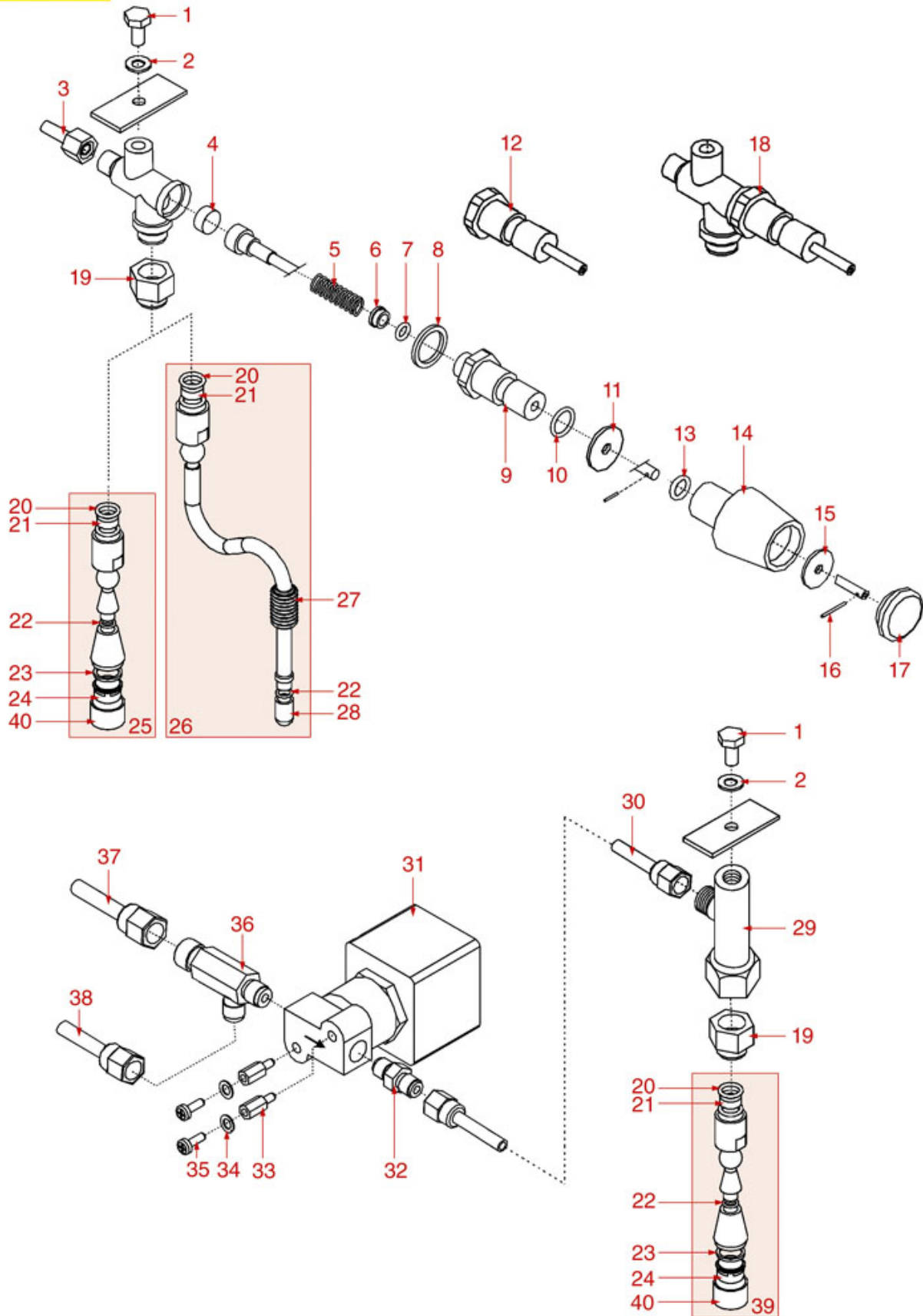


Position	LF code no.	Description
1	1439001	CAP ø 16 mm FOR BREW GROUP
2	1186326	PTFE FLAT GASKET ø 22x16x2 mm
3	1160517	WATER FILTER ø 8.5x22 mm
4	1501522	NOZZLE M6x1 HOLE ø 0,75 mm
5	1027016	UPPER CHROMIUM-PLATED SLEEVE
6	1186591	O-RING 0128 VITON
7	1186328	PTFE FLAT GASKET ø 35x30x2 mm
8	1250537	SPRING ø 14x45 mm
9	1523451	COMPLETE SPOUT VALVE
10	1186099	PTFE FLAT GASKET ø 10x6x1 mm
11	1184010	LOW CYLINDER HEAD SCREW M6x10
13	1186508	COFFEE GROUP GASKET 77x73x2 mm
14	1186384	COFFEE GROUP GASKET 80x70x2 mm
16	3060069	HEXAGONAL NUT M8 MEDIUM
17	1501561	GROUP SPRAY NOZZLE ø 30 mm M10x1
18	1081016	SHOWER SCREEN ø 60 mm
18	1081116	SHOWER SCREEN ø 60 mm
18	1081216	SHOWER SCREEN ø 60 mm
18	1081516	SHOWER ø 60 mm
19	1186722	FILTER HOLDER GASKET ø 73x57x8 mm
20	1190001	PAPER SHIM ø 73x59x0.8 mm
21	1190002	RUBBER SHIM ø 73x59x1 mm EPDM
22	1184005	CAM LOCKING STAINLESS STEEL SCREW M6
23	1184551	CAM FOR COFFEE GROUP
24	1186328	PTFE FLAT GASKET ø 35x30x2 mm
25	1349022	CAMS CHROMIUM-PLATED FITTING
26	1186312	EPDM FLAT GASKET ø 15.5x7.5x4 mm
27	1186313	CAM GUIDE BUSHING
28	1250011	SPRING ø 14.6x21 mm RUBBERPIECE LOCKING
29	1439533	STUFFING GLAND CHROME-PLATED FITTING
32	1225002	CHROMIUM-PLATED CAP M6
34	1523452	COMPLETE DRAIN VALVE
35	1250537	SPRING ø 14x45 mm
36	1186592	SPRING GUIDE BUSHING
37	1186328	PTFE FLAT GASKET ø 35x30x2 mm
38	1027002	OUTLET CHROMIUM-PLATED SLEEVE
39	1523453	COMPLETE DRAIN VALVE
40	1250515	SPRING ø 14x33 mm
41	1349536	DRAIN JET SWIRL
43	1186117	PTFE FLAT GASKET ø 26x21x2 mm
44	1349537	DRAIN CHROMIUM-PLATED FITTING
50	5034989	CYLINDER HEAD SCREW M4x8
56	1250002	S/STEEL FILTER LOCKING SPRING ø 1.20 mm
57	1160339	BLIND FILTER
58	1160094	1 CUP FILTER 6 gr
58	1160335	1 CUP FILTER 7 g
59	1160093	1 CUP FILTER 8 gr
59	1160095	2 CUPS FILTER 12 gr
62	1165061	COFFEE MACHINE FILTER HOLDER
63	1241504	FILTER HOLDER HANDLE M12
64	1022503	STRAIGHT SINGLE SPOUT ø 3/8"
65	1022059	SINGLE SPOUT ø 3/8"
66	1022502	DOUBLE SPOUT ø 3/8"
67	1384002	BRUSH FOR MAINTENANCE
68	1069002	STAINLESS STEEL MEASURING SPOON 20 ml
69	1069001	PLASTIC MEASURING SPOON 20 ml
70	1384001	BRUSH FOR COFFEE SHOWER
71	1384003	BLACK SHOWER CLEANING BRUSH
72	1385002	NYLON COFFEE TAMPER ø 50/57 mm
73	1385053	ANODISED ALUMINUM TAMPER ø 58 mm
74	1385600	DYNAMOMETRIC MANUAL COFFEE TAMPER ø 57mm
74	1385602	MANUAL DYNAMOMETRICAL TAMPER ø 57 mm



WATER/STEAM TAP VIVAE-VIVAS

VIVAE - VIVAS





RENEKA

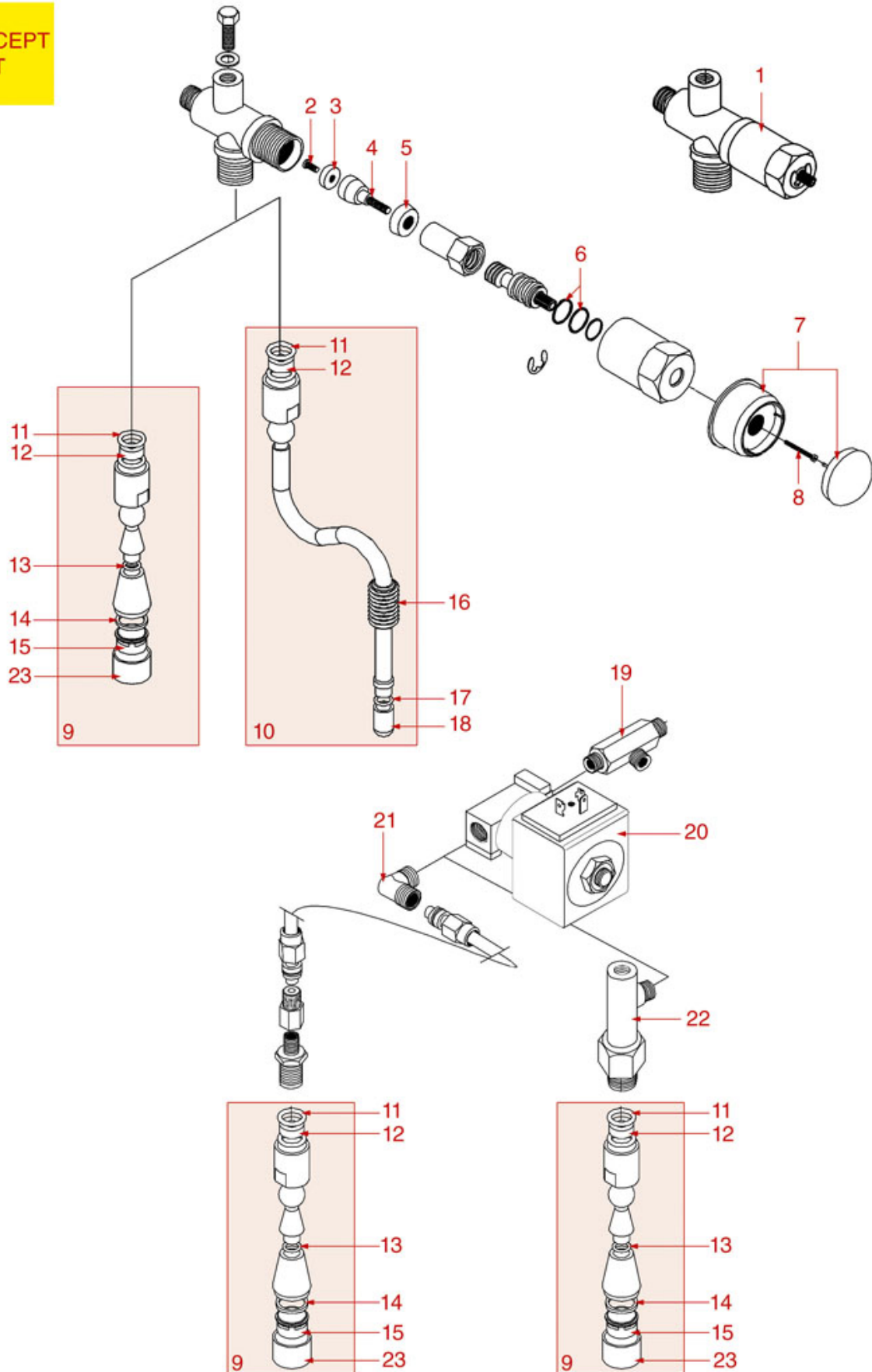


Position	LF code no.	Description
1	1528622	HEXAGON HEAD SCREW M8x16
2	1528008	WASHER FLAT M8
4	1186442	BLIND GASKET \varnothing 12x5.8 mm SILICONE
5	1250415	TAP SPRING \varnothing 10x32 mm
7	1186854	O-RING EPDM R5
11	1528089	BRASS FLAT WASHER \varnothing 21x6x2 mm
13	3060608	O-RING O3050 EPDM
14	1241145	WATER/STEAM TAP KNOB
15	1528089	BRASS FLAT WASHER \varnothing 21x6x2 mm
16	1389001	S/STEEL PIN \varnothing 2x20 mm
17	1241140	CHROME PLATED CAP FOR KNOB
18	1359012	WATER-STEAM TAP
20	3060608	O-RING O3050 EPDM
21	1186344	CONICAL PTFE SEAL \varnothing 14.5x7x6 mm
22	1786063	O-RING M 0072-15 EPDM
23	1186410	FLAT EPDM GASKET \varnothing 21x16x2 mm
24	1449317	WATER PIPE NOZZLE
25	1449140	WATER PIPE
26	1449395	STEAM PIPE
27	1186180	BURN PREVENTING RUBBERPIECE \varnothing 10 mm
31	1120460	2-WAY SOLENOID VALVE LUCIFER 240V 50Hz
32	1349101	FITTING \varnothing 1/8"M-1/8"M NICKEL-PLATED
39	1449396	WATER PIPE
40	1449018	WATER PIPE NOZZLE



WATER/STEAM TAP VIVA-CONCEPT-XL

VIVA
CONCEPT
PILOT
XL





RENEKA

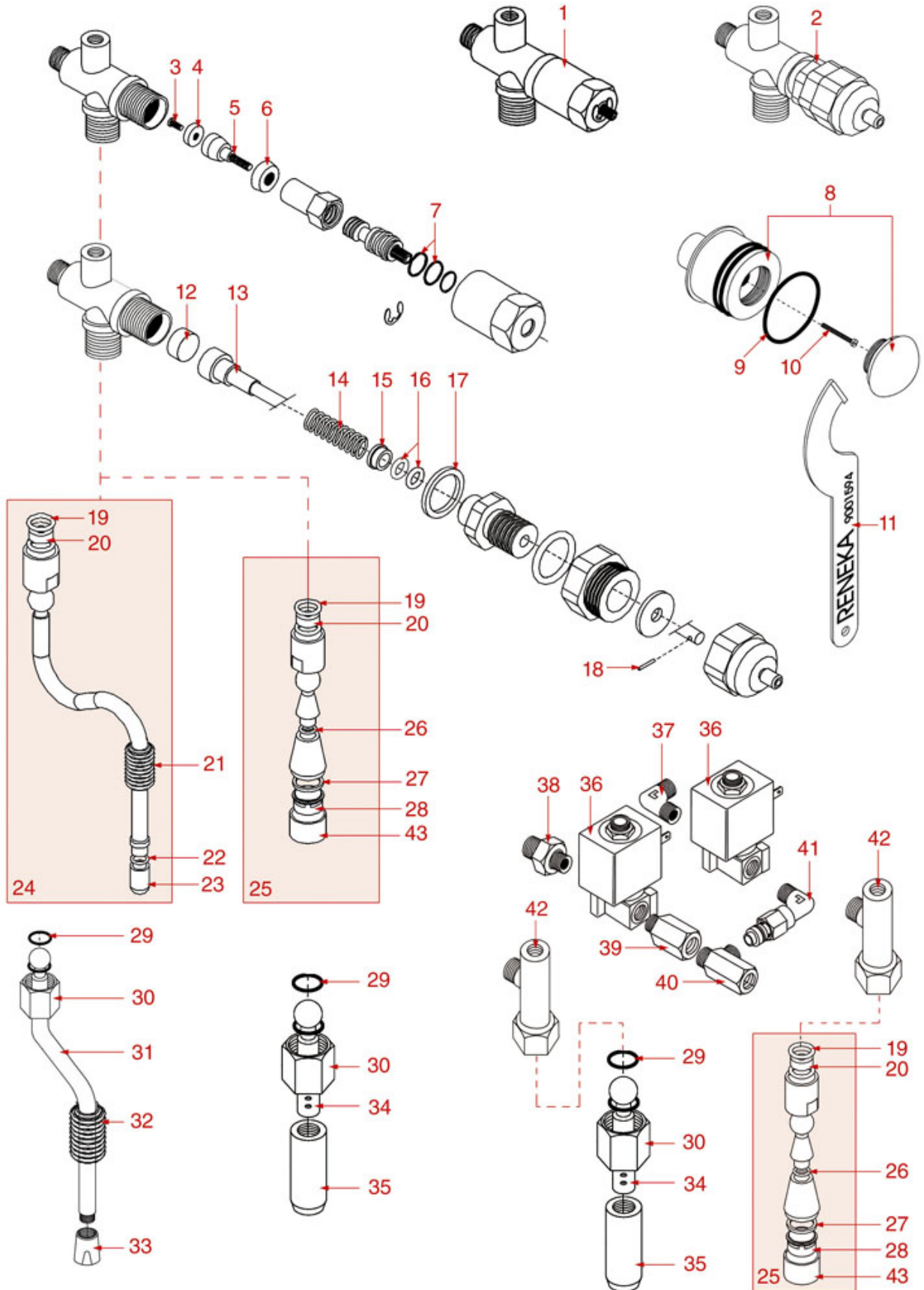


Position	LF code no.	Description
1	1348221	WATER/STEAM TAP
3	1186083	FLAT EPDM GASKET \varnothing 12x3x4 mm
5	1186084	LIP SEAL \varnothing 16x6x5 mm
6	1186346	O-RING 02043 EPDM
7	1241111	STEAM TAP KNOB
7	1241112	WATER TAP KNOB
9	1449140	WATER PIPE
10	1449395	STEAM PIPE
11	3060608	O-RING O3050 EPDM
13	1786063	O-RING M 0072-15 EPDM
14	1186410	FLAT EPDM GASKET \varnothing 21x16x2 mm
15	1449317	WATER PIPE NOZZLE
16	1186180	BURN PREVENTING RUBBERPIECE \varnothing 10 mm
20	1120460	2-WAY SOLENOID VALVE LUCIFER 240V 50Hz
23	1449018	WATER PIPE NOZZLE



WATER/STEAM TAP PLUS-PRESTIGE

PLUS - PRESTIGE





RENEKA

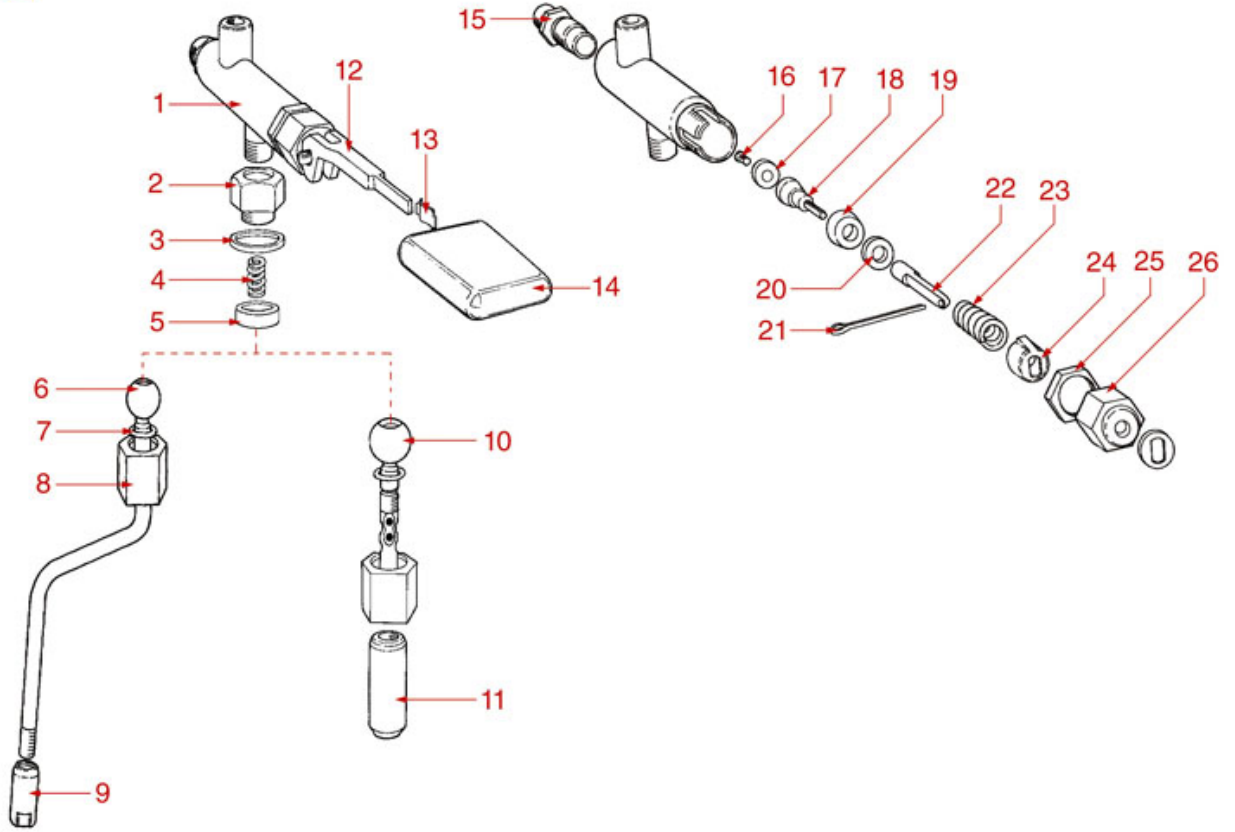


Position	LF code no.	Description
1	1348221	WATER/STEAM TAP
2	1348221	WATER/STEAM TAP
4	1186083	FLAT EPDM GASKET \varnothing 12x3x4 mm
6	1186084	LIP SEAL \varnothing 16x6x5 mm
7	1186346	O-RING 02043 EPDM
9	3186338	O-RING 04143 EPDM
12	1186442	BLIND GASKET \varnothing 12x5.8 mm SILICONE
14	1250415	TAP SPRING \varnothing 10x32 mm
16	1186854	O-RING EPDM R5
18	1389001	S/STEEL PIN \varnothing 2x20 mm
19	3060608	O-RING O3050 EPDM
20	1186344	CONICAL PTFE SEAL \varnothing 14.5x7x6 mm
21	1186180	BURN PREVENTING RUBBERPIECE \varnothing 10 mm
22	1786063	O-RING M 0072-15 EPDM
24	1449395	STEAM PIPE
25	1449396	WATER PIPE
26	1786063	O-RING M 0072-15 EPDM
27	1186410	FLAT EPDM GASKET \varnothing 21x16x2 mm
28	1449317	WATER PIPE NOZZLE
29	1186458	RED SILICONE RING 03050
31	1449395	STEAM PIPE
32	1186180	BURN PREVENTING RUBBERPIECE \varnothing 10 mm
36	1120460	2-WAY SOLENOID VALVE LUCIFER 240V 50Hz
37	1349274	ELBOW FITTING \varnothing 1/8"M-1/8"M
38	1349111	FITTING \varnothing 1/8"M 1/4"M
43	1449018	WATER PIPE NOZZLE

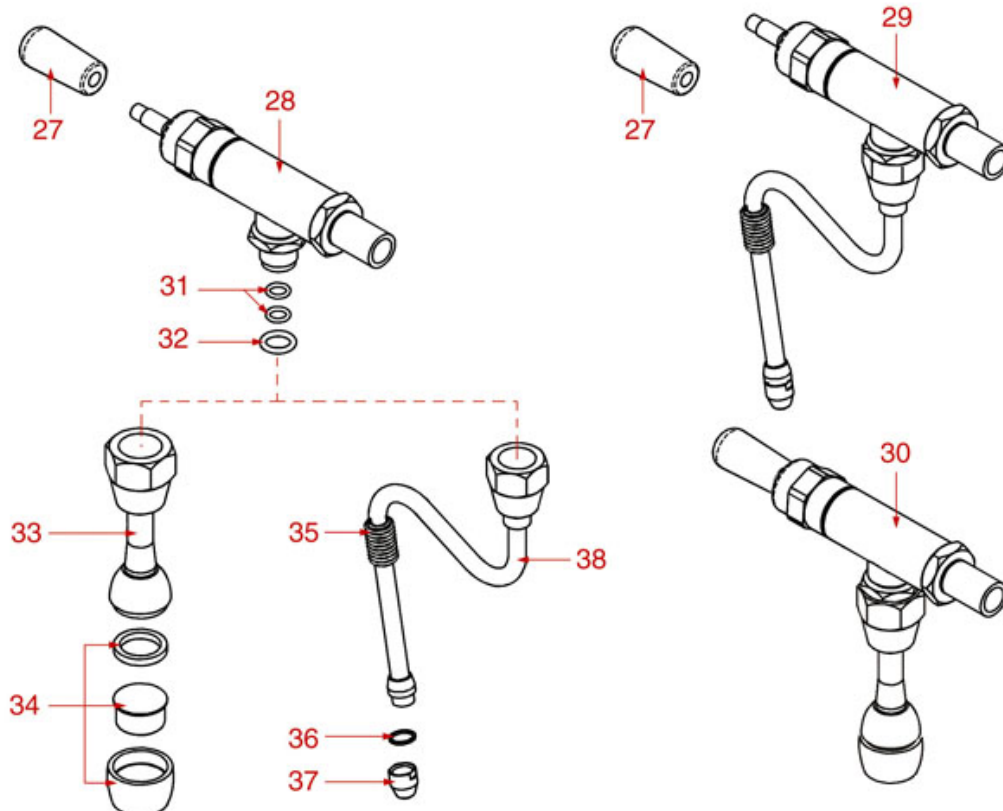


WATER/STEAM TAP SINGLE-MOSAIC

SINGLE



MOSAIC





RENEKA

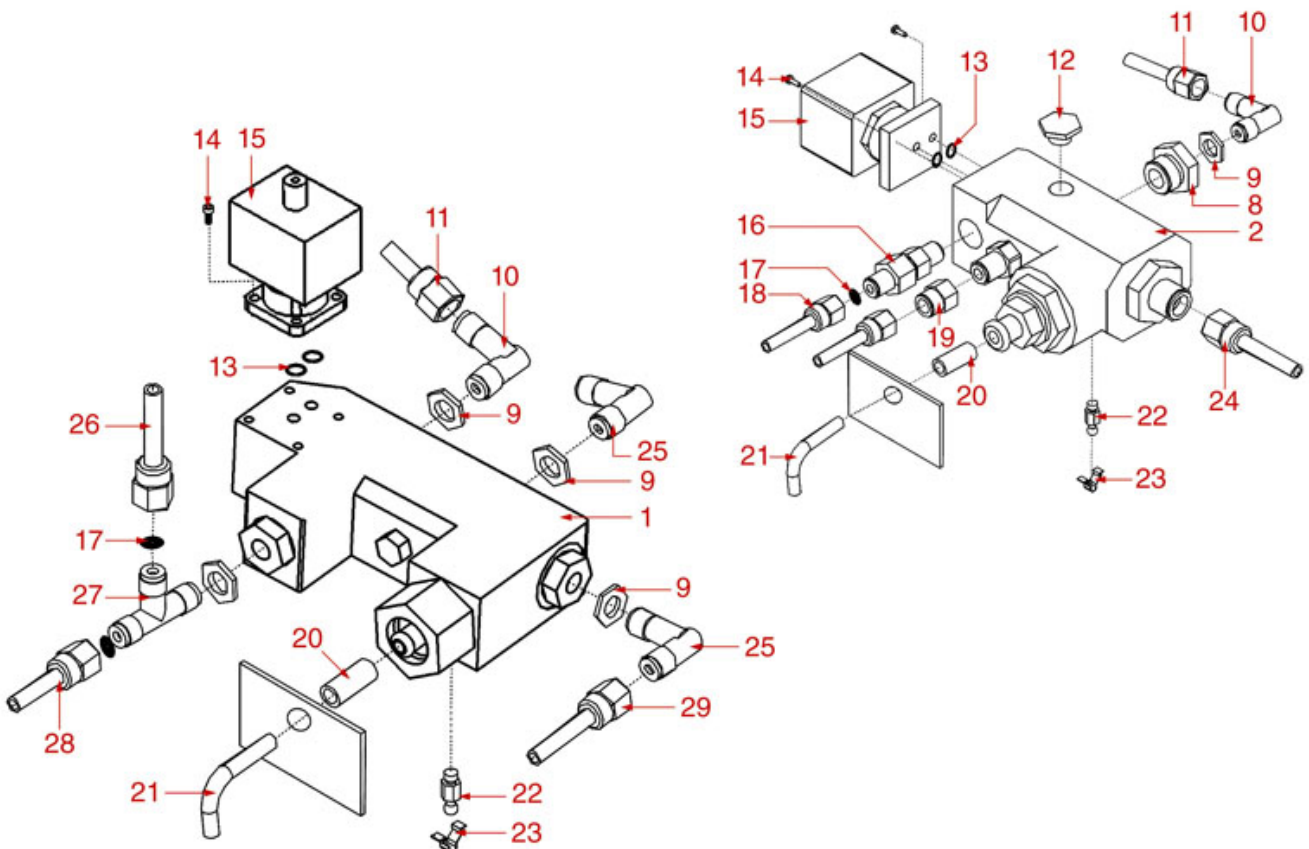
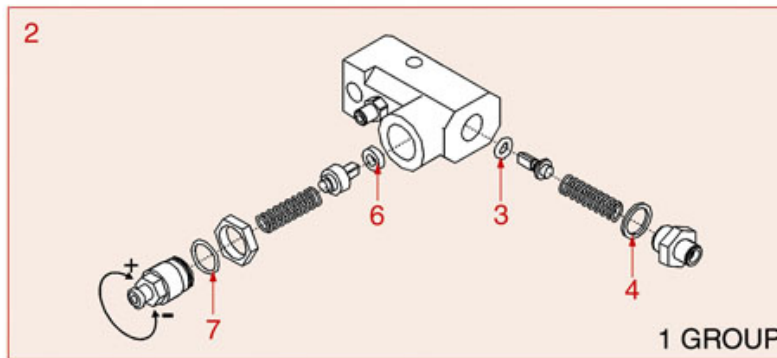
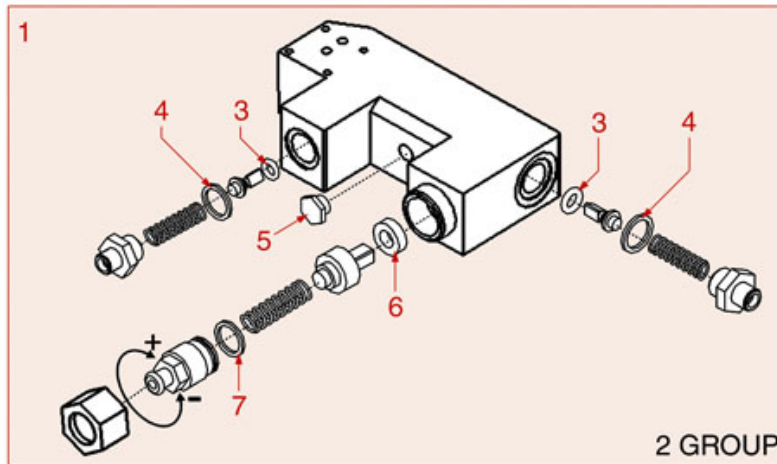


Position	LF code no.	Description
6	1449395	STEAM PIPE
7	3060608	O-RING O3050 EPDM
17	1186083	FLAT EPDM GASKET ø 12x3x4 mm
19	1186084	LIP SEAL ø 16x6x5 mm
28	1548021	STEAM/WATER TAP
29	1348102	STEAM TAP ASSY
34	1449317	WATER PIPE NOZZLE



WATER INLET TAP VIVAE-VIVAS-LC

VIVAE-VIVAS
LC-MOSAIC





RENEKA

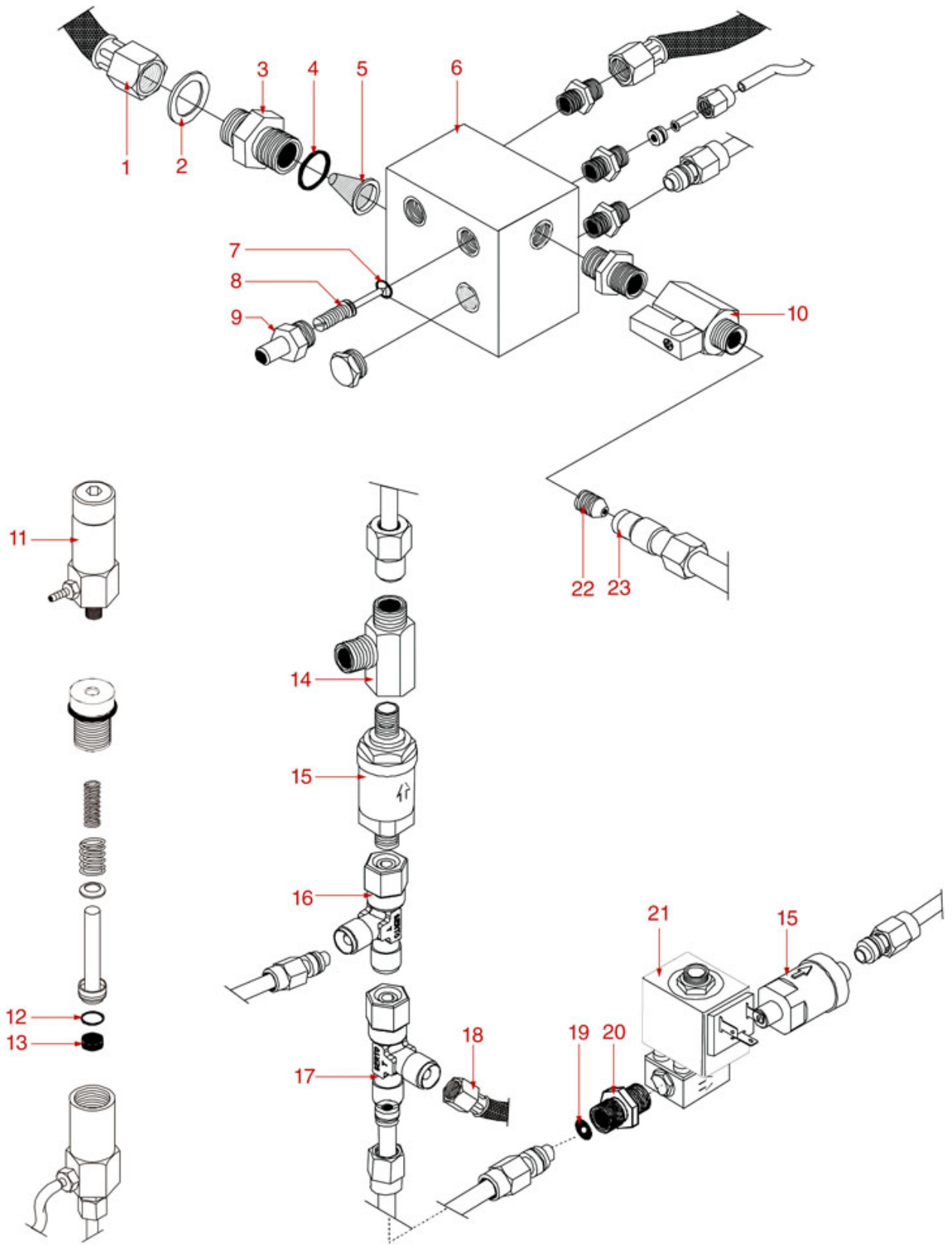


Position	LF code no.	Description
3	1186422	O-RING 0108 EPDM
4	1186201	GASKET FLAT PTFE \varnothing 21x16.8x2 mm
6	1186161	FLAT EPDM GASKET \varnothing 13x4x4 mm
7	1786064	O-RING M 0170-20 EPDM
8	1349137	FITTING \varnothing 1/4"M-1/8"F
9	1349009	LOW NUT 1/8"
10	1349013	L-FITTING \varnothing 1/8"M-1/8"M NICKEL-PLATED
13	1186611	O-RING 02025 RED SILICONE
14	1455034	CYLINDER HEAD SCREW M4x10
15	1120352	2-WAY SOLENOID VALVE PARKER 230V 50/60Hz
16	1523034	NON-RETURN VALVE \varnothing 1/8"M-1/8"M
19	1349137	FITTING \varnothing 1/4"M-1/8"F
20	1449685	SILICONE HOSE \varnothing 6x10 SHORE 60 - 5 m



WATER INLET TAP VIVA-CONCEPT-XL

VIVA-CONCEPT-PLUS-TEMPO-XL





RENEKA



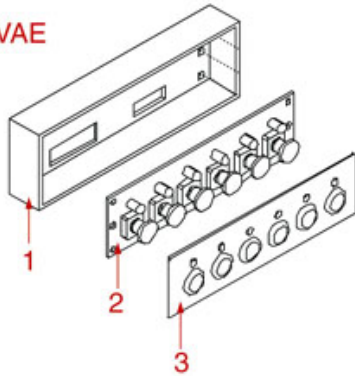
Position	LF code no.	Description
1	1449089	FLEX HOSE \varnothing 3/8" Fp x Fp 2000 mm
2	1186620	COPPER FLAT GASKET \varnothing 22x17x1.5 mm
3	1349103	FITTING \varnothing 3/8"M-3/8"M
4	3060608	O-RING O3050 EPDM
7	1186514	O-RING 02015 SILICON
10	3526699	BALL VALVE \varnothing 1/4" MF
12	1186085	RED SILICONE O-RING 0117
13	1186175	BLIND GASKET \varnothing 13x4 mm
15	1523700	NON-RETURN VALVE \varnothing 1/8"M-1/8"M
20	1349101	FITTING \varnothing 1/8"M-1/8"M NICKEL-PLATED
21	1120460	2-WAY SOLENOID VALVE LUCIFER 240V 50Hz



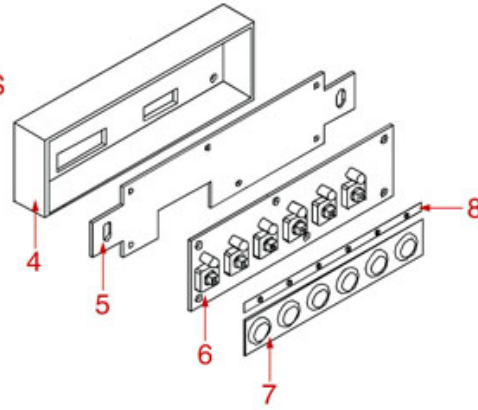
PUSH-BUTTONS VIVAE-VIVAS-VIVA

VIVAE-VIVAS-VIVA

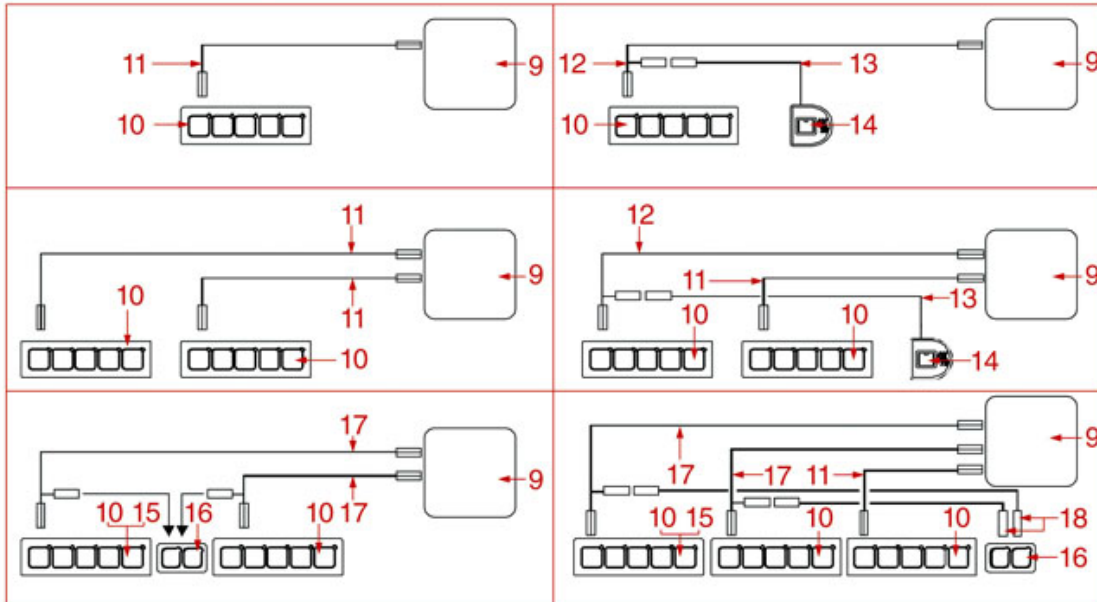
VIVAE



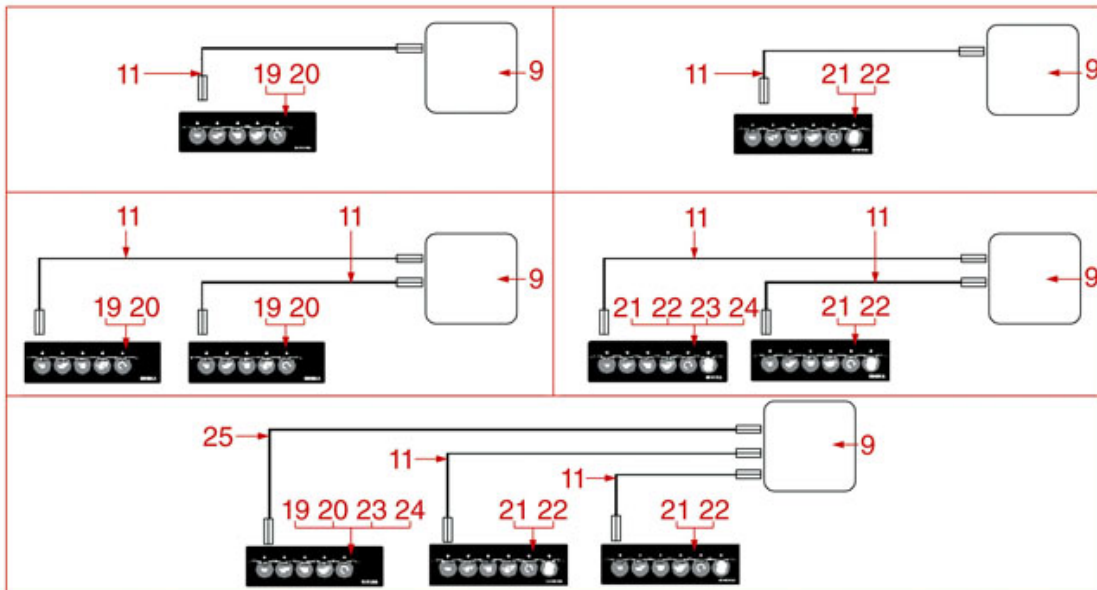
VIVAS



VIVA (before 2001)



VIVA (from 2001)





RENEKA

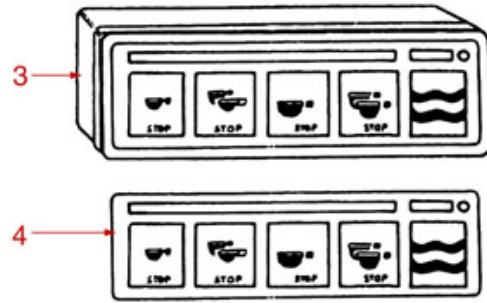
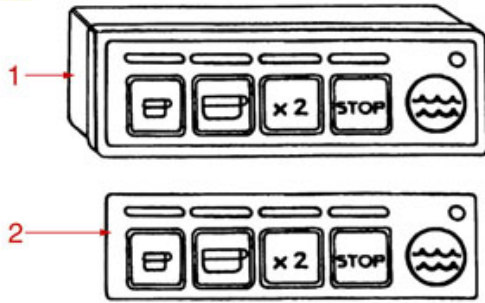


Position	LF code no.	Description
3	1319305	PUSH-BUTTON PANEL MEMBRANE 5 BUTTONS
6	1319299	P/BUTTON PANELBOARD 5 BUTTONS
9	1054029	DOSER CONTROL BOX 1-2-3 GROUPS 240V
19	1319302	PUSH-BUTTON PANEL 5 BUTTONS
20	1319111	PUSH-BUTTON PANEL MEMBRANE 5 BUTTONS
25	1050010	16-POLE CABLE FLAT 1100 mm

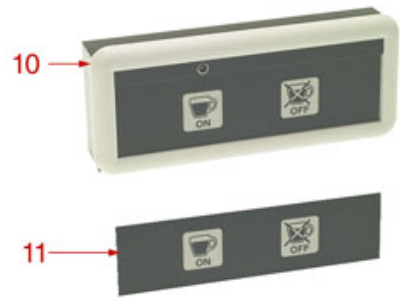
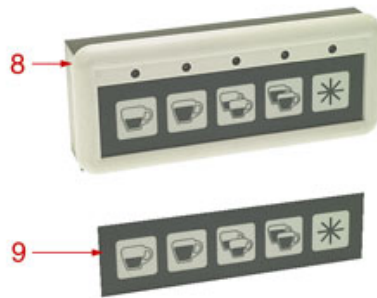
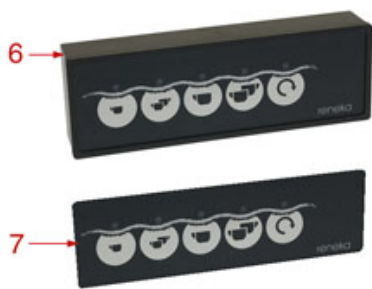


PUSH-BUTTONS BASIC-CONCEPT-LC-PILOT-XL

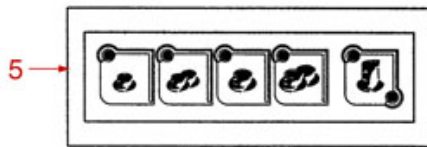
BASIC



LC



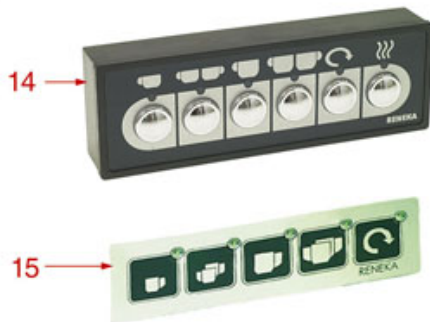
CONCEPT



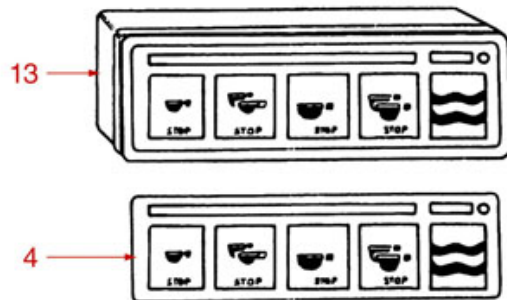
PILOT



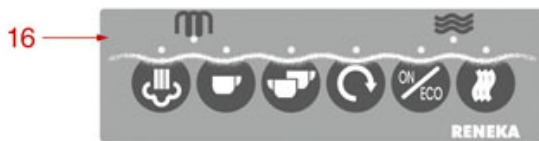
PLUS



SINGLE



TECHNO



XLBASIC





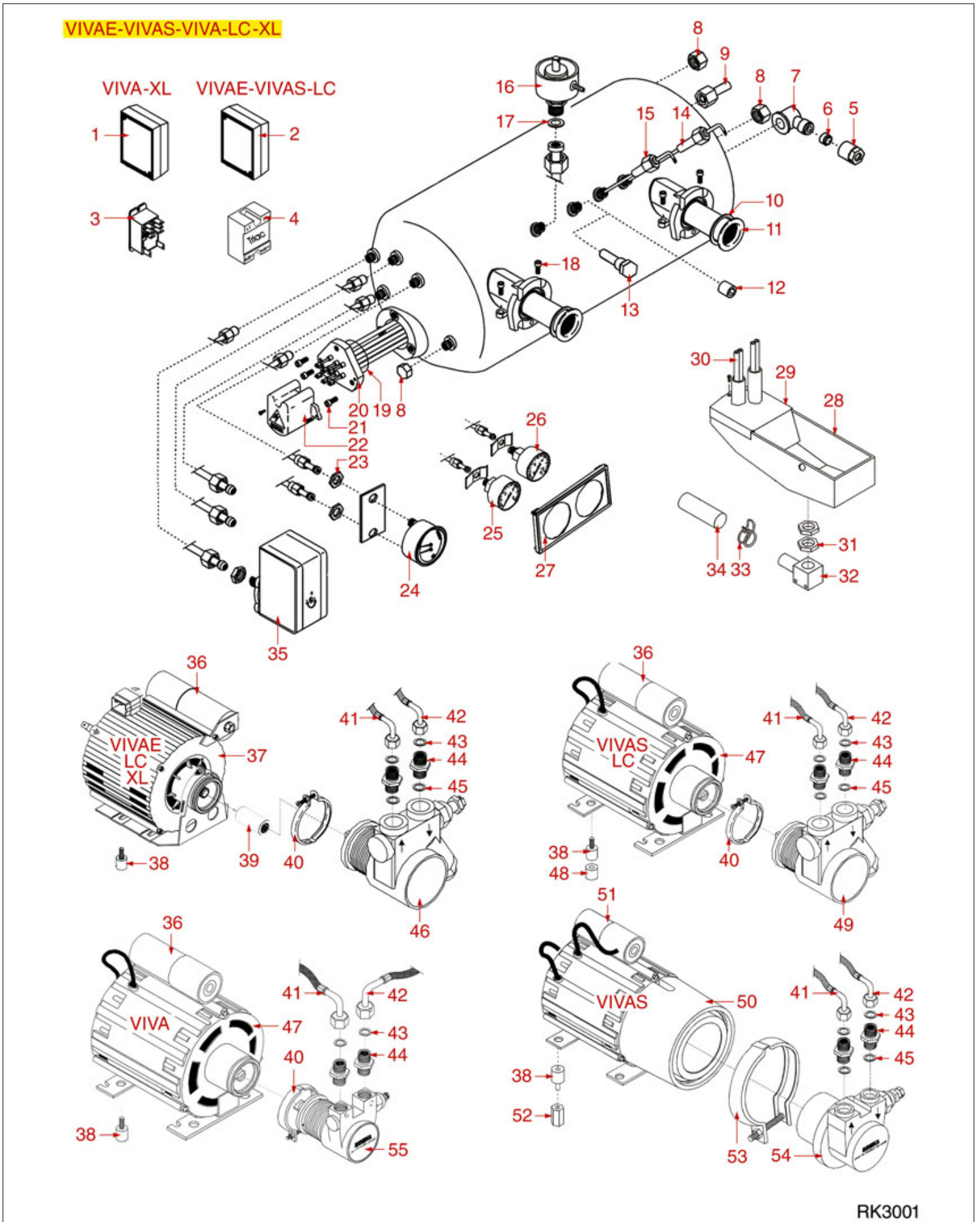
RENEKA



Position	LF code no.	Description
6	1319302	PUSH-BUTTON PANEL 5 BUTTONS
7	1319111	PUSH-BUTTON PANEL MEMBRANE 5 BUTTONS
8	1319132	PUSH-BUTTON PANEL 5 BUTTONS



BOILER AND MOTOR VIVAE-VIVAS-VIVA-LC-XL



RK3001

Positions without LF code no.: upon request



RENEKA

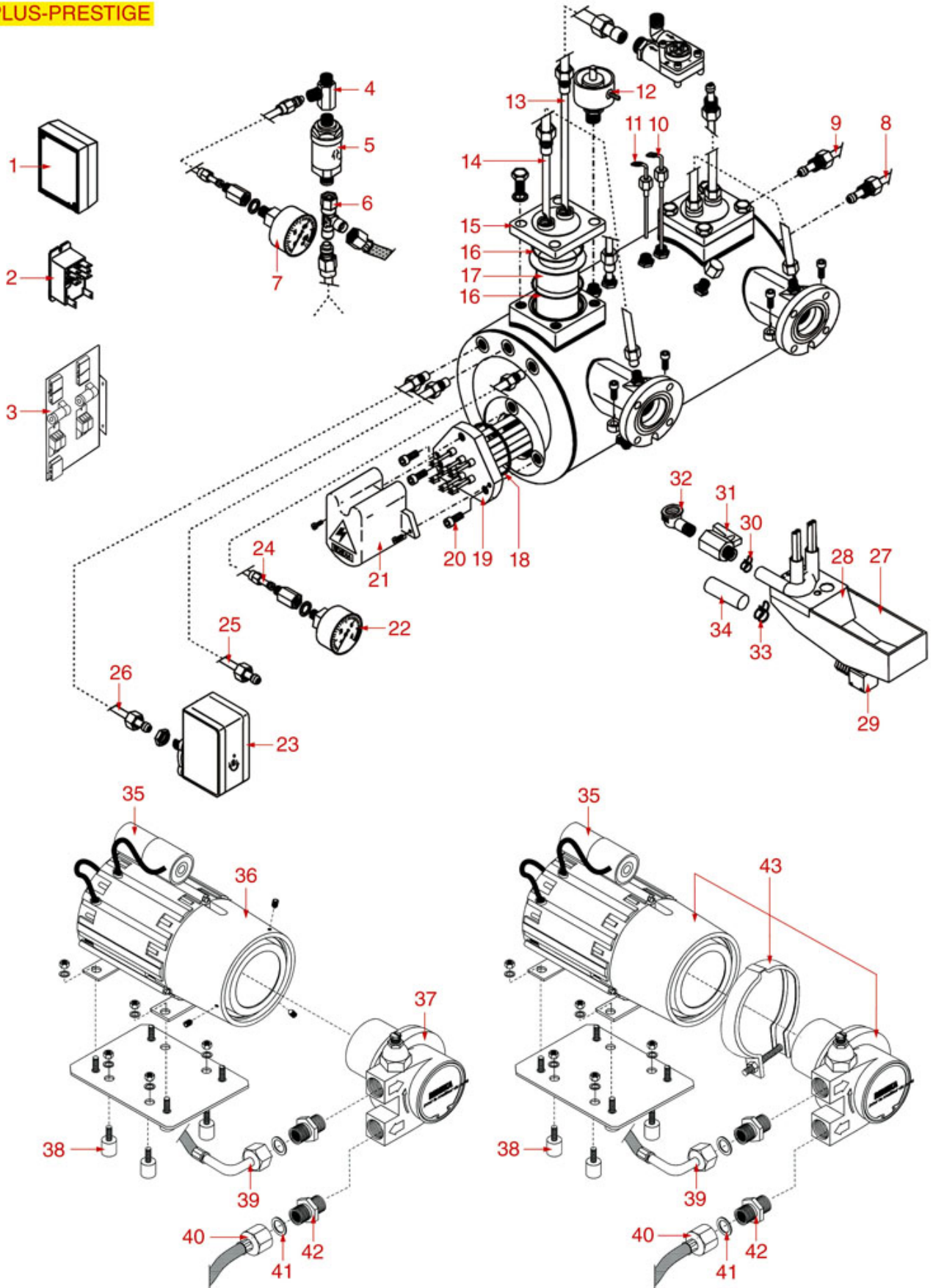


Position	LF code no.	Description
1	1054029	DOSER CONTROL BOX 1-2-3 GROUPS 240V
2	1054029	DOSER CONTROL BOX 1-2-3 GROUPS 240V
3	3351032	POWER RELAY 66.82 30A 250V
8	1439021	CAP \varnothing 1/4"F HEIGHT 16 mm NUT 17 mm
10	1186082	ROUND PTFE GASKET \varnothing 50x36x2 mm
14	1341021	LEVEL PROBE 150 mm
15	1341020	LEVEL PROBE 92 mm
16	1320008	BOILER VALVE \varnothing 1/2"M
17	3786562	ASBESTOS FREE FLAT GASKET \varnothing 18x12x2 mm
18	1528084	CYLINDER HEAD SCREW M8x25
19	3186290	O-RING 04187 EPDM
20	1455024	HEATING ELEMENT 4000W 230V
20	1455025	HEATING ELEMENT 2100W 220V
20	1455027	HEATING ELEMENT 3800W 220V
20	1755017	HEATING ELEMENT 3100W 230V
21	1528084	CYLINDER HEAD SCREW M8x25
23	1349009	LOW NUT 1/8"
24	1242008	BOILER-PUMP PRESSURE GAUGE \varnothing 63 mm
25	1242009	BOILER PRESSURE GAUGE \varnothing 40 mm 0÷4 bar
25	1245206	BOILER PRESSURE GAUGE \varnothing 49 mm 0÷3 bar
26	1242010	PUMP PRESSURE GAUGE \varnothing 40 mm 0÷16 bar
26	1245207	PUMP PRESSURE GAUGE \varnothing 49 mm 0÷16 bar
28	1022020	DRAIN TANK WITH S-HOLE
28	1022021	DRAIN TANK WITHOUT HOLE
30	1449681	SILICONE HOSE \varnothing 4x7 SHORE 60 - 5 m
31	1348036	NUT \varnothing 3/8" WRENCH 21x6mm
34	1449672	DRAIN PIPE ELISPIR \varnothing 16x23 mm - 5 m
35	1320531	PRESSURE SWITCH P302/6 3-POLES 30A
36	3068010	CAPACITOR μ F 6.3 450V 50/60Hz
40	1168011	STAINLESS STEEL CLAMP FOR FLANGE PUMP
43	1186620	COPPER FLAT GASKET \varnothing 22x17x1.5 mm
47	1240707	MOTOR RPM WITH CLAMP CONNECT. 120W 230V
49	1330016	ROTARY VANE PUMP PROCON \varnothing 3/8" NPT
51	3068008	CAPACITOR μ F 5 450V 50/60Hz
54	1330052	ROTARY VANE PUMP ROTOFLOW \varnothing 3/8" NPT



BOILER AND MOTOR PLUS-PRESTIGE

PLUS-PRESTIGE



RK3101

Positions without LF code no.: upon request



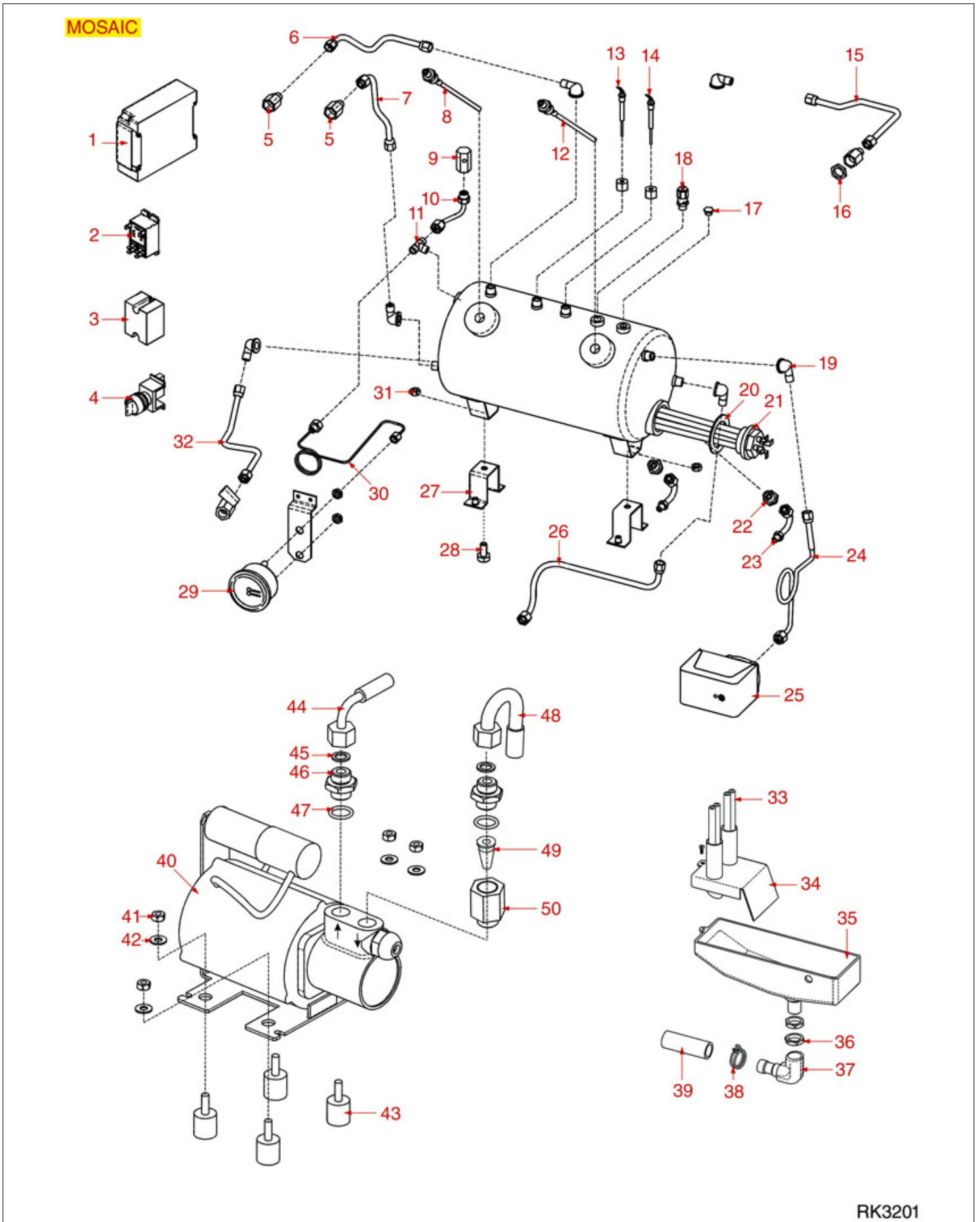
RENEKA



Position	LF code no.	Description
1	1054583	DOSER CONTROL BOX 4 GROUPS 230V
2	3351032	POWER RELAY 66.82 30A 250V
5	1523700	NON-RETURN VALVE ø 1/8"M-1/8"M
7	1242010	PUMP PRESSURE GAUGE ø 40 mm 0+16 bar
10	1341021	LEVEL PROBE 150 mm
12	1320008	BOILER VALVE ø 1/2"M
16	1186087	O-RING 0152 EPDM
18	3186290	O-RING 04187 EPDM
19	1455024	HEATING ELEMENT 4000W 230V
19	1455027	HEATING ELEMENT 3800W 220V
22	1242009	BOILER PRESSURE GAUGE ø 40 mm 0+4 bar
23	1320531	PRESSURE SWITCH P302/6 3-POLES 30A
27	1527031	DRAIN TRAY
28	1022020	DRAIN TANK WITH S-HOLE
31	3526699	BALL VALVE ø 1/4" MF
34	1449672	DRAIN PIPE ELISPIR ø 16x23 mm - 5 m
35	3068008	CAPACITOR µF 5 450V 50/60Hz
37	1330052	ROTARY VANE PUMP ROTOFLOW ø 3/8" NPT
41	1186620	COPPER FLAT GASKET ø 22x17x1.5 mm



BOILER AND MOTOR MOSAIC



RK3201

Positions without LF code no.: upon request



RENEKA

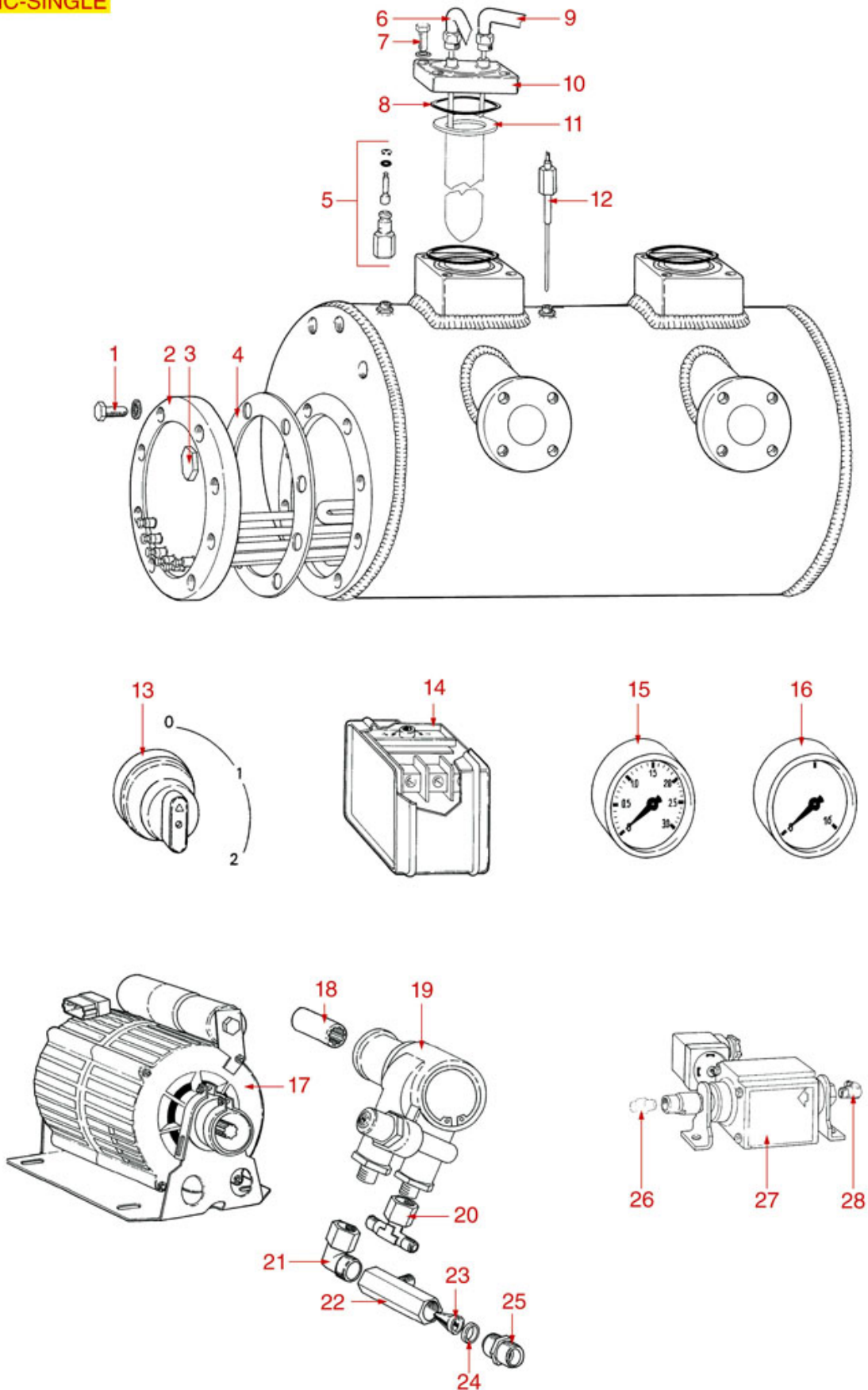


Position	LF code no.	Description
2	3351032	POWER RELAY 66.82 30A 250V
5	1349127	FITTING \varnothing 1/4"M-3/8"F
13	1341020	LEVEL PROBE 92 mm
14	1341021	LEVEL PROBE 150 mm
16	1348036	NUT \varnothing 3/8" WRENCH 21x6mm
20	3186010	ASBESTOS FREE FLAT GASKET \varnothing 54x42x2 mm
21	1755214	HEATING ELEMENT 3100W 230V
22	1349112	FITTING \varnothing 1/4"M-3/8"M
25	1320531	PRESSURE SWITCH P302/6 3-POLES 30A
28	1528084	CYLINDER HEAD SCREW M8x25
29	1242008	BOILER-PUMP PRESSURE GAUGE \varnothing 63 mm
31	1528621	HEXAGONAL NUT M8 SHORT M8
33	1449681	SILICONE HOSE \varnothing 4x7 SHORE 60 - 5 m
35	1022020	DRAIN TANK WITH S-HOLE
36	1348036	NUT \varnothing 3/8" WRENCH 21x6mm
39	1449672	DRAIN PIPE ELISPIR \varnothing 16x23 mm - 5 m
41	1528030	MID HEXAGONAL NUT M6
45	1186620	COPPER FLAT GASKET \varnothing 22x17x1.5 mm



BOILER AND MOTOR BASIC-SINGLE

BASIC-SINGLE





RENEKA



Position	LF code no.	Description
1	9528001	HEXAGON HEAD SCREW M10x25
7	9528001	HEXAGON HEAD SCREW M10x25
8	3186010	ASBESTOS FREE FLAT GASKET \varnothing 54x42x2 mm
14	1320531	PRESSURE SWITCH P302/6 3-POLES 30A
15	1245206	BOILER PRESSURE GAUGE \varnothing 49 mm 0+3 bar
16	1245207	PUMP PRESSURE GAUGE \varnothing 49 mm 0+16 bar
25	1349103	FITTING \varnothing 3/8"M-3/8"M
28	1349274	ELBOW FITTING \varnothing 1/8"M-1/8"M



RENEKA





UNIVERSAL SPOUTS



Photo	LF Code	Connection (∅)
1	1022501	3/8
2	1022504	3/8
3	1022503	3/8
4	5031337	3/8

UNIVERSAL SPOUTS



Photo	LF Code	Connection (∅)
1	1022502	3/8
2	1022521	3/8
3	1022523	3/8
4	1022522	3/8
5	1022551	3/8

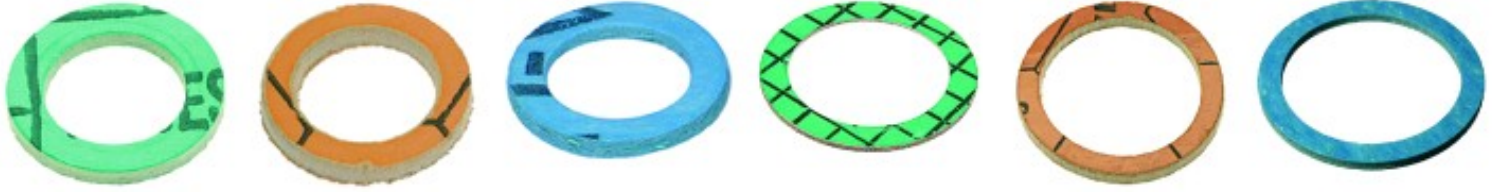
"PRECISION" SHOWER SCREENS RENEKA



Photo	LF Code	Dimensions	Membrane	Suitable for	For machine model
1	1460200	∅ 51.5 mm	200 µM	RENEKA	BASIC - CONCEPT - LC - LIFE - MOSAIC - OEM - PILOT - PLUS
2	1460205	∅ 51.5 mm	35 µM	RENEKA	BASIC - CONCEPT - LC - LIFE - MOSAIC - OEM - PILOT - PLUS
3	1081400	∅ 51.5 mm	200 µM PTFE	RENEKA	BASIC - CONCEPT - LC - LIFE - MOSAIC - OEM - PILOT - PLUS
4	1460201	∅ 60.0 mm	200 µM	RENEKA	AMICI - ATALANTE
5	1460206	∅ 60.0 mm	35 µM	RENEKA	AMICI - ATALANTE
6	1081401	∅ 60.0 mm	200 µM PTFE	RENEKA	AMICI - ATALANTE

Docce progettate per ottenere la perfetta estrazione del caffè , acciaio Aisi 316 , certificate alimentare

ASBESTOS FREE FLAT GASKETS



LF Code	Dimensions	Notes
1186042	∅ 9x5x1 mm	---
3186341	∅ 9x6x1 mm	---
3786349	∅ 14x9x2 mm	---
1186041	∅ 14.5x10x2 mm	---
1186148	∅ 15x7x2 mm	---
3186172	∅ 15x9x2 mm	---
1186112	∅ 15x10x1 mm	---
1186437	∅ 16x12x2 mm	---
1186039	∅ 17x13x2 mm	---
1186784	∅ 17.5x13x2 mm	---
3786543	∅ 18x12x1 mm	---
3786562	∅ 18x12x2 mm	---
3786350	∅ 18x12x2 mm	---
3186237	∅ 19x11x2 mm	---
1186394	∅ 22x17x2 mm	---
1186149	∅ 22x18x2 mm	---
1186368	∅ 23.5x20x1 mm	---
3786351	∅ 24x16x2 mm	---
3186575	∅ 25x12x2 mm	---
1186340	∅ 26x20x2 mm	---
1186183	∅ 29x16.5x2 mm	---
1186136	∅ 29x22x2 mm	---
3186138	∅ 30x21x2 mm	---
1186124	∅ 30x24x2 mm	---
3186005	∅ 32x26x3 mm	---
1186141	∅ 34x26.5x2 mm	---
1186757	∅ 36x30x2 mm	---
3186009	∅ 45x33x2 mm	---
1186125	∅ 50x38x4 mm	---
1186156	∅ 50x40x2 mm	FOR HEATING ELEMENTS BOOSTED - PER RESISTENZE BOOSTED
1786227	∅ 54x40x1.5 mm	---
3186010	∅ 54x42x2 mm	FOR HEATING ELEMENTS ∅ 1"1/4 - PER RESISTENZE ∅ 1"1/4
3786374	∅ 57x45x1.5 mm	---
3186242	∅ 61x46x2 mm	---
1186636	∅ 62x51x2 mm	FOR HEATING ELEMENTS - PER RESISTENZE
3186012	∅ 80x60x2 mm	---
3786471	∅ 90x77x2 mm	---



BALL VALVES



Photo	LF Code	Connections	Suitable for	For machine model
1	3526706	∅ 1/8"FF	UNIVERSAL	---
1	3526698	∅ 1/4"FF	BEZZERA 7451501	BZ35 - BZ40 - B2000 - B2013 - B3000 - B4000 - B6000
1	3526698	∅ 1/4"FF	SPAZIALE 08103	S5 COMPACT - S8 COMPACT - S9 COMPACT
1	3526702	∅ 3/8"FF	UNIVERSAL	---
1	3526703	∅ 1/2"FF	UNIVERSAL	---
1	3526707	∅ 3/4"FF	UNIVERSAL	---
2	3526697	∅ 1/8"MF	SAN MARCO 202241	NEW 105 - 100 - 105 - 85 - 95
2	3526699	∅ 1/4"MF	MANY BRANDS - MOLTI MARCHI	SEVERAL APPLICATIONS - MOLTE APPLICAZIONI
2	3526244	∅ 1/4"M-1/8"F	SAN MARCO 202244	95 - 105
2	3526704	∅ 3/8"MF	MARZOCCO L164	FB70 - FB80 - GB5 - GS3 - LINEA - MISTRAL
2	3526704	∅ 3/8"MF	NUOVA SIMONELLI 09000016	APPPIA - AURELIA - PREMIER
2	3526704	∅ 3/8"MF	VICTORIA ARDUINO 09000016	ADONIS - ATHENA - ATHENA LEVA
2	3526705	∅ 1/2"MF	UNIVERSAL	---
3	1525002	∅ 1/4"M-1/4"F	ASTORIA/CMA 20227003	PLUS4YOU
3	1525002	∅ 1/4"M-1/4"F	WEGA WY20227003	CONCEPT

BOILER SAFETY VALVES



Photo	LF Code	Technical notes	Suitable for
1	1515100	∅ 3/8"M 1.8 bar CE-PED	ALL BRANDS - TUTTE LE MARCHE
1	1515120	∅ 3/8"M 1.9 bar CE-PED	ALL BRANDS - TUTTE LE MARCHE
2	1515110	∅ 1/2"M 1.8 bar CE-PED	ALL BRANDS - TUTTE LE MARCHE
2	1523022	∅ 1/2"M 1.5 bar CE-PED	SPAZIALE

BOILER SAFETY VALVES



Photo	LF Code	Technical notes	Suitable for
1	1523543	∅ M18x1.5 1.8 bar	SAN MARCO OLD - VERSIONI VECCHIE
1	1523545	∅ M19x1.5 1.8 bar	GAGGIA OLD - VERSIONI VECCHIE
1	1523544	∅ M22x1.5 1.8 bar	PAVONI OLD - VERSIONI VECCHIE
2	1515003	∅ 1/4" M 2.1 bar	NUOVA SIMONELLI - VICTORIA ARDUINO
3	1523121	∅ 3/8" M 1.5 bar CE-PED	ELEKTRA
3	1523029	∅ 3/8" M 1.6 bar CE-PED	EXPOBAR - PROMAC - RANCILIO
3	1523059	∅ 3/8" M 1.8 bar CE-PED	ALL BRANDS - TUTTE LE MARCHE
3	1515025	∅ 3/8" M 1.9 bar CE-PED	CARIMALI - RANCILIO
3	1515007	∅ 3/8" M 2.0 bar CE-PED	CIMBALI - FAEMA
4	1523574	∅ 3/8" M 1.1 bar CE-PED	---
4	1523003	∅ 3/8" M 1.6 bar CE-PED	BRASILIA - FIAMMA - SAB ITALIA
4	1523572	∅ 3/8" M 1.8 bar CE-PED	ALL BRANDS - TUTTE LE MARCHE
5	1523571	∅ 1/4" M 1.8 bar CE-PED	---
5	1515004	∅ 1/4" M 2.0 bar CE-PED	CASADIO - CIMBALI - FAEMA
5	1515005	∅ 3/8" M 1.8 bar CE-PED	SANREMO
6	1515006	∅ 3/8" M - 3/8" M 1.8 bar CE-PED	BFC - ROYAL
6	1515017	∅ 3/8" M - 3/4" M 1.8 bar CE-PED	GAGGIA

BOILER SAFETY VALVES



Photo	LF Code	Technical notes	Suitable for
1	1515021	∅ 3/8" M - 1.9 bar	FRACINO
2	1515023	∅ 1/4" M	ISOMAC
3	1523013	---	PAVONI
4	1523025	M12	PAVONI
5	1320008	∅ 1/2" M - 1.5 bar	RENEKA
6	1515020	∅ 1/2" M	VIBIEMME



BOTTOMLESS FILTER HOLDERS



LF Code	Suitable for	Wings	Adapter filter for pods	Notes
1165034	Astoria / CMA	6.0 mm	No	---
1165117	Astoria / CMA	6.5 mm	No	Plus 4 you / Concept
1165181	Bezzera	5.8 mm	Yes	---
1165035	Brasilia	5.5 mm	Yes	---
1165038	Carimali	6.0 mm	No	---
1165182	Cimbali	5.5 mm	Yes	---
1165039	Conti	8.0 mm	No	---
1165119	Dalla Corte	9.0 mm	No	---
1165192	Expobar	6.2 mm	Yes	---
1165183	Faema	7.2 mm	Yes	---
1165195	Fiorenzato cs	6.4 mm	Yes	---
1165184	Futurmat	7.2 mm	No	---
1165185	Gaggia	6.6 mm	Yes	---
1165194	Grimac	7.0 mm	Yes	---
1165186	Marzocco	6.5 mm	Yes	---
1165086	Marzocco	6.8 mm	Yes	---
1165118	Nuova Simonelli	7.0 mm	No	Slanted body / Corpo inclinato
5030988	Pavoni	5.6 mm	Yes	---
1165187	Rancilio	6.2 mm	Yes	---
1165185	Saeco	6.6 mm	No	---
1165191	San Marco	7.0 mm	Yes	---
1165193	Sanremo	6.4 mm	Yes	---
5050620	Spaziale	6.0 mm	Yes	---
1165188	Vibiemme	6.2 mm	Yes	---
1165189	Wega	6.4 mm	Yes	---

BRASS WASHERS



LF Code	Dimensions	Suitable for	Notes
1186446	ø 28x17x2 mm	ASTORIA/CMA 25651	SEVERAL APPLICATIONS - MOLTE APPLICAZIONI
1186035	---	ASTORIA/CMA 25652	FOR LEVEL - PER LIVELLO
1528095	ø 15.4x9x1 mm	ASTORIA/CMA 25653	FOR INLET TAPS - PER RUBINETTI CARICO
1186376	ø 12x8x1 mm	ASTORIA/CMA 25655	FOR STEAM/WATER TAPS - PER RUBINETTI VAPORE/ACQUA
1186298	ø 13x6x0.5 mm	CIMBALI	FOR BREW GROUPS - PER GRUPPI EROGAZIONE
1186380	---	ELEKTRA 01380035	FOR LEVEL - PER LIVELLO
1186319	ø 13.9x8.3x1 mm	FAEMA 4051050569	FOR STEAM/WATER TAPS - PER RUBINETTI VAPORE/ACQUA
1186330	ø 6.8x3.2x0.5 mm	FAEMA 4051136002	FOR BREW GROUPS - PER GRUPPI EROGAZIONE
1528130	ø 26x16.5x1 mm	FAEMA 4051052071	FOR STEAM/WATER TAPS - PER RUBINETTI VAPORE/ACQUA



LF Code	Dimensions	Suitable for	Notes
1186330	∅ 6.8x3.2x0.5 mm	FUTURMAT 04527503	FOR BREW GROUPS - PER GRUPPI EROGAZIONE
1186306	∅ 10x5x1 mm	FUTURMAT 04715801	FOR BREW GROUPS - PER GRUPPI EROGAZIONE
1186283	∅ 14.5x7x2 mm	FUTURMAT 08165508	FOR STEAM/WATER TAPS - PER RUBINETTI VAPORE/ACQUA
1528029	∅ 12x7x1 mm	GAGGIA S313001	G105 - G106
1528025	∅ 17x12x1 mm	GAGGIA S313003	G105 - G106
1186685	---	GRIMAC 1300900066-GR296	FOR LEVEL - PER LIVELLO
1186732	∅ 15x8.4x1 mm	GRIMAC GR354	FOR STEAM/WATER TAPS - PER RUBINETTI VAPORE/ACQUA
1186681	---	GRIMAC GR738	FOR STEAM/WATER TAPS - PER RUBINETTI VAPORE/ACQUA
1528018	∅ 14x6.5x0.5 mm	MARZOCCO I.4.001	FOR STEAM/WATER TAPS - PER RUBINETTI VAPORE/ACQUA
1528130	∅ 26x16.5x1 mm	MARZOCCO L165/2	FOR BREW GROUPS - PER GRUPPI EROGAZIONE
1186035	---	MCE 25652	FOR LEVEL - PER LIVELLO
1186035	---	ORCHESTRALE D25652	FOR LEVEL - PER LIVELLO
1528029	∅ 12x7x1 mm	PAVONI 313001	EUROPICCOLA - PROFESSIONAL - ROMANTICA - STRADIVARI
1528025	∅ 17x12x1 mm	PAVONI 313003	EUROPICCOLA - PROFESSIONAL - ROMANTICA - STRADIVARI
1528028	∅ 14.5x9.5x1.5 mm	PAVONI 313004	EUROPICCOLA - PROFESSIONAL - STRADIVARI
1186330	∅ 6.8x3.2x0.5 mm	PAVONI 401050	FOR BREW GROUPS - PER GRUPPI EROGAZIONE
1186814	---	RANCILIO 23123003	FOR STEAM/WATER TAPS - PER RUBINETTI VAPORE/ACQUA
1186807	∅ 18x13x0.5 mm	RANCILIO 23131005	FOR LEVEL - PER LIVELLO
1528017	∅ 17x9x1 mm	RANCILIO 32239002	FOR STEAM/WATER TAPS - PER RUBINETTI VAPORE/ACQUA
1186992	∅ 15x7x0.8 mm	SAN MARCO 205081	FOR BREW GROUPS - PER GRUPPI EROGAZIONE
1186462	∅ 12x8x2 mm	SAN MARCO 205305	FOR INLET TAPS - PER RUBINETTI CARICO
1528018	∅ 14x6.5x0.5 mm	SCALA C-0270	FOR STEAM/WATER TAPS - PER RUBINETTI VAPORE/ACQUA
1186732	∅ 15x8.4x1 mm	VIBIEMME RACCROGU	FOR STEAM/WATER TAPS - PER RUBINETTI VAPORE/ACQUA
1186330	∅ 6.8x3.2x0.5 mm	VIBIEMME RACCROPOGU	FOR STEAM/WATER TAPS - PER RUBINETTI VAPORE/ACQUA
1186306	∅ 10x5x1 mm	WEGA W10526	FOR INLET TAPS - PER RUBINETTI CARICO
1186446	∅ 28x17x2 mm	WEGA WY25651	SEVERAL APPLICATIONS - MOLTE APPLICAZIONI
1186035	---	WEGA WY25652	FOR LEVEL - PER LIVELLO
1528095	∅ 15.4x9x1 mm	WEGA WY25653	FOR INLET TAPS - PER RUBINETTI CARICO
1186376	∅ 12x8x1 mm	WEGA WY25655	FOR STEAM/WATER TAPS - PER RUBINETTI VAPORE/ACQUA
1186330	∅ 6.8x3.2x0.5 mm	WEGA WY27421011	FOR BREW GROUPS - PER GRUPPI EROGAZIONE

CAPPUCCINATORE MINI



Photo	LF Code	Suitable for
1	1079001	BRASILIA - GRIMAC - SAECO
2	1079008	GRIMAC - PAVONI - RDL - SAECO - SPINEL
3	1079018	BFC - BRASILIA - GRIMAC - SAECO
4	5500786	BRASILIA - GRIMAC - SAECO
5	1079015	GRIMAC - PAVONI - RDL - SAECO - SPINEL



CAPPUCCINATORE STANDARD



Photo	LF Code	Suitable for
1	1079022	ASTORIA/CMA - CARIMALI - NUOVA SIMONELLI - WEGA
2	1079002	BRASILIA - BRUGNETTI - CARIMALI - NUOVA SIMONELLI
3	1079006	UNIVERSAL

CAPS RENEKA



Photo	LF Code	Dimensions	Notes	Suitable for	For machine model
1	1439001	∅ 16 mm	FOR BREW GROUPS - PER GRUPPI EROGAZIONE	RENEKA AT7479952	AMICI - ATALANTE
2	1439021	∅ 1/4" F	FOR HIDRAULIC SYSTEM - PER IMPIANTO IDRAULICO	RENEKA 9006654	VIVAE - VIVAS - VIVA - LC - XL

CARBO FLAT GASKETS



LF Code	Dimensions	Suitable for	Notes
1186517	∅ 31x21x3 mm	---	---
1186547	∅ 32x24x1.5 mm	NUOVA SIMONELLI	FOR BREW GROUPS - PER GRUPPI EROGAZIONE
1186627	∅ 41x33x3 mm	---	FOR HEATING ELEMENTS ∅ 1" - PER RESISTENZE ∅ 1"
1786215	∅ 50x40x2 mm	ASTORIA/CMA	FOR HEATING ELEMENTS BOOSTED - PER RESISTENZE BOOSTED
1186633	∅ 53x42x3 mm	---	FOR HEATING ELEMENTS ∅ 1"1/4 - PER RESISTENZE ∅ 1"1/4
1186942	∅ 55x42x2 mm	ELEKTRA	FOR HEATING ELEMENTS - PER RESISTENZE
1186637	∅ 56x47x3 mm	SAN MARCO	FOR HEATING ELEMENTS - PER RESISTENZE
1186606	∅ 57x43x3 mm	---	FOR HEATING ELEMENTS MOD FAEMA - PER RESISTENZE MOD FAEMA
1186607	∅ 57.8x50x3 mm	CIMALI	FOR HEATING ELEMENTS - PER RESISTENZE
3186011	∅ 63x48x2 mm	RANCILIO	FOR HEATING ELEMENTS - PER RESISTENZE
1186638	∅ 67x55x3 mm	NUOVA SIMONELLI	FOR HEATING ELEMENTS - PER RESISTENZE
1186548	∅ 73x61.5x1.5 mm	NUOVA SIMONELLI	FOR BREW GROUPS - PER GRUPPI EROGAZIONE
1186320	∅ 87x81x0.5 mm	MARZOCCO	FOR BREW GROUPS - PER GRUPPI EROGAZIONE

COFFEE FILTERS RENEKA



Photo	LF Code	Model	Suitable for	Notes
1	1160038	1 CUP - 6 gr	RENEKA 9003961	---
1	1160040	1 CUP - 7 gr	RENEKA 9003957	---
1	1160335	1 CUP - 7 gr	RENEKA 9003937	---
1	1160092	1 CUP - 7 gr	RENEKA 9003943	---
1	1160088	1 CUP - 8 gr	RENEKA 9003946	---
2	1160039	2 CUPS - 12 gr	RENEKA 9003948	---
2	1160041	2 CUPS - 14 gr	RENEKA 9003958	---
2	1160089	2 CUPS - 16 gr	RENEKA 9004245	---
2	1160090	2 CUPS - 18 gr	RENEKA 9003949	---
3	1160030	3 CUPS - 21 gr	RENEKA 9003939	---
4	1160091	POD 1 CUP	RENEKA 9003953	---
4	1160503	POD 1 CUP	RENEKA 9004223	---
4	1160504	POD 2 CUPS	RENEKA	---
1	1160094	1 CUP - 6 gr	RENEKA AT5471004	ATALANTE
1	1160093	1 CUP - 8 gr	RENEKA AT5471011	ATALANTE
2	1160095	2 CUPS - 12 gr	RENEKA AT5471007	ATALANTE
5	1160339	BLIND - CIECO	RENEKA AT5471003	ATALANTE

COFFEE GROUPS AND SPARE PARTS RENEKA



Photo	LF Code	Suitable for	For machine model
1	1027002	RENEKA AT7479957	ATALANTE - AMICI
2	1027016	RENEKA AT7479956	ATALANTE - AMICI
3	1349022	RENEKA AT7479967	ATALANTE - AMICI
4	1349537	RENEKA AT7479961	ATALANTE - AMICI
5	1439533	RENEKA AT7479971	ATALANTE - AMICI
6	1225002	RENEKA AT7479948	ATALANTE - AMICI



COFFEE GROUPS AND SPARE PARTS RENEKA



Photo	LF Code	Suitable for	For machine model
1	1186313	RENEKA AT7479969	ATALANTE - AMICI
2	1186592	RENEKA AT7479942	ATALANTE - AMICI
3	1349536	RENEKA AT7479945	ATALANTE - AMICI
4	1523451	RENEKA AT7479937	ATALANTE - AMICI
5	1523452	RENEKA AT7479946	ATALANTE - AMICI
6	1523453	RENEKA AT7479943	ATALANTE - AMICI

COFFEE GROUPS SPRINKLERS

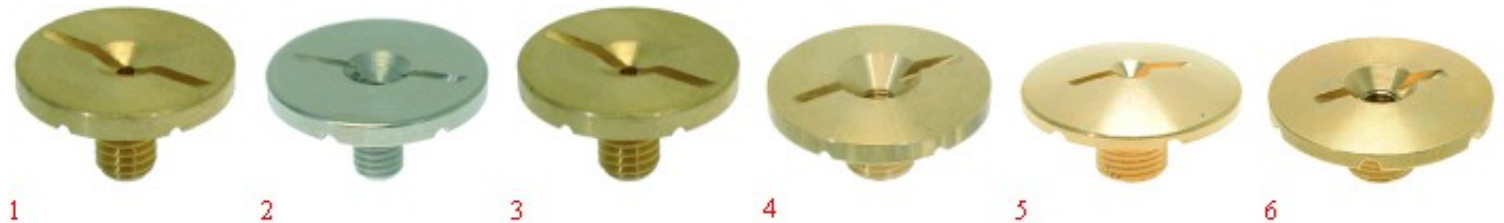


Photo	LF Code	Dimensions	Hole	Suitable for	For machine model
1	1501565	∅ 21 mm M5x1	---	FAEMA 4161133848	COMPACT - DUE - ELITE - ENOVA - EXPRESS - E61
1	1501565	∅ 21 mm M5x1	---	FUTURMAT 02476109	---
2	1510004	∅ 21 mm M5x1	---	CASADIO 457342000	DIECIA - DIECIS
2	1510004	∅ 21 mm M5x1	---	CIMBALI 457-342-000	M27 2008
2	1510004	∅ 21 mm M5x1	---	FAEMA 457342000	DUESMART - EMBLEMA - ENOVA - E61 - SMARTRESTY
3	1501560	∅ 21 mm M6x1	---	VIBIEMME RACCSPGRKO	EVOLUTION - KOMETA - LOLLO - MINIMAX - SILVER
4	1501007	∅ 30 mm M10x1	M5	MCE 27105000	START
4	1501007	∅ 30 mm M10x1	M5	ORCHESTRALE D27105000	ETNICA - PHONICA
4	1501007	∅ 30 mm M10x1	M5	WEGA WY27105000	AIRY - ATLAS - COLOSSEUM - COMBI NOVA - ESPRESSA - START
5	1501561	∅ 30 mm M10x1	---	BEZZERA 7479941	GALATEA - GALATEA DOMUS - GIULIA - UNICA
5	1501561	∅ 30 mm M10x1	---	BFC 0520070	CLASSICA - DELUX - GALILEO - IMOLA - JUNIOR - LA VITTORIA
5	1501561	∅ 30 mm M10x1	---	BIANCHI 43051216	LUCIA - SARA - SOFIA
5	1501561	∅ 30 mm M10x1	---	BRASILIA 04089.0.00.04	GRADISCA
5	1501561	∅ 30 mm M10x1	---	ECM C229901128	GIOTTO - LAURA - VENEZIANO
5	1501561	∅ 30 mm M10x1	---	ECM MANUFACTURE C229901128	CLASSIKA II - ELEKTRONIKA II PROFI - ELEKTRONIKA II PROFI
5	1501561	∅ 30 mm M10x1	---	EXPOBAR CTAV1-11	EB61 - OFFICE
5	1501561	∅ 30 mm M10x1	---	FAEMA	E61
5	1501561	∅ 30 mm M10x1	---	FIAMMA RST 5.0.025.0009	ATLANTIC - MARINA - PRESTIGE
5	1501561	∅ 30 mm M10x1	---	FIORENZATO C.S A2200170	BRICOLETTA - COLOMBINA - DUCALE - FENICE - LIDO - VOLANTE
5	1501561	∅ 30 mm M10x1	---	FUTURMAT 02012904	ARIETE - CUSTOM - F3 - RIMINI
5	1501561	∅ 30 mm M10x1	---	GAGGIA SPAGNA 02012904	BELLA - G6 - KB
5	1501561	∅ 30 mm M10x1	---	GRIMAC 1201300006-GR762	ECLISSE - MIA - TEN - TWENTY - ZOLA I - ZOLA II
5	1501561	∅ 30 mm M10x1	---	ITALCREM 02012904	IT4
5	1501561	∅ 30 mm M10x1	---	MAIRALI 02012904	ARIANNE
5	1501561	∅ 30 mm M10x1	---	PAVONI	BART
5	1501561	∅ 30 mm M10x1	---	PROMAC 80230080	COMPACT - GREEN
5	1501561	∅ 30 mm M10x1	---	RENEKA AT7479941	AMICI - ATALANTE
5	1501561	∅ 30 mm M10x1	---	ROYAL 0520070	DIADEMA - SYNCHRO

Photo	LF Code	Dimensions	Hole	Suitable for	For machine model
5	1501561	∅ 30 mm M10x1	---	SAB TM-SPR8F400	ELLIPSE - E96 - MODERNA
5	1501561	∅ 30 mm M10x1	---	SANREMO 10052141	AMALFI - CAPRI - MILANO LX - PISA - TORINO - TREVISO
5	1501561	∅ 30 mm M10x1	---	SCALA C-0318	BUTTERFLY - CARMEN - EROICA
5	1501561	∅ 30 mm M10x1	---	VFA	ELITE - MAGESTIC - SPLENDOR
5	1501561	∅ 30 mm M10x1	---	VIBIEMME RACCSPGR	CHIMAERA - DOMOBAR - DOSAPLUS - MERCURY - REPLICA
5	1501561	∅ 30 mm M10x1	---	VISACREM 02012904	BRAVA - V6
5	1501561	∅ 30 mm M10x1	---	WEGA WY27105	AIRY - ATLAS - ATLAS10 - NOVA - NOVECENTO - ORION ECO - P
6	1501568	∅ 30 mm M10x1	M5	PAVONI 314098	P UNO - P TRE
6	1501014	∅ 30 mm M9.6x1	M5	BRUGNETTI/AURORA 000183	ALEXIA - C

CONTROL BOXES RENEKA



Photo	LF Code	For machines with no. of groups	Power	Suitable for	For machine model
1	1054581	1-2-3	230V	RENEKA 9003679	LC - VIVAE - VIVAS
2	1054583	4	230V	RENEKA 9002818	PLUSPRESTIGE - XLBASIC
3	1054029	3	230V	RENEKA 9003675	VIVA - XLBASIC - XLPALLAS

DRAIN TANKS RENEKA



Photo	LF Code	Notes	Suitable for	For machine model
1	1527031	205x65 mm - ∅ 3/8"	RENEKA 9004004	PLUS - PRESTIGE - XLPALLAS
2	1022021	∅ 3/8"	RENEKA 9003994	LC - VIVA
3	1022020	∅ 3/8"	RENEKA 9202501	MOSAIC - VIVAS

EPDM FLAT GASKETS



LF Code	Dimensions	Suitable for	Notes
1186427	∅ 10x4x2 mm	RANCILIO	FOR BREW GROUPS - PER GRUPPI EROGAZIONE
1186758	∅ 10x4.5x4 mm	MARCFI-ANCAS	FOR INLET TAPS - PER RUBINETTI CARICO
1186342	∅ 11x3x4 mm	CIMBALI - FAEMA	FOR STEAM/WATER TAPS - PER RUBINETTI VAPORE/ACQUA
1186454	∅ 11x3.6x2 mm	PROMAC - RANCILIO	FOR INLET TAPS - PER RUBINETTI CARICO
1186423	∅ 11x4x4 mm	BRASILIA	FOR INLET TAPS - PER RUBINETTI CARICO
1186703	∅ 11x7x7 mm	CIMBALI	FOR BREW GROUPS M15- PER GRUPPI EROGAZIONE M15



LF Code	Dimensions	Suitable for	Notes
1186083	∅ 12x3x4 mm	RENEKA	FOR STEAM/WATER TAPS - PER RUBINETTI VAPORE/ACQUA
1786263	∅ 12.5x8x9 mm	ASTORIA/CMA - WEGA	FOR STEAM/WATER TAPS - PER RUBINETTI VAPORE/ACQUA
1186588	∅ 13x3x4 mm	AZKOYEN	FOR STEAM/WATER TAPS - PER RUBINETTI VAPORE/ACQUA
1186161	∅ 13x4x4 mm	BRASILIA - CONTI - RENEKA	FOR STEAM/WATER TAPS - PER RUBINETTI VAPORE/ACQUA
1186935	∅ 13x4x4 mm	ELEKTRA	FOR STEAM/WATER TAPS - PER RUBINETTI VAPORE/ACQUA
1186935	∅ 13x4x4 mm	GRIMAC	FOR BREW GROUPS - PER GRUPPI EROGAZIONE
1186150	∅ 13x7.4x7 mm	SAN MARCO	FOR INLET TAPS - PER RUBINETTI CARICO
1186111	∅ 14x4x4 mm	BEZZERA	FOR STEAM/WATER TAPS - PER RUBINETTI VAPORE/ACQUA
1186111	∅ 14x4x4 mm	SAN MARCO	FOR BREW GROUPS - PER GRUPPI EROGAZIONE
1186302	∅ 14x4x5 mm	CARIMALI	FOR STEAM/WATER TAPS - PER RUBINETTI VAPORE/ACQUA
1186316	∅ 15x4x4 mm 60SH	ASTORIA/CMA - WEGA	FOR STEAM/WATER TAPS - PER RUBINETTI VAPORE/ACQUA
1186527	∅ 15x4x4 mm 80SH	ASTORIA/CMA - WEGA	FOR STEAM/WATER TAPS - PER RUBINETTI VAPORE/ACQUA
1186515	∅ 15x5.5x3.5 mm	SPAZIALE	FOR STEAM/WATER TAPS - PER RUBINETTI VAPORE/ACQUA
1186369	∅ 15x5.5x4 mm	FUTURMAT	FOR BREW GROUPS - PER GRUPPI EROGAZIONE
1186369	∅ 15x5.5x4 mm	SAN MARCO	FOR STEAM/WATER TAPS - PER RUBINETTI VAPORE/ACQUA
1186985	∅ 15x6x6 mm	GAGGIA	FOR STEAM/WATER TAPS - PER RUBINETTI VAPORE/ACQUA
1186985	∅ 15x6x6 mm	PAVONI	FOR STEAM/WATER TAPS - PER RUBINETTI VAPORE/ACQUA
1186300	∅ 15x7.3x4 mm	CIMBALI	FOR STEAM/WATER TAPS - PER RUBINETTI VAPORE/ACQUA
1186300	∅ 15x7.3x4 mm	GRIMAC	FOR STEAM/WATER TAPS - PER RUBINETTI VAPORE/ACQUA
1186057	∅ 15.3x7.7x4 mm	BRASILIA	FOR STEAM/WATER TAPS - PER RUBINETTI VAPORE/ACQUA
1186312	∅ 15.5x7.5x4 mm	MANY BRANDS - MOLTI MARCHI	SEVERAL APPLICATIONS - MOLTE APPLICAZIONI
1186233	∅ 16x4x5 mm	UNIC	FOR STEAM/WATER TAPS - PER RUBINETTI VAPORE/ACQUA
1186282	∅ 16.5x6x4 mm	SAN MARCO	FOR BREW GROUPS - PER GRUPPI EROGAZIONE
1186170	∅ 18x4x4 mm	CARIMALI	FOR STEAM/WATER TAPS - PER RUBINETTI VAPORE/ACQUA
3449039	∅ 18x11x2 mm	---	FOR INLET HOSES ∅ 1/2" - PER TUBI CARICO ∅ 1/2"
1186102	∅ 19x3.5x4 mm	BEZZERA	FOR STEAM/WATER TAPS - PER RUBINETTI VAPORE/ACQUA
1186958	∅ 20.5x15x2 mm	CIMBALI	FOR STEAM/WATER TAPS - PER RUBINETTI VAPORE/ACQUA
1186066	∅ 21x15x3 mm	BRASILIA	FOR STEAM/WATER TAPS - PER RUBINETTI VAPORE/ACQUA
1186410	∅ 21x16x2 mm	RANCILIO	FOR BREW GROUPS - PER GRUPPI EROGAZIONE
1186410	∅ 21x16x2 mm	RENEKA	FOR STEAM/WATER TAPS - PER RUBINETTI VAPORE/ACQUA
1786222	∅ 22x18x1.5 mm	CIMBALI	FOR BOOSTER PUMPS - PER POMPE VOLUMETRICHE
3449026	∅ 24x12x2 mm	---	FOR INLET HOSES ∅ 3/4" - PER TUBI CARICO ∅ 3/4"
1786231	∅ 24x15x3 mm	GAGGIA	FOR INLET TAPS - PER RUBINETTI CARICO
1786231	∅ 24x15x3 mm	PAVONI	FOR STEAM/WATER TAPS - PER RUBINETTI VAPORE/ACQUA
1786315	∅ 51.3x43x5 mm	ISOMAC	FOR BREW GROUPS - PER GRUPPI EROGAZIONE

EXPANSION AND NON-RETURN VALVES "UNIVERSAL"



Photo	LF Code	Dimensions
1	1523036	∅ 1/8"M-1/8"F
2	1523700	∅ 1/8"M-1/8"M
3	3349281	∅ 3/8"F-3/8"F
4	3349283	∅ 3/4"F-3/4"F
5	1523072	∅ 3/8"M

EXPANSION AND NON-RETURN VALVES RENEKA



Photo	LF Code	Dimensions	Suitable for	For machine model
1	1523700	∅ 1/8"M-1/8"M	RENEKA 9008339	CONCEPT - PLUS - PRESTIGE - VIVA - XL
2	1523034	∅ 1/8"M-1/8"M	RENEKA 9008340	LC - VIVAE - VIVAS
3	1523028	∅ 1/8"M-1/8"M	RENEKA 9008336	LC - XLPALLAS

FILTER HOLDER GASKETS RENEKA



Photo	LF Code	Dimensions (mm)	Notes	Suitable for	For machine model
1	1186726	∅ 74x56x9	---	RENEKA 9003203	BASIC - CONCEPT - LC - LIFE - PLUS - PRESTIGE - VIVA - VI
2	1786062	∅ 72x56x8	INT. CUTS - SPACCHI INT.	RENEKA 9101145	MOSAIC - OEM
1	1186722	∅ 73x57x8	---	RENEKA AT5493039	AMICI - ATALANTE

FILTER HOLDER KNOBS RENEKA



Photo	LF Code	Connection	Suitable for
1	1242020	M10	RENEKA 9004927



FILTER HOLDER RENEKA



Photo	LF Code	Wings	Knob	Spouts	Filter	Spring	Suitable for	For machine model
1	1165061	6.3 mm	M12	3/8	NO	NO	RENEKA AT7479930	ATALANTE - AMICI
2	1165064	6.3 mm	M12	3/8	NO	NO	RENEKA 9215312	MOSAIC
3	1165048	9.5 mm	M10	3/8	NO	NO	RENEKA 9004934	LC - VIVA - VIVAS - XLPALLAS

FILTER LOCKING SPRING

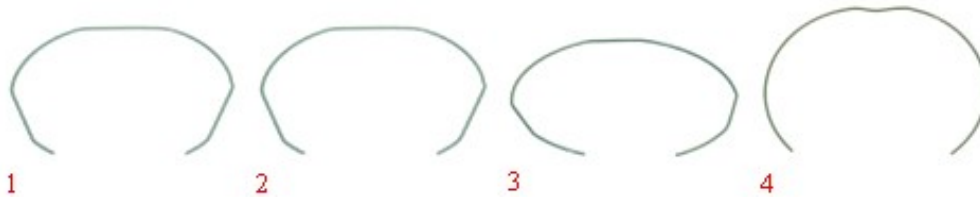
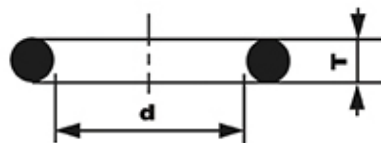


Photo	LF Code	wire ø (mm)	Suitable for
1	1250101	1.00	ALL BRANDS - TUTTI I MARCHI
1	1250002	1.20	ALL BRANDS - TUTTI I MARCHI
1	1250333	1.30	ALL BRANDS - TUTTI I MARCHI
1	1250338	1.40	ALL BRANDS - TUTTI I MARCHI
2	1250279	1.40	ASTORIA/CMA P4Y - WEGA CONCEPT 52
3	5033397	1.00	PAVONI EUROPICCOLA
4	1250018	1.00	ELEKTRA MICROCASA

GASKETS "OR" R1-R2-R3....R10..

1.90 - 2.20
2.70 - 3.60 mm



Dimensions (mm) T x d	Model (new cross-references)	Model (old cross-references)	LF Code (EPDM)	LF Code (VITON)	LF Code (SILICONE)
1.90 x 2.40	OR R0		1786108		
1.90 x 3.40	OR R2		2104557		
1.90 x 4.20	OR R3		1186996	1786316	
1.90 x 4.90	OR R4		1786286		
1.90 x 5.70	OR R5		1186854	1786310	1186610
1.90 x 7.20	OR R6		1186556	1186791	
2.70 x 12.10	OR R10		1786297		
3.60 x 23.00	OR R18		1786157		

GASKETS FOR GROUP ADJUSTABLE TO SEVERAL BRANDS

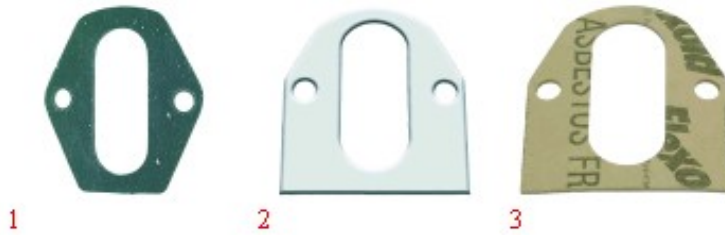


Photo	LF Code	Features	Suitable for	For machine model
1	1186502	79x71x2 mm - CARBO	MANY BRANDS - MOLTI MARCHI	FOR MODEL E61 GROUPS - PER GRUPPI TIPO E61
2	1186508	77x73x2 mm - PTFE	MANY BRANDS - MOLTI MARCHI	FOR MODEL E61 GROUPS - PER GRUPPI TIPO E61
3	1186384	80x70x2 mm - PAPER	MANY BRANDS - MOLTI MARCHI	FOR MODEL E61 GROUPS - PER GRUPPI TIPO E61

GASKETS FOR GROUP RENEKA



Photo	LF Code	Features	Suitable for	For machine model
1	1486025	∅ 45x39x3 mm - EPDM	RENEKA 9001842	CONCEPT - LC - PLUS - PRESTIGE - VIVA - VIVAE - VIVAS

GASKETS ORM



Model	Notes	LF Code	Suitable for
0060-10	SILICON RED	1186550	ASTORIA/CMA 12300013
0250-40	NBR BLACK	1186772	ASTORIA/CMA 12300027
0170-30	NBR BLACK	1186773	ASTORIA/CMA 12336000
0050-15	EPDM BLACK	1786219	ASTORIA/CMA 12662000
0040-20	SILICON RED	1786257	BIANCHI 43113416-01
0140-20	NBR BLACK	1186484	BRASILIA 18514.0.00.02
0160-20	EPDM BLACK	1186165	BRASILIA 18682.0.00.02
0059-12	EPDM BLACK	5034069	CARIMALI 87.00169
0160-20	EPDM BLACK	1186165	CARIMALI 95.05027
0057-19	VITON GREEN	1186966	CASADIO 402198000
0057-19	VITON GREEN	1186966	CIMBALI 402-198-000
0089-27	VITON GREEN	1186968	CIMBALI 402-197-000
0680-20	EPDM BLACK	1186381	CONTI 173100
0040-20	EPDM BLACK	1186252	CONTI 403457
0120-20	VITON GREEN	1186157	CONTI 409631
0060-10	EPDM BLACK	1786071	CONTI 410838



RENEKA



Model	Notes	LF Code	Suitable for
0248-18	SILICON BLACK	1786269	DELONGHI 5313214431
0045-20	SILICON BLACK	1786265	DELONGHI 5313217691
0038-20	SILICON BLACK	1786264	DELONGHI 5313217701
0060-20	SILICON RED	1186867	DELONGHI 5332144800
0350-41	SILICON RED	1486015	DELONGHI 5332149100
0060-36	SILICON BLACK	1486016	DELONGHI 5332173500
0060-10	EPDM BLACK	1786071	EXPOBAR 50010090
0057-19	VITON GREEN	1186966	FAEMA 402198000
0089-27	VITON GREEN	1186968	FAEMA 402197000
0780-30	EPDM BLACK	1186507	FAEMA 4701026909
0040-20	EPDM BLACK	1186252	FAEMA 4701030708
0060-18	EPDM BLACK	1786302	FIAMMA RST 5.0.002.0122
0017-20	EPDM BLACK	1786295	FIAMMA RST 5.0.016.0225
0060-12	EPDM BLACK	1186713	FIAMMA RST 5.0.016.0323
0058-20	VITON BLACK	1786304	FRACINO FC222SG
0040-20	EPDM BLACK	1186252	FUTURMAT 03070802
0060-30	SILICON BLACK	5008675	GAGGIA 140324362
0080-20	VITON BLACK	1186687	GRIMAC 1110800040-GR756
0050-20	VITON BLACK	1186778	MARZOCCO H.1.005
0059-12	EPDM BLACK	5034069	NUOVA SIMONELLI 02280036
0160-20	EPDM BLACK	1186165	NUOVA SIMONELLI 02280037
0102-25	PTFE	1786260	NUOVA SIMONELLI 02600004
0080-20	EPDM BLACK	1786149	PAVONI 0ENM02004
0500-40	SILICON RED	1186453	RANCILIO 36404113
0072-15	EPDM BLACK	1786063	RENEKA 9001884
0170-20	EPDM BLACK	1786064	RENEKA 9005075
0030-15	EPDM BLACK	1186855	SAECO 12000414
0080-20	SILICON RED	1186852	SAECO 140320459
0080-20	TERMOIL BLACK	1786111	SAECO 140320461
0090-20	SILICON RED	1186647	SAECO 140320762
0060-30	SILICON BLACK	5008675	SAECO 140324362
0060-20	SILICON RED	1186867	SAECO 140324459
0080-15	EPDM BLACK	1186675	SAECO 140324961
0040-20	EPDM BLACK	1186252	SAECO 140326661
0380-40	SILICON RED	1186856	SAECO 140329262
0320-40	SILICON RED	1186862	SAECO NM01.044
0050-20	SILICON RED	1186648	SAECO NM01.057
0080-20	EPDM BLACK	1786149	SAECO NM02.004
0055-15	EPDM BLACK	1786150	SAECO NM02.017
0090-25	EPDM BLACK	1786074	SAECO NM02.018
0040-20	EPDM BLACK	1186252	SPAZIALE 04649
0160-20	EPDM BLACK	1186712	SPAZIALE 08289
0060-12	EPDM BLACK	1186713	SPAZIALE 08354
0060-10	SILICON RED	1186550	SPINEL SR.000.060.042
0017-20	EPDM BLACK	1786295	VIBIEMME GUARORVALESPE
0060-10	SILICON RED	1186550	WEGA WY12300013
0250-40	NBR BLACK	1186772	WEGA WY12300027

HANDLES RENEKA



Photo	LF Code	Notes	Suitable for	For machine model
1	1241111	STEAM - VAPORE	RENEKA 9004469	LC - VIVA - XLPALLAS
2	1241112	WATER - ACQUA	RENEKA 9004468	LC - VIVA - XLPALLAS
3	1241145	STEAM/WATER - VAPORE/ACQUA	RENEKA 9208030	VIVAE - VIVAS
4	1241140	STEAM/WATER - VAPORE/ACQUA	RENEKA 9208032	VIVAE - VIVAS
5	1241196	STEAM/WATER - VAPORE/ACQUA	RENEKA AT7371509	AMICI - ATALANTE

HEATING ELEMENTS RENEKA

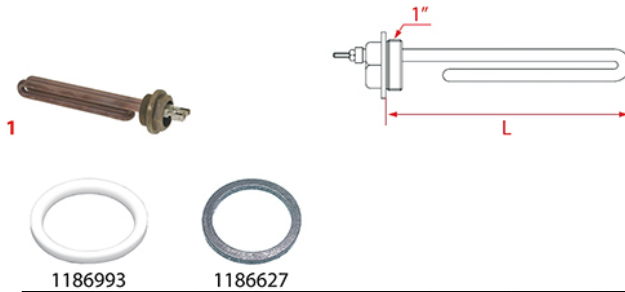


Photo	LF Code	Watt - Volt	L (mm)	Groups	Suitable for	For machine model
1	1755623	1250/1450W 220/240V	160	1	RENEKA 5722240	AMICI

HEATING ELEMENTS RENEKA

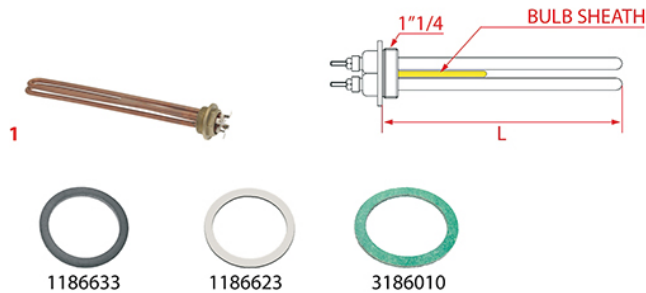


Photo	LF Code	Watt - Volt	L (mm)	Groups	Bulb sheath	Suitable for	For machine model
1	1755214	3100W 230V	325	2	YES	RENEKA 9215366	MOSAIC



HEATING ELEMENTS RENEKA

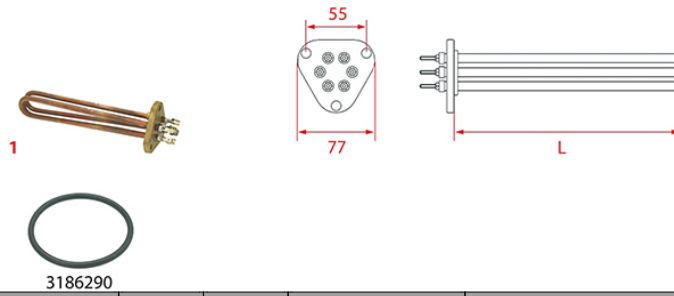


Photo	LF Code	Watt - Volt	L (mm)	Groups	Suitable for	For machine model
1	1455025	2100W 220V	175	1	RENEKA 9005365	LC - VIVA - VIVAE - VIVAS - XL - XLPALLAS
1	1755017	3100W 230V	220	2	RENEKA 9005366	LC - VIVA - VIVAE - VIVAS
1	1455027	3800W 220V	330	2	RENEKA 9005367	PLUS - PRESTIGE - VIVA - VIVAE - VIVAS - XL - XLPALLAS
1	1455024	4000W 230V	550	3	RENEKA 9505354	LC - PLUS - PRESTIGE - VIVA - VIVAE - VIVAS - XL

INDICATOR LIGHTS RENEKA



1

Photo	LF Code	Volt	ø head - ø hole - °C	Suitable for	For machine model
1	1221106	220V	---	RENEKA 9003754	PLUS - PRESTIGE - TEMPO - VIVAE - VIVA - XLBASIC

LEVEL GLASS BALLS



1

2

3

Photo	LF Code	Dimensions (mm)	Suitable for
1	1323006	ø 7	ALL BRANDS - TUTTE LE MARCHE
2	1323001	ø 5.8	ALL BRANDS - TUTTE LE MARCHE
3	1323007	ø 9,5	ALL BRANDS - TUTTE LE MARCHE

LEVEL GLASS GASKETS



Photo	LF Code	Dimensions (mm)	Suitable for
1	1186173	∅ 16.5x10x12.5	MARCFI-ANCAS
1	1186221	∅ 19x11.5x10	CARIMALI - CONTI - NUOVA SIMONELLI
2	1186270	∅ 18x11x4	CONTI
2	1186227	∅ 21x11.5x5	BRUGNETTI/AURORA - FAEMA - FUTURMAT
2	1186251	∅ 18x12x3	RANCILIO
2	1186360	∅ 18x12x2	CIMBALI
3	1401002	∅ 14.5x10x7	BEZZERA
4	1186206	∅ 16x10x8	ASTORIA/CMA - BFC - GRIMAC - NUOVA SIMONELLI - ROYAL
5	1186375	∅ 15x9x8	ELEKTRA
5	1186469	∅ 15x9x5	GAGGIA - PAVONI
6	1186498	∅ 14.5x11x2	EXPOBAR
6	1186256	∅ 31x19x3	SAN MARCO
6	1186266	∅ 26x12x7	UNIC

LEVEL PROBES RENEKA



Photo	LF Code	Notes	Suitable for	For machine model
1	1341020	92 mm	RENEKA 9010490	LC - MOSAIC - VIVA - VIVAE - VIVAS - XLPALLAS
2	1341021	150 mm	RENEKA 9010491	LC - MOSAIC - PLUS - PRESTIGE - VIVA - VIVAE - VIVAS

LIP GASKETS RENEKA



1

Photo	LF Code	Dimensions (mm)	Suitable for	For machine model
1	1186084	∅ 16x6x5	RENEKA 9003629	CONCEPT - PILOT - PLUS - PRESTIGE - SINGLE - VIVA - XL



MOTORS RENEKA



1

Photo	LF Code	Model	Suitable for	For machine model
1	1240707	C0137.80 - 120W 230V 50/60Hz	RENEKA 9007902	LC - VIVA - VIVAS

NBR FLAT GASKETS



1



2

Photo	LF Code	Dimensions	Suitable for	Notes
1	1186474	∅ 12x7x5 mm	GAGGIA	FOR STEAM/WATER TAPS - PER RUBINETTI VAPORE/ACQUA
1	1186474	∅ 12x7x5 mm	PAVONI	FOR STEAM/WATER TAPS - PER RUBINETTI VAPORE/ACQUA
2	1186311	∅ 13x4x4 mm	MANY BRANDS - MOLTI MARCHI	SEVERAL APPLICATIONS - MOLTE APPLICAZIONI

NOZZLES RENEKA



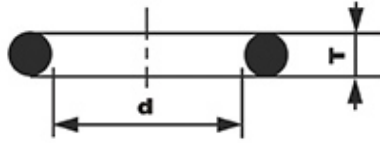
1

Photo	LF Code	Notes	Suitable for	For machine model
1	1501522	M6x1 - ∅ 0.75 mm	RENEKA AT7479955	ATALANTE - AMICI



O-RING GASKETS THICKNESS 2.62 mm

2.62 mm



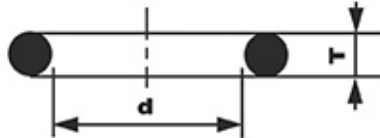
Dimensions (mm) T x d	Model (new cross-references)	Model (old cross-references)	LF Code	LF Code	LF Code	LF Code	LF Code
			(EPDM)	(VITON) STANDARD	(SILICONE) RED	(VITON) MIX COLOR	(SILICONE) MIX COLOR
2.62 x 6.02	OR 03024		3786668		1786137		
2.62 x 7.59	OR 03030		1186358	1786155	1786280	1786197	
2.62 x 9.13	OR 0109	OR 0109	1186255	5029740	1186910		3186608
2.62 x 9.19	OR 03037	OR 0111	3186340	1786202			
2.62 x 9.92	OR 0112	OR 0112	1186304		1786049	1186879	1186914
2.62 x 10.78	OR 03043	OR 0113	1186318		3786719	1186236	
2.62 x 11.91	OR 0115	OR 0115	1186805	1186709	1186745		
2.62 x 12.37	OR 03050	OR 0116	3060608	3090132	1186458		
2.62 x 13.10	OR 0117	OR 0117	3243086		1186085		1786234
2.62 x 13.95	OR 03056	OR 0118	3186860		1186762		
2.62 x 15.08	OR 0119	OR 0119	1186414	1186714	3523062		
2.62 x 15.88	OR 0121	OR 0121	3186434	1186246			
2.62 x 17.13	OR 03068	OR 0122	3186181	1786276	1186850		
2.62 x 17.86	OR 0123	OR 0123	3186287		1186000		1199001
2.62 x 18.72	OR 03075	OR 0124	1186356		5059295		
2.62 x 20.24	OR 03081	OR 0127	1186327	5039864	1186026		1186053
2.62 x 20.63	OR 0128	OR 0128	3186183	1186591		1786300	
2.62 x 21.89	OR 03087		1786233		1186796		
2.62 x 22.22	OR 0130	OR 0130	3186253		1186292		
2.62 x 23.47	OR 03093		1186922				
2.62 x 23.81	OR 0132	OR 0132	1186438				
2.62 x 25.07	OR 03100		1186833				
2.62 x 26.65	OR 03106		1186759			5045475	1786243
2.62 x 28.25	OR 03112		3186247	5037072			7104228
2.62 x 29.82	OR 03118		3186458				
2.62 x 31.42	OR 03125		3186244			1186930	
2.62 x 32.99	OR 03131		3186847	5029479	1186920		
2.62 x 34.60	OR 03137		3243250	1186767			
2.62 x 36.14	OR 03143		5027619				
2.62 x 39.34	OR 03156		3786183	1186184			
2.62 x 40.95	OR 03162		3243389				
2.62 x 42.52	OR 03168		3160040	1186705			
2.62 x 45.69	OR 03181		1186466				
2.62 x 47.30	OR 03187		3160044		1786313		
2.62 x 48.89	OR 03193		1186672	5055114			
2.62 x 50.47	OR 03200		3186245	5034849		1186948	
2.62 x 53.65	OR 03212		3060038		1186847		
2.62 x 58.42	OR 03231		3186455		1199075		
2.62 x 60.00	OR 03237		3243166				
2.62 x 61.60	OR 03243		3122252				
2.62 x 63.17	OR 03250		3186315				
2.62 x 64.77	OR 03256		1786203	1786153			
2.62 x 67.95	OR 03268		3186248				
2.62 x 71.12	OR 03281		1186625		1186405		
2.62 x 72.69	OR 03287		1186152				



Dimensions (mm) T x d	Model (new cross-references)	Model (old cross-references)	LF Code (EPDM)	LF Code (VITON) STANDARD	LF Code (SILICONE) RED	LF Code (VITON) MIX COLOR	LF Code (SILICONE) MIX COLOR
2.62 x 75.87	OR 03300		1186237	1186779			
2.62 x 78.94			3786579				
2.62 x 88.57	OR 03350		5015751		1786124		
2.62 x 94.92	OR 03375		1186605				
2.62 x 215.57	OR 03850		3786202				

O-RING GASKETS THICKNESS 3.53 mm

3.53 mm



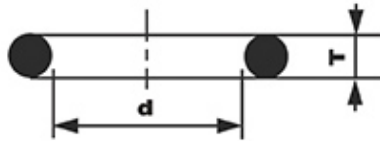
Dimensions (mm) T x d	Model (new cross-references)	Model (old cross-references)	LF Code (EPDM)	LF Code (VITON) STANDARD	LF Code (SILICONE) RED	LF Code (VITON) MIX COLOR	LF Code (SILICONE) MIX COLOR
3.53 x 9.12	OR 04036		6456047	2102713			
3.53 x 15.47	OR 04061		1186019		3786053		
3.53 x 17.04	OR 04067		3786519				
3.53 x 18.64	OR 04075	OR 0125	1186472	1186766	3186610		
3.53 x 20.22	OR 04081	OR 0126	1186238	2111463	1186009		
3.53 x 21.82	OR 04087	OR 0129	1186630	4059475			
3.53 x 23.40	OR 04093	OR 0131	3186143	5028161	1786050		
3.53 x 26.58	OR 04106	OR 0135	1186231		1786119		
3.53 x 28.17	OR 04112	OR 0136	1186480	3786008	1786018		1186869
3.53 x 29.75	OR 04118	OR 0137	3243142	1786167	1186874	1186790	1786199
3.53 x 31.34	OR 04125	OR 0138	1186506		1186010		
3.53 x 32.93	OR 04131	OR 0139	1186655	3186580	1786210	1786098	
3.53 x 34.52	OR 04137	OR 0140	3061040		1186990	1186403	1186963
3.53 x 36.10	OR 04143	OR 0141	3186338		1786118		
3.53 x 37.69	OR 04150	OR 0142	3186197	5034986	1186905		1786168
3.53 x 39.69	OR 0144	OR 0144	3186606		1786099		1186947
3.53 x 40.86	OR 04162		3067198	40C6450	5039021		
3.53 x 41.28	OR 0146	OR 0146	3186238	1186798			
3.53 x 42.86	OR 0147	OR 0147	3186184	1786117	1786140		
3.53 x 44.04	OR 04175		3186175	1786152			
3.53 x 46.04	OR 0150	OR 0150	3786181				
3.53 x 47.22	OR 04187		3186290	1186190			
3.53 x 47.63	OR 0152	OR 0152	1186087			1186931	
3.53 x 49.21	OR 0153	OR 0153	3786454	5005318	1786116		
3.53 x 50.39	OR 04200		3186601	3786459	4006406		
3.53 x 50.80	OR 0155	OR 0155	3316031		1186503	1786311	
3.53 x 53.57	OR 04212		1186643			5501390	
3.53 x 55.56	OR 0159	OR 0159	3186697	1186715			
3.53 x 56.74	OR 04225		1186799				
3.53 x 57.15	OR 0161	OR 0161	1186198	1786292			
3.53 x 58.74	OR 0162	OR 0162	1186199	1786287			
3.53 x 59.92	OR 04237		3316110				
3.53 x 60.33	OR 0164	OR 0164	1186230	1786011			
3.53 x 63.09	OR 04250		1186022				
3.53 x 63.50	OR 0167	OR 0167	3186454		1786298		
3.53 x 65.09	OR 0168	OR 0168	1186645				
3.53 x 68.26	OR 0171	OR 0171	1186763				
3.53 x 69.44	OR 04275		5022973		1786209		



Dimensions (mm) T x d	Model (new cross-references)	Model (old cross-references)	LF Code (EPDM)	LF Code (VITON) STANDARD	LF Code (SILICONE) RED	LF Code (VITON) MIX COLOR	LF Code (SILICONE) MIX COLOR
3.53 x 71.44	OR 0174	OR 0174	3243160				
3.53 x 73.03	OR 0176	OR 0176	1186641		1186858	1786254	
3.53 x 75.80	OR 04300		1186748		1786110		
3.53 x 78.97	OR 04312		3186271	1186698	1786268		
3.53 x 82.14	OR 04325		1186693				
3.53 x 85.32	OR 04337		1186519				
3.53 x 88.50	OR 04350		1186873				1786261
3.53 x 91.67	OR 04362		3061007				
3.53 x 94.84	OR 04375		3061011				
3.53 x 98.02	OR 04387		3186137				
3.53 x 101.20	OR 04400		3160607	5501389	1786129		
3.53 x 107.50	OR 04425		3186235			1786214	
3.53 x 110.70	OR 04437		3061016				
3.53 x 113.90	OR 04450		3186456				
3.53 x 120.20	OR 04475		3186466		1186806		
3.53 x 132.90	OR 04525		1186941				
3.53 x 136.10	OR 04537		1186708				
3.53 x 148.80	OR 04587		3122552				
3.53 x 158.30	OR 04625		3122255				
3.53 x 164.70	OR 04650		3122344				
3.53 x 183.70	OR 04725		3061037				

O-RING GASKETS THICKNESS 5.34 mm

5.34 mm



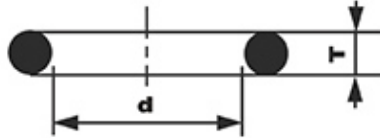
Dimensions (mm) T x d	Model (new cross-references)	Model (old cross-references)	LF Code (EPDM)	LF Code (VITON) STANDARD	LF Code (SILICONE) RED	LF Code (VITON) MIX COLOR	LF Code (SILICONE) MIX COLOR
5.34 x 34.29	OR 06135		1186220				
5.34 x 37.47	OR 06150	OR 0143	3186001			5018795	
5.34 x 40.65	OR 06162	OR 0145	5026454	1786272			
5.34 x 43.82	OR 06175	OR 0148	3186339		5039034		
5.34 x 47.00	OR 06187	OR 0151	3186013	5060790	3186313		
5.34 x 50.16	OR 06200	OR 0154	3186333		1786275		
5.34 x 53.34	OR 06212	OR 0157	1186673	3186241	1786273		5023642
5.34 x 56.52	OR 06225	OR 0160	3186014				3186314
5.34 x 59.69	OR 06237	OR 0163	1186932		5038239		
5.34 x 62.87	OR 06250	OR 0166	3186331				
5.34 x 66.04	OR 06262	OR 0169	1186505				
5.34 x 69.22	OR 06275	OR 0172	3160061				
5.34 x 72.39	OR 06287	OR 0175	3786685				
5.34 x 74.63	OR 0178	OR 0178	3186015		1786009		
5.34 x 75.57	OR 06300	OR 0179	5039882	1186456			
5.34 x 78.74	OR 06312	OR 0180	3010048				
5.34 x 79.77	OR 0181	OR 0181	5006335				
5.34 x 81.92	OR 06325	OR 0182	3243088				
5.34 x 85.09	OR 06337	OR 0183	3186335		1786246		
5.34 x 94.62	OR 06375	OR 0187	1786002				
5.34 x 100.00	OR 0189	OR 0189	1186749				
5.34 x 110.50	OR 06437	OR 0194	5010476				1186075



Dimensions (mm) T x d	Model (new cross-references)	Model (old cross-references)	LF Code (EPDM)	LF Code (VITON) STANDARD	LF Code (SILICONE) RED	LF Code (VITON) MIX COLOR	LF Code (SILICONE) MIX COLOR
5.34 x 120.70	OR 0201	OR 0201	3160615				
5.34 x 139.70	OR 0215	OR 0215	5052966				

O-RING GASKETS THICKNESS 7.00 mm

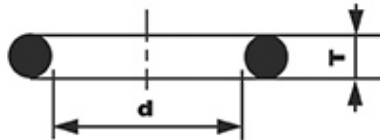
7.00 mm



Dimensions (mm) T x d	Model (new cross-references)	Model (old cross-references)	LF Code (EPDM)	LF Code (VITON) STANDARD	LF Code (SILICONE) RED	LF Code (VITON) MIX COLOR	LF Code (SILICONE) MIX COLOR
7.00 x 135.90	OR 08537	OR 0212	5050109				
7.00 x 142.20	OR 08562	OR 0216	2104555				
7.00 x 155.60	OR 0223	OR 0223	5006513				
7.00 x 183.52	OR 08725	OR 0234	5024838				
7.00 x 204.67	OR 08950	OR 0246	5026360		5029810		
7.00 x 266.07	OR 081050	OR 0250	5034088				
7.00 x 297.80	OR 081175	OR 0255	5032360				

O-RING THICKNESS 1.78 mm

1.78 mm



Dimensions (mm) T x d	Model (new cross-references)	Model (old cross-references)	LF Code (EPDM)	LF Code (VITON) STANDARD	LF Code (SILICONE) RED	LF Code (VITON) MIX COLOR	LF Code (SILICONE) MIX COLOR
1.78 x 1.78	OR 02007		2111723				
1.78 x 2.57	OR 02010		1186163	1186746			
1.78 x 2.90	OR 02012	OR 0101	1186365		1186846	1186842	
1.78 x 3.69	OR 02015	OR 0102	1186014	1186900	1786278	1786095	1186514
1.78 x 4.48	OR 02018	OR 0103	1186421	1186755	1186861		
1.78 x 5.28	OR 02021	OR 0104	1186362	1786088	1186903	1786144	5056235
1.78 x 6.07	OR 02025	OR 0105	3243139	1186612	1186611	1786143	1486013
1.78 x 6.75	OR 0106	OR 0106	3243009	1186435	1186864		
1.78 x 7.66	OR 02031	OR 0107	1186411	1186717	1186901	1786085	
1.78 x 8.73	OR 0108	OR 0108	1186422	1186707	1186902		
1.78 x 9.25	OR 02037	OR 0110	1186803	1186088	1786087	1786267	
1.78 x 10.82	OR 02043		1186346	1786303	5008673	1186950	
1.78 x 11.11	OR 0114	OR 0114	1186626	1186730	1186877		1786075
1.78 x 12.42	OR 02050		1186352		1186366		
1.78 x 14.00	OR 02056		1186223	1786154	1786061	5037375	
1.78 x 15.60	OR 02062		1186424	1786232	1786159	1786208	
1.78 x 17.17	OR 02068		3243069	1786271		1786165	
1.78 x 18.77	OR 02075		3186440			1186933	5008687
1.78 x 20.35	OR 02081		3243266				1186373



Dimensions (mm) T x d	Model (new cross-references)	Model (old cross-references)	LF Code	LF Code	LF Code	LF Code	LF Code
			(EPDM)	(VITON) STANDARD	(SILICONE) RED	(VITON) MIX COLOR	(SILICONE) MIX COLOR
1.78 x 21.95	OR 02087		3243382	1786277			
1.78 x 23.52	OR 02093		1186401				
1.78 x 25.12	OR 02100		3186169				
1.78 x 26.70	OR 02106		3186343		1186863		
1.78 x 28.30	OR 02112		3186754	1186631			
1.78 x 29.87	OR 02118		5010533				
1.78 x 31.47	OR 02125		3243191	1186919	1786139		
1.78 x 33.05	OR 02131		1186003		3186317		
1.78 x 34.65	OR 02137		3243189		5060454	1186929	
1.78 x 47.35	OR 02187		7102065		3186657		
1.78 x 50.52	OR 02200		1186956				
1.78 x 60.05	OR 02237		6456037				
1.78 x 72.75	OR 02287		5059891				
1.78 x 75.92	OR 02300		1186397				
1.78 x 82.27	OR 02325		6456074				
1.78 x 88.62	OR 02350		3186232				
1.78 x 94.97	OR 02375		3122121				
1.78 x 120.37	OR 02475		3122365				
1.78 x 133.07	OR 02525		3186239				

PINS RENEKA



1

Photo	LF Code	Dimensions	Suitable for	Notes	For machine model
1	1184551	---	RENEKA AT7479950	FOR BREW GROUPS - PER GRUPPI EROGAZIONE	ATALANTE - AMICI

PRECISION COFFEE FILTERS RENEKA



1

2

3

Photo	LF Code	Model	Suitable for	Notes
1	1460105	1 CUP - 6/9 gr - H24.5	RENEKA	---
2	1460106	2 CUPS - 12/18 gr - H24.5	RENEKA	---
3	1460107	2 CUPS - 16/22 gr - H26.5	RENEKA	---

Filtri progettati per ottenere la perfetta estrazione del caffè , acciaio Aisi 316 , certificati alimentare



PRESSURE GAUGES RENEKA



Photo	LF Code	Scale (bar)	Dimensions A - B - C (mm)	Suitable for	For machine model
1	1242009	0÷4	40 - 44 - 1/8	RENEKA 9004591	PLUS - PRESTIGE - VIVA
2	1242010	0÷16	40 - 44 - 1/8	RENEKA 9002812	PLUS - PRESTIGE - VIVA
3	1245206	0÷3	49 - 49 - 1/8	RENEKA 9004700	BASIC - SINGLE - XL - VIVA
4	1245207	0÷16	49 - 49 - 1/8	RENEKA 9004701	BASIC - VIVA
5	1242008	0÷2.5/0÷15	63 - 70 - 1/8	RENEKA 9004720	LC - MOSAIC - VIVAE - VIVAS

PRESSURE SWITCHES PARKER



1

Photo	LF Code	Model	Scale (bar)
1	1320541	PS325-1C - 3 POLES - 20A - 1/4"	0.5÷1.4

PRESSURE SWITCHES SIRAI



1

2

3

Photo	LF Code	Model	Scale (bar)
1	1320531	P302/6 - 3 POLES - 30A - 1/4"	0.5÷1.4
2	1320533	P302/6	---
3	1320800	P203T01 - 2 POLES - 20A - 1/4"	0.5÷1.4
3	1320801	P203T02 - 2 POLES - 20A - 1/4"	0.9÷1.7
3	1320802	P303T01 - 3 POLES - 20A - 1/4"	0.5÷1.4
3	1320803	P303T02 - 3 POLES - 20A - 1/4"	0.9÷1.7

PROTECTIVE RUBBERPIECES



Photo	LF Code	For pipe \varnothing (mm)	Suitable for
1	1186398	8	NUOVA SIMONELLI
1	5030025	10	NUOVA SIMONELLI - SANREMO
2	1187501	8	ALL BRANDS - TUTTE LE MARCHE
2	1186924	10	CASADIO - CIMBALI - FAEMA - FIAMMA
3	1186180	10	ALL BRANDS - TUTTE LE MARCHE
4	1549009	8	ASTORIA/CMA - MCE - WEGA
5	1549011	10	CIMBALI - FAEMA

PROTECTIVE RUBBERPIECES



Photo	LF Code	For pipe \varnothing (mm)	Suitable for
1	1186339	8	ALL BRANDS - TUTTE LE MARCHE
1	1186080	10	ALL BRANDS - TUTTE LE MARCHE
2	1549020	10	GAGGIA
3	1187001	10	SPAZIALE
4	1449172	8	ASTORIA/CMA - ELEKTRA - MARZOCCO - WEGA
5	1649001	10	FRACINO
6	1649002	8	CARIMALI

PTFE FLAT GASKETS



LF Code	Dimensions	Suitable for	Notes
5500622	\varnothing 6x1.8x2 mm	SAECO	FOR STEAM/WATER TAPS - PER RUBINETTI VAPORE/ACQUA
1186718	\varnothing 7x5x1 mm	SPAZIALE	FOR HIDRAULIC SYSTEM - PER IMPIANTO IDRAULICO
1186974	\varnothing 8.5x4.5x1.5 mm	CIMBALI - CASADIO	FOR MANOMETER - PER MANOMETRO
1786291	\varnothing 9.5x6x2 mm	VIBIEMME	FOR BREW GROUPS - PER GRUPPI EROGAZIONE
1186099	\varnothing 10x6x1 mm	BEZZERA - BIANCHI - BRASILIA	FOR BREW GROUPS - PER GRUPPI EROGAZIONE
1186099	\varnothing 10x6x1 mm	PAVONI - RENEKA	FOR BREW GROUPS - PER GRUPPI EROGAZIONE
1186434	\varnothing 10x7x0.5 mm	FAEMA	FOR BREW GROUPS - PER GRUPPI EROGAZIONE



RENEKA



LF Code	Dimensions	Suitable for	Notes
1186359	∅ 11.4x8x3 mm	CIMBALI	FOR INLET TAPS - PER RUBINETTI CARICO
1186809	∅ 12x9x1 mm	FIAMMA - RANCILIO	FOR BREW GROUPS - PER GRUPPI EROGAZIONE
1186121	∅ 12x10x0.5 mm	FAEMA	FOR STEAM/WATER TAPS - PER RUBINETTI VAPORE/ACQUA
1186065	∅ 12x10x1 mm	BRASILIA - FIORENZATO - VIBIEMME	FOR STEAM/WATER TAPS - PER RUBINETTI VAPORE/ACQUA
1186908	∅ 12x10x2 mm	SAECO	---
1186581	∅ 13x3x4 mm	AZKOYEN	---
1186661	∅ 13x15.5x1 mm	BRASILIA	FOR STEAM/WATER TAPS - PER RUBINETTI VAPORE/ACQUA
1186945	∅ 14x10x1.5 mm	CIMBALI	FOR BOOSTER PUMPS - PER POMPE VOLUMETRICHE
1186794	∅ 14.6x12x3 mm	PROMAC	FOR STEAM/WATER TAPS - PER RUBINETTI VAPORE/ACQUA
1186189	∅ 15x11x2 mm	ASTORIA/CMA	FOR BREW GROUPS - PER GRUPPI EROGAZIONE
3186273	∅ 16.5x12.5x1.5 mm	---	---
1186240	∅ 17x12x0.5 mm	FAEMA	FOR BREW GROUPS - PER GRUPPI EROGAZIONE
1186468	∅ 17x12x1.5 mm	PAVONI - GAGGIA	---
1186982	∅ 17x13x2 mm	GRIMAC	FOR BOILER SAFETY VALVES - PER VALVOLA BOILER
1186982	∅ 17x13x2 mm	PAVONI	FOR BREW GROUPS - PER GRUPPI EROGAZIONE
1186982	∅ 17x13x2 mm	VIBIEMME	FOR LEVEL CAPS - PER TAPPO LIVELLO
1186079	∅ 17x13x3 mm	BRASILIA	FOR BREW GROUPS - PER GRUPPI EROGAZIONE
1186119	∅ 17.3x12x2 mm	CONTI	FOR BREW GROUPS - PER GRUPPI EROGAZIONE
1186030	∅ 18x3.5x1 mm	EXPOBAR	FOR BREW GROUPS - PER GRUPPI EROGAZIONE
1186443	∅ 18x9x0.5 mm	RANCILIO - PROMAC	FOR STEAM/WATER TAPS - PER RUBINETTI VAPORE/ACQUA
1186404	∅ 18x13x2 mm	MANY BRANDS - MOLTI MARCHI	SEVERAL APPLICATIONS - MOLTE APPLICAZIONI
1786301	∅ 18x13.5x2 mm	FIAMMA	---
1786166	∅ 18x14x1.5 mm	CIMBALI - CASADIO	FOR BOILER SAFETY VALVES - PER VALVOLA BOILER
1786040	∅ 18.2x13x2.5 mm	EXPOBAR	---
1786251	∅ 19x14.5x2 mm	CARIMALI	FOR BREW GROUPS - PER GRUPPI EROGAZIONE
1786001	∅ 20x13x3 mm	---	---
1186959	∅ 20x15x1 mm	CIMBALI - FAEMA	---
1186594	∅ 20x17x2 mm	BRASILIA	FOR INLET TAPS - PER RUBINETTI CARICO
1186594	∅ 20x17x2 mm	ORCHESTRALE	FOR STEAM/WATER TAPS - PER RUBINETTI VAPORE/ACQUA
1186594	∅ 20x17x2 mm	SANREMO	FOR BREW GROUPS - PER GRUPPI EROGAZIONE
1186201	∅ 21x16.8x2 mm	MANY BRANDS - MOLTI MARCHI	SEVERAL APPLICATIONS - MOLTE APPLICAZIONI
3786036	∅ 22x9x1 mm	---	---
1186326	∅ 22x16x2 mm	MANY BRANDS - MOLTI MARCHI	SEVERAL APPLICATIONS - MOLTE APPLICAZIONI
1186957	∅ 22x17x1.5 mm	CIMBALI - CASADIO	FOR STEAM/WATER TAPS - PER RUBINETTI VAPORE/ACQUA
1186314	∅ 22x17x2 mm	MANY BRANDS - MOLTI MARCHI	SEVERAL APPLICATIONS - MOLTE APPLICAZIONI
3186609	∅ 24x13x1.5 mm	---	---
1186323	∅ 24x18x2 mm	MANY BRANDS - MOLTI MARCHI	SEVERAL APPLICATIONS - MOLTE APPLICAZIONI
1186731	∅ 24x19x2 mm	FIORENZATO - MARZOCCO - VIBIEMME	FOR STEAM/WATER TAPS - PER RUBINETTI VAPORE/ACQUA
1786250	∅ 24x20x1.5 mm	CARIMALI	FOR BREW GROUPS - PER GRUPPI EROGAZIONE
3186278	∅ 25x16.5x0.5 mm	---	---
1186969	∅ 25x21x1.5 mm	CIMBALI - CASADIO	FOR FILTER - PER FILTRO
1786283	∅ 25.5x21x5 mm	VIBIEMME	FOR BREW GROUPS - PER GRUPPI EROGAZIONE
3786502	∅ 25.7x21.2x5 mm	EXPOBAR	---
1186516	∅ 26x17x2 mm	SPAZIALE	FOR HEATING ELEMENTS - PER RESISTENZE
1186118	∅ 26x19x2 mm	FIORENZATO	FOR STEAM/WATER TAPS - PER RUBINETTI VAPORE/ACQUA
1186117	∅ 26x21x2 mm	MANY BRANDS - MOLTI MARCHI	SEVERAL APPLICATIONS - MOLTE APPLICAZIONI
1186537	∅ 26x22x2 mm	EXPOBAR	FOR BREW GROUPS - PER GRUPPI EROGAZIONE
1186537	∅ 26x22x2 mm	PAVONI	FOR BREW GROUPS - PER GRUPPI EROGAZIONE
1186127	∅ 27x20x0.5 mm	FAEMA	FOR INLET TAPS - PER RUBINETTI CARICO
1186248	∅ 27x20x1 mm	CASADIO	FOR BREW GROUPS - PER GRUPPI EROGAZIONE
1186248	∅ 27x20x1 mm	FAEMA	FOR STEAM/WATER TAPS - PER RUBINETTI VAPORE/ACQUA
1186290	∅ 27x21x2 mm	SAN MARCO	FOR BREW GROUPS - PER GRUPPI EROGAZIONE
1186281	∅ 28x23x2 mm	PAVONI	FOR STEAM/WATER TAPS - PER RUBINETTI VAPORE/ACQUA
1186281	∅ 28x23x2 mm	SAN MARCO	FOR BREW GROUPS - PER GRUPPI EROGAZIONE
1186770	∅ 33x28x4 mm	ASTORIA/CMA	FOR BREW GROUPS - PER GRUPPI EROGAZIONE
1186361	∅ 34x27x2 mm	SAN MARCO	FOR BREW GROUPS - PER GRUPPI EROGAZIONE
3186665	∅ 35x21x2 mm	---	---
1186328	∅ 35x30x2 mm	MANY BRANDS - MOLTI MARCHI	SEVERAL APPLICATIONS - MOLTE APPLICAZIONI
1186307	∅ 36x30x2 mm	MANY BRANDS - MOLTI MARCHI	SEVERAL APPLICATIONS - MOLTE APPLICAZIONI
3786512	∅ 40x34x3 mm	CONTI	---



LF Code	Dimensions	Suitable for	Notes
1186993	∅ 42x33x3 mm	BEZZERA	FOR HEATING ELEMENTS - PER RESISTENZE
1186243	∅ 42x34x0.5 mm	FAEMA	FOR BREW GROUPS - PER GRUPPI EROGAZIONE
1186608	∅ 50x40x2 mm	ASTORIA/CMA - SAN MARCO - SPAZIALE	FOR HEATING ELEMENTS - PER RESISTENZE
1186994	∅ 50x40x5.5 mm	SAN MARCO	FOR BREW GROUPS - PER GRUPPI EROGAZIONE
1186800	∅ 50x44x4 mm	FIorenzato - VIBIEMME	FOR BREW GROUPS - PER GRUPPI EROGAZIONE
1186979	∅ 52x40x2 mm	EXPOBAR	FOR HEATING ELEMENTS - PER RESISTENZE
1186979	∅ 52x40x2 mm	QUICK MILL	FOR HEATING ELEMENTS - PER RESISTENZE
1186623	∅ 53x43x3 mm	MANY BRANDS - MOLTI MARCHI	FOR HEATING ELEMENTS - PER RESISTENZE
3743110	∅ 57x41x2 mm	---	---
1186179	∅ 57x43x3 mm	MANY BRANDS - MOLTI MARCHI	FOR HEATING ELEMENTS - PER RESISTENZE
1186194	∅ 58x43x2 mm	ASTORIA/CMA - ORCHESTRALE	FOR HEATING ELEMENTS - PER RESISTENZE
1186609	∅ 58x51x2 mm	CIMBALI	FOR HEATING ELEMENTS - PER RESISTENZE
1186639	∅ 62x51x2 mm	SPAZIALE	FOR HEATING ELEMENTS - PER RESISTENZE
1186455	∅ 65x47x1.5 mm	RANCILIO - PROMAC	FOR HEATING ELEMENTS - PER RESISTENZE
1186409	∅ 68x55x3 mm	NUOVA SIMONELLI	FOR HEATING ELEMENTS - PER RESISTENZE
1186188	∅ 72x61x2 mm	ASTORIA/CMA	FOR HEAT EXCHANGES - PER SCAMBIATORE
1186297	∅ 73x61x3 mm	---	---
1186155	∅ 76x68.4x3 mm	CONTI	FOR HEATING ELEMENTS - PER RESISTENZE
1786213	∅ 85x70x2 mm	---	---

RELAYS RENEKA



1

Photo	LF Code	Features	Suitable for	For machine model
1	3351032	66.82 30A 250V	RENEKA 9006578	LC - MOSAIC - PLUS - PRESTIGE - VIVA - VIVAE - VIVAS - XL

ROTARY VANE PUMPS PROCON



1



2



3



4



5

Photo	LF Code	Flow rate (l/h)	Connections (∅)	Suitable for
1	1330012	200	3/8" NPT	ALL BRANDS - TUTTE LE MARCHE
1	1330024	100	3/8" NPT	PAVONI
1	1330019	100	3/8" NPT	CIMBALI - FAEMA - SPAZIALE
2	1330016	200	3/8" NPT	ALL BRANDS - TUTTE LE MARCHE
3	1330033	180	3/8"	CASADIO - CIMBALI - FAEMA
4	1330011	200	3/8" NPT	FAEMA
5	1330017	150	3/8"	CASADIO - CIMBALI - FAEMA



ROTARY VANE PUMPS ROTOFLOW



Photo	LF Code	Flow rate (l/h)	Connections (ø)	Suitable for
1	1330021	50	3/8"	ALL BRANDS - TUTTE LE MARCHE
1	1330034	70	3/8"	ALL BRANDS - TUTTE LE MARCHE
1	1330008	150	3/8"	ALL BRANDS - TUTTE LE MARCHE
1	1330026	200	3/8"	ALL BRANDS - TUTTE LE MARCHE
1	1330001	100	3/8" NPT	ALL BRANDS - TUTTE LE MARCHE
1	1330029	150	3/8" NPT	ALL BRANDS - TUTTE LE MARCHE
1	1330002	200	3/8" NPT	ALL BRANDS - TUTTE LE MARCHE
1	1330101	100	3/8" NPT ECO BRASS	ALL BRANDS - TUTTE LE MARCHE
1	1330102	200	3/8" NPT ECO BRASS	ALL BRANDS - TUTTE LE MARCHE
1	1330030	200	3/8"	RANCILIO 10705960
2	1330025	70	3/8"	ALL BRANDS - TUTTE LE MARCHE
2	1330004	100	3/8" NPT	ALL BRANDS - TUTTE LE MARCHE
3	1330022	50	3/8"	ALL BRANDS - TUTTE LE MARCHE
3	1330005	100	3/8"	ALL BRANDS - TUTTE LE MARCHE
3	1330122	50	3/8" ECO BRASS	ALL BRANDS - TUTTE LE MARCHE
4	1330031	150	3/8"	CASADIO - CIMBALI - FAEMA
5	1330003	200	3/8" NPT	FAEMA - GRIMAC
6	1330006	200	3/8"	UNIC

SHAPED GASKETS



Photo	LF Code	Dimensions	Suitable for	Notes
1	1486012	ø 18x8x9 mm	DELONGHI 5313235921	FOT WATER CONTAINER - PER CONTENITORE ACQUA
2	1486014	ø 24x17x10 mm	DELONGHI 5332108700	FOT WATER CONTAINER - PER CONTENITORE ACQUA
3	1186215	ø 15x10x2.5 mm	CARIMALI 88.00001.00.19	FOR STEAM/WATER TAPS - PER RUBINETTI VAPORE/ACQUA
4	1186082	ø 50x36x2 mm	RENEKA 9001720	FOR HEAT EXCHANGES - PER SCAMBIATORE
5	1186135	---	SAN MARCO 109040	FOR BREW GROUPS - PER GRUPPI EROGAZIONE
6	1786252	ø 16x8x2 mm	CARIMALI 95.05084	FOR BREW GROUPS - PER GRUPPI EROGAZIONE

SHOWER HOLDER SPRAYERS RENEKA



1

Photo	LF Code	Dimensions (external-height-hole)	Suitable for	For machine model
1	1086506	∅ 40 mm - H 4.5 mm - ∅ 6.5 mm	RENEKA 9003471	LC - PLUS - VIVA - VIVAE - VIVAS - XLBASIC

SHOWER SCREENS RENEKA



1



2



3



4



5



6

Photo	LF Code	Dimensions	Suitable for	For machine model
1	1081006	∅ 51.5 mm	RENEKA 9003470	BASIC - CONCEPT - LC - LIFE - MOSAIC - OEM - PILOT - PLUS
2	1081007	∅ 51.5 mm	RENEKA 9003470	BASIC - CONCEPT - LC - LIFE - MOSAIC - OEM - PILOT - PLUS
3	1081016	∅ 60.0 mm	RENEKA AT5471022	AMICI - ATALANTE
4	1081116	∅ 60.0 mm	RENEKA AT5471022	AMICI - ATALANTE
5	1081216	∅ 60.0 mm	RENEKA AT5471022	AMICI - ATALANTE
6	1081516	∅ 60.0 mm	RENEKA AT5471022	AMICI - ATALANTE

SPACERS



1



2



3

Photo	LF Code	Dimensions (mm)	Material
1	1190101	∅ 64x53x0.7	PAPER/CARTA
1	1190021	∅ 66x58x0.8	PAPER/CARTA
1	1190006	∅ 69x57x0.8	PAPER/CARTA
1	1190005	∅ 70x57x0.5	PAPER/CARTA
1	1190051	∅ 70x57x0.8	PAPER/CARTA
1	1190011	∅ 72x58x0.8	PAPER/CARTA
1	1190001	∅ 73x59x0.8	PAPER/CARTA
2	1190007	∅ 64x53x1.0	EPDM
2	1190003	∅ 70x57x1.0	EPDM
2	1190002	∅ 73x59x1.0	EPDM
3	1190004	∅ 71x58x0.6	VITON



SPECIFIC SPOUTS - VARIOUS BRANDS



Photo	LF Code	Connection (\varnothing)
1	1022032	3/8
2	1022059	3/8
3	1022505	3/8
4	1022550	3/8
5	1022099	3/8

SPRINGS RENEKA



Photo	LF Code	Dimensions	Notes	Suitable for	For machine model
1	1250415	\varnothing 10x32 mm	FOR STEAM/WATER TAPS - PER RUBINETTI VAPORE/ACQUA	RENEKA 9007705	PLUS - PRESTIGE
2	1250011	\varnothing 14.6x21 mm	FOR BREW GROUPS - PER GRUPPI EROGAZIONE	RENEKA	ATALANTE - AMICI
3	1250515	\varnothing 14x33 mm	FOR BREW GROUPS - PER GRUPPI EROGAZIONE	RENEKA AT7479944	ATALANTE - AMICI
4	1250537	\varnothing 14x45 mm	FOR BREW GROUPS - PER GRUPPI EROGAZIONE	RENEKA AT7479936	ATALANTE - AMICI

STEAM-WATER PIPES RENEKA



Photo	LF Code	Notes	Suitable for	For machine model
1	1449395	---	RENEKA 9008193	CONCEPT - PILOT - PLUS - PRESTIGE - SINGLE - VIVA - VIVAE
2	1449140	---	RENEKA 9003697	CONCEPT - PILOT - VIVA - VIVAE - VIVAS - XL
3	1449396	---	RENEKA 9003699	PLUS - PRESTIGE - VIVAE - VIVAS
4	1449018	---	RENEKA 9001890	CONCEPT - PILOT - VIVA - VIVAE - VIVAS - XL
5	1449317	---	RENEKA 9001890	CONCEPT - PILOT - VIVA - VIVAE - VIVAS - XL

STEAM-WATER TAPS RENEKA



Photo	LF Code	Suitable for	For machine model
1	1348102	RENEKA 9217713	MOSAIC
2	1348221	RENEKA 9007702	LC - PALLAS - PLUS - PRESTIGE - VIVA - XL
3	1359012	RENEKA 9208020	VIVAE - VIVAS
4	1528089	RENEKA 9208022	VIVAE - VIVAS

SWITCHES RENEKA



Photo	LF Code	Notes	Suitable for	For machine model
1	1319331	SWITCH - INTERRUTTORE / 10A 690V	RENEKA 9209042	VIVAS
2	1319111	---	RENEKA 9006806	VIVA - LC
3	1319305	---	RENEKA 9209045	VIVAE
4	1319132	---	RENEKA 9003548	LC
5	1319302	---	RENEKA 9006778	VIVA - LC
6	1319299	---	RENEKA 9509036	VIVAS

UNIVERSAL CONTACT THERMOSTATS



Photo	LF Code	Temperature °C
1	1443017	85
1	1444506	90
1	1443010	93
1	1444003	95
1	1443005	98
1	1443011	100
1	1443072	104
1	1443400	107
1	1443071	110
1	3443081	125
1	1443401	135



RENEKA



Photo	LF Code	Temperature °C
1	1443004	145
2	1443070	135
2	1444206	145
2	1443002	165
3	1443079	95
3	3443026	110
3	5027936	125
3	1443066	130
3	1444521	155
3	1443034	200
4	5027937	170
4	1443012	180
5	1443055	125
5	5035435	140
5	1443063	143
6	1443030	---

UNIVERSAL FILTER HOLDER KNOBS



Photo	LF Code	Connection	Suitable for
1	1241505	M10	ALL BRANDS - TUTTE LE MARCHE
1	1241504	M12	ALL BRANDS - TUTTE LE MARCHE
2	1241269	M10	ALL BRANDS - TUTTE LE MARCHE
2	1241169	M12	ALL BRANDS - TUTTE LE MARCHE
3	1241502	M10	ALL BRANDS - TUTTE LE MARCHE
3	1241501	M12	ALL BRANDS - TUTTE LE MARCHE

UNIVERSAL FILTER HOLDER KNOBS



Photo	LF Code	Connection	Suitable for
1	5051751	M10	ALL BRANDS - TUTTE LE MARCHE
1	5051102	M12	ALL BRANDS - TUTTE LE MARCHE
2	5054506	M10	ALL BRANDS - TUTTE LE MARCHE
2	5054505	M12	ALL BRANDS - TUTTE LE MARCHE



UNIVERSAL FILTER HOLDER KNOBS



Photo	LF Code	Connection	Suitable for
1	1141006	M10	ALL BRANDS - TUTTE LE MARCHE
1	1141007	M12	ALL BRANDS - TUTTE LE MARCHE
2	1141004	M10	ALL BRANDS - TUTTE LE MARCHE
2	1141003	M12	ALL BRANDS - TUTTE LE MARCHE

VARIOUS CAPPUCINATORE



Photo	LF Code	Suitable for
1	1079016	BIANCHI - SAN MARCO
2	1079030	ASTORIA/CMA - MCE - ORCHESTRALE
3	1079023	ASTORIA/CMA - CARIMALI - NUOVA SIMONELLI - WEGA
4	1079009	SAECO
5	1079010	SAECO
6	5501292	PAVONI

VENT VALVES



Photo	LF Code	Technical notes	Suitable for
1	1523537	∅ 1/4" M VITON	ALL BRANDS - TUTTE LE MARCHE
2	1523534	∅ 1/4" M PTFE AND VITON	ALL BRANDS - TUTTE LE MARCHE
3	1523538	∅ 1/4" M	ALL BRANDS - TUTTE LE MARCHE



VOLUMETRIC FLOWMETERS GICAR



Photo	LF Code	Model	Suitable for	For machine model
1	1455067	9.0.55.02G / ø 1/4"FF / ø 1.15 mm	ASTORIA/CMA 18126	ARGENTA - BRAVA - DIVINA - DORA - GLORIA - GLORIA R12
1	1455067	9.0.55.02G / ø 1/4"FF / ø 1.15 mm	BEZZERA 7431001	B2000 - B2006 - B2009 COMPACT - B2013 - B3000 - B4000
1	1455067	9.0.55.02G / ø 1/4"FF / ø 1.15 mm	BFC 5032012	CLASSICA - DELUX - GALILEO - GRANDOGE - IMOLA - JUNIOR
1	1455067	9.0.55.02G / ø 1/4"FF / ø 1.15 mm	BRUGNETTI-AURORA 95.01205	---
1	1455005	9.0.78.02G / ø 1/4"FF / ø 1.15 mm	CONTI 403466V	SK2
1	1455067	9.0.55.02G / ø 1/4"FF / ø 1.15 mm	EXPOBAR 60100045	ELEN - EXPRESSO - G10 - MARKUS - MARKUS SILVER
1	1455067	9.0.55.02G / ø 1/4"FF / ø 1.15 mm	FIorenzato CS A1500026	BRICOLETTA - DUCALE - FENICE - LIDO - VENEZIA
1	1455067	9.0.55.02G / ø 1/4"FF / ø 1.15 mm	FUTURMAT 08307500	ARIETE - F3 - RIMINI
1	1455060	9.0.93.02G / ø 1/4"FF / ø 1.15 mm	GAGGIA 11013052	DECO - GD - GE - XD - XE
1	1455067	9.0.55.02G / ø 1/4"FF / ø 1.15 mm	GRIMAC 1160900001-GR102	MIA - NEW CIALDA VAPOR - SELENITE DOUBLE - TWENTY
1	1455067	9.0.55.02G / ø 1/4"FF / ø 1.15 mm	MCE 18126	START
1	1455067	9.0.55.02G / ø 1/4"FF / ø 1.15 mm	NUOVA SIMONELLI 04900027	APPIA - APPIA COMPACT - AURELIA - AURELIATI - MACDIGIT
1	1455067	9.0.55.02G / ø 1/4"FF / ø 1.15 mm	ORCHESTRALE D18126	ETNICA - PHONICA
1	1455067	9.0.55.02G / ø 1/4"FF / ø 1.15 mm	RENEKA 9008954	LC - LIFE - PRESTIGE - VIVA
1	1455067	9.0.55.02G / ø 1/4"FF / ø 1.15 mm	ROYAL 5032012	DIADEMA - SYNCHRO
1	1455060	9.0.93.02G / ø 1/4"FF / ø 1.15 mm	SAECO 11013052	AROMA
1	1455067	9.0.55.02G / ø 1/4"FF / ø 1.15 mm	SAN MARCO 108192	NEW 105 - 100 - 105 - 85 - 95
1	1455067	9.0.55.02G / ø 1/4"FF / ø 1.15 mm	SANREMO 10112131A	MILANO LX
1	1455067	9.0.55.02G / ø 1/4"FF / ø 1.15 mm	SCALA C-0215	BUTTERFLY - CARMEN - EROICA
1	1455067	9.0.55.02G / ø 1/4"FF / ø 1.15 mm	VIBIEMME ELETCONTVOLOT	CHIMAERA - CUBO - DOMOBARSUPER - DOSAPLUS - EVOLUTION
1	1455067	9.0.55.02G / ø 1/4"FF / ø 1.15 mm	VICTORIA ARDUINO 04900027	ADONIS - VENUS CENTURY
1	1455067	9.0.55.02G / ø 1/4"FF / ø 1.15 mm	WEGA WY18126	ATLAS - ATLAS 10 - COLOSSEUM - COMBI NOVA - CONCEPT
2	1455068	9.0.55.50G / ø 1/8"FF / ø 1.15 mm	BRASILIA 16054.2.00.08	ROMA
2	1455068	9.0.55.50G / ø 1/8"FF / ø 1.15 mm	CIMBALI 534-391-020	M20 - M21 JUNIOR - M22 - M27 - M27 START - M28 - M29
2	1455068	9.0.55.50G / ø 1/8"FF / ø 1.15 mm	FAEMA 534391020	E98 COMPACT
2	1455068	9.0.55.50G / ø 1/8"FF / ø 1.15 mm	FIAMMA RST 5.0.000.1012	ATLANTIC - MARINA - PRESTIGE
2	1455068	9.0.55.50G / ø 1/8"FF / ø 1.15 mm	PAVONI 438020	---
2	1455068	9.0.55.50G / ø 1/8"FF / ø 1.15 mm	SANREMO 10112290	AMALFI - CAPRI - PISA - TORINO - VERONA - ZOE
3	1455026	9.0.54.05G / ø 1/4"FF / ø 1.15 mm	FRACINO FC92	BAMBINO
3	1455026	9.0.54.05G / ø 1/4"FF / ø 1.15 mm	MARZOCCO LAD070	FB70 - FB80 - GB5 - GS3 - LINEA - MISTRAL
3	1455352	9.0.78.00G / ø 1/4"FF / ø 1.15 mm	PROMAC 34070050	CLUB - COMPACT - GREEN
3	1455352	9.0.78.00G / ø 1/4"FF / ø 1.15 mm	RANCILIO 34070050	CLASSE10 - CLASSE9 - EPOCA
4	1455001	9.0.69.03G / ø 1/4"FF / ø 1.15 mm	SPAZIALE 02498	NEW - RAPID - S1 - S2 - S3 - S40 - S5 - S8



VOLUMETRIC FLOWMETERS GICAR ACCESSORIES



Photo	LF Code	Model	Notes
1	3455333	9.0.16.50G	LED
2	5052706	9.0.15.51G	NO LED
3	1455032	6.9.23.05G	---
4	1186631	---	---
5	1455033	8.6.17.14	---

WASHERS UNI ISO



LF Code	Dimensions	Suitable for	Notes
3528238	∅ 9x4x0.8 mm UNI 6592	GAGGIA S401004	FOR BREW GROUPS - PER GRUPPI EROGAZIONE
3528238	∅ 9x4x0.8 mm UNI 6592	GRIMAC GR356	G105 - G106
3528238	∅ 9x4x0.8 mm UNI 6592	PAVONI 401004	EUROPICCOLA - PROFESSIONAL - ROMANTICA - STRADIVARI
1528117	∅ 12x4x1 mm UNI 6593	GRIMAC 1300900128	SEVERAL APPLICATIONS - MOLTE APPLICAZIONI
1186192	∅ 10x5x1 mm UNI 6592	SPAZIALE 00246	FOR BREW GROUPS - PER GRUPPI EROGAZIONE
1186315	∅ 15x5x1.2 mm UNI 6593	CIMBALI 590-733-000	FOR LEVEL - PER LIVELLO
3528010	∅ 12x6x1.6 mm UNI 6592	FAEMA 4054043102	FOR BREW GROUPS - PER GRUPPI EROGAZIONE
3528010	∅ 12x6x1.6 mm UNI 6592	GRIMAC 1110400003-GR723	FOR BREW GROUPS - PER GRUPPI EROGAZIONE
3528010	∅ 12x6x1.6 mm UNI 6592	PAVONI 401061	FOR BREW GROUPS - PER GRUPPI EROGAZIONE
3528010	∅ 12x6x1.6 mm UNI 6592	SPAZIALE 01746	FOR BREW GROUPS - PER GRUPPI EROGAZIONE
1528008	∅ 16x8x1.6 mm UNI 6592	BRASILIA 01290.0.00.03	FOR BREW GROUPS - PER GRUPPI EROGAZIONE
1528008	∅ 16x8x1.6 mm UNI 6592	ELEKTRA 01816035	FOR BREW GROUPS - PER GRUPPI EROGAZIONE
1528008	∅ 16x8x1.6 mm UNI 6592	GAGGIA WGAUN6592-8Z	FOR BREW GROUPS - PER GRUPPI EROGAZIONE
1528008	∅ 16x8x1.6 mm UNI 6592	PAVONI 401065	FOR BREW GROUPS - PER GRUPPI EROGAZIONE
1528008	∅ 16x8x1.6 mm UNI 6592	SPAZIALE 00416	FOR BREW GROUPS - PER GRUPPI EROGAZIONE
1528008	∅ 16x8x1.6 mm UNI 6592	VIBIEMME VITERONGR8MA	FOR BREW GROUPS - PER GRUPPI EROGAZIONE
1528008	∅ 16x8x1.6 mm UNI 6592	RENEKA 9001335	FOR STEAM/WATER TAPS - PER RUBINETTI VAPORE/ACQUA
1528008	∅ 16x8x1.6 mm UNI 6592	VIBIEMME RACCROPIRU	FOR STEAM/WATER TAPS - PER RUBINETTI VAPORE/ACQUA
1528020	∅ 18x8x1.3 mm UNI 6593	PROMAC 32239044	FOR STEAM/WATER TAPS - PER RUBINETTI VAPORE/ACQUA
1528020	∅ 18x8x1.3 mm UNI 6593	RANCILIO 32239044	FOR STEAM/WATER TAPS - PER RUBINETTI VAPORE/ACQUA
1186504	∅ 20x10.6x2 mm UNI 6592	FAEMA 4041135933	FOR BREW GROUPS - PER GRUPPI EROGAZIONE
1186504	∅ 20x10.6x2 mm UNI 6592	PROMAC 39520008	FOR BREW GROUPS - PER GRUPPI EROGAZIONE
1186504	∅ 20x10.6x2 mm UNI 6592	RANCILIO 39520008	FOR BREW GROUPS - PER GRUPPI EROGAZIONE
3528211	∅ 28x15x2.5 mm UNI 6592	PAVONI 401075	FOR STEAM/WATER TAPS - PER RUBINETTI VAPORE/ACQUA



WASHERS VARIOUS



LF Code	Dimensions	Suitable for	Notes
1528054	∅ 12x5x1 mm	ASTORIA/CMA 23260014	FOR BREW GROUPS - PER GRUPPI EROGAZIONE
1528059	∅ 18x6.5x1.5 mm	BFC 0540030	FOR STEAM/WATER TAPS - PER RUBINETTI VAPORE/ACQUA
1186036	∅ 21.5x6.5x2 mm	BIANCHI 18004971	FOR STEAM/WATER TAPS - PER RUBINETTI VAPORE/ACQUA
1528059	∅ 18x6.5x1.5 mm	CARIMALI 93.00058	FOR STEAM/WATER TAPS - PER RUBINETTI VAPORE/ACQUA
1186299	∅ 22x16x1 mm	CASADIO 590715000	FOR STEAM/WATER TAPS - PER RUBINETTI VAPORE/ACQUA
1186299	∅ 22x16x1 mm	CIMBALI 590-715-000	FOR STEAM/WATER TAPS - PER RUBINETTI VAPORE/ACQUA
1186036	∅ 21.5x6.5x2 mm	EXPOBAR 25012521	FOR STEAM/WATER TAPS - PER RUBINETTI VAPORE/ACQUA
1186299	∅ 22x16x1 mm	FAEMA 590715000	FOR STEAM/WATER TAPS - PER RUBINETTI VAPORE/ACQUA
1186399	∅ 30x17x3 mm	GAGGIA WGAUN6592-17Z	FOR LEVEL - PER LIVELLO
1186299	∅ 22x16x1 mm	GRIMAC 1300900055-G207	FOR STEAM/WATER TAPS - PER RUBINETTI VAPORE/ACQUA
1528059	∅ 18x6.5x1.5 mm	MARZOCCO L165/9	FOR STEAM/WATER TAPS - PER RUBINETTI VAPORE/ACQUA
1186036	∅ 21.5x6.5x2 mm	MARZOCCO L165/9B	FOR STEAM/WATER TAPS - PER RUBINETTI VAPORE/ACQUA
1186399	∅ 30x17x3 mm	NUOVA SIMONELLI 00200011	FOR STEAM/WATER TAPS - PER RUBINETTI VAPORE/ACQUA
1186399	∅ 30x17x3 mm	SAECO WGAUN6592-17Z	FOR LEVEL - PER LIVELLO
1186142	∅ 23x15x0.5 mm	SAN MARCO 205584	FOR STEAM/WATER TAPS - PER RUBINETTI VAPORE/ACQUA
1528059	∅ 18x6.5x1.5 mm	SANREMO 10402040	FOR STEAM/WATER TAPS - PER RUBINETTI VAPORE/ACQUA
1186416	∅ 15x11x2 mm	SPAZIALE 00523	FOR STEAM/WATER TAPS - PER RUBINETTI VAPORE/ACQUA
1528141	∅ 22x6.5x5 mm	VIBIEMME RACCROBLMAEVO	FOR STEAM/WATER TAPS - PER RUBINETTI VAPORE/ACQUA
1528054	∅ 12x5x1 mm	WEGA WY23260014	FOR BREW GROUPS - PER GRUPPI EROGAZIONE

WATER FILTERS



Photo	LF Code	Dimensions	Suitable for
1	1160017	∅ 8x1.5 mm	SPAZIALE 02284
1	1160511	∅ 9x1.5 mm	CIMBALI 481-361-000
1	1160023	∅ 11x2 mm	SAN MARCO 202232
1	1160068	∅ 18 mm	CASADIO 490055000 - CIMBALI 490-055-000
2	1160400	∅ 11 mm	ASTORIA/CMA 10254 - WEGA WY10254
3	1160501	∅ 14x10x12 mm	ASTORIA/CMA 10252 - BEZZERA 5471002
3	1160501	∅ 14x10x12 mm	BRASILIA 00086.0.00.04 - PAVONI 330051
4	1160021	∅ 18x20 mm	ELEKTRA 00111035
5	1160801	M8x1	RANCILIO 10705003
6	1160012	∅ 11 mm	RANCILIO 10706070

WATER FILTERS



Photo	LF Code	Dimensions	Suitable for
1	1160523	∅ 5.9 mm	CARIMALI 14.00795
1	1160311	∅ 7 mm	BIANCHI 43144416 - FUTURMAT 07362205
2	1160536	∅ 7 mm	SPAZIALE 00275
1	1160566	∅ 8 mm	ASTORIA/CMA 10251001 - WEGA WY10251001
1	1160566	∅ 8 mm	NUOVA SIMONELLI 98004001
1	1160011	∅ 9 mm	BRASILIA 09756.0.00.04 - CIMBALI 4771-116-081
1	1160516	∅ 11 mm	ASTORIA/CMA 10251002 - FUTURMAT 02435808
3	1160519	∅ 14 mm	PAVONI 326202
4	1160346	∅ 14 mm	CONTI 327154
5	1160087	∅ 15 mm	SANREMO 10052139A

WATER FILTERS



Photo	LF Code	Dimensions	Suitable for
1	1160507	∅ 8.5x15 mm	FUTURMAT 08298700
2	1160517	∅ 8.5x22 mm	GROUP E61
3	1160074	∅ 8.5x25 mm	CIMBALI 533-100-400
4	1160338	∅ 8x13 mm	CONTI 403458



Suitable for:

RENEKA



Suitable for:

Clamps

1168011 STAINLESS STEEL CLAMP FOR FLANGE PUMP




















RENEKA

The data herewith contained may change without notice and LF SpA cannot be held responsible for possible errors stated or resulting by the use of this document. All rights reserved. No part of this publication may be reproduced without written permission by LF SpA.



Distributing Components, Spare Parts & Accessories
in original quality worldwide

-
-  **LF SpA HEADQUARTERS**
via Voltri, 80 - 47522 Cesena (FC) ITALY
Tel. +39 0547 34 11 11 - Fax +39 0547 34 11 10
www.lfcomb724.it - www.lfcomb724.mobi - info@lfcomb.it
Export Dept.: Tel. +39 0547 34 11 50 - Fax: +39 0547 34 11 55
www.lfspareparts724.com - www.lfspareparts724.mobi
export@lfspareparts.com
 -  **OOO LF RUSSIAN FEDERATION**
Ul. Anatoliya Zhivova, 8 - office 1 - 123100 Moscow
Tel. +7 499 259 85 75
Fax +7 495 725 26 53
www.lfspareparts724.ru
www.lfspareparts724.mobi
info@lfspareparts.ru
 -  **EPGC Sas FRANCE**
13, Rue des Forts - 59960 Neuville en Ferrain
Tel. +33 (0)3 20 25 06 21
Fax +33 (0)3 20 25 34 12
www.epgc.com
www.epgc724.mobi
epgc@epgc.com
 -  **LF Repuestos Horeca S.L.U. SPAIN**
Calle Ciudad Real, 10 - 45517 Escalonilla - Toledo
Tel. +34 91 477 91 00
Fax +34 91 477 90 81
www.lfrepuestos-horeca724.es
www.lfrepuestos724.mobi
info@lfrepuestos.es
 -  **LF GmbH GERMANY**
Junkersstrasse, 1 - D-82178 Puchheim - München
Tel. +49 89 89 45 78 66
Fax +49 89 89 45 78 88
www.lfersatzteile724.de
www.lfersatzteile724.mobi
info@lfersatzteile.de
 -  **LF SpA Cesena (IT) Swiss Branch Steinhausen SWITZERLAND**
Sennweidstrasse, 45 - CH-6312 Steinhausen
Tel. +41 (0)41 760 15 80-1
Fax +41 (0)41 760 15 85
www.lfersatzteile724.ch
www.lfersatzteile724.mobi
info@lfersatzteile.ch
 -  **LF China REPUBLIC OF CHINA**
Room 403, No.2, Huadu Mansion, Lane 422, Huanghua Rd.
Minhang Dist. - 201103 Shanghai
Tel. +86 (0)21 33 53 66 31
Fax +86 (0)21 33 53 66 32
www.lfspareparts724.com
www.lfspareparts724.mobi
china@lfspareparts.com
 -  **LF Spare Parts Ltd. UNITED KINGDOM**
A10a Lakeside Business Park, Broadway Lane
South Cerney, Gloucestershire GL7 5XL
Tel. +44 (0)1285 86 16 25
Fax +44 (0)1285 86 39 49
www.lfspareparts724.co.uk
www.lfspareparts724.mobi
info@lfspareparts.co.uk
-
-  **AUSTRALIA AND NEW ZEALAND**
www.lfspareparts724.com
andrea.calvio@lfspareparts.com
 -  **DENMARK**
www.lfspareparts724.dk
michael.lenth@lfspareparts.com
 -  **AUSTRIA**
www.lfspareparts724.at
ludwig.neier@lfersatzteile.at
 -  **SOUTH KOREA**
www.lfspareparts724.com
fabio.doni@lfspareparts.com
 -  **BALKAN COUNTRIES**
www.lfspareparts724.com
matija.ramov@lfspareparts.com
 -  **TURKEY**
www.lfyedekparca724.com
basar.ergun@lfyedekparca.com
 -  **BALTIC COUNTRIES**
www.lfspareparts724.com
inara.silina@lfspareparts.com
 -  **USA AND CANADA**
www.lfspareparts724.us
sauro.dallaglio@lfspareparts.us
howard.truitt@lfspareparts.us
 -  **CENTRAL AND EASTERN EUROPE**
www.lfspareparts724.cz
jiri.kremla@lfspareparts.cz